



US00D695731S

(12) **United States Design Patent**
Adami

(10) **Patent No.:** **US D695,731 S**

(45) **Date of Patent:** **** Dec. 17, 2013**

(54) **CELL PHONE CASE WITH MAGNIFYING LENS**

(71) Applicant: **Leslie Adami**, Killington, VT (US)

(72) Inventor: **Leslie Adami**, Killington, VT (US)

(**) Term: **14 Years**

(21) Appl. No.: **29/454,055**

(22) Filed: **May 6, 2013**

(51) **LOC (9) Cl.** **14-03**

(52) **U.S. Cl.**
USPC **D14/250**

(58) **Field of Classification Search**
USPC D14/250–253, 440, 203.3–203.7, 217,
D14/496, 248, 238.1, 240, 447, 341–347,
D14/444; D13/103, 107–108, 119; D3/201,
D3/218, 247, 269, 273, 301, 303;
248/309.1, 371, 176.3, 668;
361/679.56, 679.3, 679.25, 816;
379/426, 433.11, 455; 455/575.1,
455/575.8; 206/305, 320; 320/108, 115;
429/96; 220/4.02; 150/165

See application file for complete search history.

(56) **References Cited**

U.S. PATENT DOCUMENTS

D85,791 S *	12/1931	Teague	D16/135
D172,723 S *	7/1954	Polk	D16/135
D172,724 S *	7/1954	Polk	D16/135
5,130,853 A *	7/1992	Sakurai	359/803
D394,272 S *	5/1998	Hon	D16/135
D416,948 S *	11/1999	Soga	D21/330
6,389,268 B1 *	5/2002	Snyder	455/90.1
D460,495 S *	7/2002	Naghi et al.	D21/333
D499,091 S *	11/2004	Taylor et al.	D14/252
D553,273 S *	10/2007	Jim	D26/37
D561,217 S *	2/2008	Young	D16/135
D589,546 S *	3/2009	Levine	D16/135
D594,496 S *	6/2009	Jim	D16/135
D597,114 S *	7/2009	Yip et al.	D16/135
D623,180 S *	9/2010	Diebel	D14/250

D634,762 S *	3/2011	Levine	D16/135
D637,592 S *	5/2011	Magness et al.	D14/250
D651,204 S *	12/2011	Wibby et al.	D14/250
D663,339 S *	7/2012	Farenski	D16/135
D668,700 S *	10/2012	Jim	D16/135
D673,554 S *	1/2013	Simmer	D14/250
D676,845 S *	2/2013	Melanson et al.	D14/250
D678,869 S *	3/2013	Diebel	D14/250
D680,107 S *	4/2013	Piedra et al.	D14/250
D686,605 S *	7/2013	Palmeri	D14/250

* cited by examiner

Primary Examiner — Carla Jobe Wright

(74) *Attorney, Agent, or Firm* — Alan Coté; Green Mountain Innovations

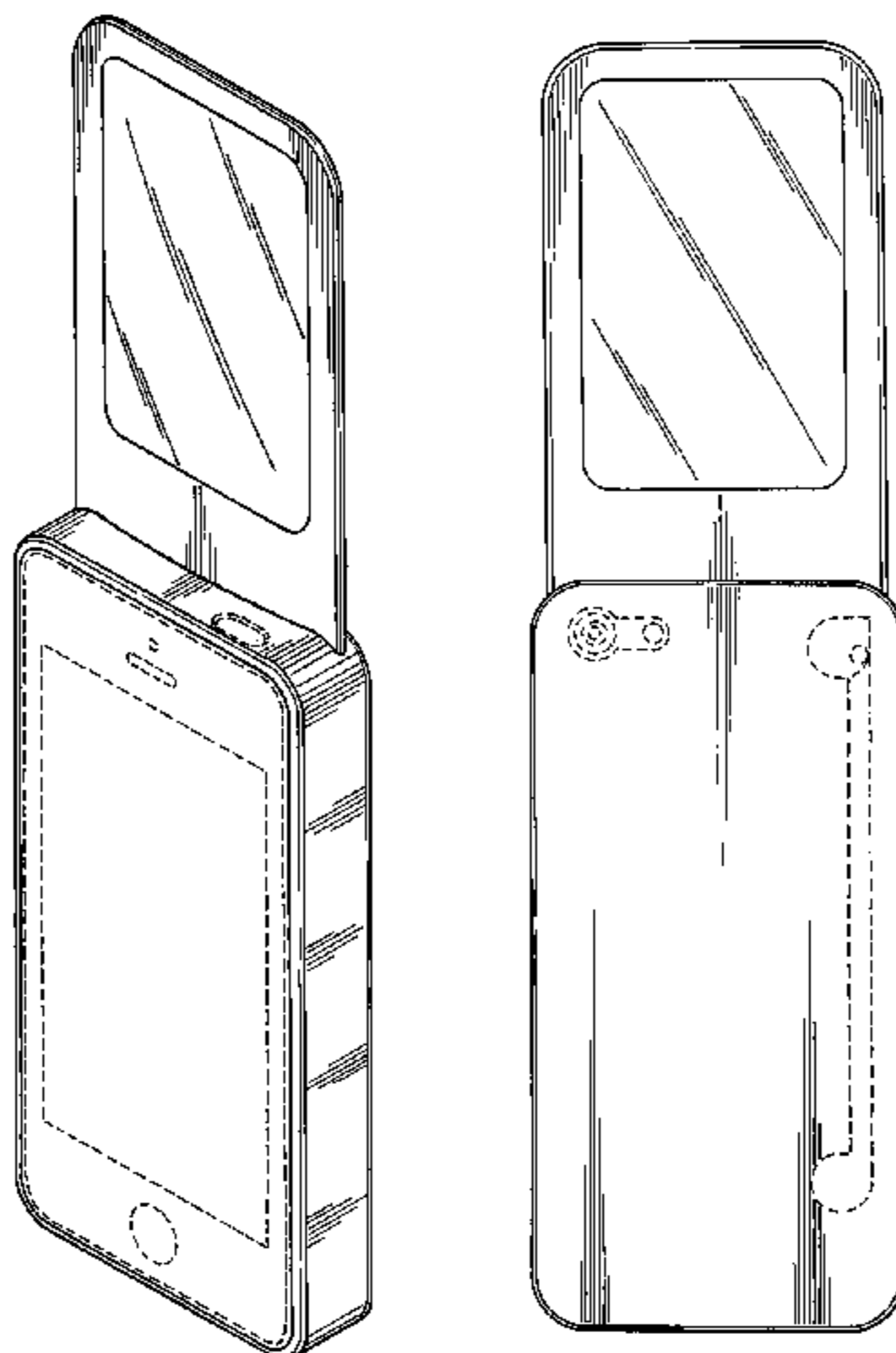
(57) **CLAIM**

I claim the ornamental design for cell phone case with magnifying lens, as shown and described.

DESCRIPTION

FIG. 1 is a top, front, right side perspective view of the cell phone case with the magnifier lens in an extended position. FIG. 2 is a front elevational view thereof. FIG. 3 is a rear elevational view thereof. FIG. 4 is a left side elevational view thereof. FIG. 5 is a right side elevational view thereof. FIG. 6 is a top plan view thereof. FIG. 7 is a bottom plan view thereof. FIG. 8 is a top, front, right side perspective view of the cell phone case with the magnifier lens in a retracted position. FIG. 9 is a front elevational view thereof. FIG. 10 is a rear elevational view thereof. FIG. 11 is a left side elevational view thereof; and, FIG. 12 is a right side elevational view thereof. The top plan view thereof is identical to FIG. 6, the bottom plan view thereof is identical to FIG. 7. The broken lines immediately adjacent the claimed surfaces represent boundaries of the claimed design. All other broken lines depict unclaimed environment. The broken lines form no part of the claimed design.

1 Claim, 5 Drawing Sheets



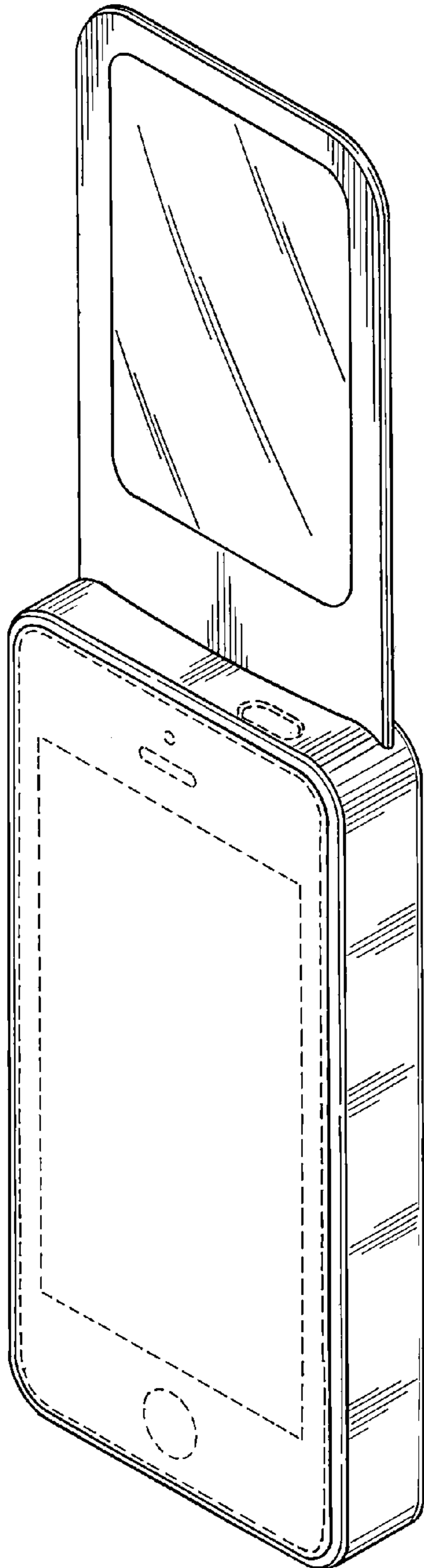


Fig. 1

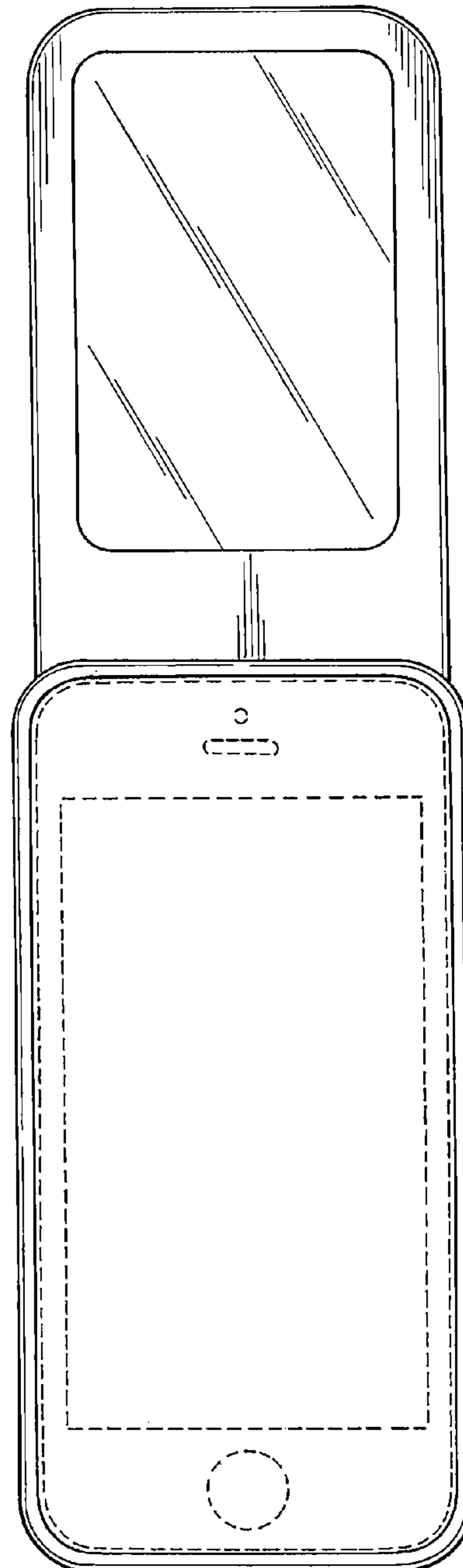


Fig. 2

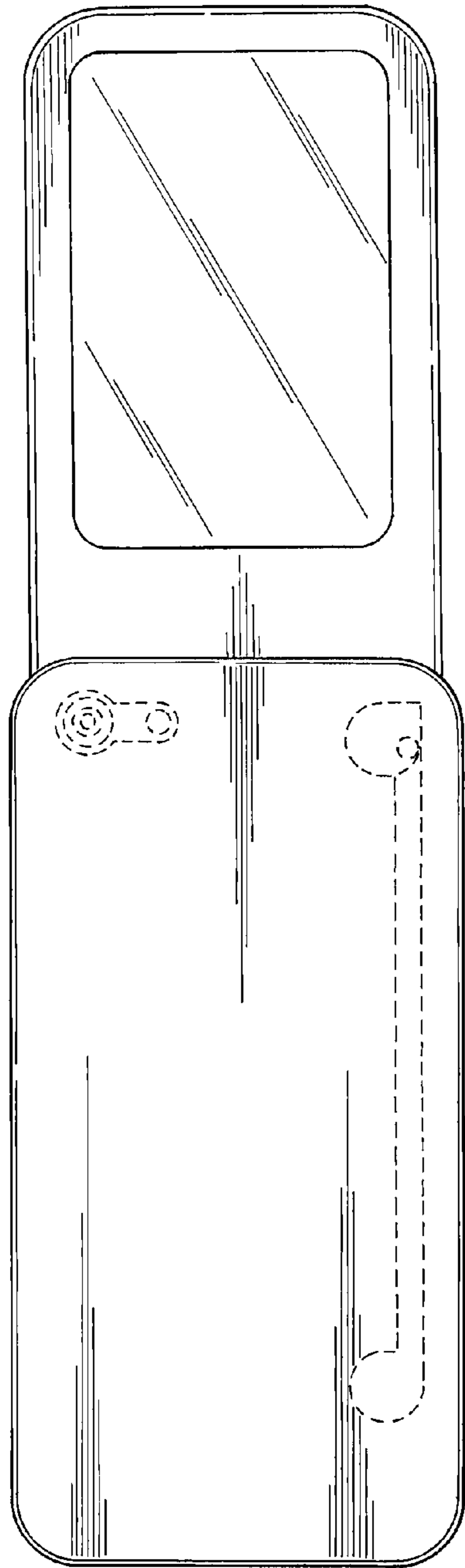


Fig. 3

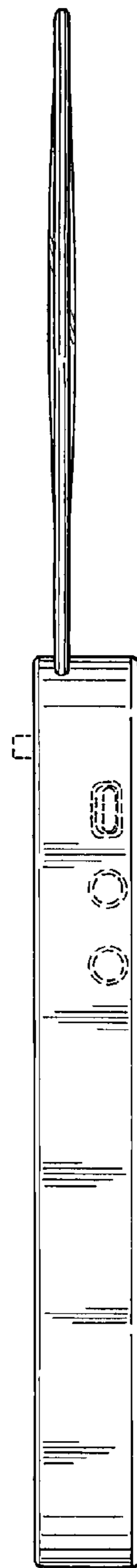


Fig. 4

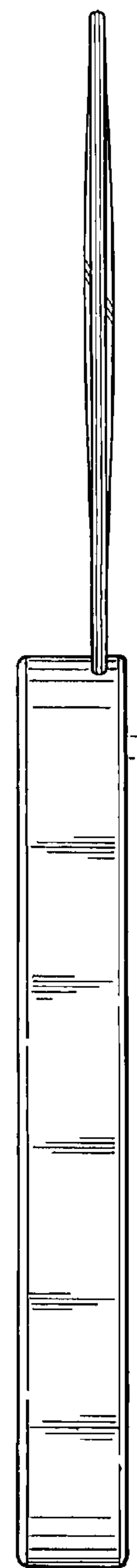


Fig. 5

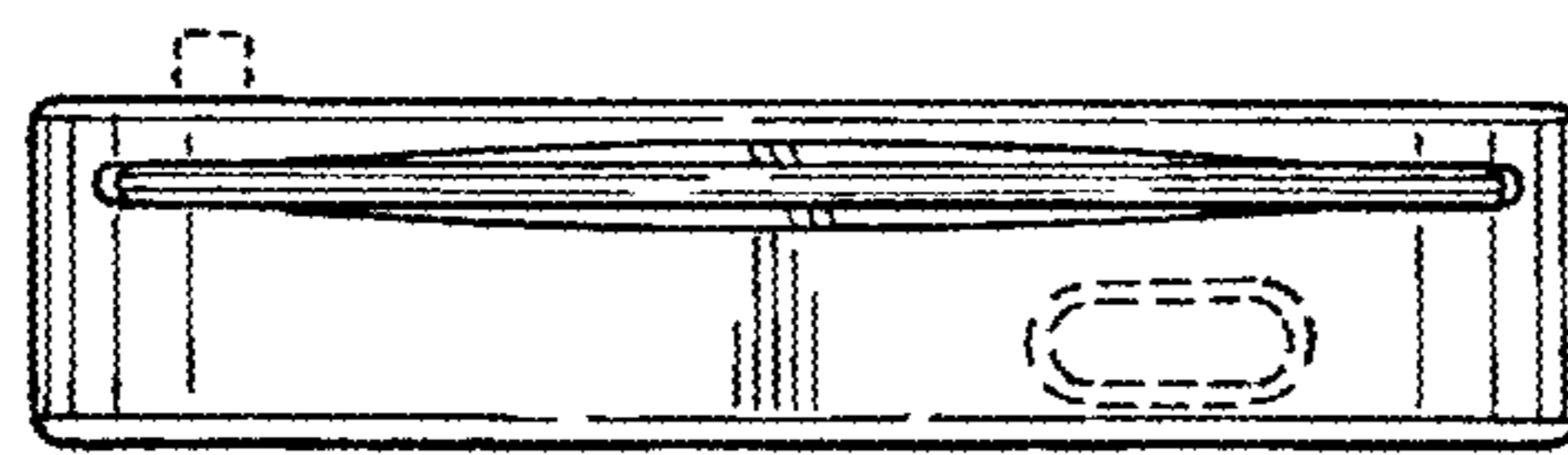


Fig. 6

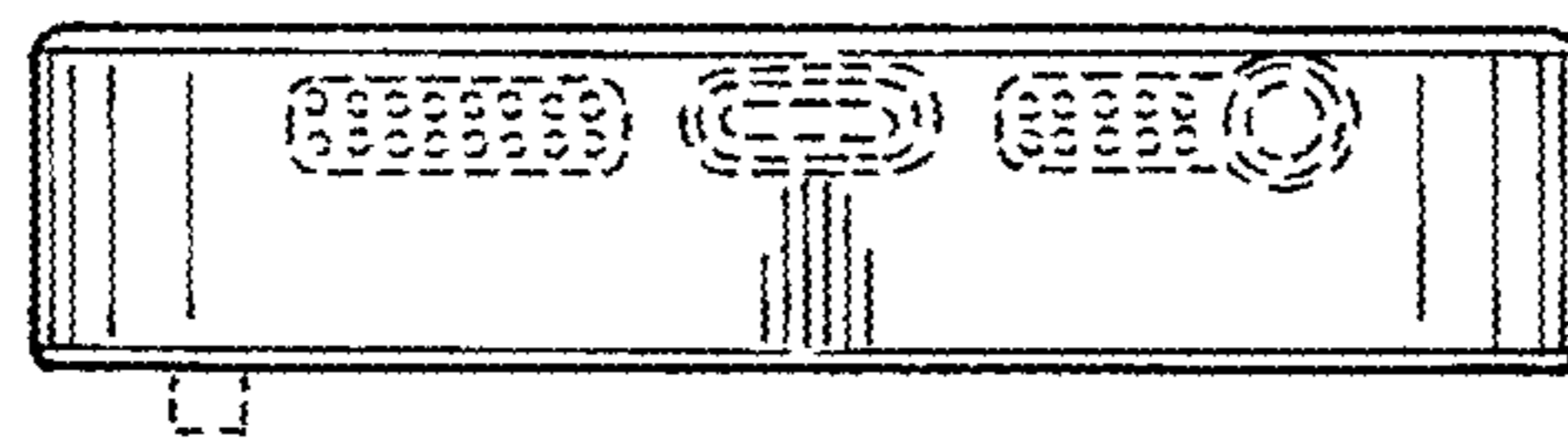


Fig. 7

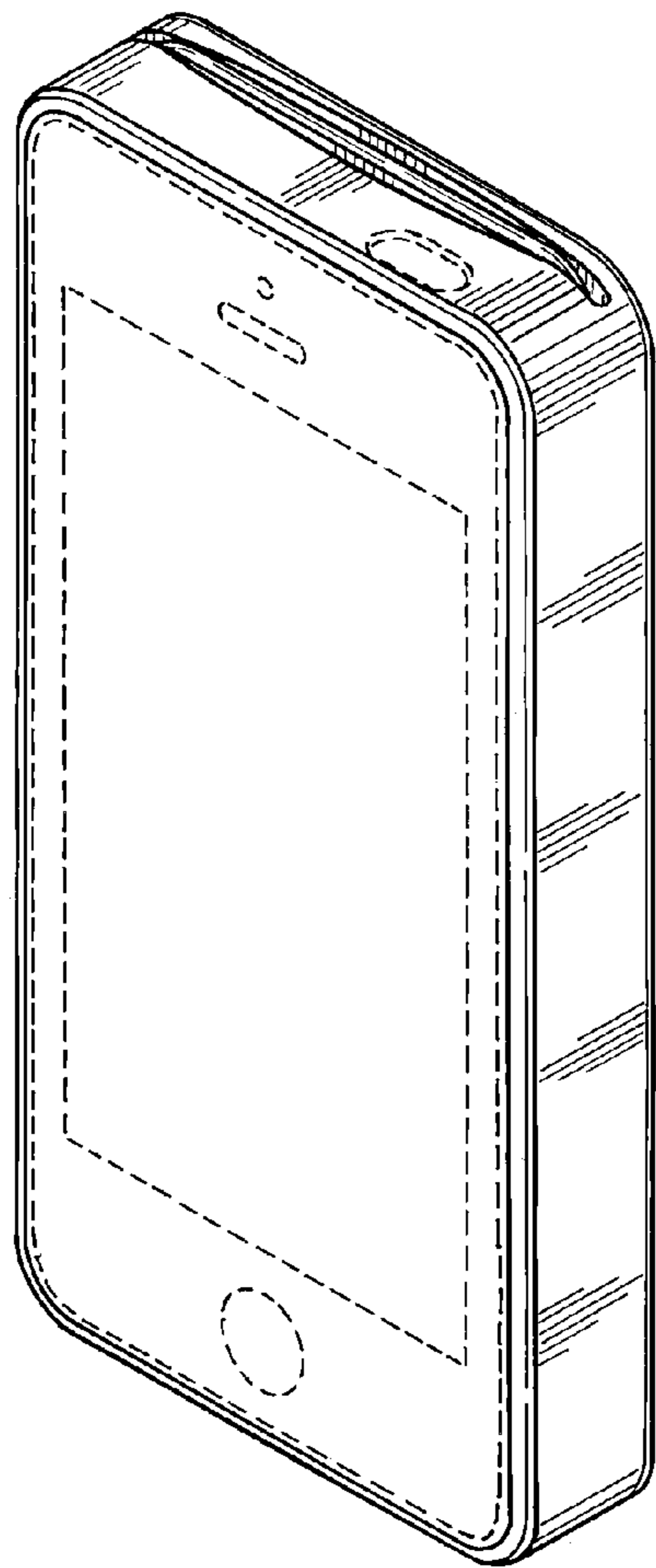


Fig. 8

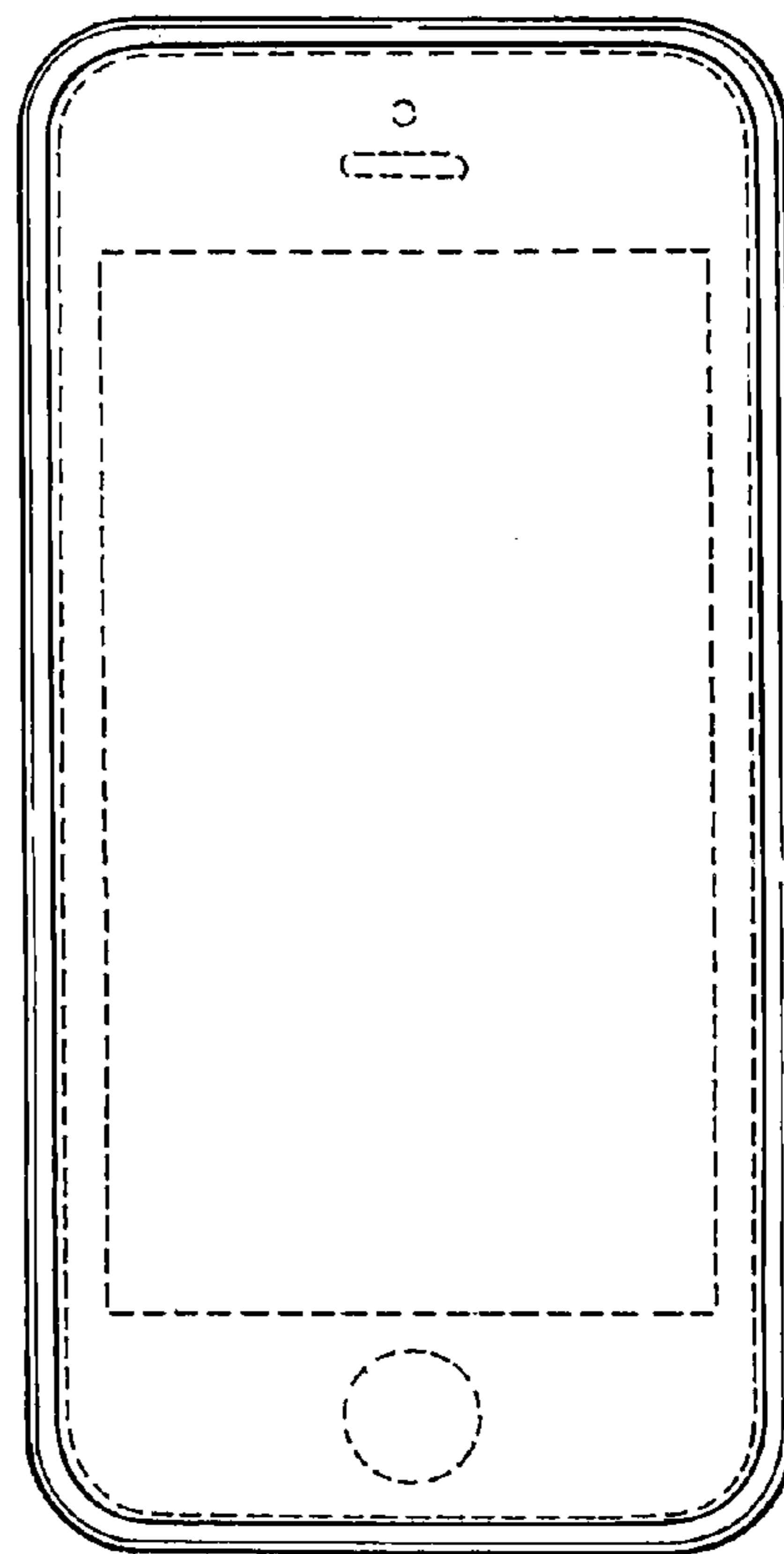


Fig. 9

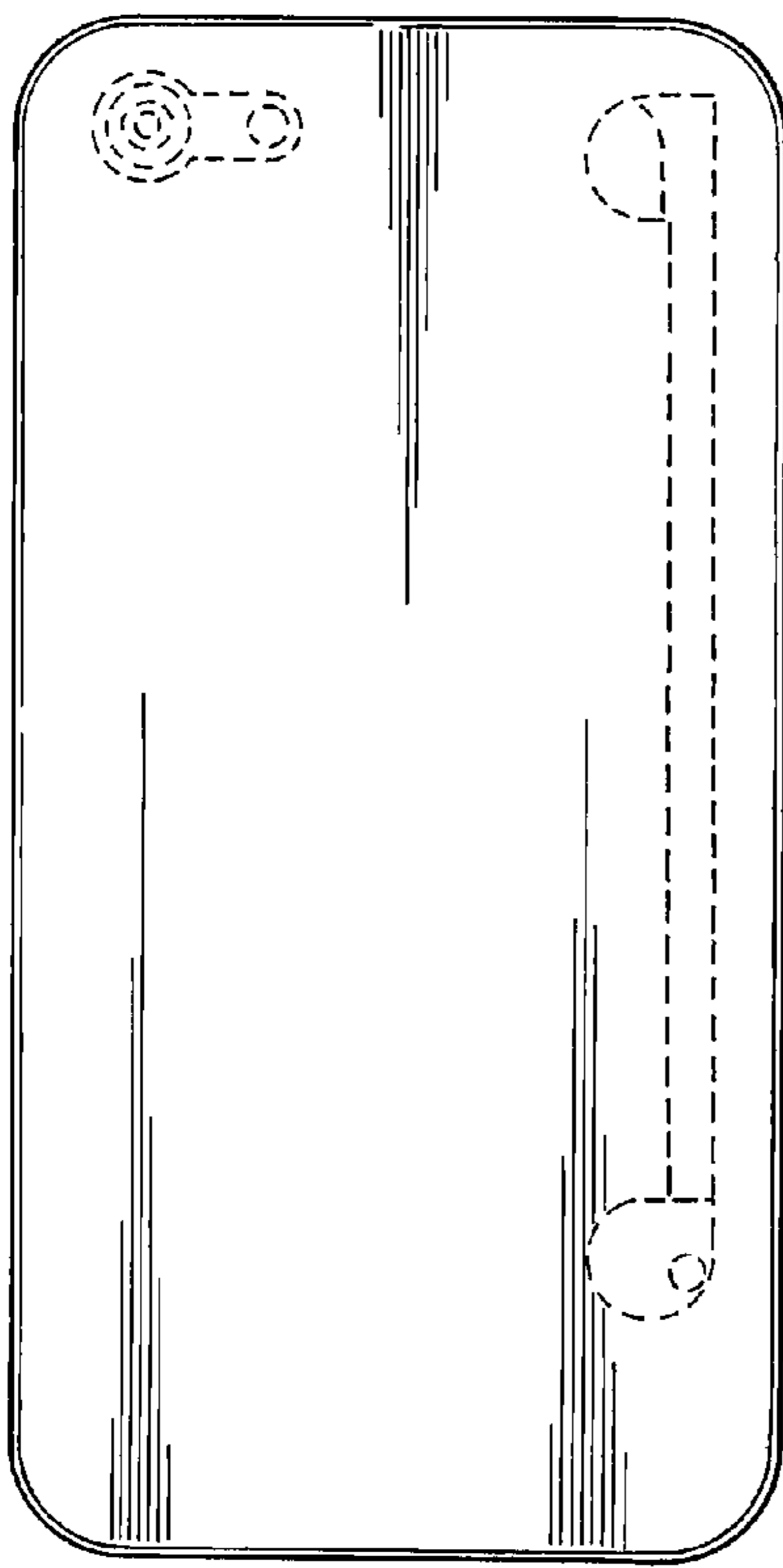


Fig. 10

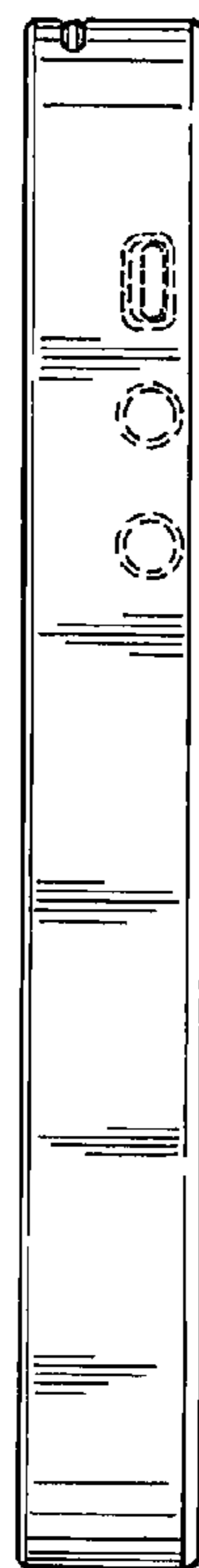


Fig. 11

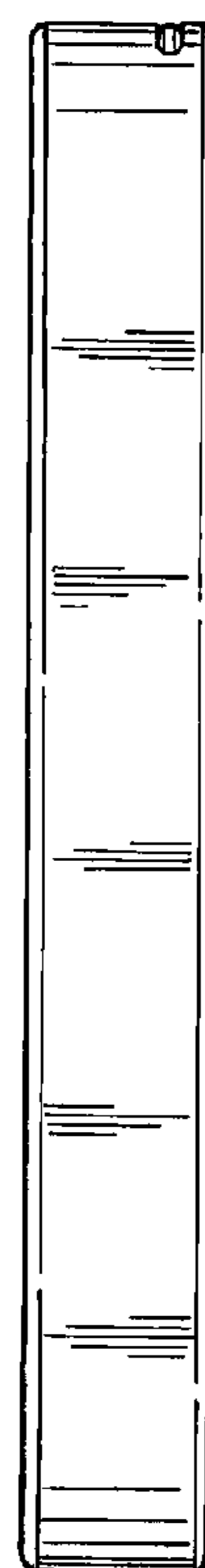


Fig. 12