

US00D695727S

(12) **United States Design Patent**
Shimizu

(10) **Patent No.:** **US D695,727 S**

(45) **Date of Patent:** **** Dec. 17, 2013**

(54) **NETWORK DEVICE**

(75) Inventor: **Akari Shimizu**, Osaka (JP)

(73) Assignee: **Funai Electric Co., Ltd.**, Osaka (JP)

(**) Term: **14 Years**

(21) Appl. No.: **29/382,372**

(22) Filed: **Jan. 3, 2011**

(51) **LOC (9) Cl.** **14-03**

(52) **U.S. Cl.**
USPC **D14/240**

(58) **Field of Classification Search**
USPC D14/300–302, 313, 314, 341, 348–370,
D14/383, 385, 432, 435, 436, 496, 125, 135,
D14/137, 155, 240–242, 299; D3/201, 273;
361/679.31, 679.33, 679.4, 752;
711/100, 115

See application file for complete search history.

(56) **References Cited**

U.S. PATENT DOCUMENTS

D595,736 S *	7/2009	Son et al.	D14/502
D626,099 S *	10/2010	Huang	D14/125
D635,940 S *	4/2011	Cho et al.	D14/125
D641,740 S *	7/2011	Jeon et al.	D14/240

D644,222 S *	8/2011	Woo et al.	D14/365
D646,272 S *	10/2011	Woo et al.	D14/365
D651,993 S *	1/2012	Cheng	D14/125
D651,994 S *	1/2012	Lundbom et al.	D14/125
D666,563 S *	9/2012	Lee	D14/125

* cited by examiner

Primary Examiner — Ian Simmons

Assistant Examiner — Charles Hanson

(74) *Attorney, Agent, or Firm* — Sughrue Mion, PLLC

(57) **CLAIM**

The ornamental design for a network device, as shown and described.

DESCRIPTION

FIG. 1 is a perspective view of the top, front and right of a network device showing our new design;
 FIG. 2 is a front view thereof;
 FIG. 3 is a rear view thereof;
 FIG. 4 is a top plan view thereof;
 FIG. 5 is a bottom view thereof;
 FIG. 6 is a left side view thereof; and,
 FIG. 7 is a right side view thereof.
 Broken lines are used to show portions of the network device that are not being claimed, and thus form no part of the claimed invention.

1 Claim, 5 Drawing Sheets

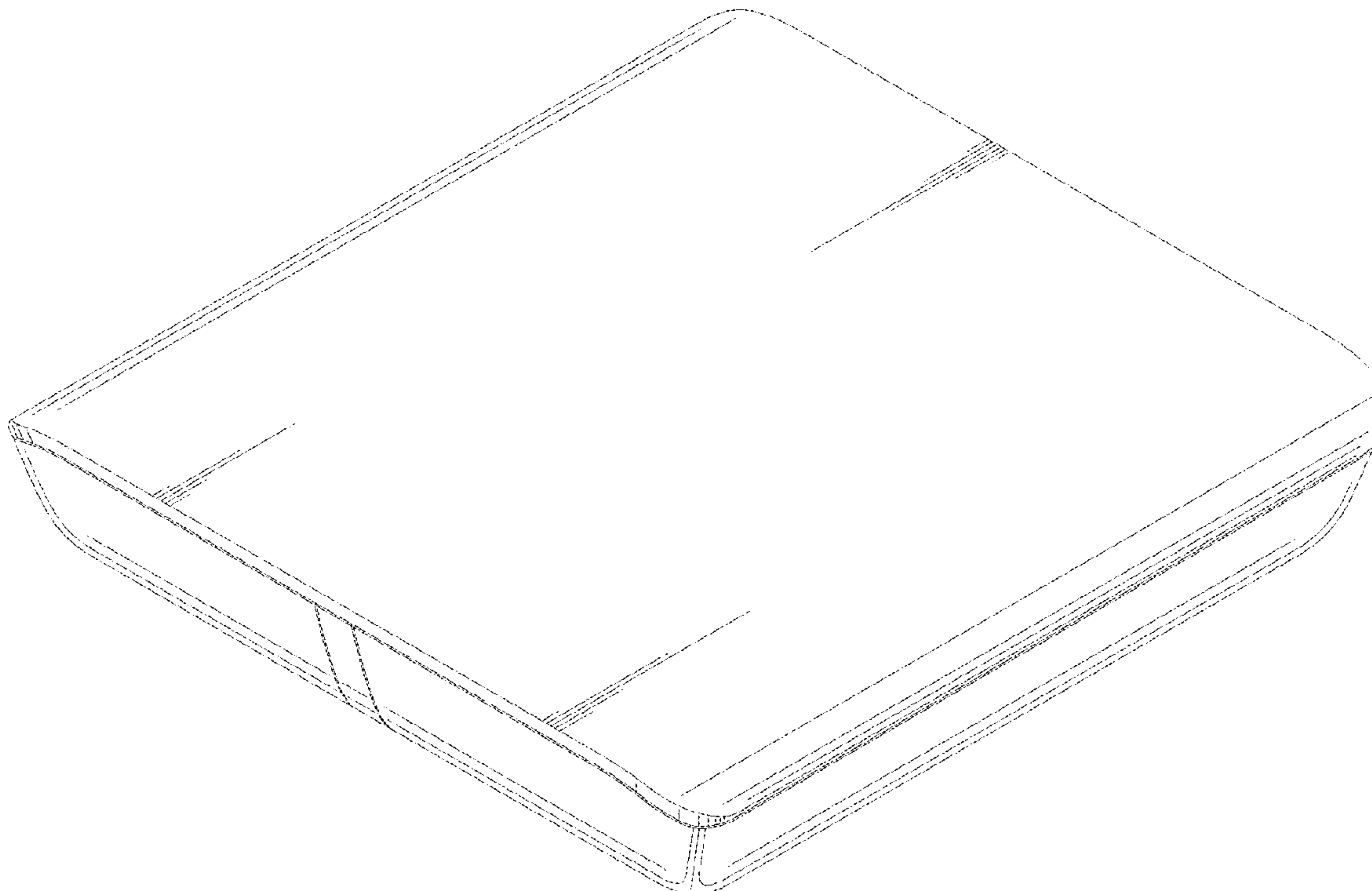


Fig. 1

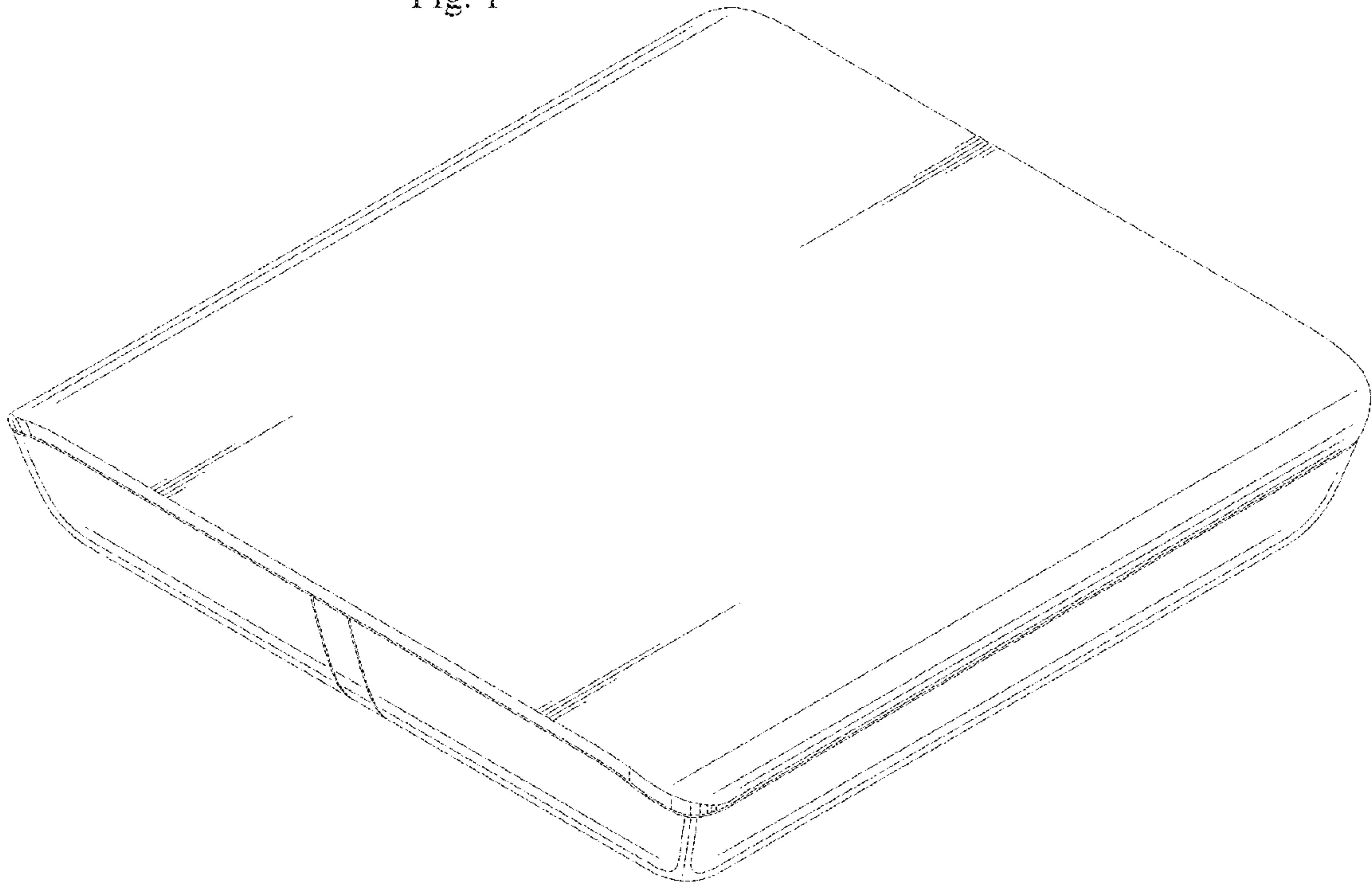


Fig. 2

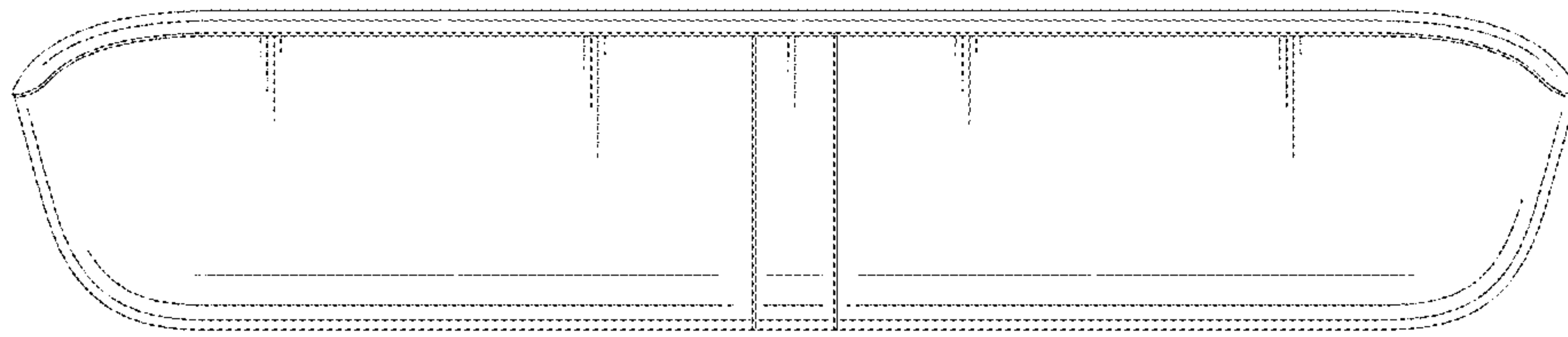


Fig. 3

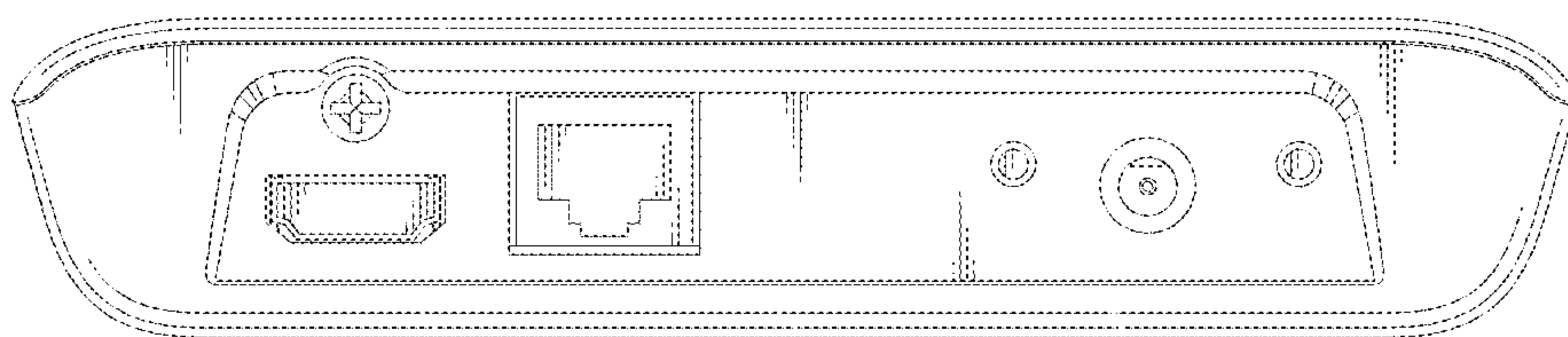


Fig. 4

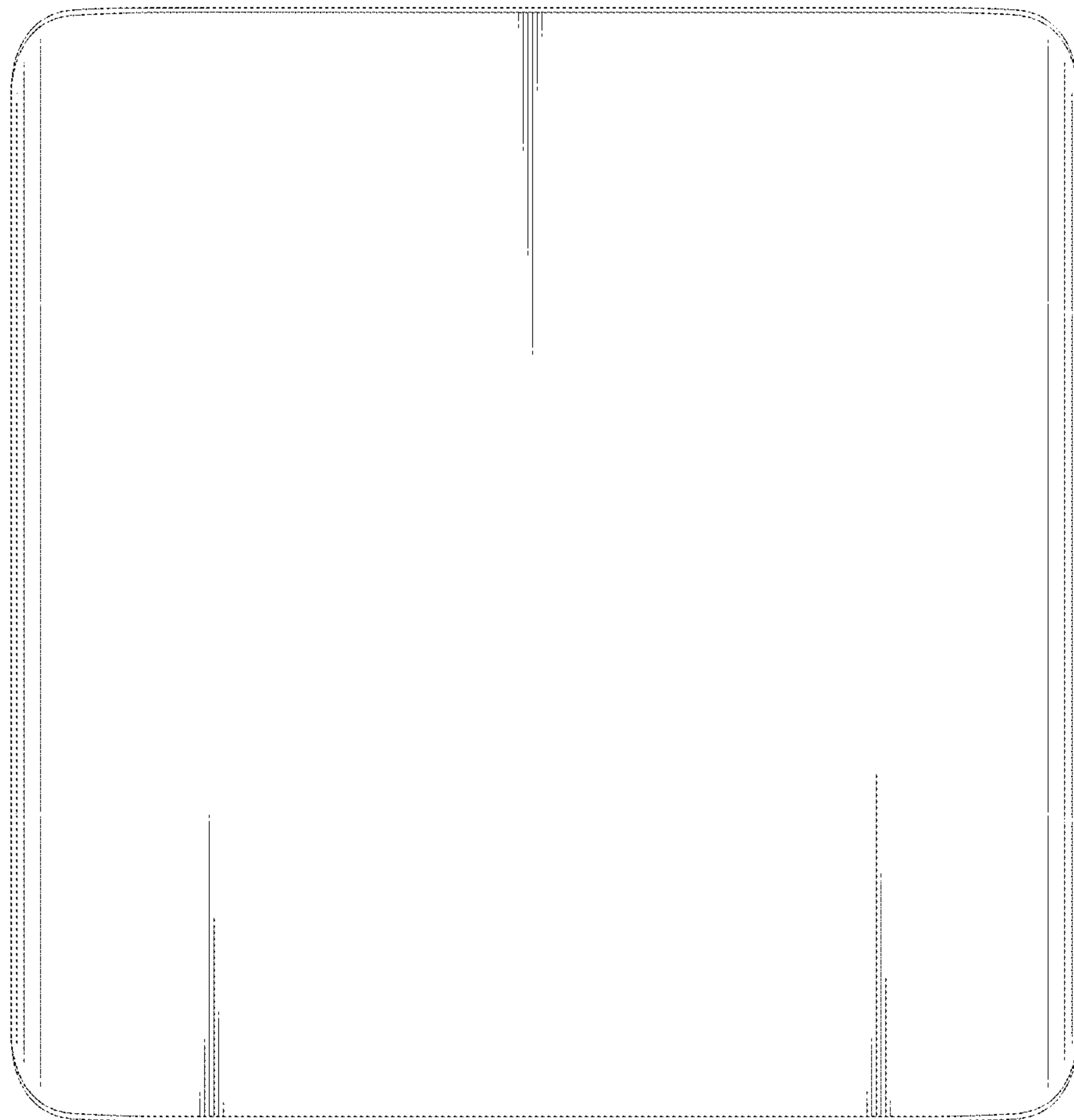


Fig. 5

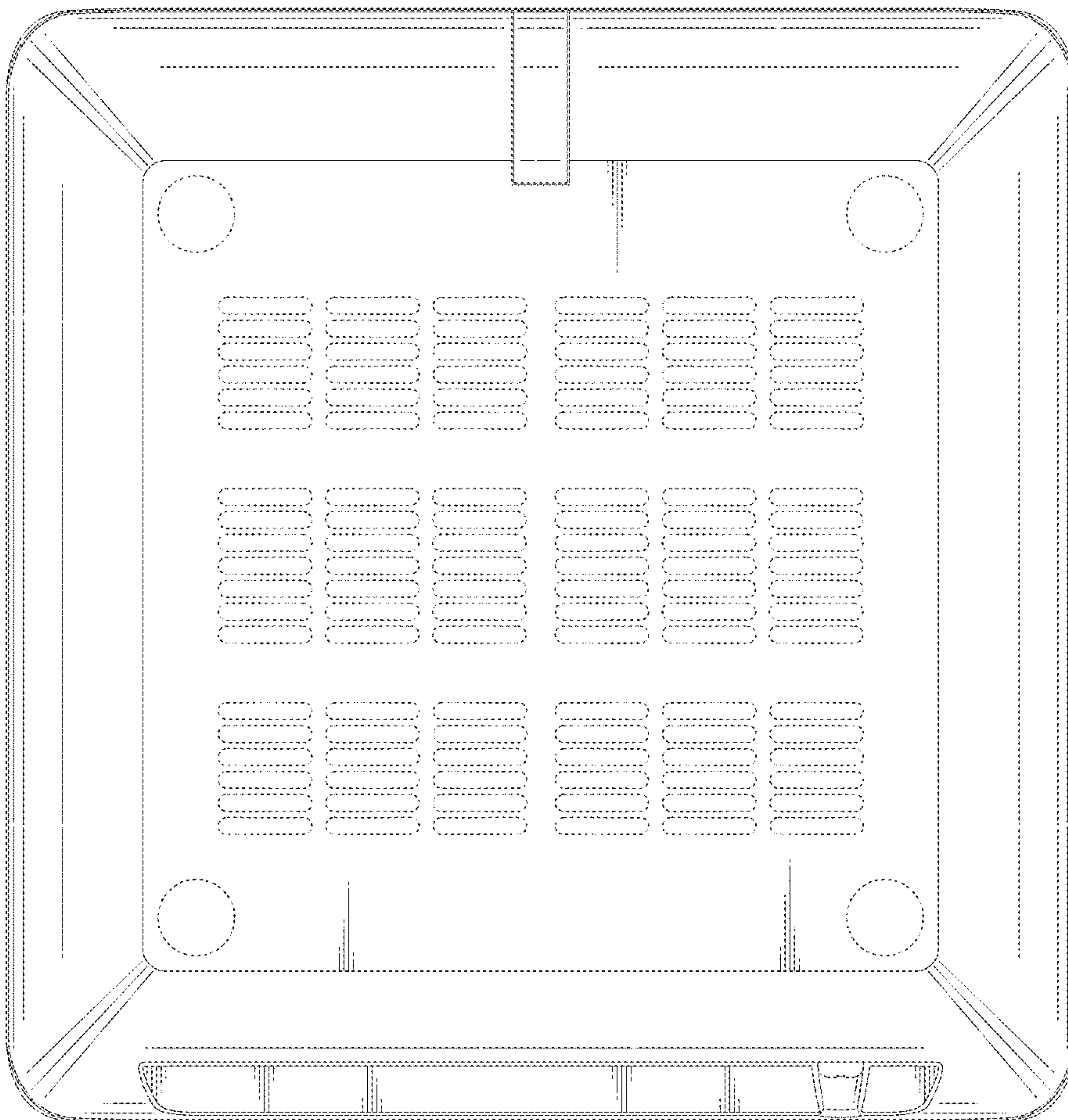


Fig. 6

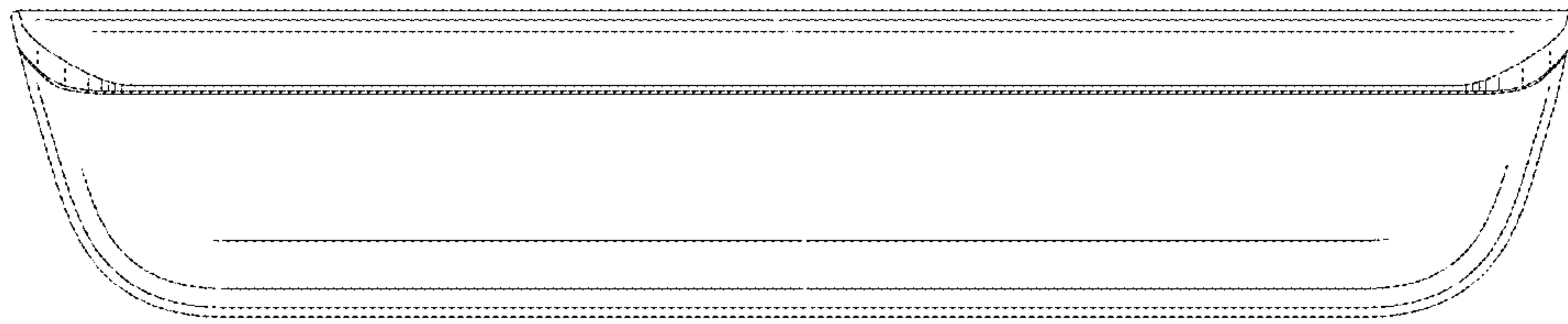


Fig. 7

