



US00D695726S

(12) **United States Design Patent**
Balloch et al.

(10) **Patent No.:** **US D695,726 S**
(45) **Date of Patent:** **** Dec. 17, 2013**

(54) **COMMUNICATIONS APPLIANCE**
(75) Inventors: **David Alexander Balloch**, Glenageary (IE); **Christopher Murphy**, Summerhill (IE); **Martin James Bruggemann**, Chapelizod (IE)

(73) Assignee: **Mitel Networks Corporation**, Ottawa, Ontario (CA)

(**) Term: **14 Years**

(21) Appl. No.: **29/372,682**

(22) Filed: **Dec. 22, 2010**

(51) **LOC (9) Cl.** **14-03**

(52) **U.S. Cl.**
USPC **D14/240**

(58) **Field of Classification Search**
USPC D14/300-302, 313, 314, 341, 348-370, D14/383, 385, 432, 435, 436, 496, 125, 135, D14/137, 155, 240-242, 299; D3/201, 273; 361/679.31, 679.33, 679.4, 752; 711/100, 115

See application file for complete search history.

(56) **References Cited**

U.S. PATENT DOCUMENTS

D424,028 S * 5/2000 Vaiani D13/184
7,174,445 B2 * 2/2007 Estakhri et al. 713/1
D575,775 S * 8/2008 Sekine D14/242

D642,165 S * 7/2011 Kyriakides et al. D14/240
D658,647 S * 5/2012 Tsai D14/356
D674,785 S * 1/2013 Kyriakides, II D14/240

* cited by examiner

Primary Examiner — Ian Simmons

Assistant Examiner — Charles Hanson

(57) **CLAIM**

The ornamental design for a communications appliance, as shown and described.

DESCRIPTION

FIG. 1 is a top view of a communications appliance of our new design;

FIG. 2 is a bottom view of FIG. 1;

FIG. 3 is a left side view of FIG. 1;

FIG. 4 is a right side view of FIG. 1;

FIG. 5 is a back view of FIG. 1;

FIG. 6 is a front view of FIG. 1;

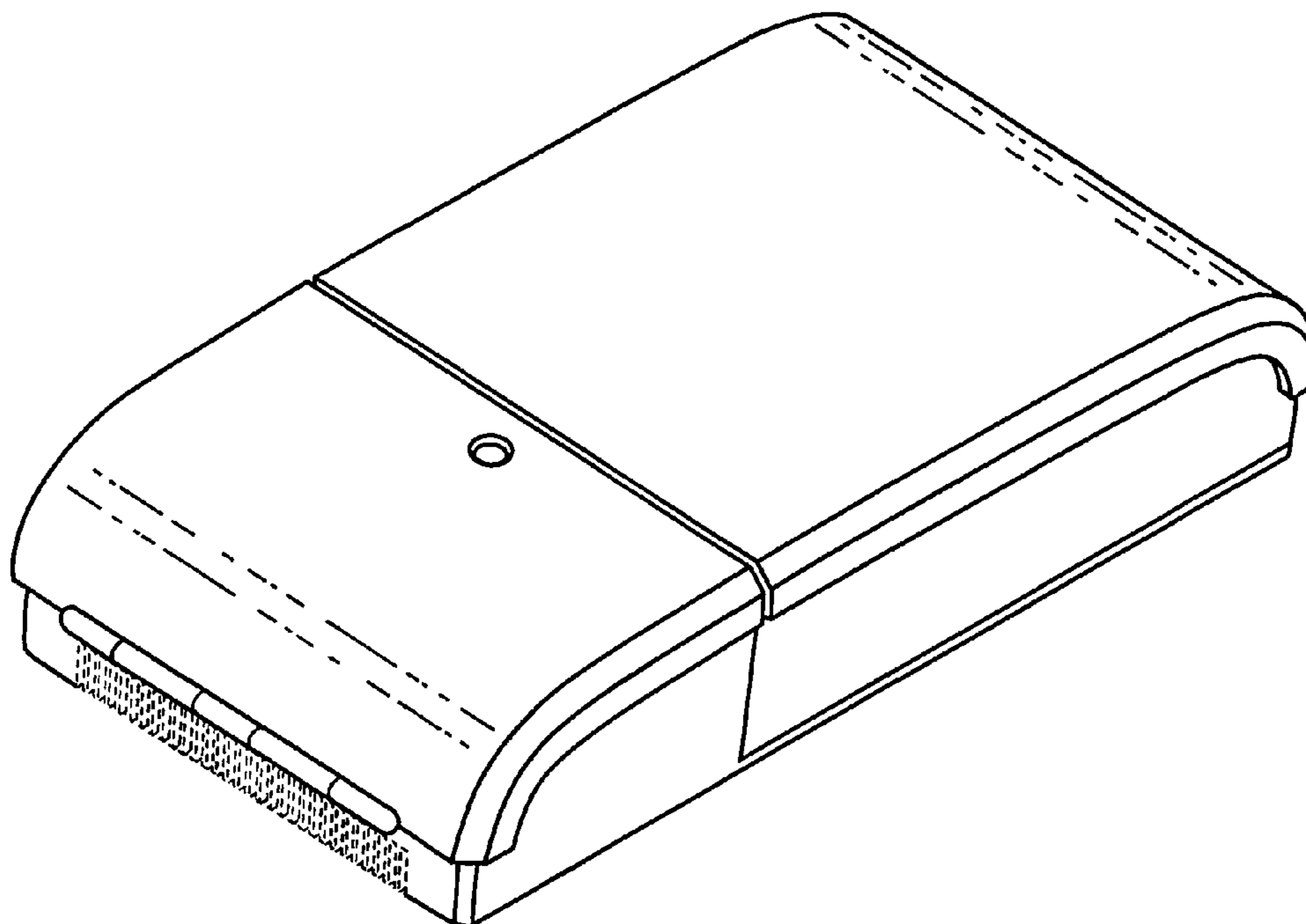
FIG. 7 is a right side, top and front perspective view of FIG. 1;

FIG. 8 is a right side, top and front perspective view of FIG. 1 with the housing open; and,

FIG. 9 is a right side, top and back perspective view of a communications appliance of our new design shown in an alternative environmental use.

The broken lines are for illustrative purposes only and form no part of the claimed design.

1 Claim, 5 Drawing Sheets



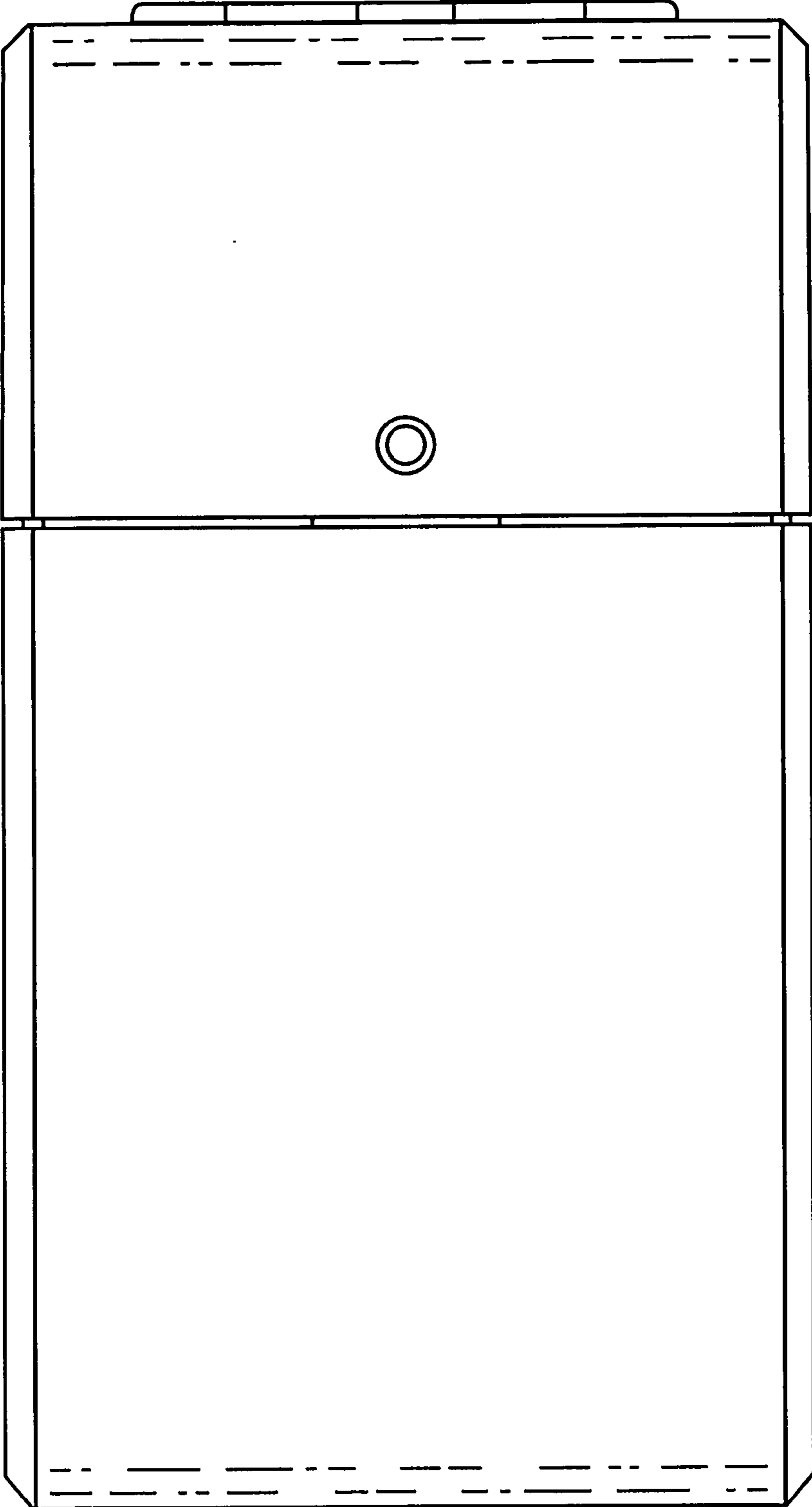


Fig. 1

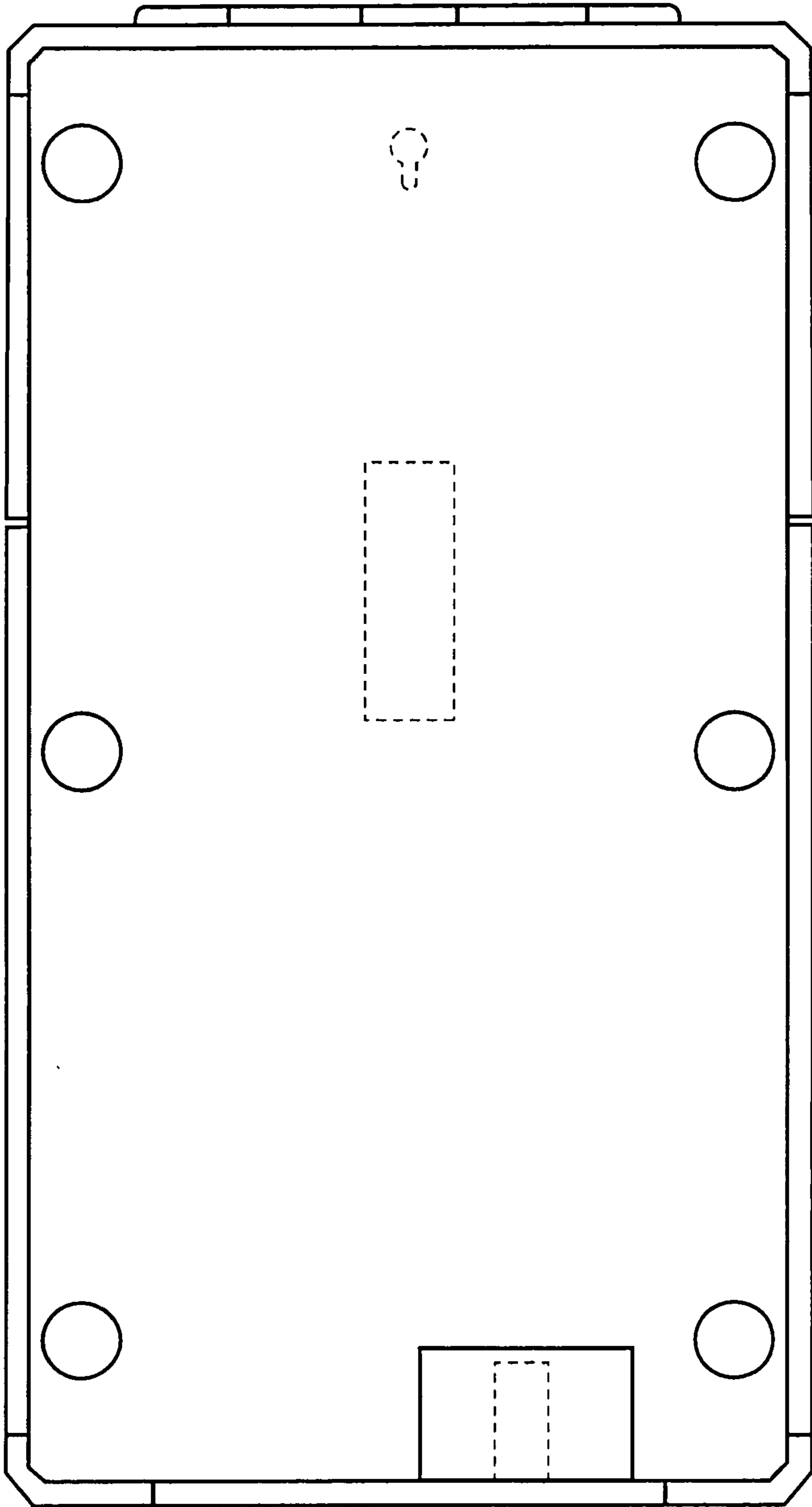


Fig. 2

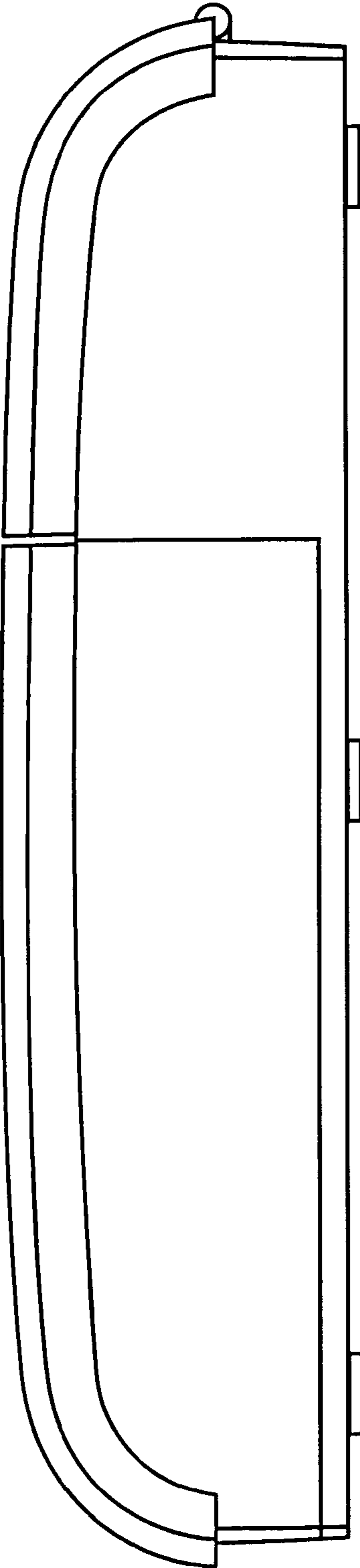


Fig. 3

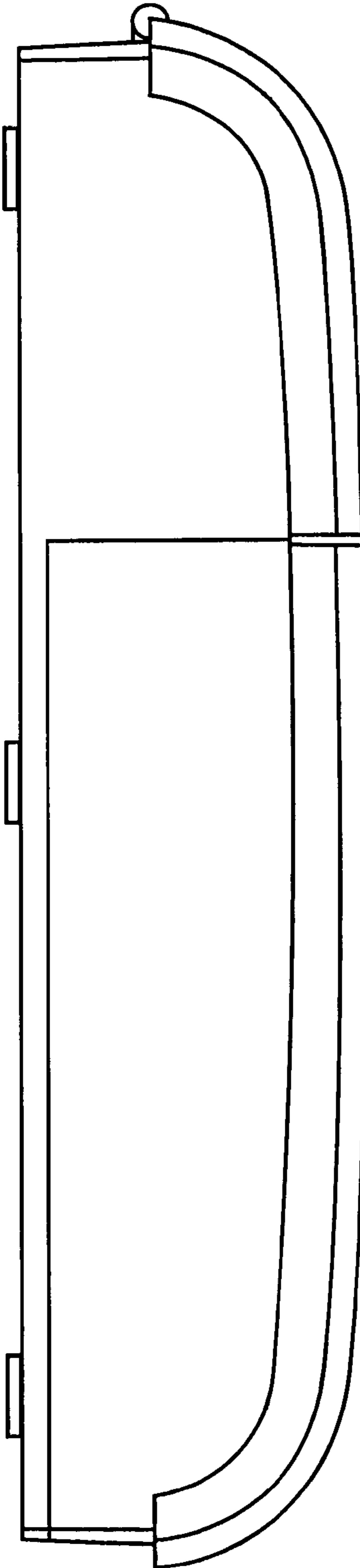


Fig. 4

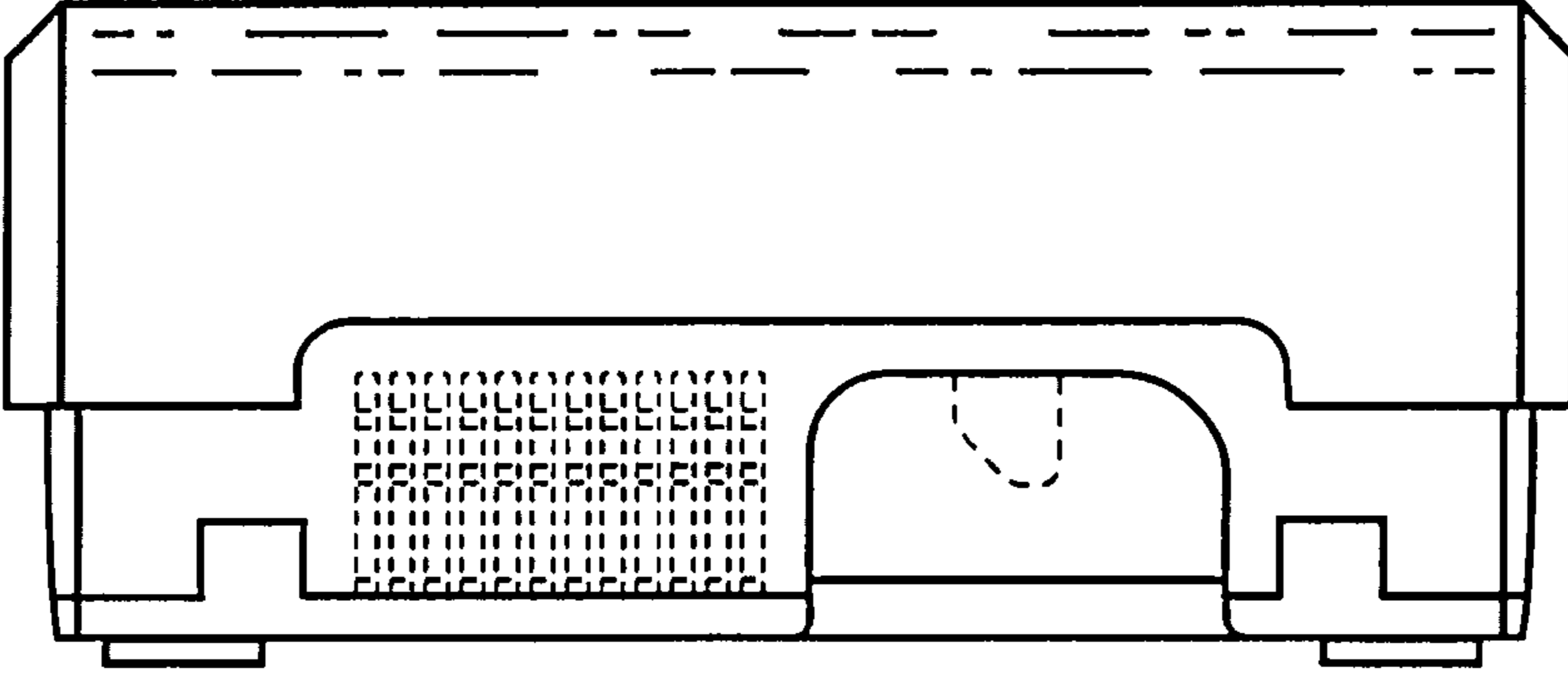


Fig. 5

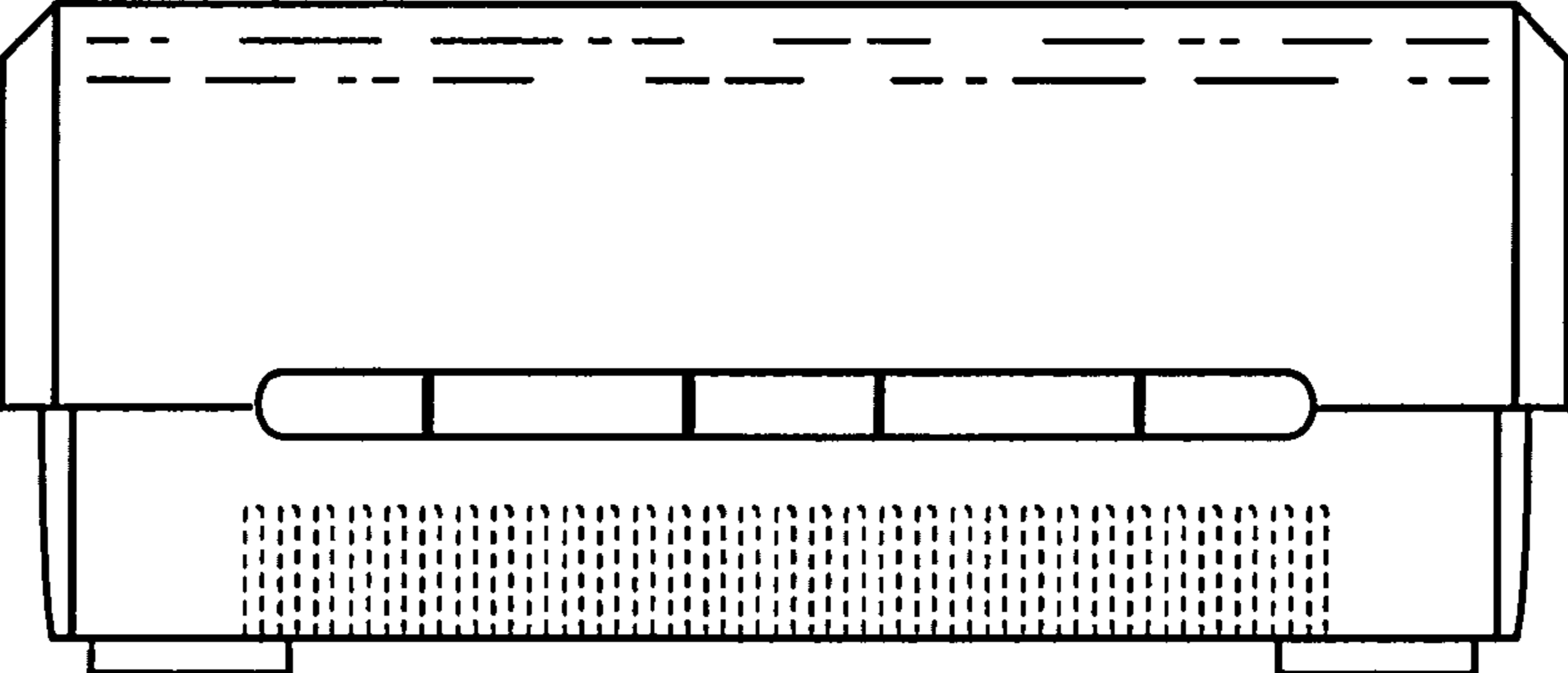


Fig. 6

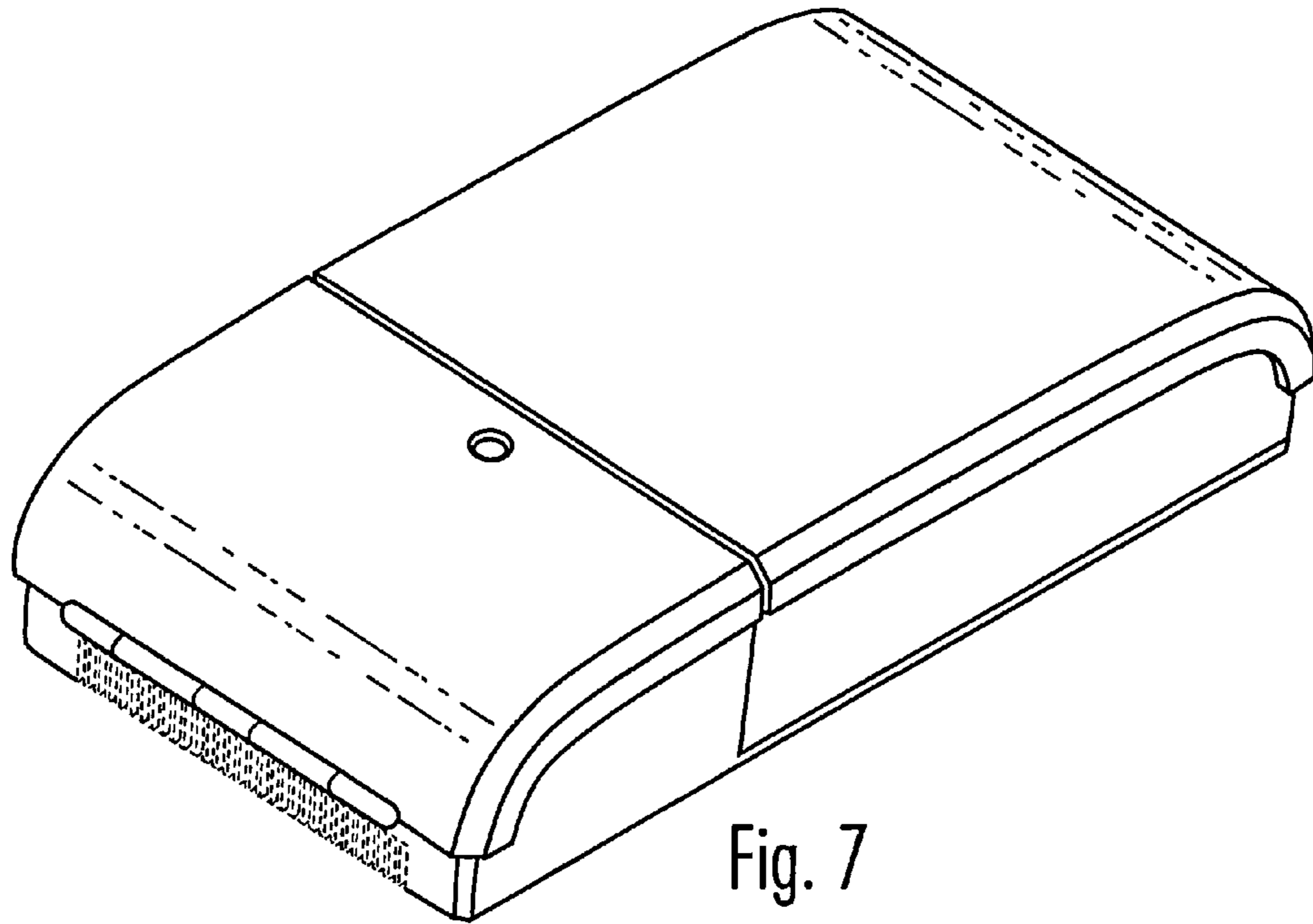


Fig. 7

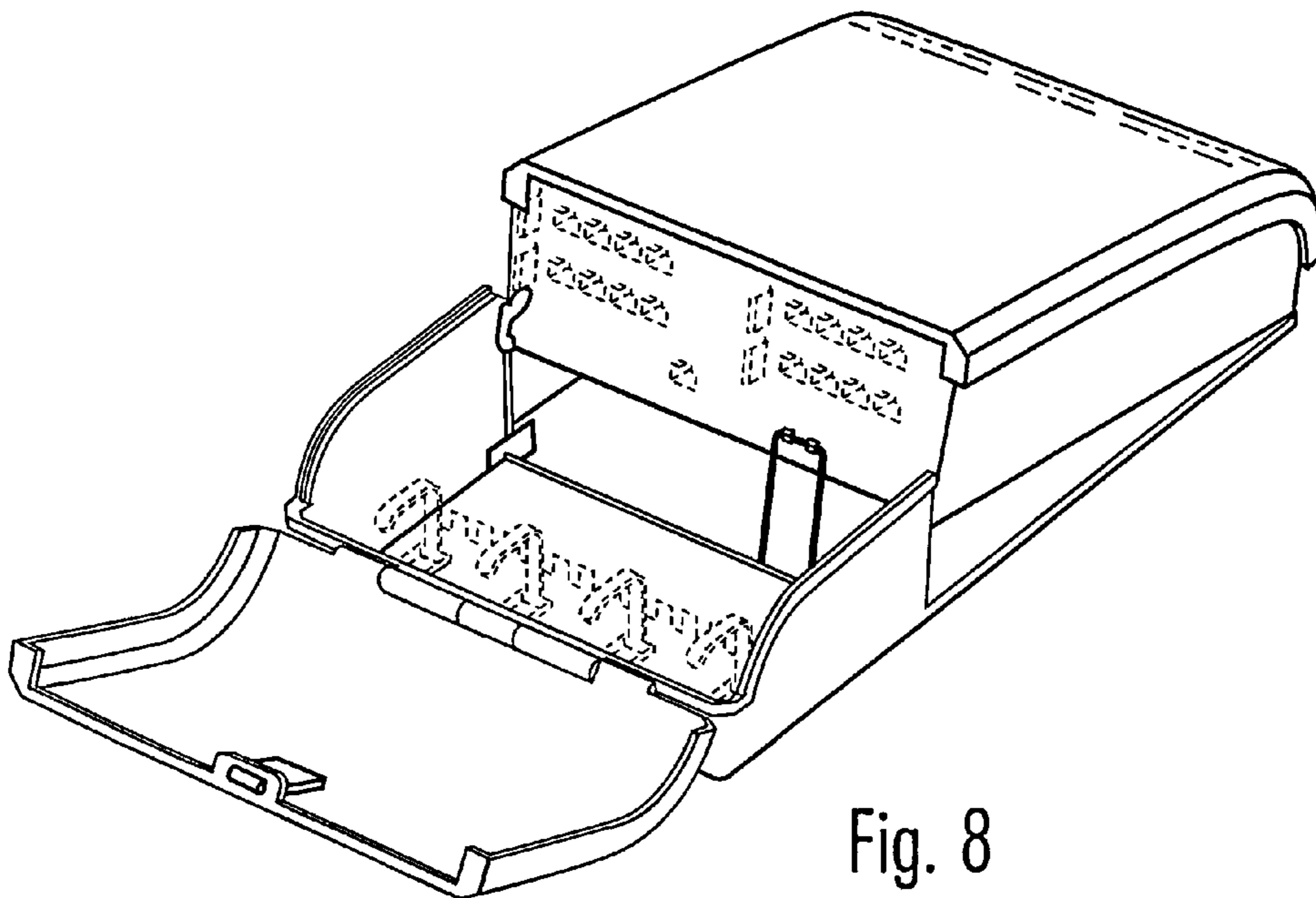


Fig. 8