

US00D695724S

(12) **United States Design Patent**  
**Ishikura**

(10) **Patent No.:** **US D695,724 S**  
(45) **Date of Patent:** **\*\* Dec. 17, 2013**

(54) **EARPHONE**

(71) Applicant: **Panasonic Corporation**, Osaka (JP)

(72) Inventor: **Mikiyasu Ishikura**, Osaka (JP)

(73) Assignee: **Panasonic Corporation**, Osaka (JP)

(\*\*) Term: **14 Years**

(21) Appl. No.: **29/437,658**

(22) Filed: **Nov. 20, 2012**

(51) **LOC (9) Cl.** ..... **14-01**

(52) **U.S. Cl.**  
USPC ..... **D14/223**

(58) **Field of Classification Search**  
USPC ..... D14/205, 223; 181/129, 130, 135;  
379/430, 431; 381/372, 373, 370, 380,  
381/381; 455/90.3, 575.1  
See application file for complete search history.

(56) **References Cited**

**U.S. PATENT DOCUMENTS**

2,430,229	A	*	11/1947	Kelsey	.....	381/338
5,410,608	A	*	4/1995	Lucey et al.	.....	381/360
D431,553	S	*	10/2000	Suzuki	.....	D14/223
D487,077	S	*	2/2004	Obata	.....	D14/223
D539,268	S	*	3/2007	Suzuki	.....	D14/206
D554,627	S	*	11/2007	Gondo et al.	.....	D14/223
D555,152	S	*	11/2007	Wang	.....	D14/223
D567,217	S	*	4/2008	Kamo et al.	.....	D14/205
D572,703	S	*	7/2008	Ledbetter et al.	.....	D14/205
D573,978	S	*	7/2008	Ledbetter et al.	.....	D14/205
D587,681	S	*	3/2009	Yanai	.....	D14/205
D587,685	S	*	3/2009	Densho	.....	D14/206
D589,493	S	*	3/2009	Densho	.....	D14/206
D594,441	S	*	6/2009	Lee et al.	.....	D14/205
D598,894	S	*	8/2009	Masuda et al.	.....	D14/205
D599,778	S	*	9/2009	Ando	.....	D14/205
D605,636	S	*	12/2009	Yang	.....	D14/223
D606,971	S	*	12/2009	Christopher et al.	.....	D14/205
D623,171	S	*	9/2010	Chen et al.	.....	D14/223

D628,193	S	*	11/2010	Zheng	.....	D14/223
D637,181	S	*	5/2011	Fuller et al.	.....	D14/223
D639,282	S	*	6/2011	Ohuri et al.	.....	D14/223
D641,008	S	*	7/2011	Lee et al.	.....	D14/223
D643,416	S	*	8/2011	Chong et al.	.....	D14/223
D660,290	S	*	5/2012	Weedon	.....	D14/223
D663,291	S	*	7/2012	Gondo	.....	D14/223
D673,532	S	*	1/2013	Lee	.....	D14/223
D679,267	S	*	4/2013	Lee et al.	.....	D14/223
8,422,717	B2	*	4/2013	Lin et al.	.....	381/372
D683,332	S	*	5/2013	Lee et al.	.....	D14/223
D686,597	S	*	7/2013	Lee et al.	.....	D14/223

**FOREIGN PATENT DOCUMENTS**

JP	D1352185	3/2009
JP	D1436535	3/2012

\* cited by examiner

*Primary Examiner* — Paula Greene

(74) *Attorney, Agent, or Firm* — Panasonic Patent Center

(57) **CLAIM**

I claim the ornamental design for an earphone, as shown described.

**DESCRIPTION**

FIG. 1 is a front perspective view of an earphone of the present invention;  
FIG. 2 is a front view thereof;  
FIG. 3 is a rear view thereof;  
FIG. 4 is a first side view thereof;  
FIG. 5 is a second side view thereof;  
FIG. 6 is a top view thereof;  
FIG. 7 is a bottom view thereof; and,  
FIG. 8 is a rear perspective view thereof.  
The broken line showing of earphone is included for the purpose of illustrating environment and forms no part of the claimed design. Additionally, the unevenly broken lines in the drawings define the limits of the claimed design.

**1 Claim, 8 Drawing Sheets**

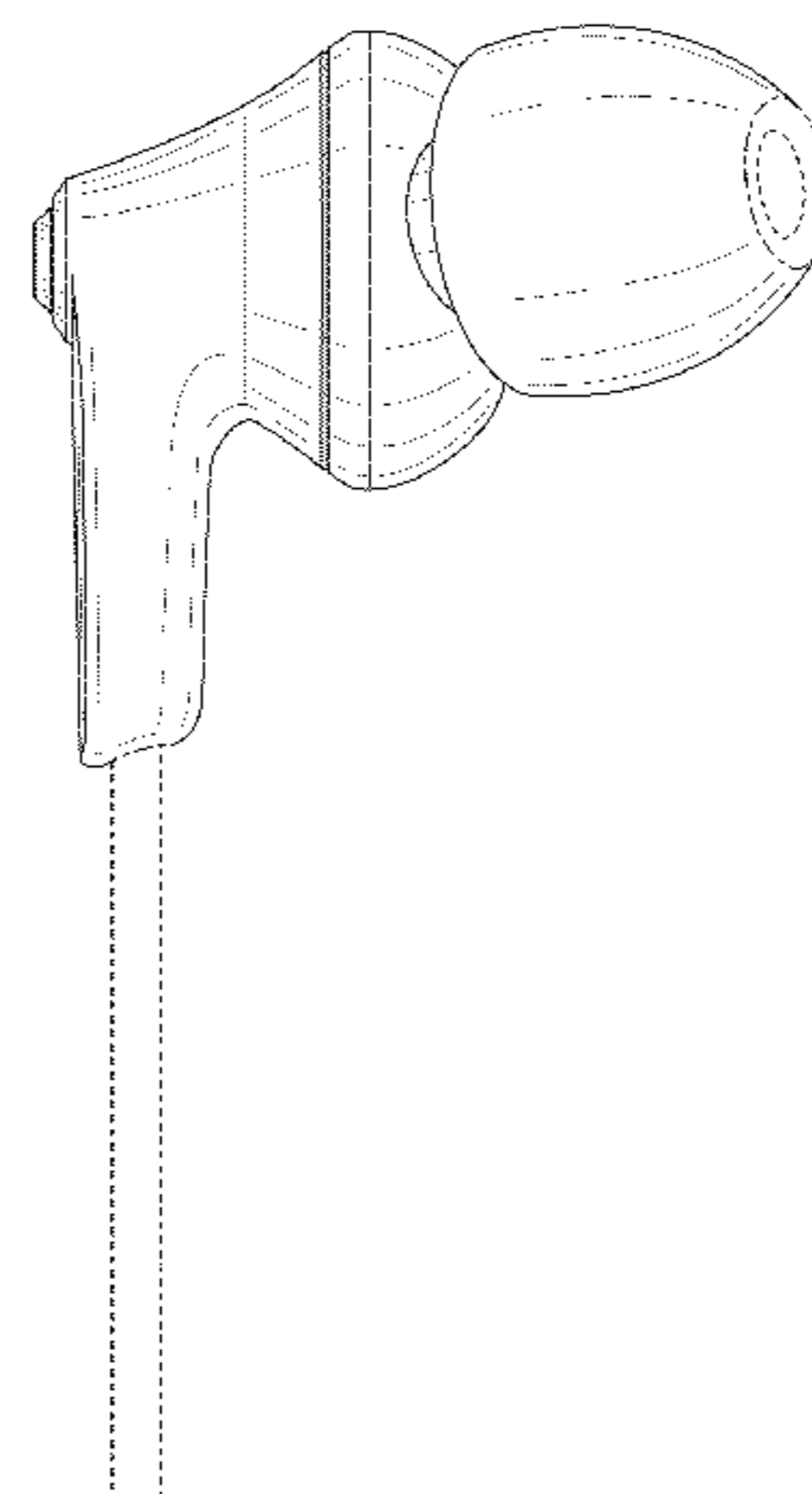
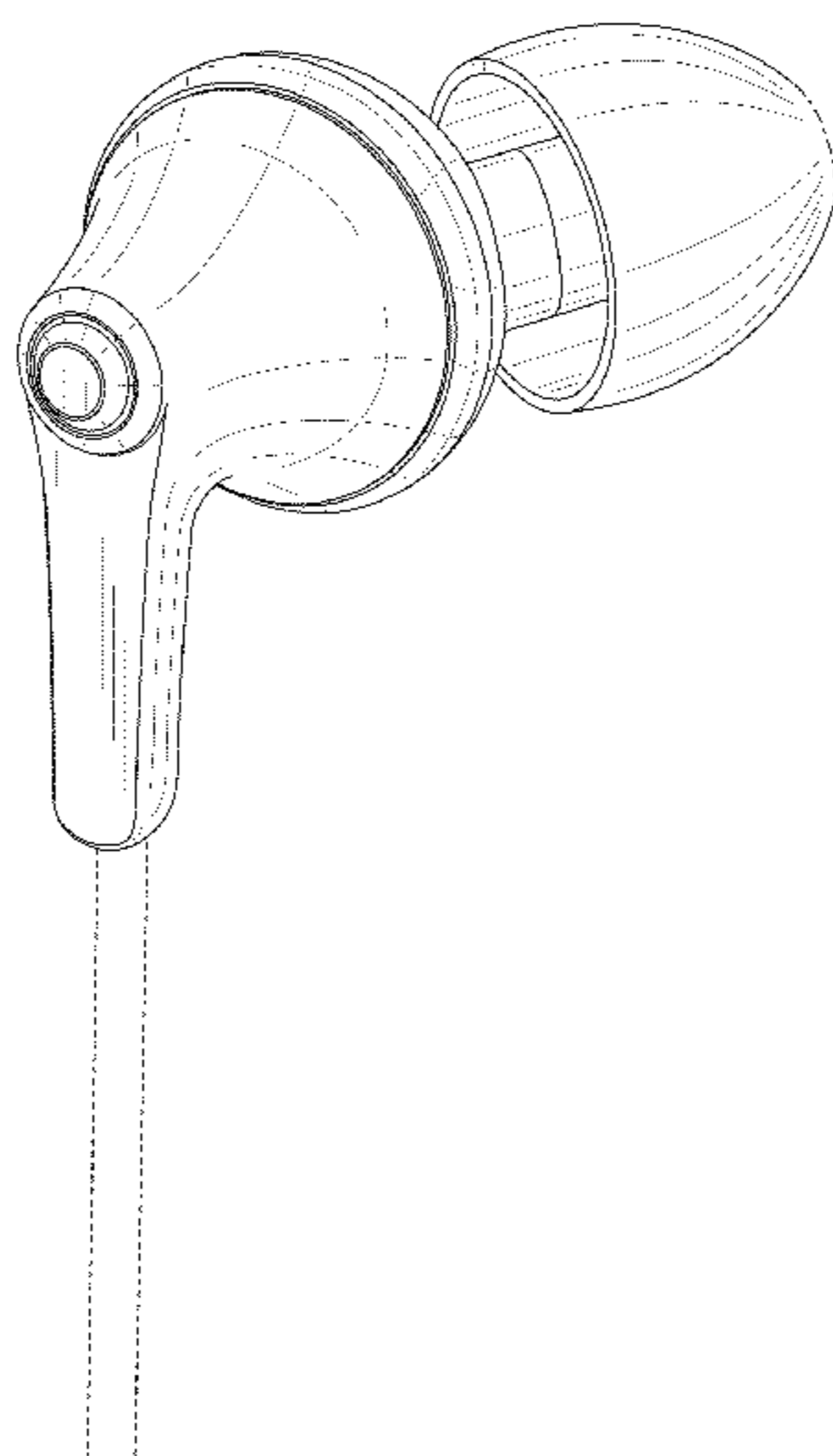


FIG. 1

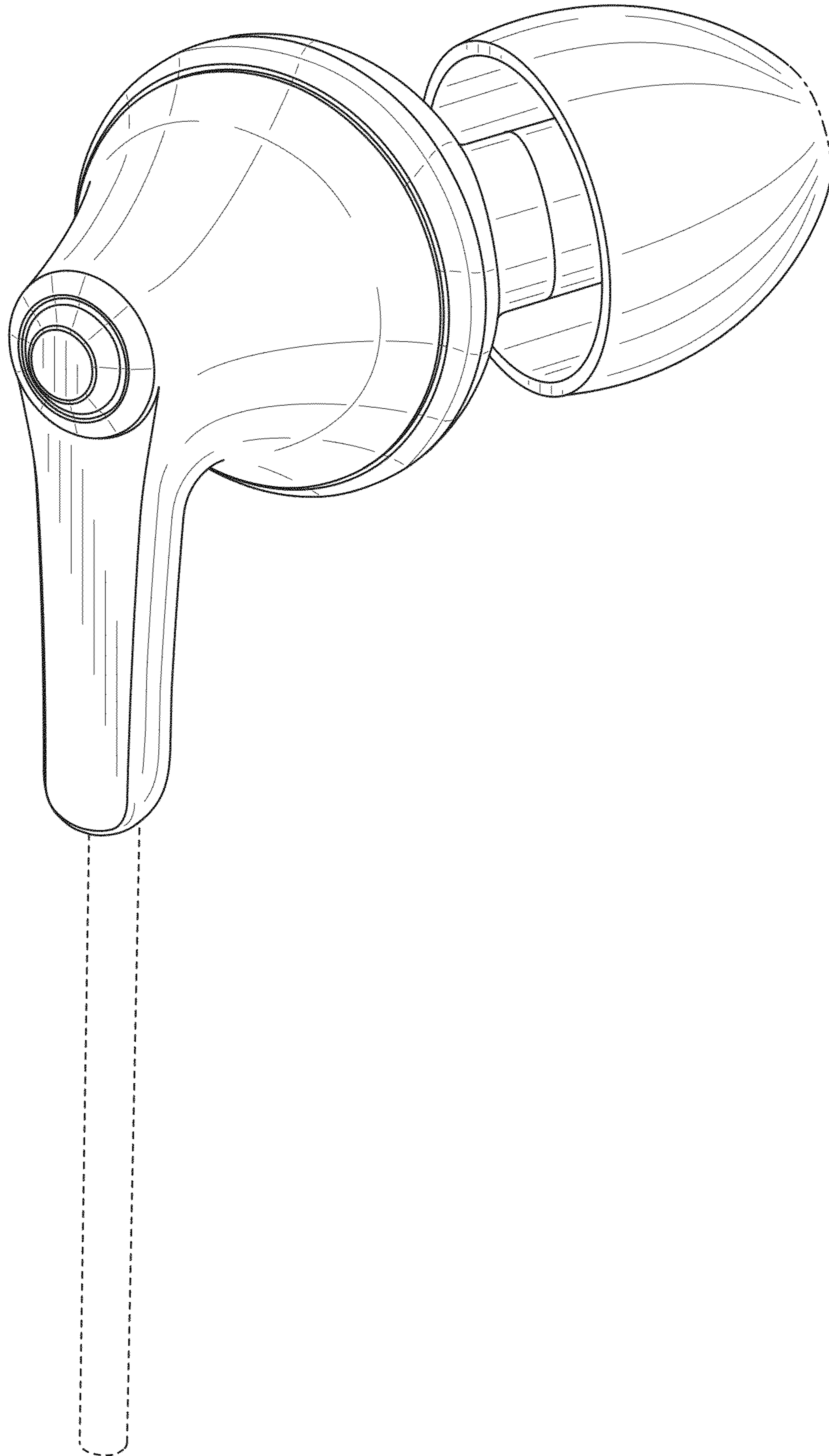


FIG. 2

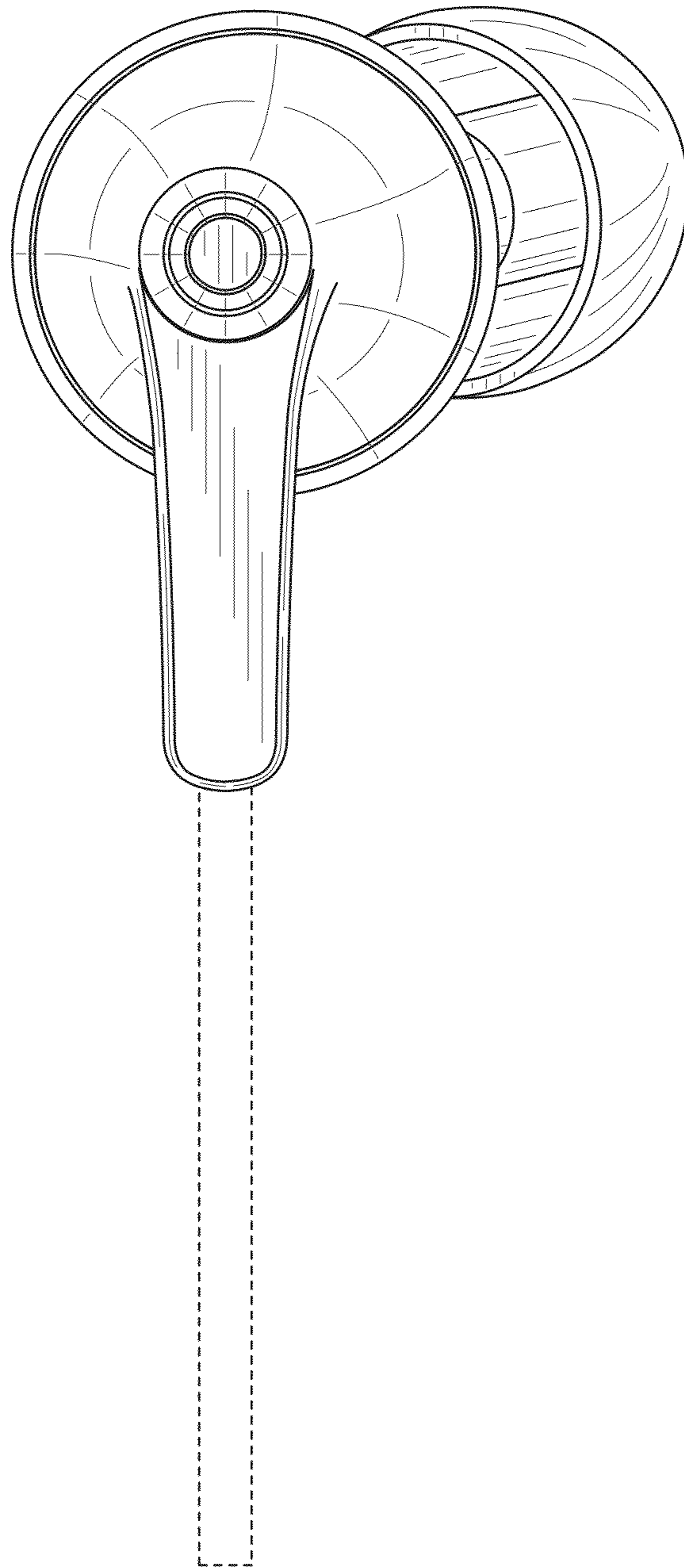


FIG. 3

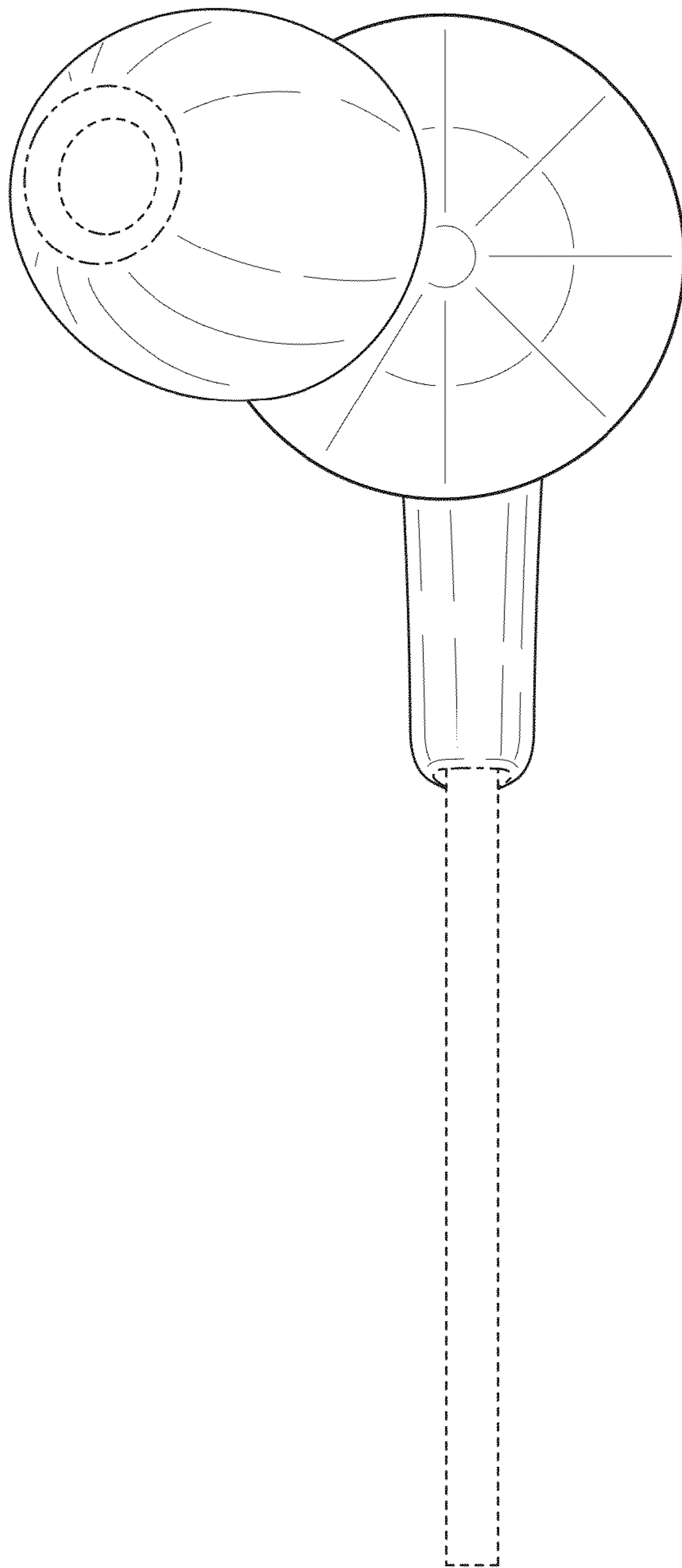


FIG. 4

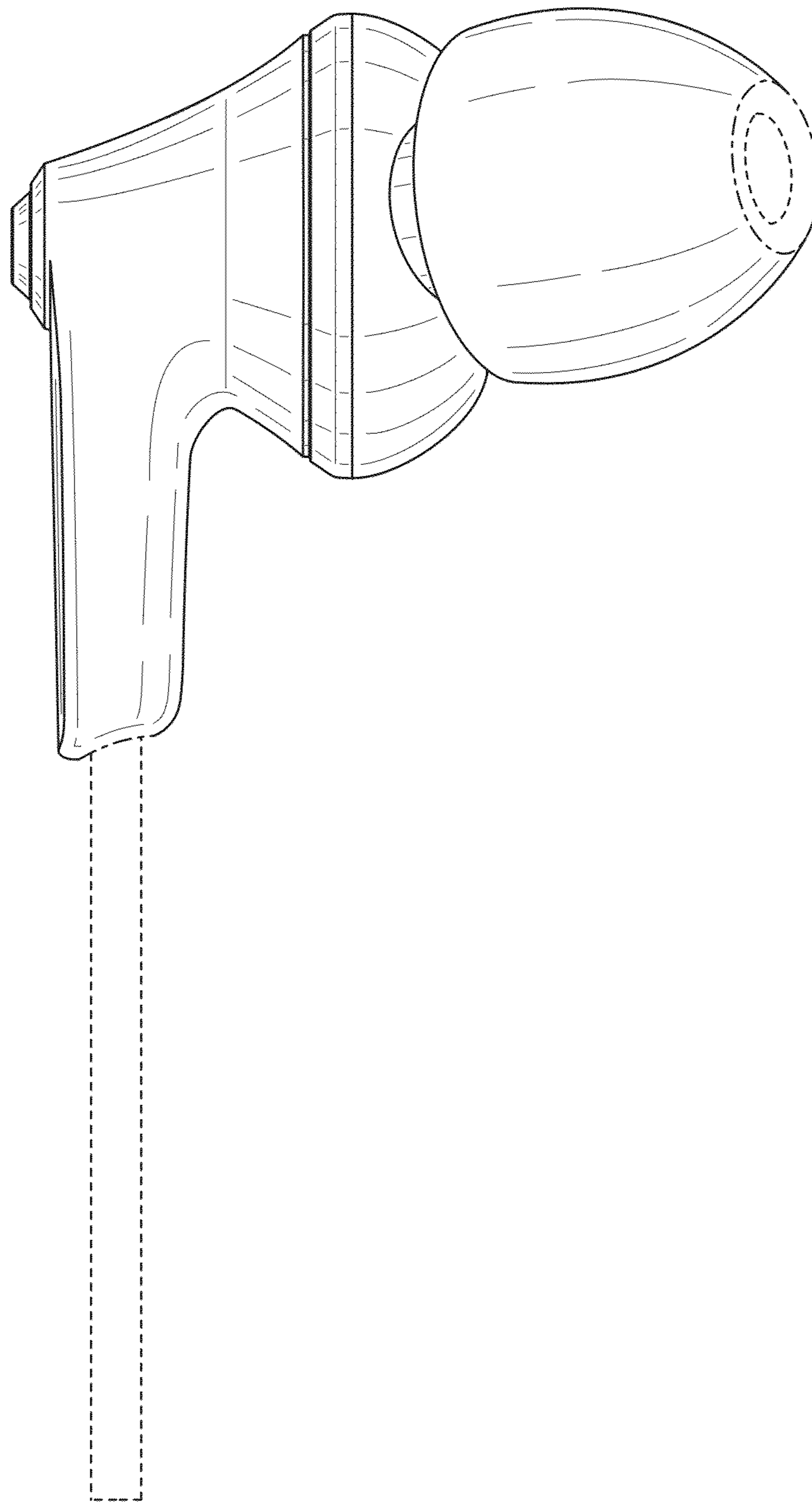


FIG. 5

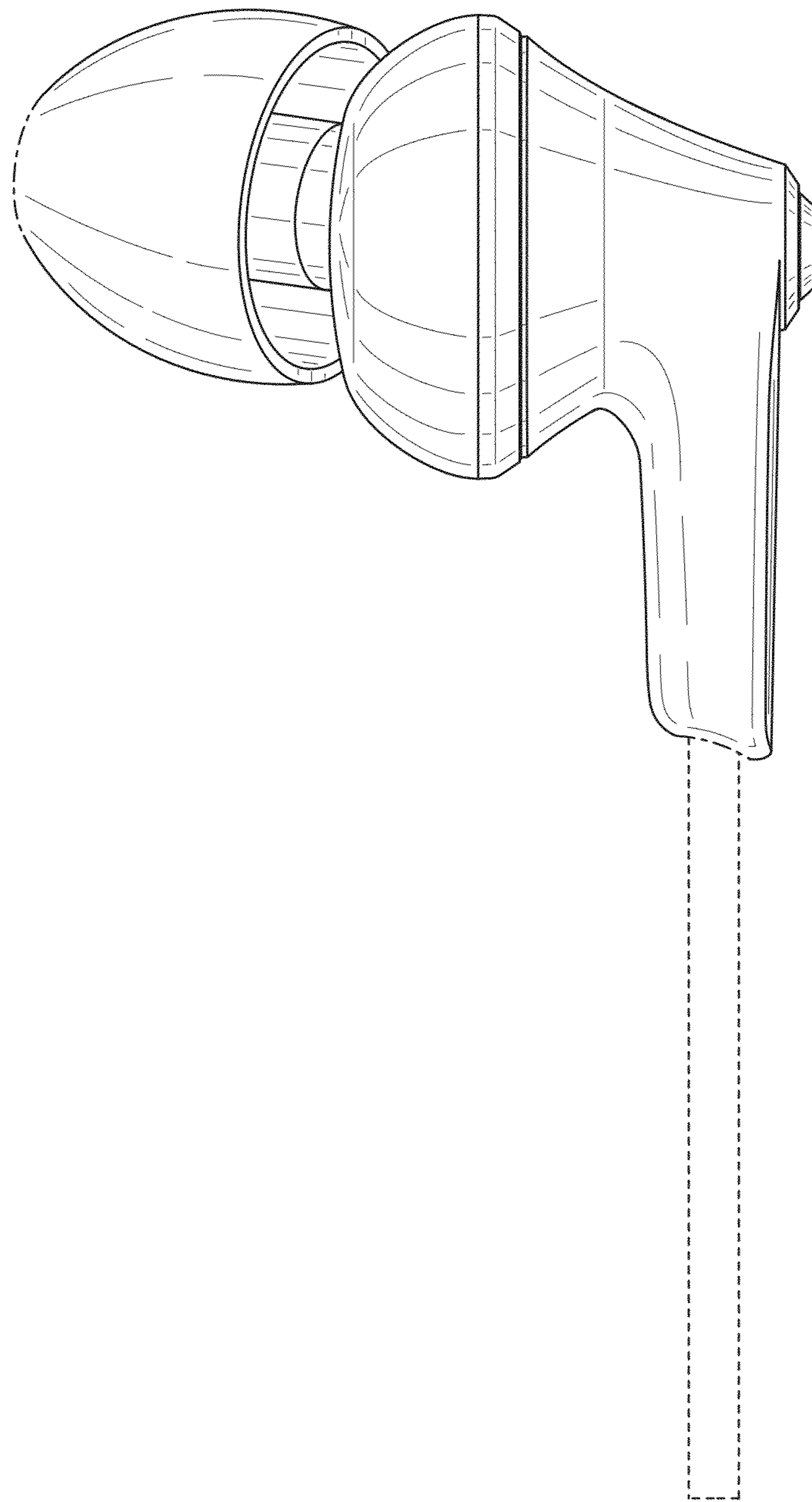


FIG. 6

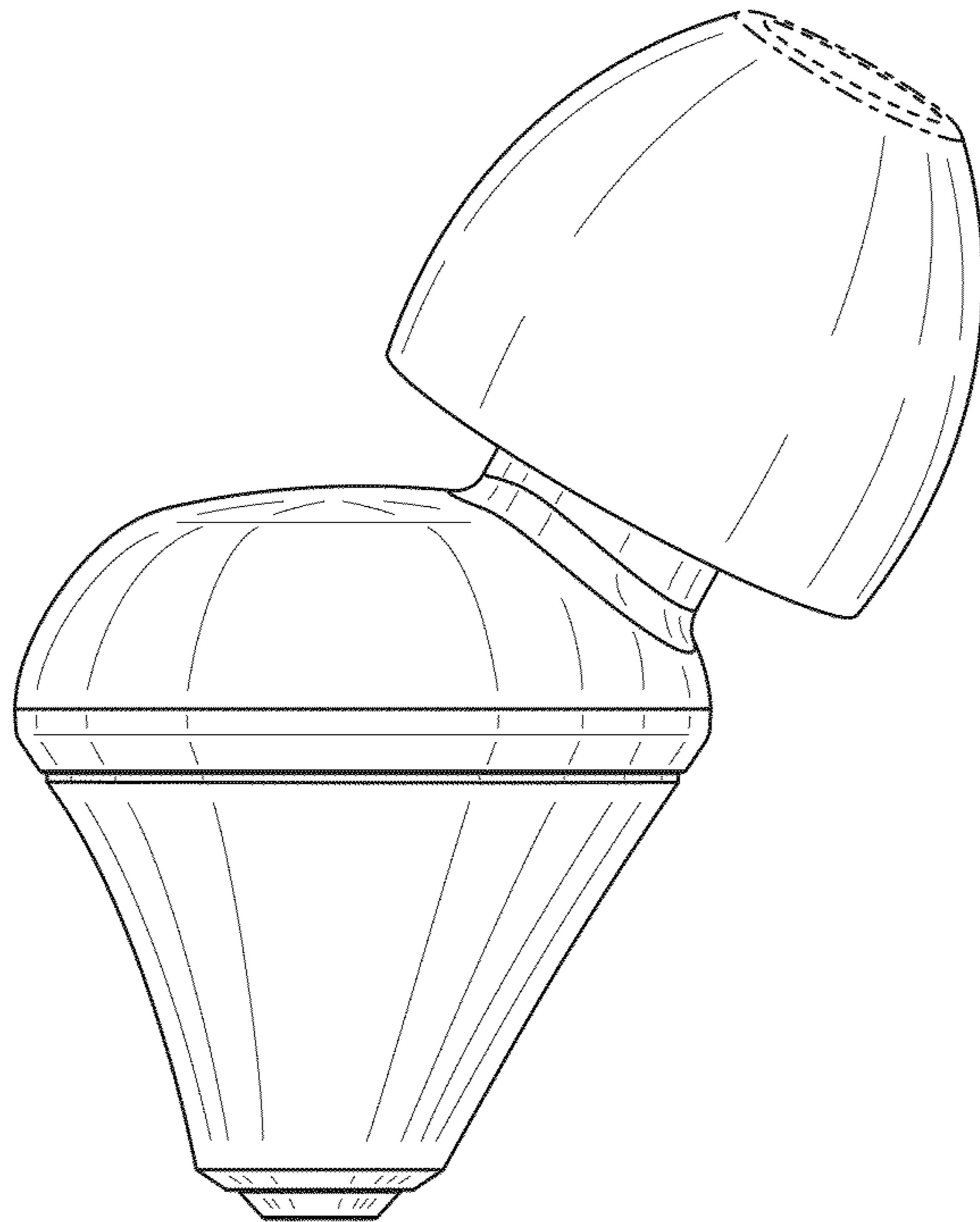


FIG. 7

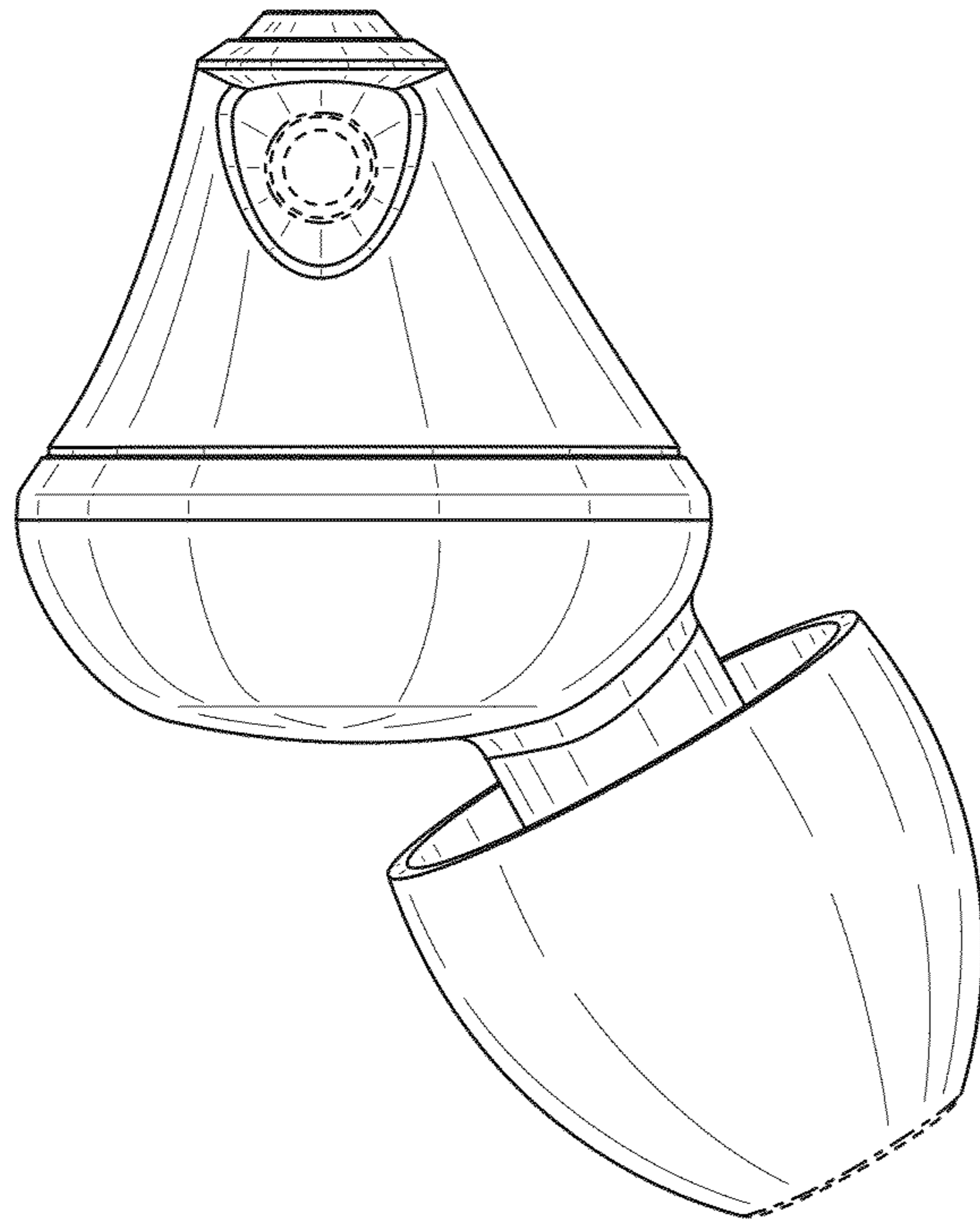




FIG. 8

