



US00D695721S

(12) **United States Design Patent**  
**Thompson et al.**

(10) **Patent No.:** **US D695,721 S**

(45) **Date of Patent:** **\*\* Dec. 17, 2013**

(54) **EARPHONE**

(71) Applicants: **AAC Acoustic Technologies**  
**(Shenzhen) Co., Ltd.**, Shenzhen (CN);  
**AAC Technologies Holdings Inc.**,  
Cayman Islands (GB)

(72) Inventors: **Roy Alden Thompson**, Quincy, MA  
(US); **Kai Chun Yang**, McLean, VA  
(US); **Han Bao**, Shenzhen (CN)

(73) Assignees: **AAC Acoustic Technologies**  
**(Shenzhen) Co., Ltd.**, Shenzhen (CN);  
**AAC Technologies Holdings Inc.**,  
Cayman Islands (GB)

(\*\*) Term: **14 Years**

(21) Appl. No.: **29/437,146**

(22) Filed: **Nov. 14, 2012**

(51) **LOC (9) Cl.** ..... **14-01**

(52) **U.S. Cl.**  
USPC ..... **D14/223**

(58) **Field of Classification Search**  
USPC ..... D14/223; D24/174; 181/129, 130, 135;  
379/430, 431; 381/380, 381, 382;  
455/90.3, 575.1

See application file for complete search history.

(56) **References Cited**

**U.S. PATENT DOCUMENTS**

2,584,402	A *	2/1952	Volkman	181/129
D278,234	S *	4/1985	Saito	D14/205
D311,007	S *	10/1990	Daido	D14/205
4,965,838	A *	10/1990	Kamon et al.	381/380
D316,550	S *	4/1991	Sogabe	D14/168
D318,473	S *	7/1991	Miyashita et al.	D14/223
D318,670	S *	7/1991	Taniguchi	D14/205
D318,865	S *	8/1991	Ichikawa	D14/205
D331,062	S *	11/1992	Kanno	D14/223

D337,589	S *	7/1993	Wada	D14/223
D340,932	S *	11/1993	Yan	D14/249
5,809,159	A *	9/1998	Lee	381/380
D430,139	S *	8/2000	Peters et al.	D14/205
6,122,369	A *	9/2000	Hwang et al.	379/420.04
6,411,722	B1 *	6/2002	Wolf	381/371
D463,397	S *	9/2002	Bergfeldt	D14/205
6,668,064	B1 *	12/2003	Lin	381/380
D499,397	S *	12/2004	Hlas et al.	D14/223
D510,337	S *	10/2005	Tages	D14/205
D523,846	S *	6/2006	Lee	D14/205
D538,784	S *	3/2007	Eklund	D14/205
D554,109	S *	10/2007	Ledbetter et al.	D14/223
D556,741	S *	12/2007	Yeo	D14/223
D566,687	S *	4/2008	Duarte et al.	D14/205
D568,291	S *	5/2008	Andre et al.	D14/205
D578,517	S *	10/2008	Pausch	D14/223
D593,537	S *	6/2009	Arimoto	D14/205
D604,272	S *	11/2009	Kitayama	D14/223
D657,780	S *	4/2012	Dahlberg	D14/223
D674,781	S *	1/2013	Sakata	D14/223
8,401,218	B2 *	3/2013	Son et al.	381/380

\* cited by examiner

*Primary Examiner* — Paula Greene

(74) *Attorney, Agent, or Firm* — Anova Law Group, PLLC

(57) **CLAIM**

The ornamental design for an earphone, as shown and described.

**DESCRIPTION**

FIG. 1 is an isometric view of an earphone showing our new design;

FIG. 2 is a front view thereof;

FIG. 3 is a rear view thereof;

FIG. 4 is a left side view thereof;

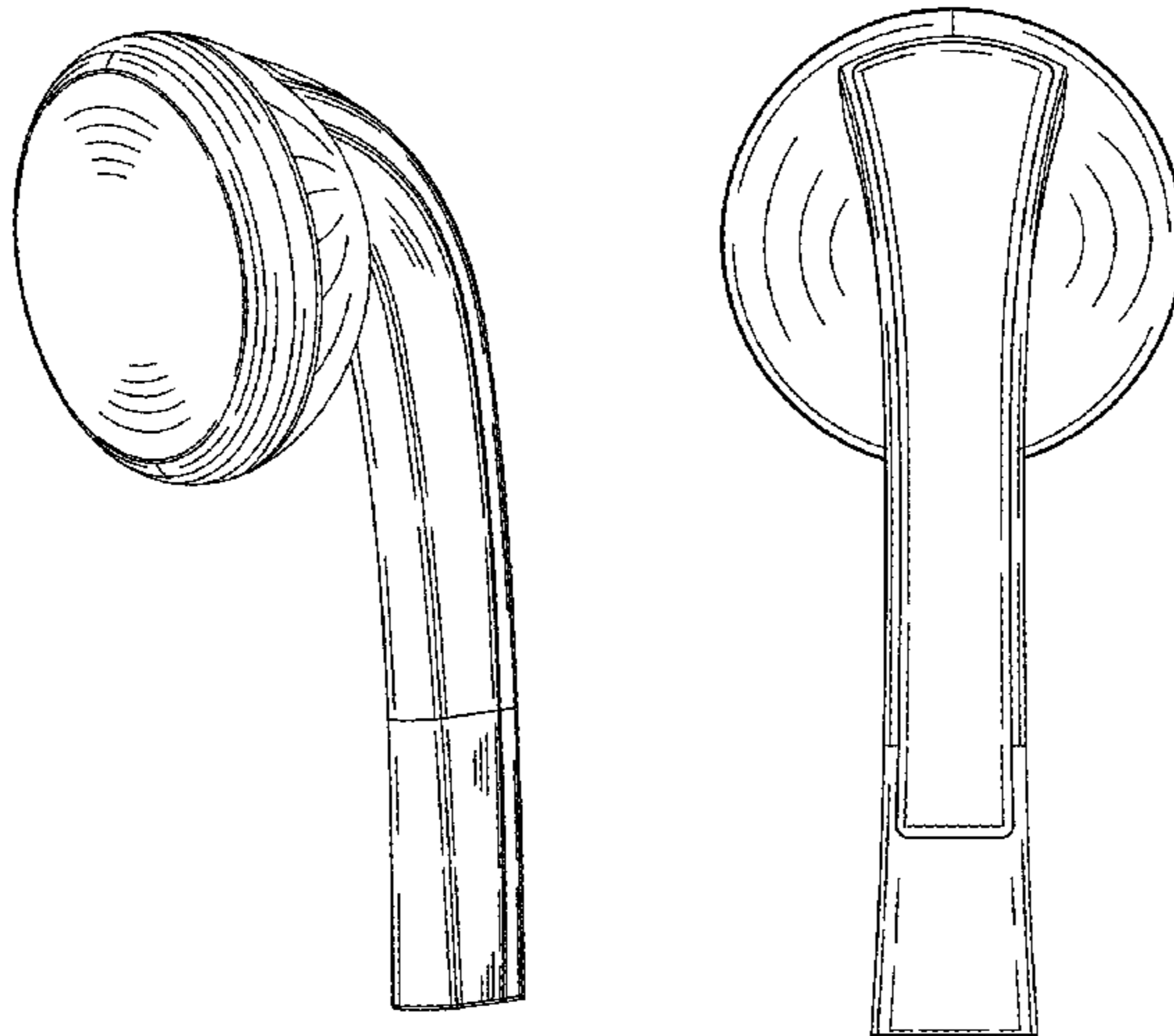
FIG. 5 is a right side view thereof;

FIG. 6 is a top view thereof; and,

FIG. 7 is a bottom view thereof.

The shade lines in the figures show contour and not surface ornamentation.

**1 Claim, 6 Drawing Sheets**



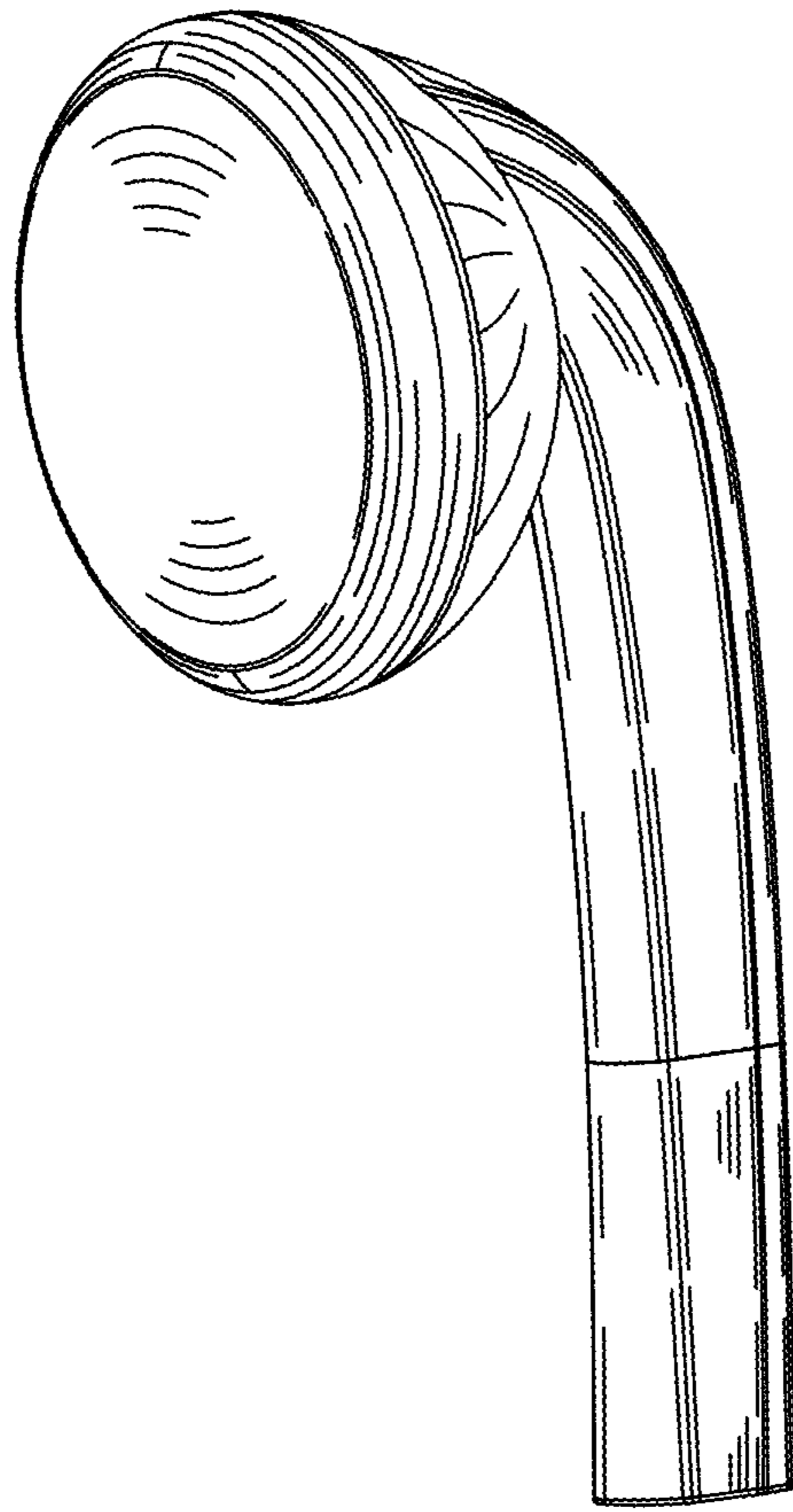


Fig. 1

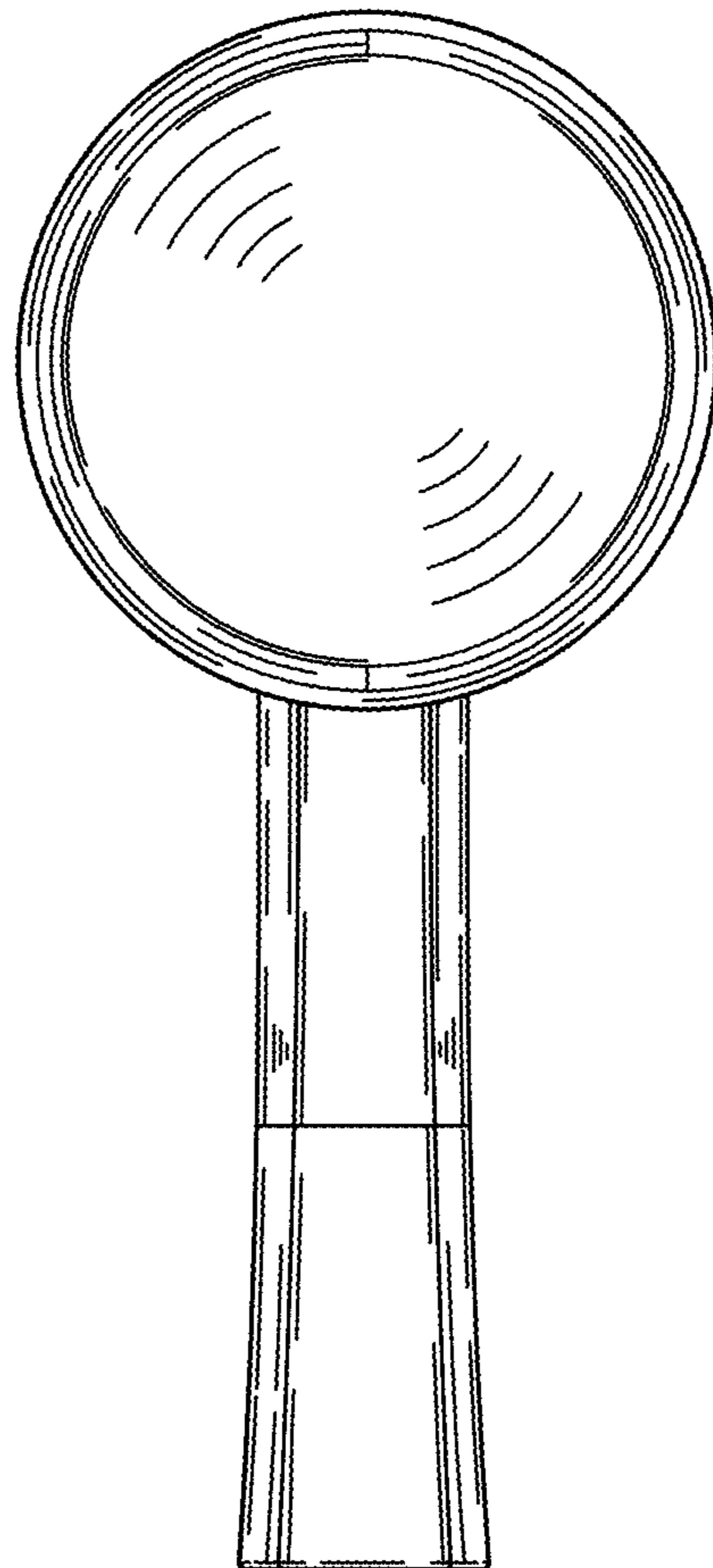


Fig. 2

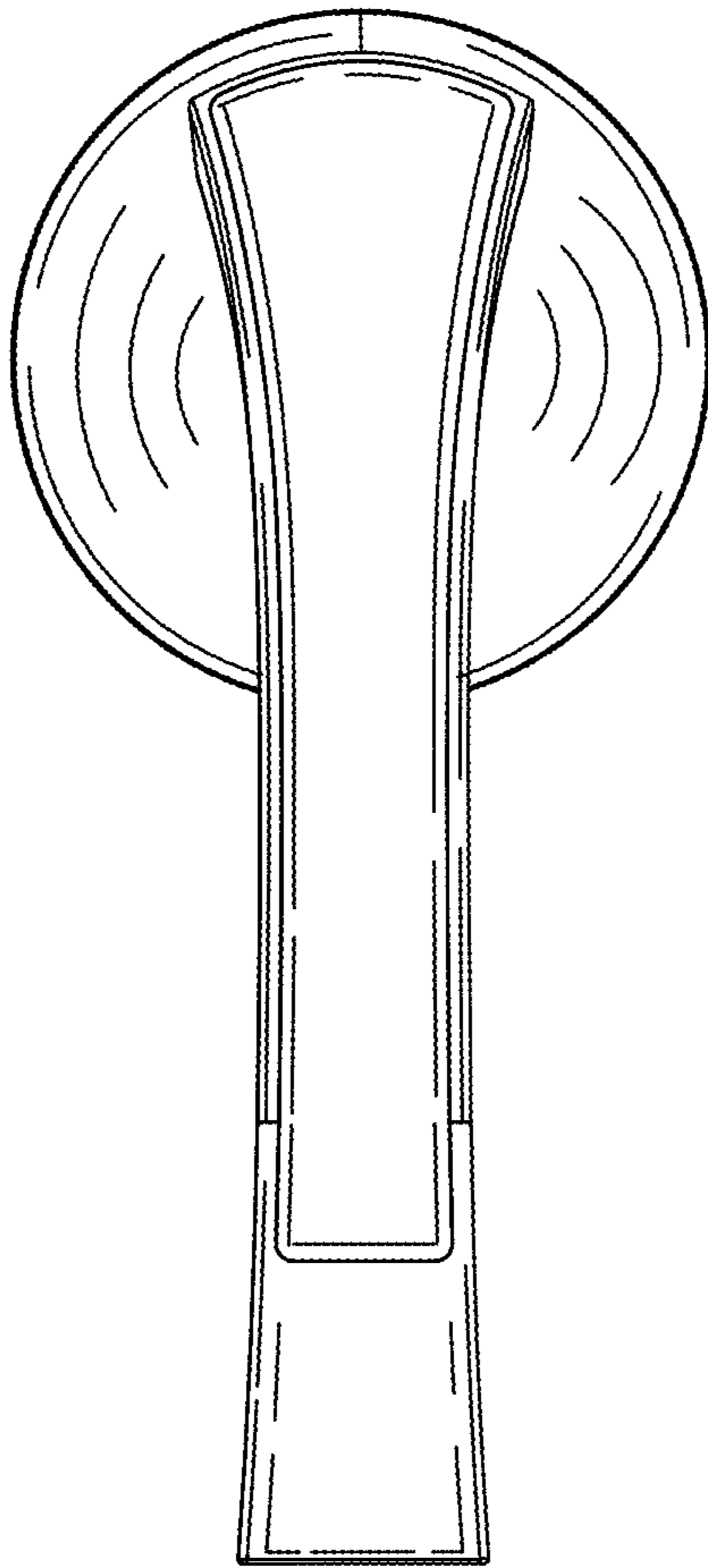


Fig. 3

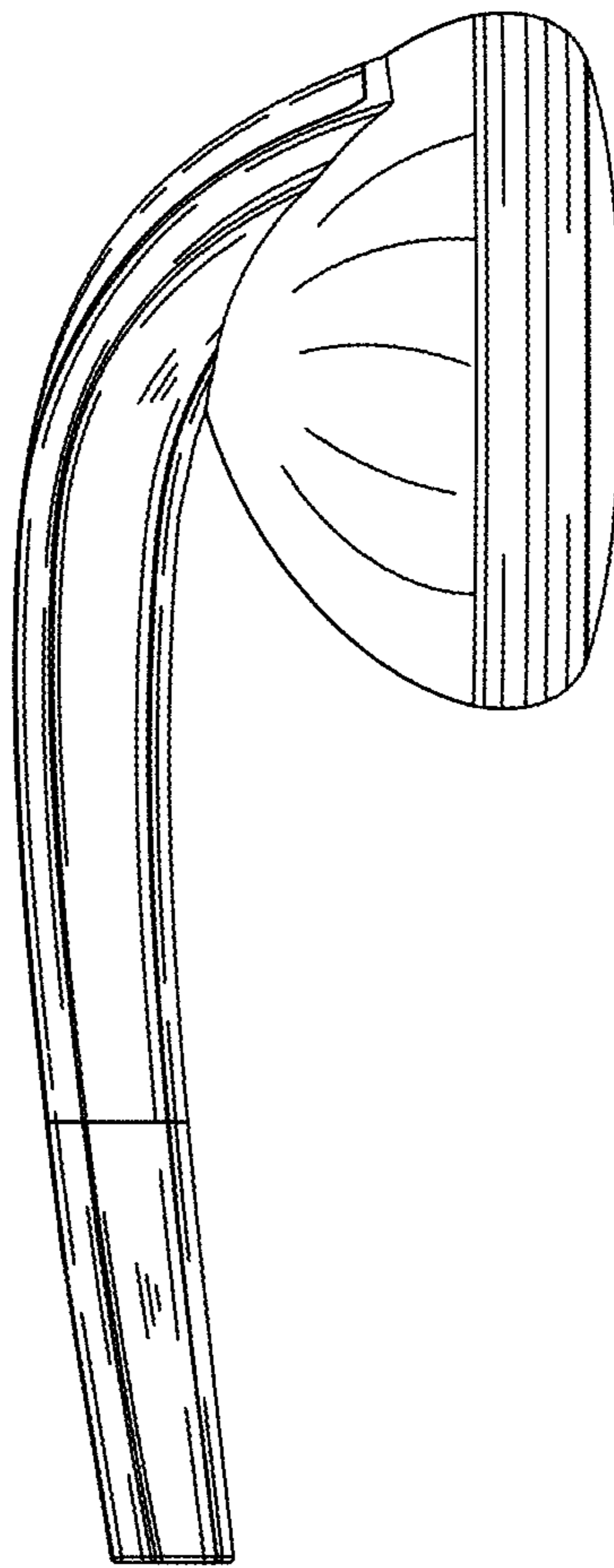


Fig. 4

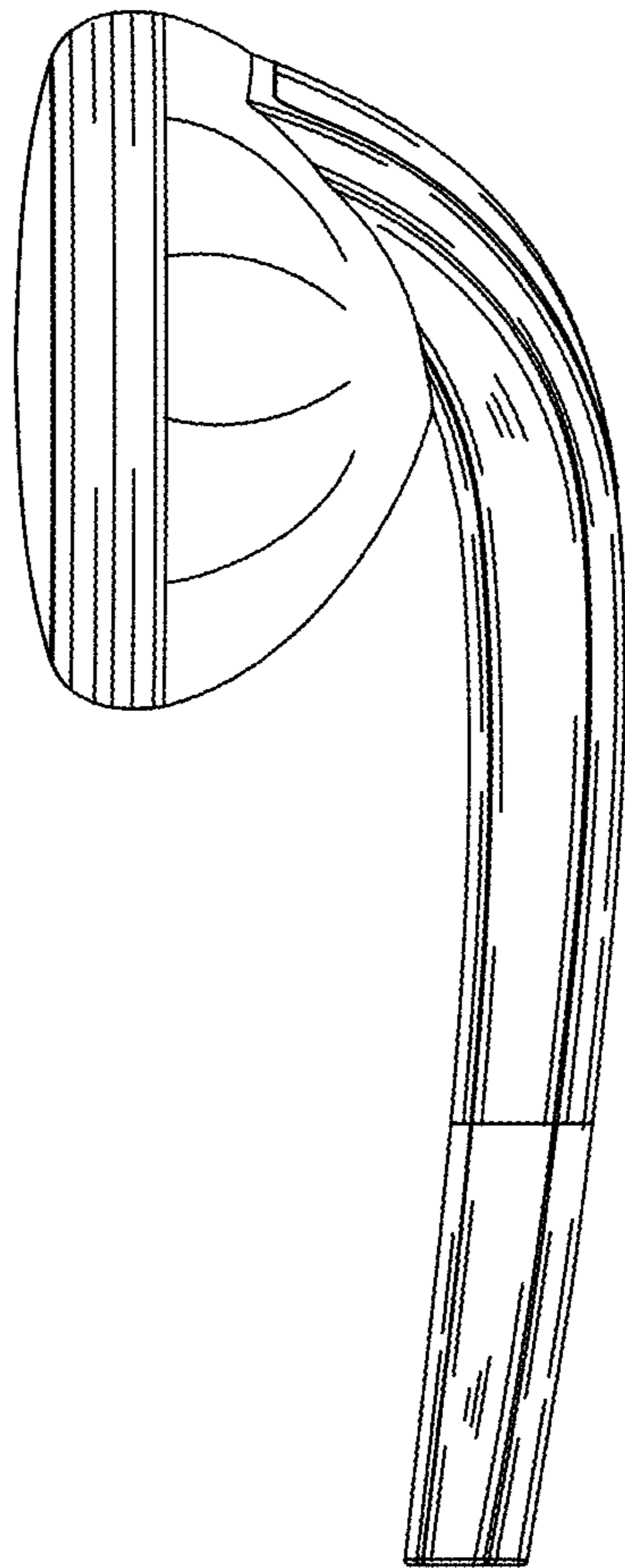


Fig. 5

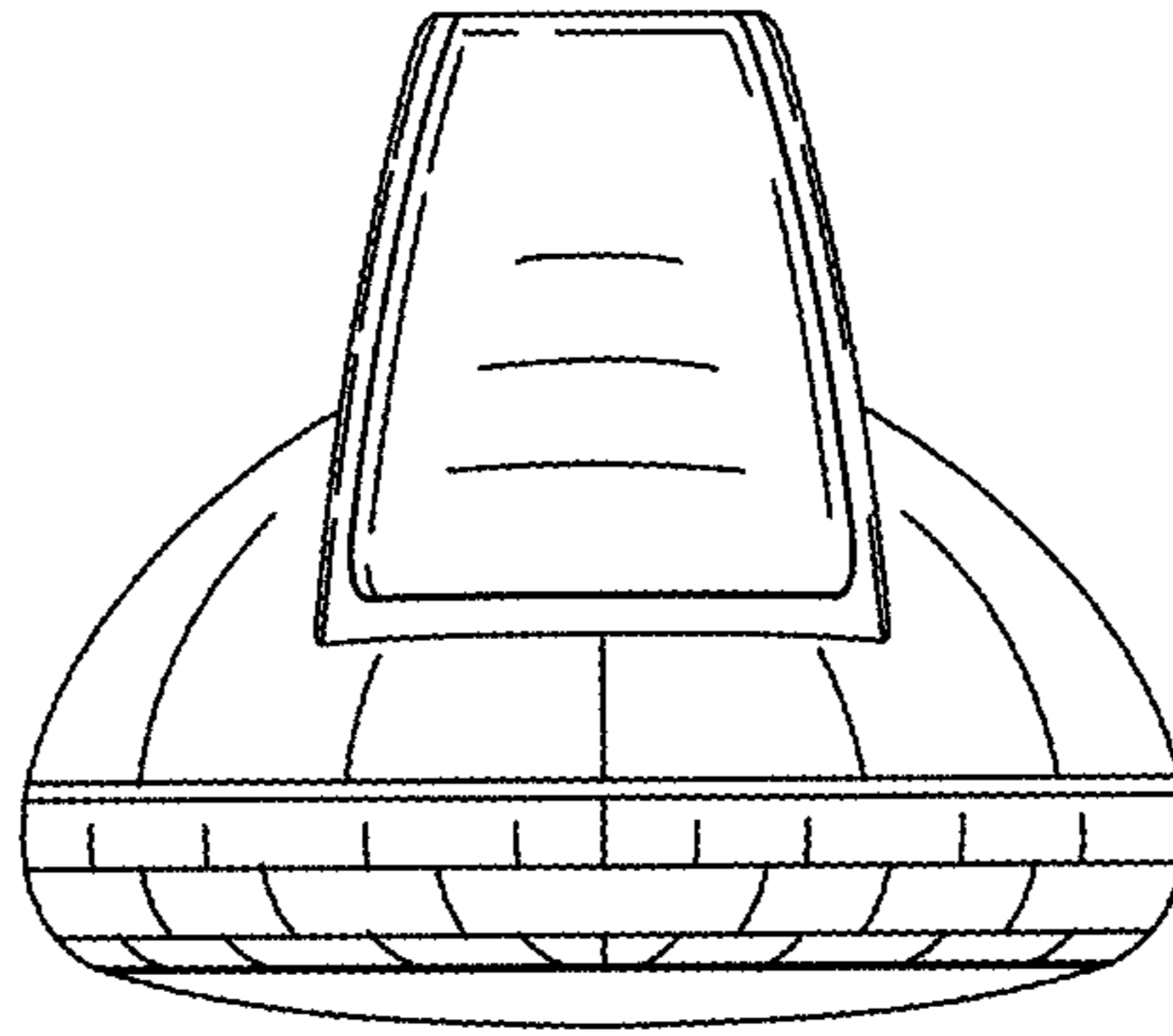


Fig. 6

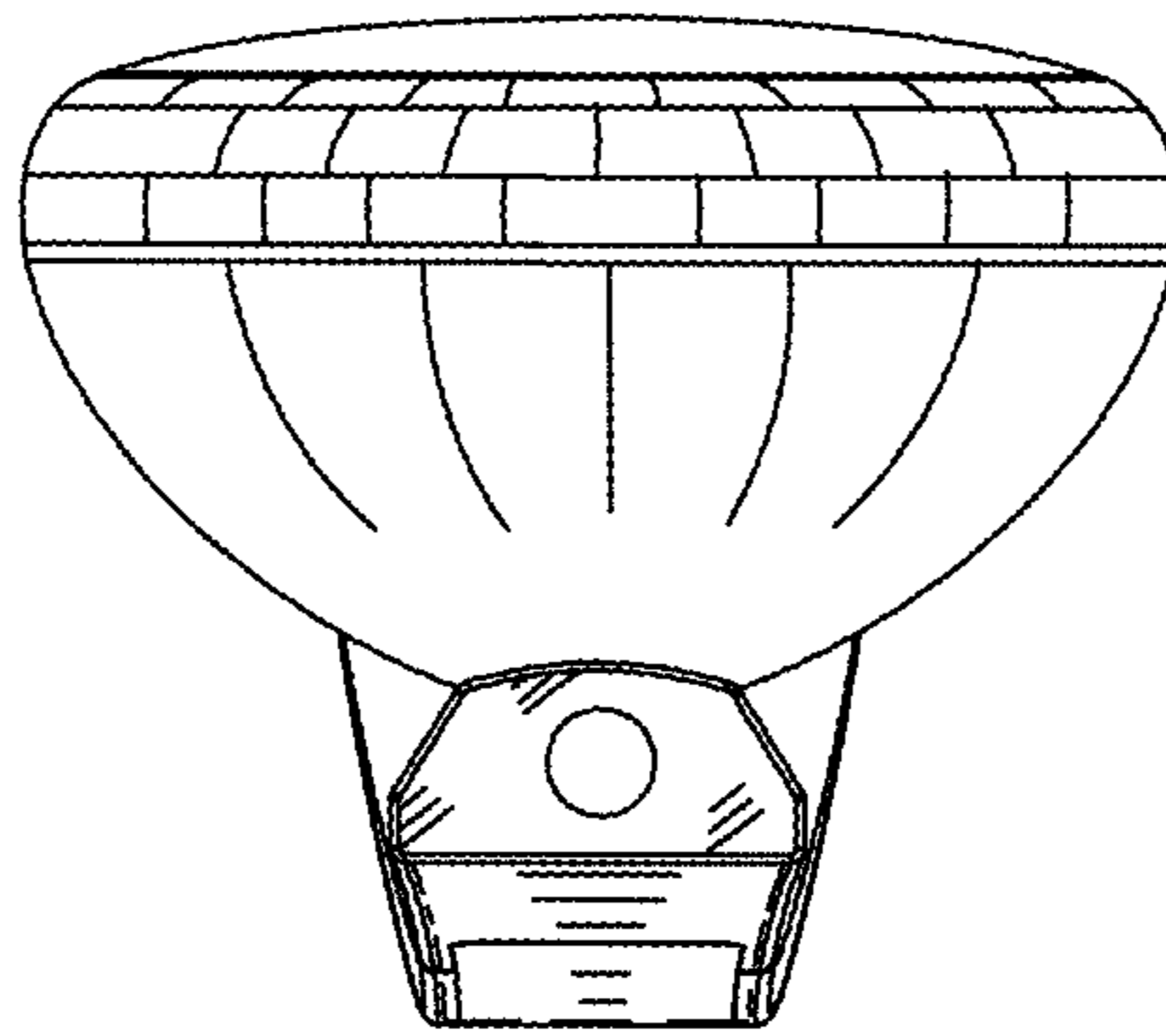


Fig. 7