



US00D695716S

(12) **United States Design Patent**
Cleo

(10) **Patent No.:** **US D695,716 S**

(45) **Date of Patent:** **** Dec. 17, 2013**

(54) **REMOTE CONTROL**

(71) Applicant: **Nagravision S.A.**,
Cheseaux-sur-Lausanne (CH)

(72) Inventor: **Jacquet Cleo**, Le Locle (CH)

(73) Assignee: **Nagravision S.A.**,
Cheseaux-sur-Lausanne (CH)

(**) Term: **14 Years**

(21) Appl. No.: **29/447,031**

(22) Filed: **Feb. 28, 2013**

(30) **Foreign Application Priority Data**

Aug. 30, 2012 (CH) DM/079 017

(51) **LOC (9) Cl.** **14-03**

(52) **U.S. Cl.**
USPC **D14/218**

(58) **Field of Classification Search**

USPC D14/218, 455; D13/168; D21/566;
D10/104, 106; 345/169; 348/14.05,
348/114, 211.99, 734; 340/825.24; 341/22;
455/92, 95, 128, 151.1-151.4, 352,
455/355, FOR. 121; 700/65

See application file for complete search history.

(56) **References Cited**

U.S. PATENT DOCUMENTS

D372,231 S * 7/1996 Huang D14/417
D377,343 S * 1/1997 Tickle D14/408
D396,468 S * 7/1998 Schindler et al. D14/218

D410,909 S * 6/1999 Tickle D14/388
D459,341 S * 6/2002 Saeki et al. D14/218
D489,361 S * 5/2004 Mori et al. D14/218
D520,991 S * 5/2006 Ma et al. D14/240
D531,963 S * 11/2006 Tajima D13/168
D538,790 S * 3/2007 Okada et al. D14/218
D596,163 S * 7/2009 Madonna et al. D14/218
D597,038 S * 7/2009 Glassman et al. D13/168
D602,916 S * 10/2009 Won et al. D14/218
D605,180 S * 12/2009 Rudolph et al. D14/218
D613,291 S * 4/2010 Carver D14/432
D624,058 S * 9/2010 Kolton D14/225
D632,265 S * 2/2011 Choi et al. D13/168
D633,478 S * 3/2011 Bolton D14/218
D647,883 S * 11/2011 Kim et al. D14/218
D685,750 S * 7/2013 Nakagawa D13/168

* cited by examiner

Primary Examiner — John Windmuller

(74) *Attorney, Agent, or Firm* — DLA Piper LLP US

(57) **CLAIM**

The ornamental design for a remote control, as shown and described.

DESCRIPTION

This application claims priority to International Application No. 689103001, filed Aug. 30, 2012, which is incorporated by reference in its entirety.

FIG. 1 is a top perspective view of a remote control;

FIG. 2 is a front view thereof;

FIG. 3 is a back view thereof;

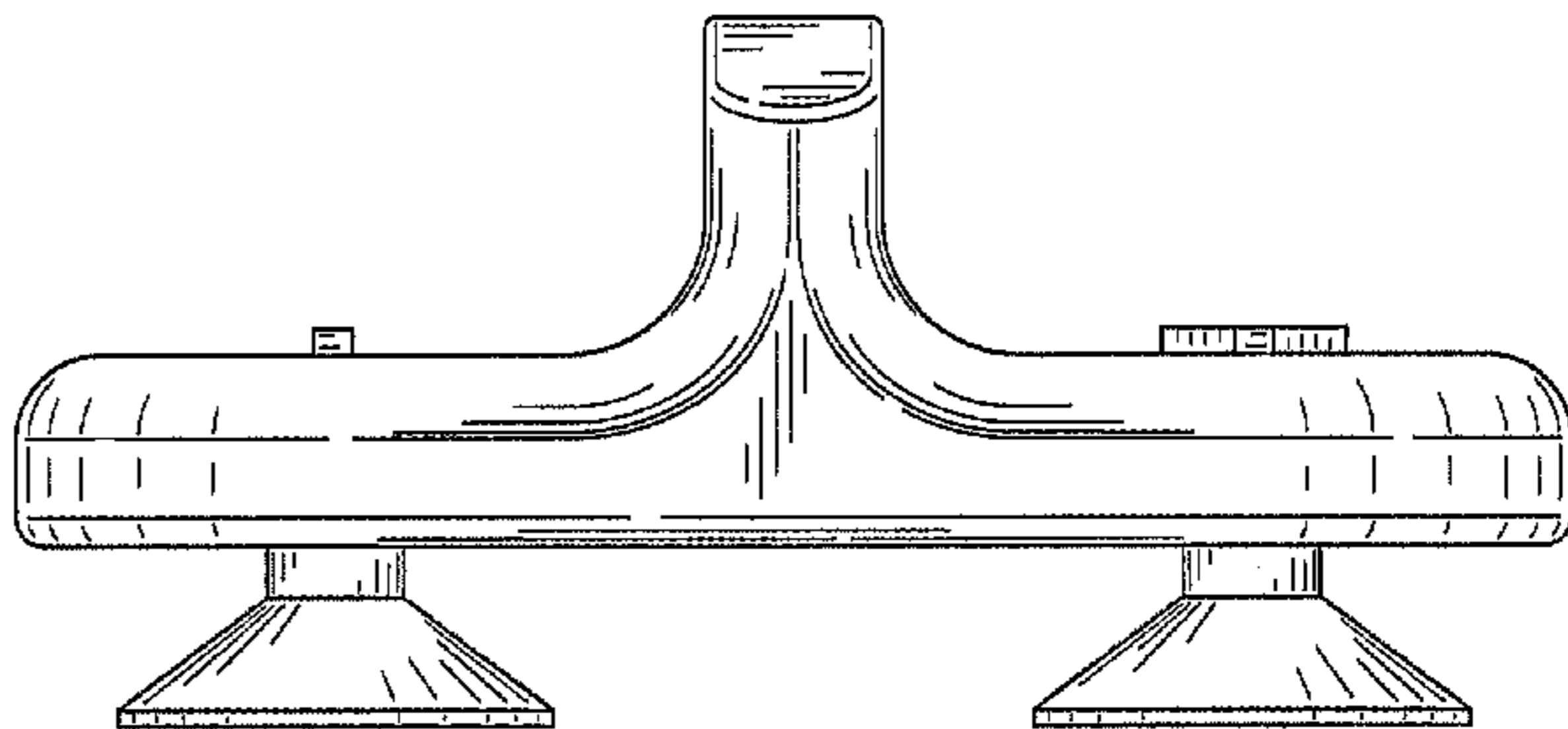
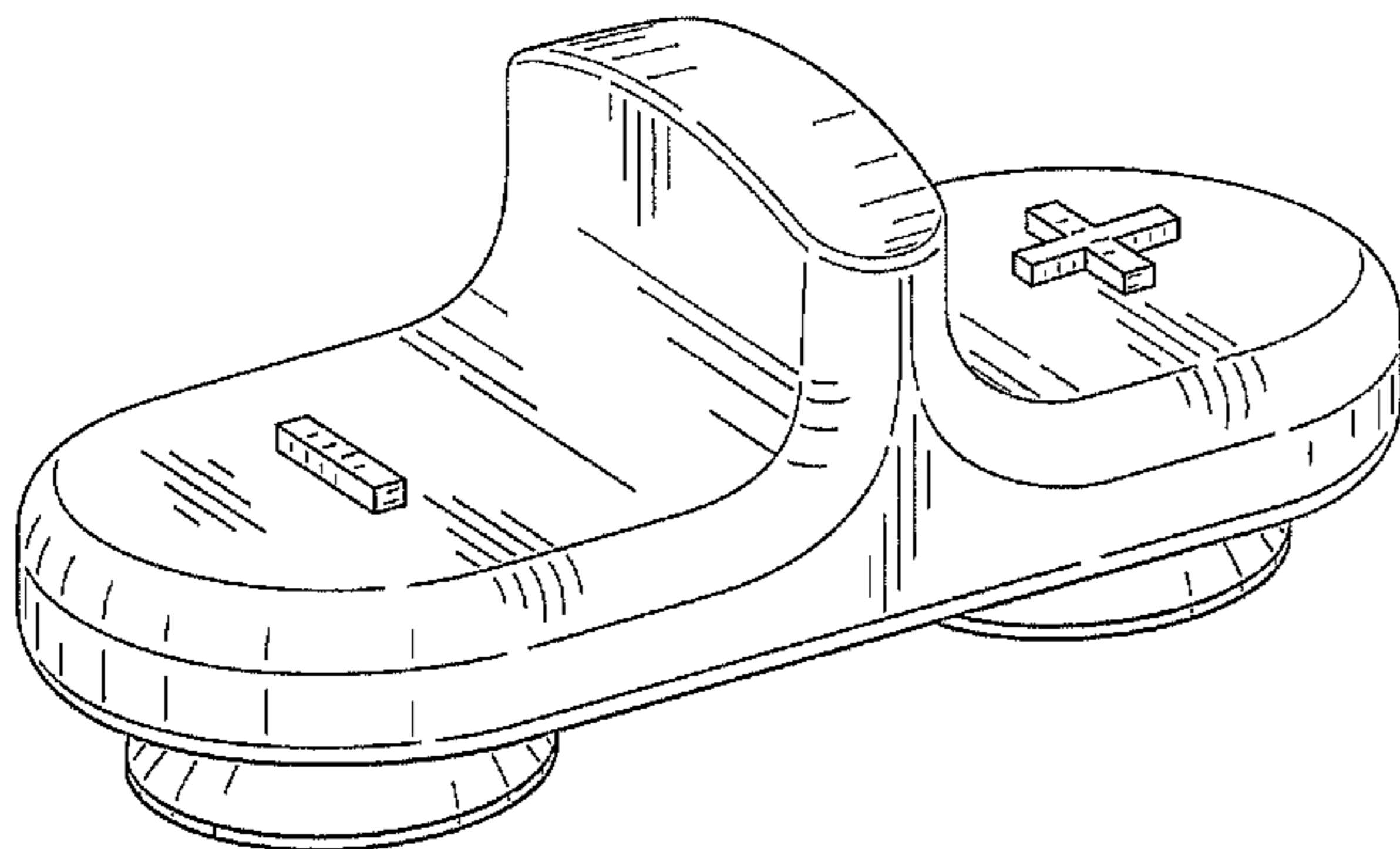
FIG. 4 is a right side view thereof;

FIG. 5 is a left side view thereof;

FIG. 6 is a top view thereof; and,

FIG. 7 is a bottom view thereof.

1 Claim, 2 Drawing Sheets



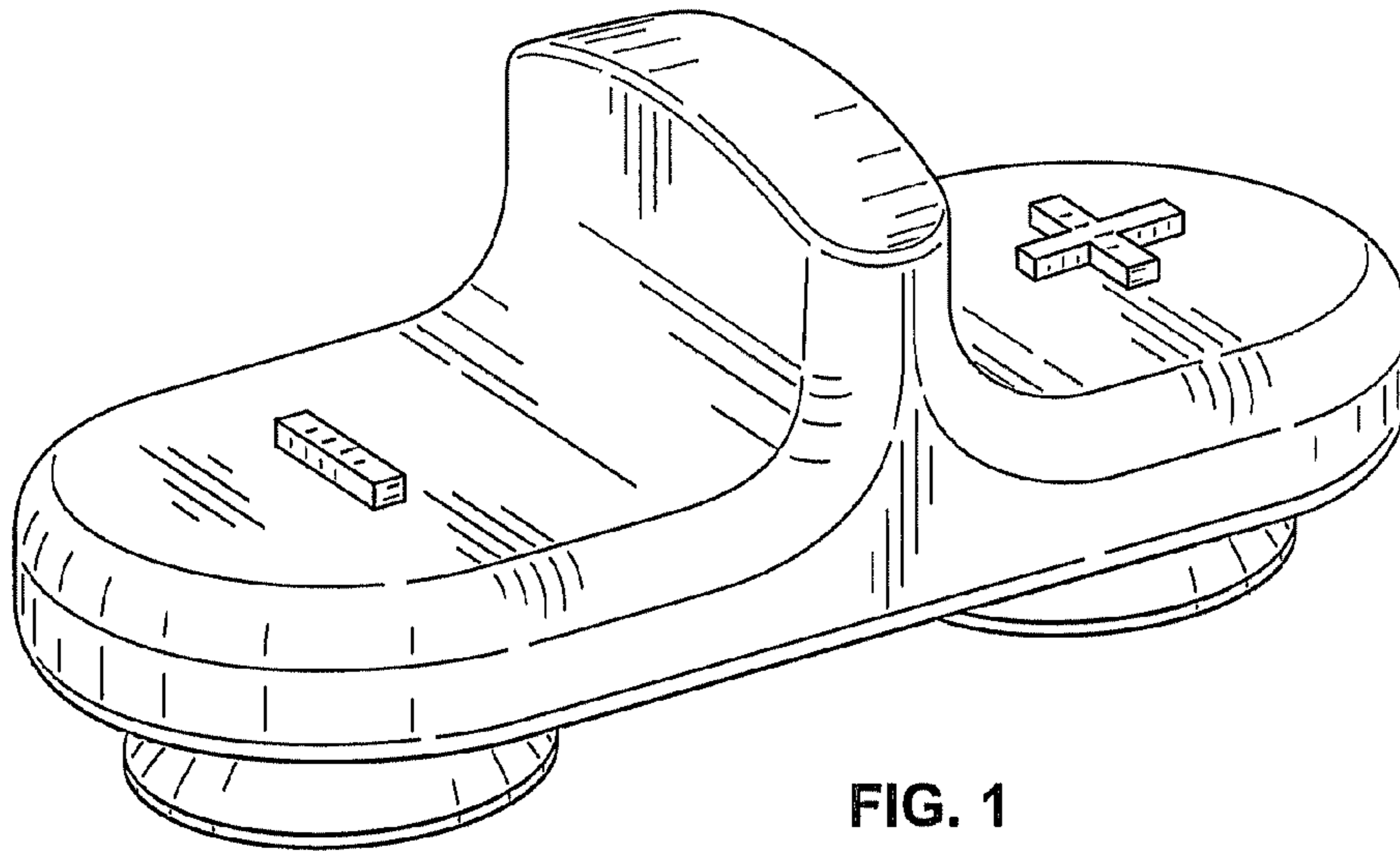


FIG. 1

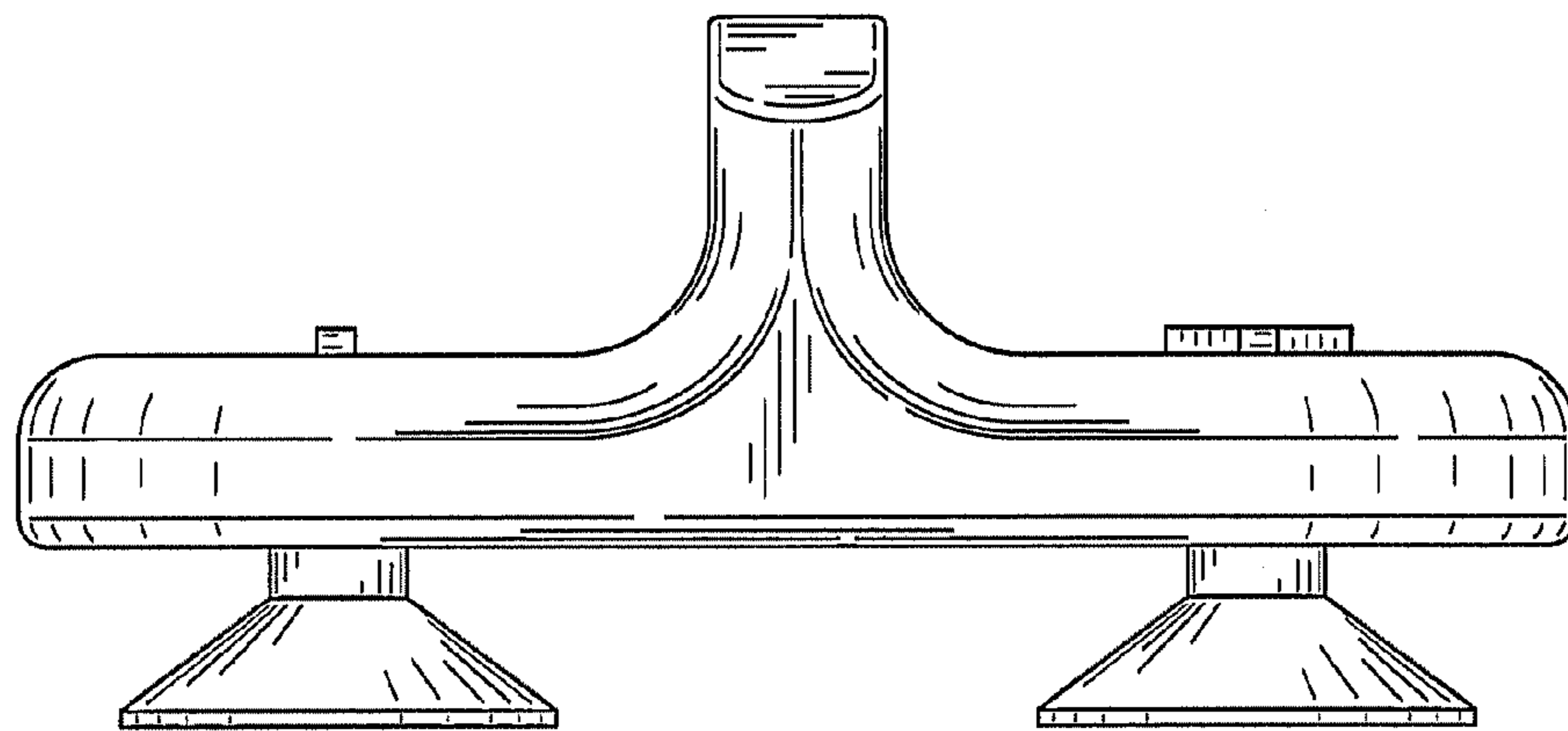


FIG. 2

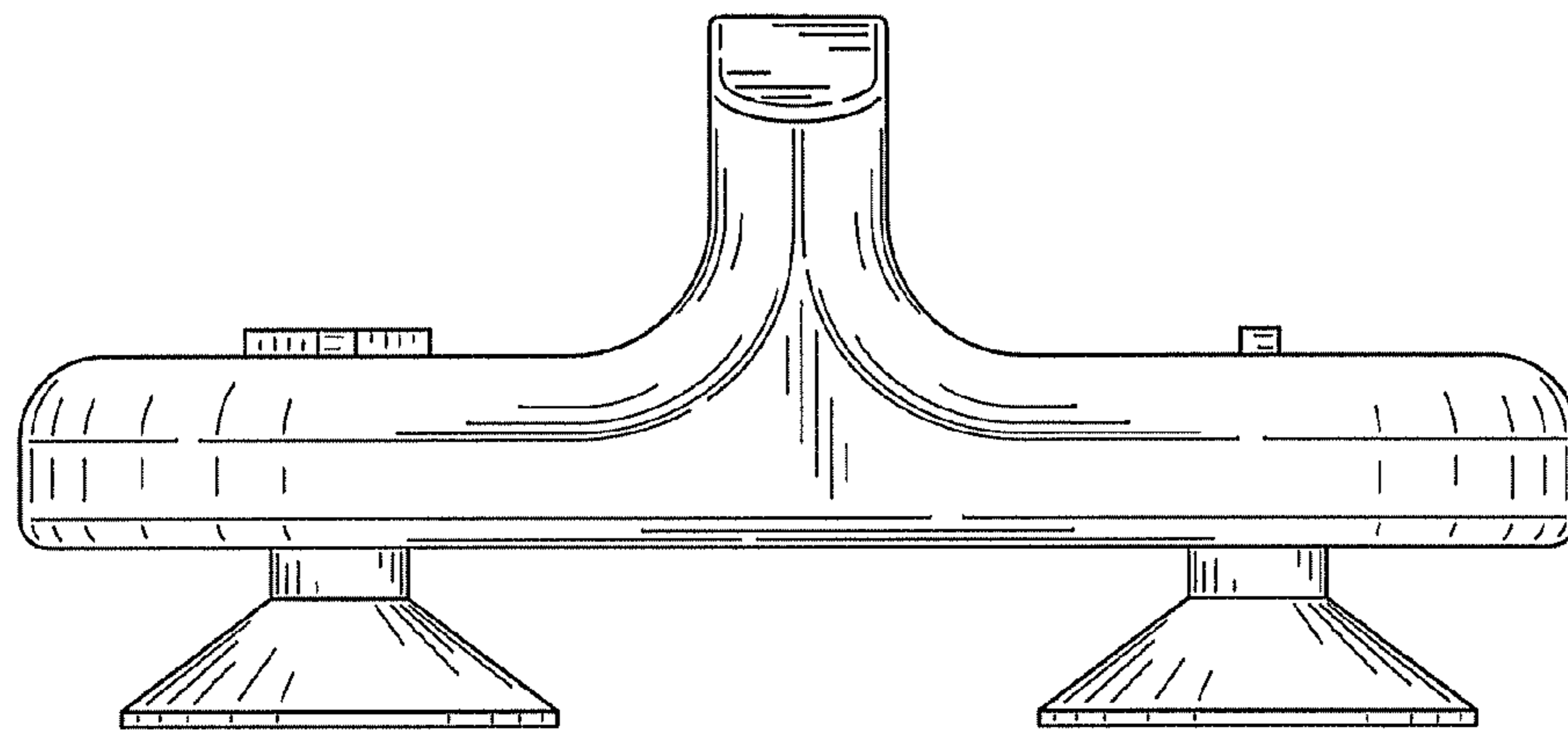


FIG. 3

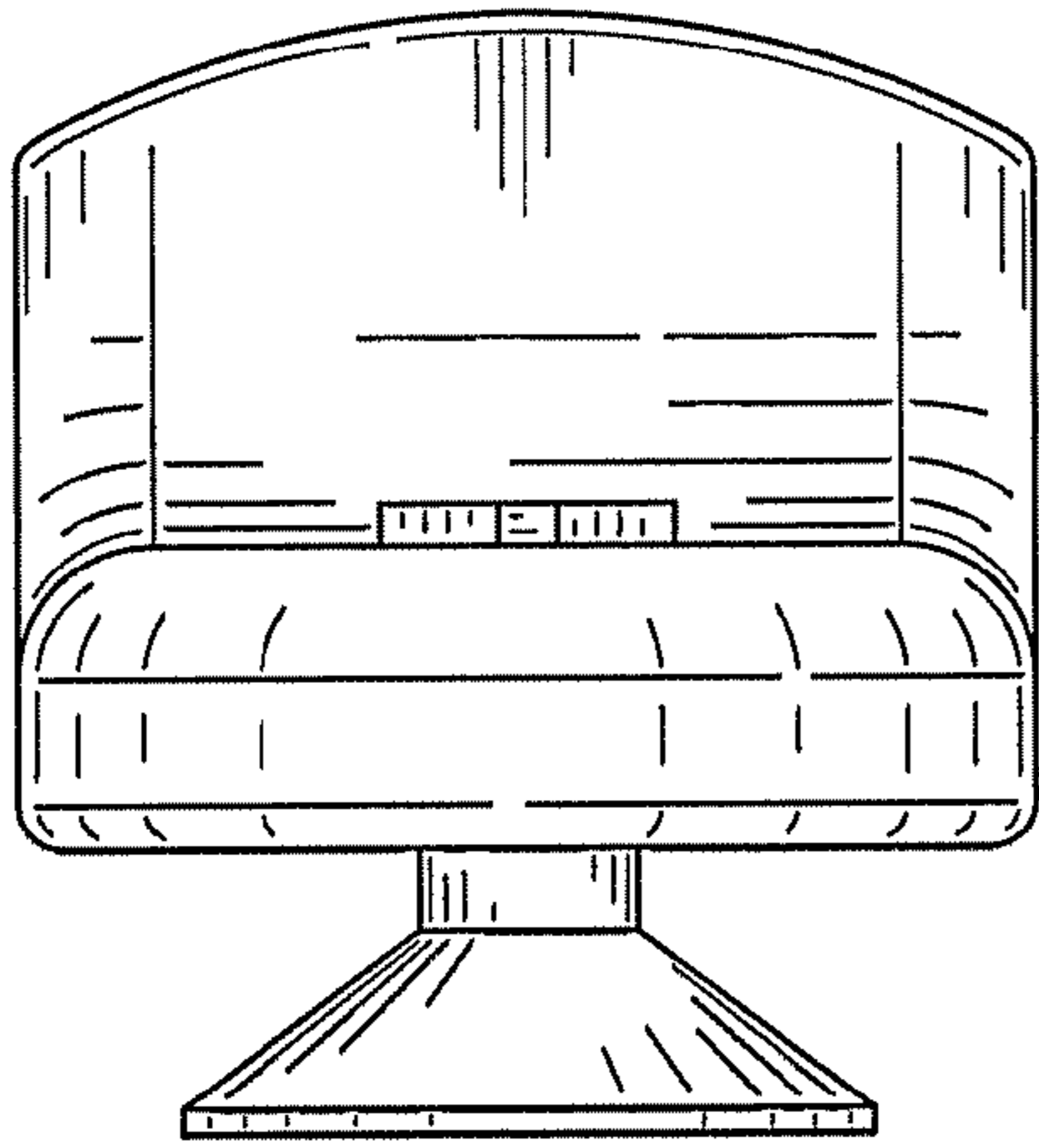


FIG. 4

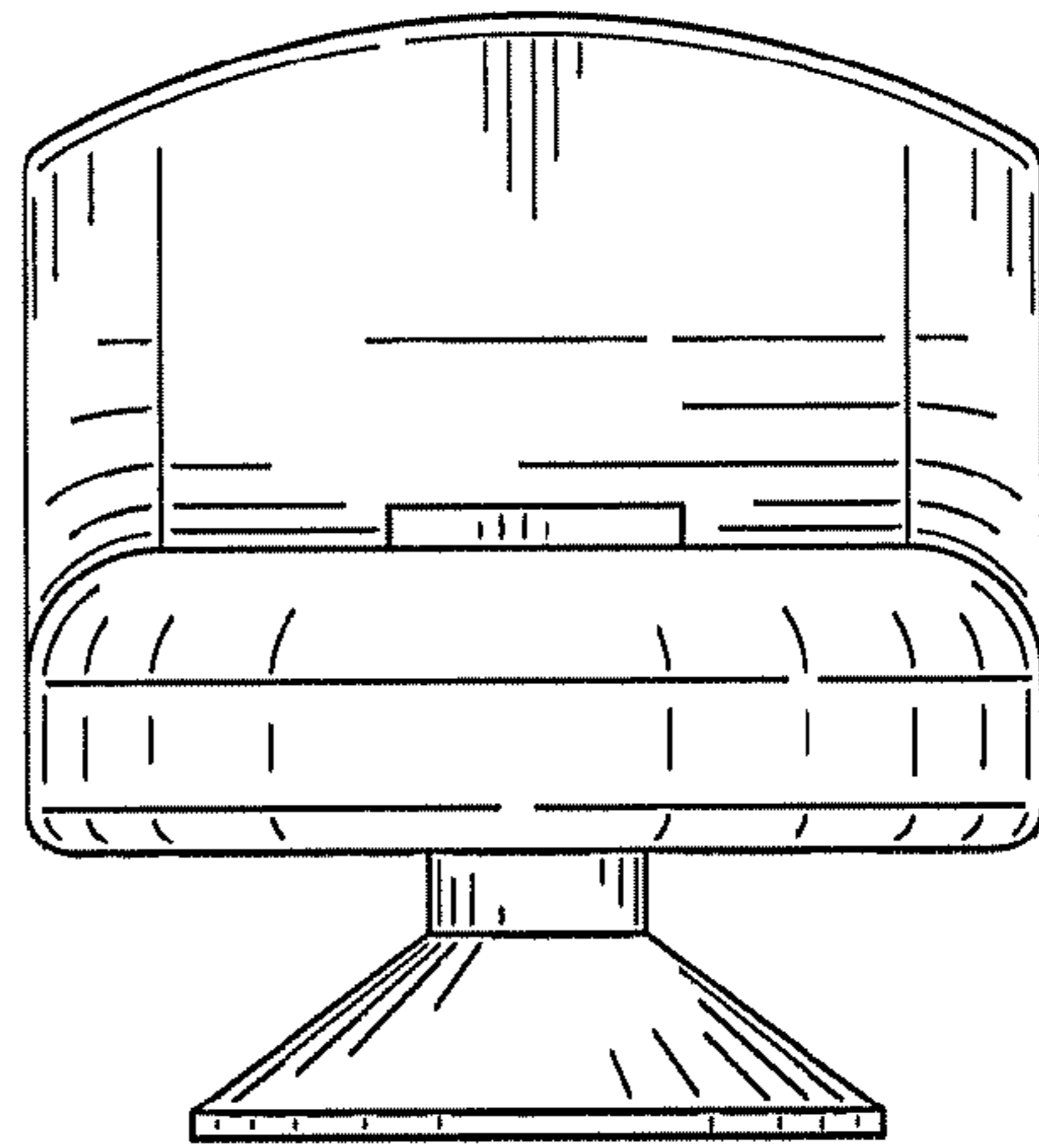


FIG. 5

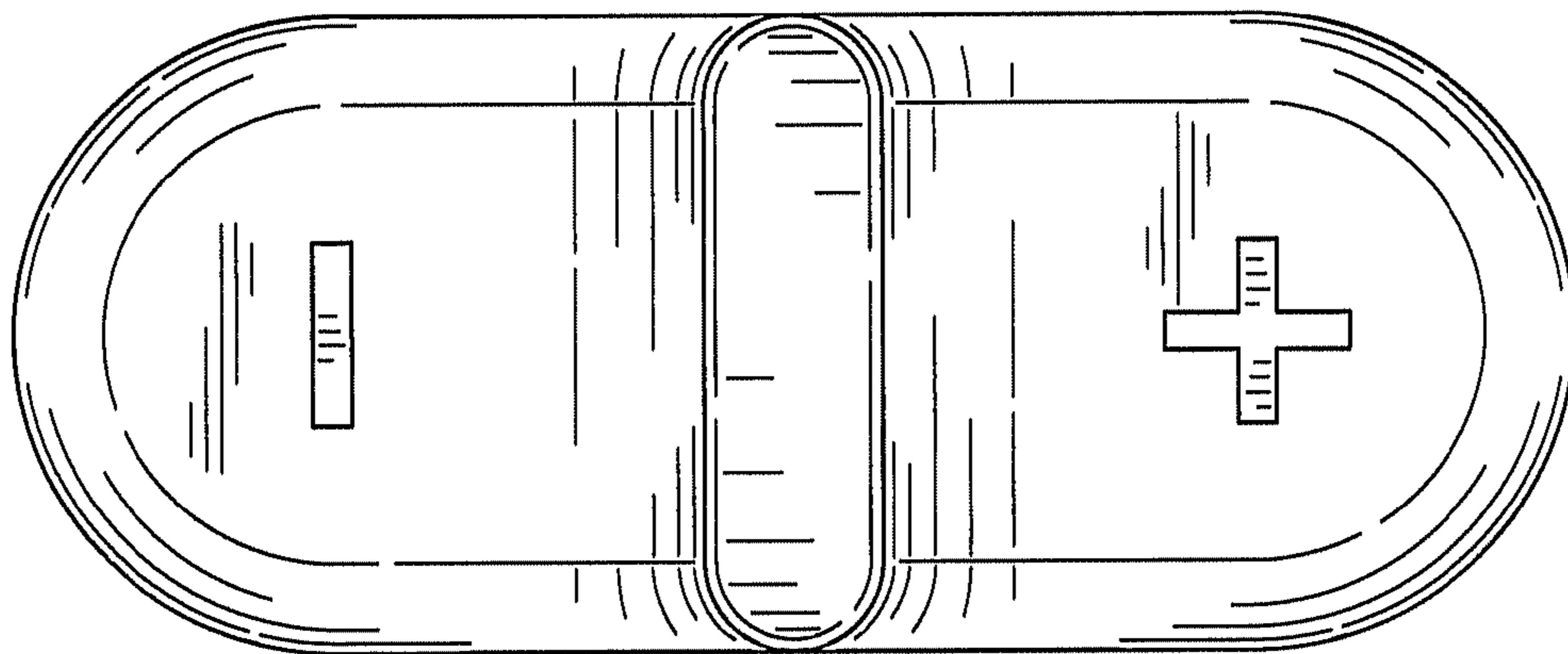


FIG. 6

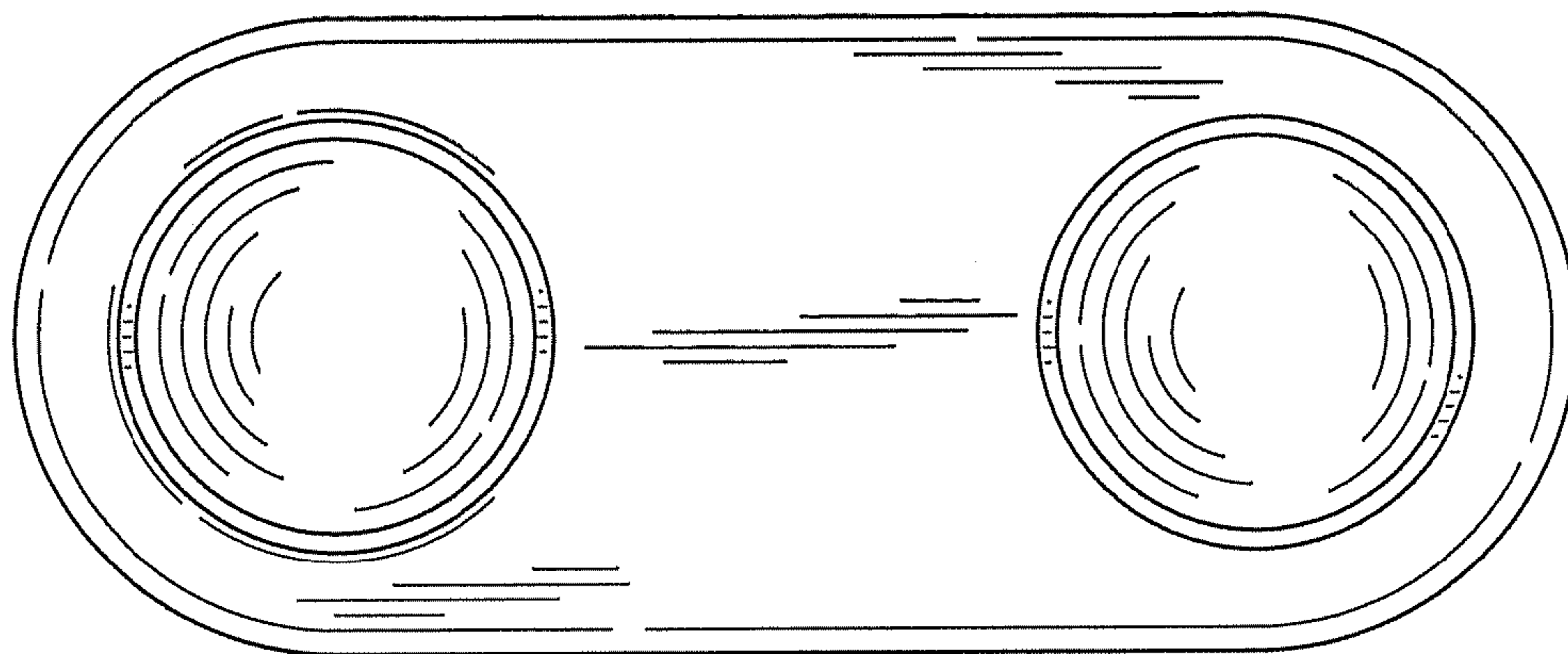


FIG. 7