



US00D695715S

(12) **United States Design Patent**
Burlingame et al.

(10) **Patent No.:** **US D695,715 S**
(45) **Date of Patent:** **** Dec. 17, 2013**

(54) **SPEAKER PANEL FOR A PLAYBACK DEVICE**

(75) Inventors: **Gregory B. Burlingame**, Woburn, MA (US); **Christopher Kallai**, Santa Barbara, CA (US); **Zivthan Dubrovsky**, Lexington, MA (US); **James Koo**, Renton, WA (US); **Jonathan P. Lang**, Santa Barbara, CA (US); **Wai-Loong Lim**, San Francisco, CA (US)

(73) Assignee: **Sonos, Inc.**, Santa Barbara, CA (US)

(**) Term: **14 Years**

(21) Appl. No.: **29/427,722**

(22) Filed: **Jul. 20, 2012**

(51) **LOC (9) Cl.** **14-01**

(52) **U.S. Cl.**
USPC **D14/217; D14/214**

(58) **Field of Classification Search**
USPC D14/162, 167–169, 175, 188, 196–199, D14/203, 217, 218, 356, 399–401, 434, D14/454–457, 496, 204, 221, 214, 224, D14/222; D21/324, 332, 333; 345/156–161, 345/905; 84/625, 660, 697; 381/118, 120, 381/334, 300–303, 306, 361–364, 370, 381/386–388; 455/350, 344

See application file for complete search history.

(56) **References Cited**

U.S. PATENT DOCUMENTS

4,842,939	A	*	6/1989	Scarati et al.	428/421
5,546,468	A	*	8/1996	Beard	381/86
5,848,042	A	*	12/1998	Takahashi et al.	720/647
5,852,594	A	*	12/1998	Kaise et al.	720/647
D485,543	S	*	1/2004	Allen	D14/214

D486,475	S	*	2/2004	Allen	D14/215
D505,942	S	*	6/2005	Meyer et al.	D14/215
D553,611	S	*	10/2007	Gan	D14/214
D553,641	S	*	10/2007	Williamson et al.	D14/496
D565,595	S	*	4/2008	Endo et al.	D14/496
D666,173	S	*	8/2012	Iijima et al.	D14/217
D678,250	S	*	3/2013	O'Donnell et al.	D14/217

* cited by examiner

Primary Examiner — Prabhakar Deshmukh

(74) *Attorney, Agent, or Firm* — Hanley, Flight and Zimmerman, LLC

(57) **CLAIM**

The ornamental design for a speaker panel for a playback device, as shown and described.

DESCRIPTION

FIG. 1 is an isometric view of a speaker panel for a playback device.

FIG. 2 is a side view of the speaker panel for a playback device of FIG. 1.

FIG. 3 is another side view of the speaker panel for a playback device of FIG. 1.

FIG. 4 is a front view of the speaker panel for a playback device of FIG. 1.

FIG. 5 is a rear view of the speaker panel for a playback device of FIG. 1.

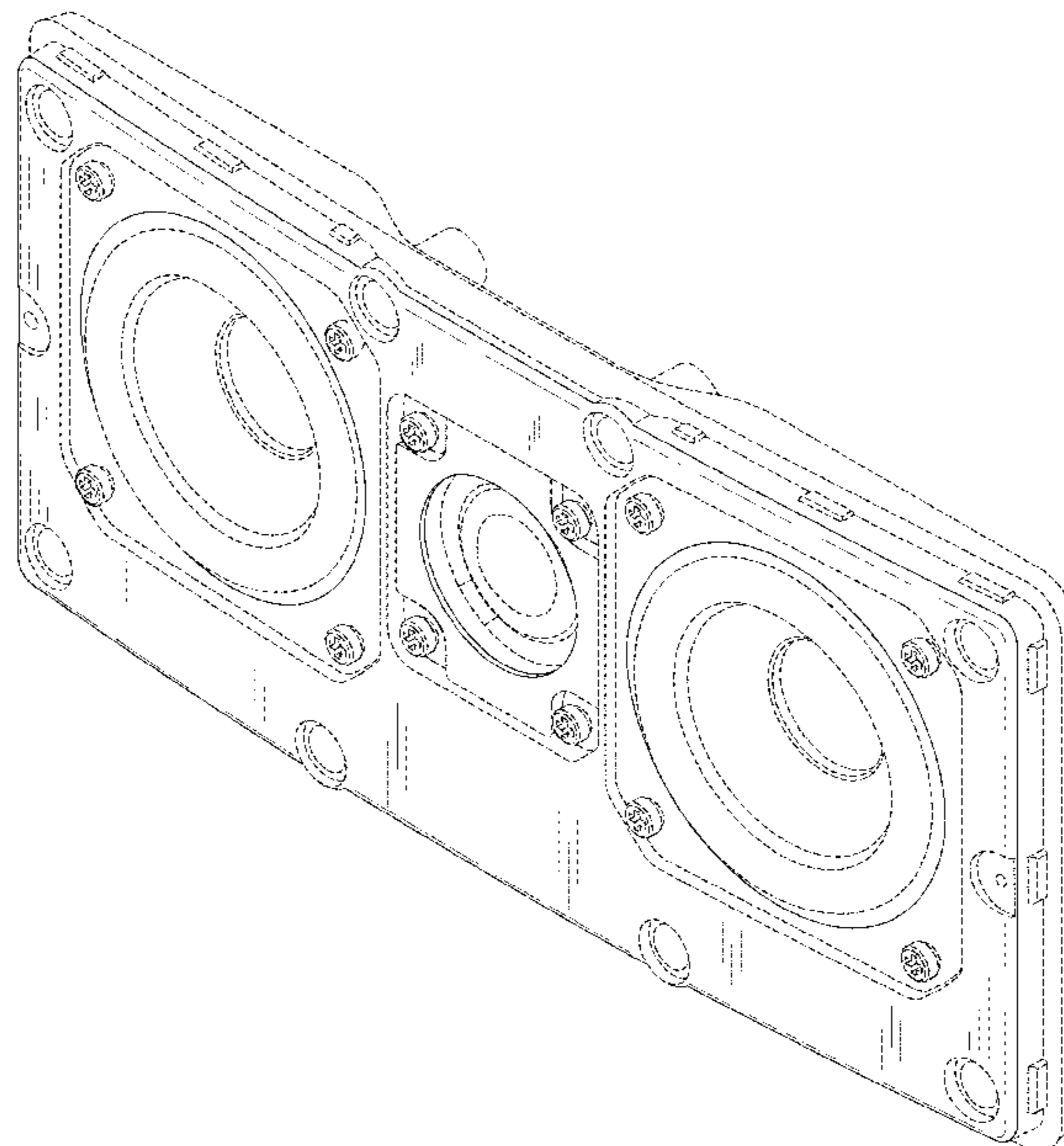
FIG. 6 is a top view of the speaker panel for a playback device of FIG. 1.

FIG. 7 is bottom view of the speaker panel for a playback device of FIG. 1; and,

FIG. 8 is an isometric view of the speaker panel for a playback device of FIG. 1 including a frame adjacent thereto.

The broken lines immediately adjacent to the shade lines form the bounds of the claimed design. Other broken lines indicate the disclaimed portions of the claimed design. None of the broken lines form part of the claimed design.

1 Claim, 6 Drawing Sheets



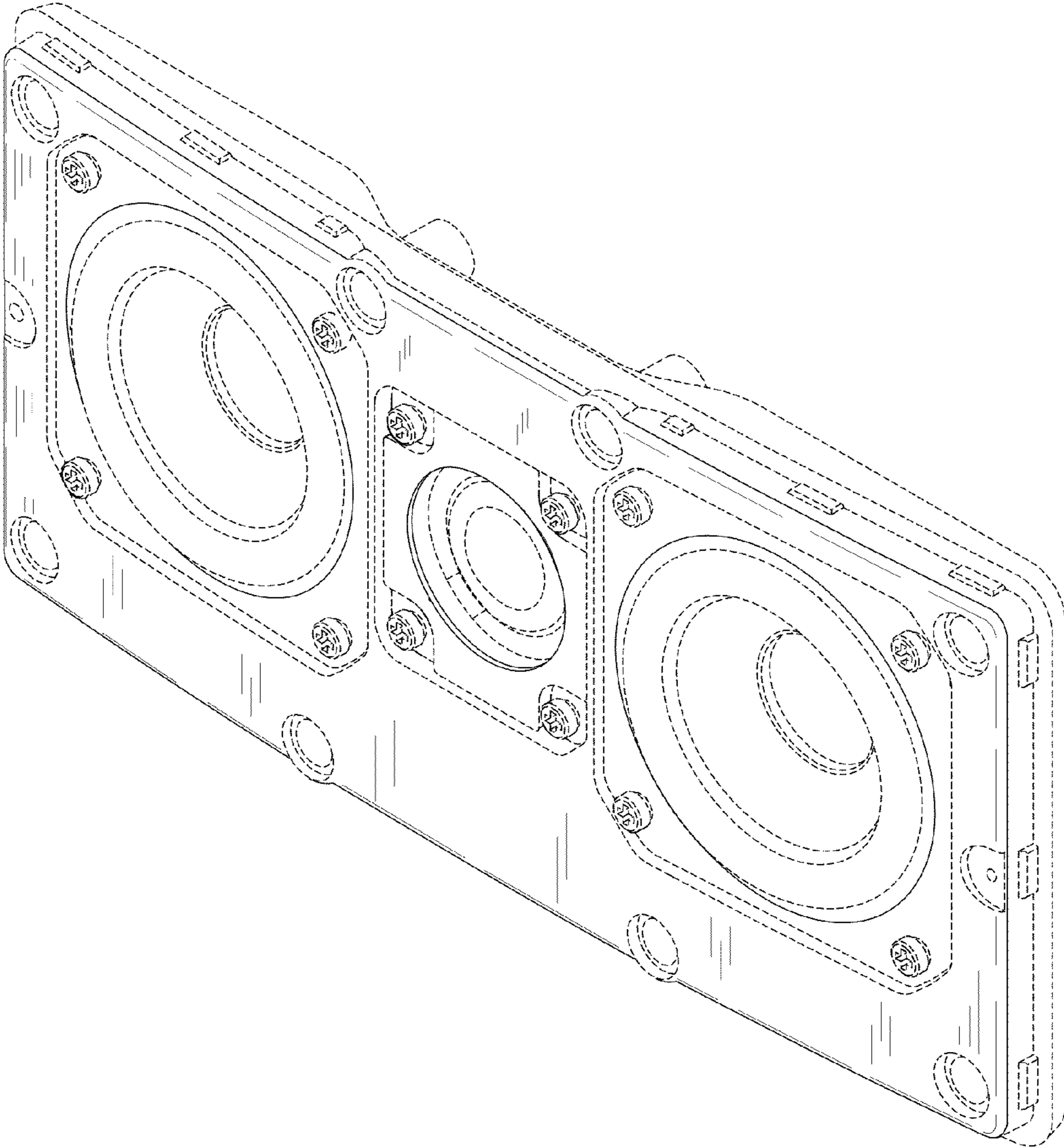


FIG. 1

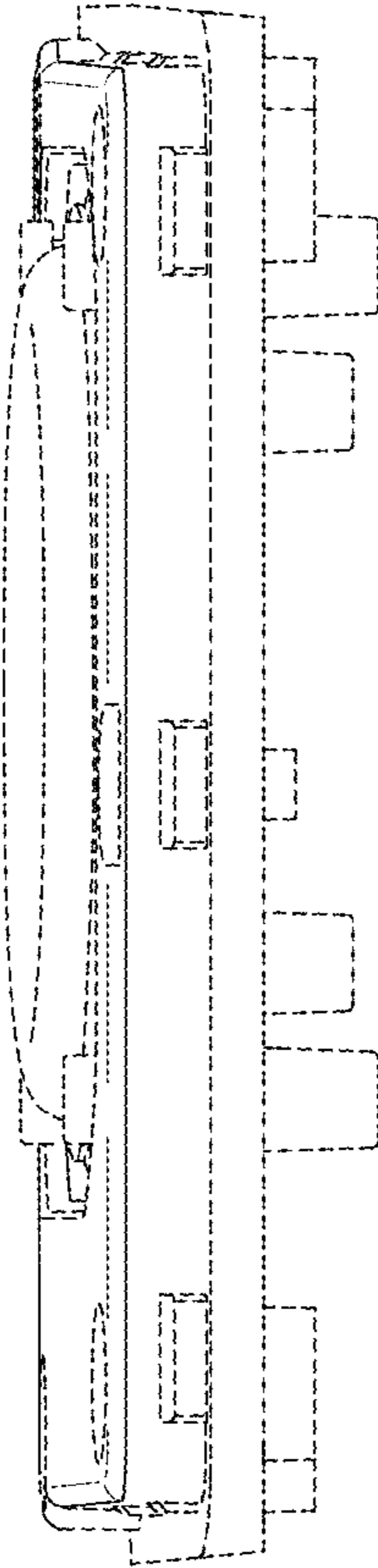


FIG. 2

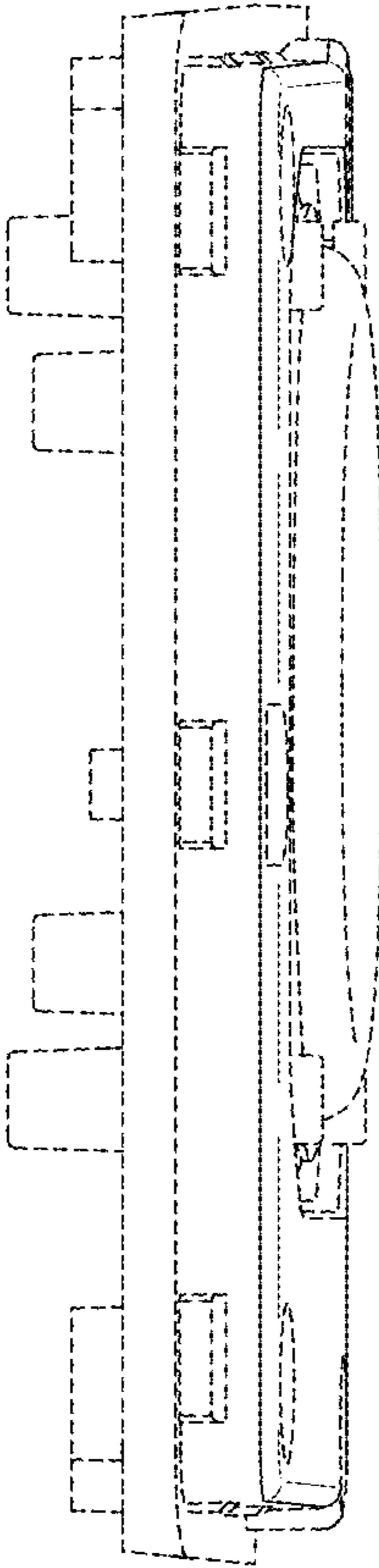


FIG. 3

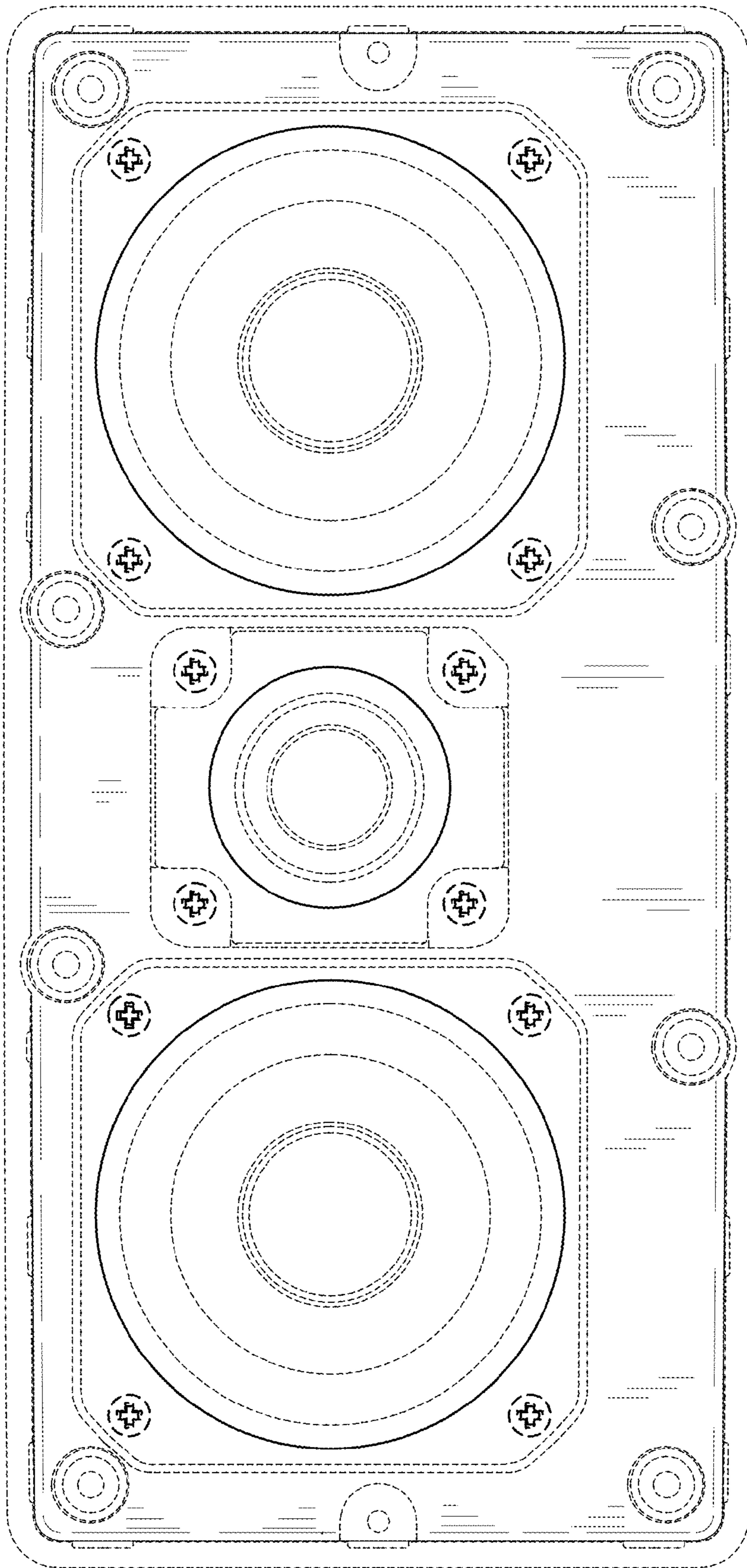


FIG. 4

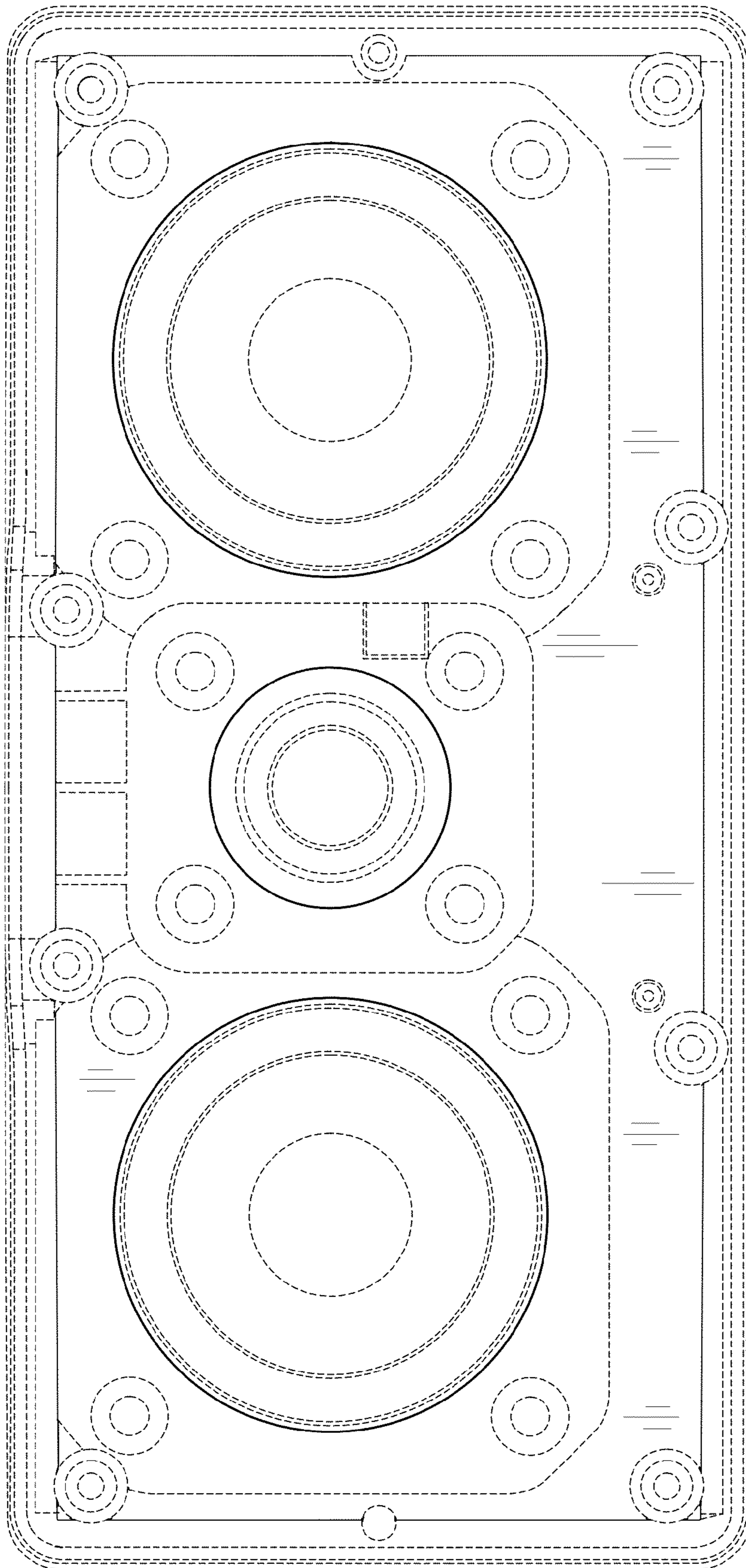


FIG. 5

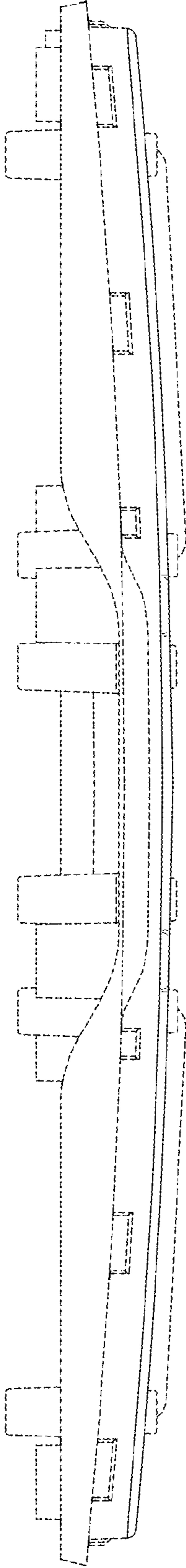


FIG. 6

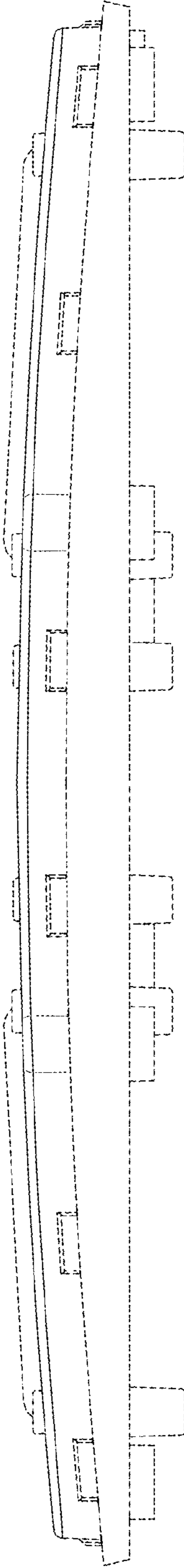


FIG. 7

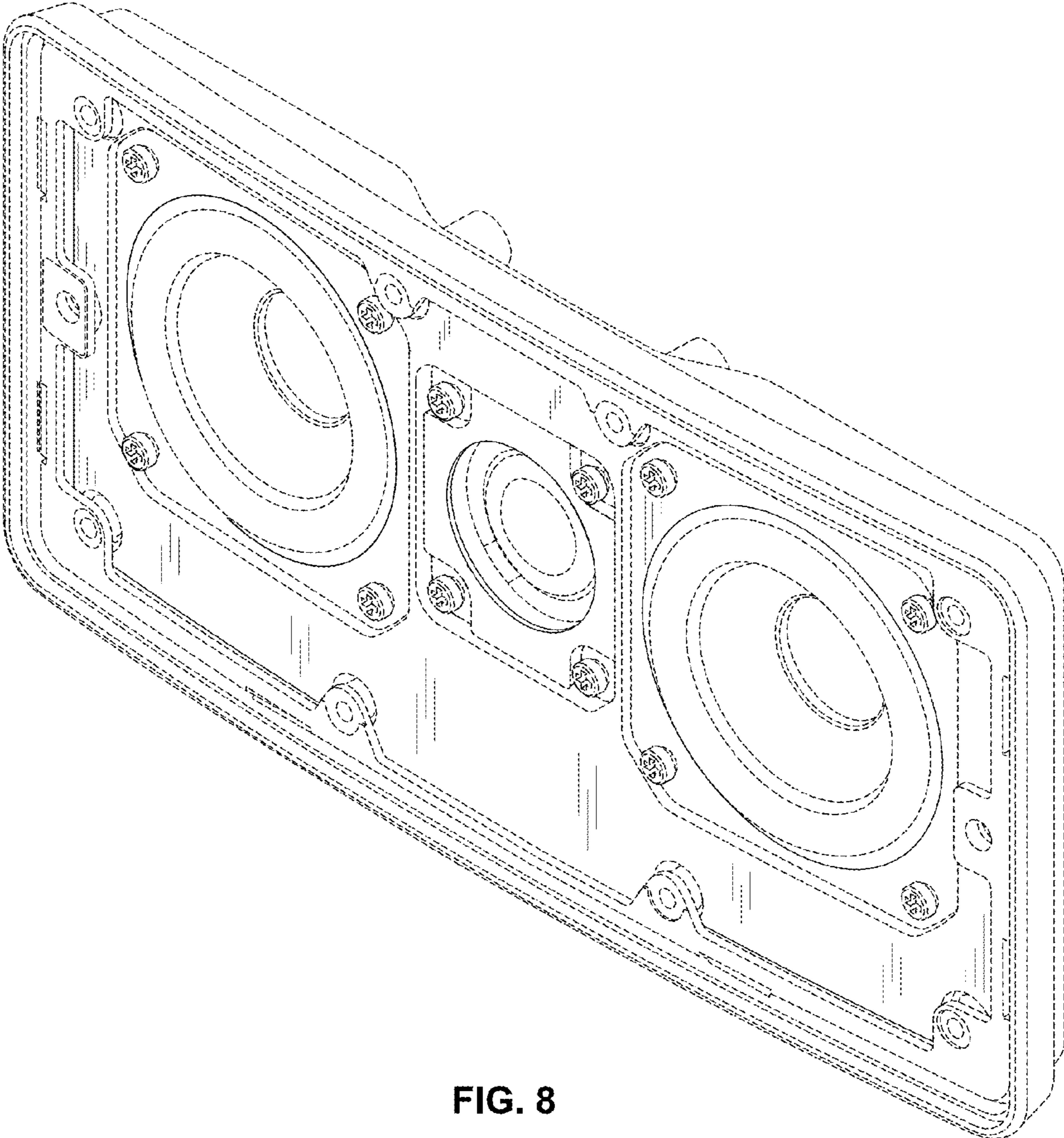


FIG. 8