



US00D695714S

(12) **United States Design Patent**
Lee

(10) **Patent No.:** **US D695,714 S**

(45) **Date of Patent:** **** Dec. 17, 2013**

(54) **SPEAKER**

(75) Inventor: **Tze Yen Lee**, Singapore (SG)

(73) Assignee: **XMI Pte Ltd.**, Singapore (SG)

(**) Term: **14 Years**

(21) Appl. No.: **29/411,874**

(22) Filed: **Jan. 27, 2012**

(51) **LOC (9) Cl.** **14-03**

(52) **U.S. Cl.**
USPC **D14/216**

(58) **Field of Classification Search**
USPC D14/172, 194, 196, 204, 207, 209.1,
D14/210–217, 219–222, 224; 181/143, 144,
181/147, 148, 150, 153, 157, 198, 199;
381/300–303, 306, 332, 333, 336, 345,
381/361–364, 386–388

See application file for complete search history.

(56) **References Cited**

U.S. PATENT DOCUMENTS

D602,911 S *	10/2009	Wang et al.	D14/216
D607,876 S *	1/2010	Huang	D14/216
D610,572 S *	2/2010	Skurdal	D14/216
D610,573 S *	2/2010	Joseph	D14/216
D620,480 S *	7/2010	Garrett	D14/216

D635,554 S *	4/2011	Lee	D14/216
D643,408 S *	8/2011	Huang	D14/216
D656,486 S *	3/2012	Parraga Gimeno	D14/216

* cited by examiner

Primary Examiner — Keli L Hill

(74) *Attorney, Agent, or Firm* — Inventa Capital PLC

(57) **CLAIM**

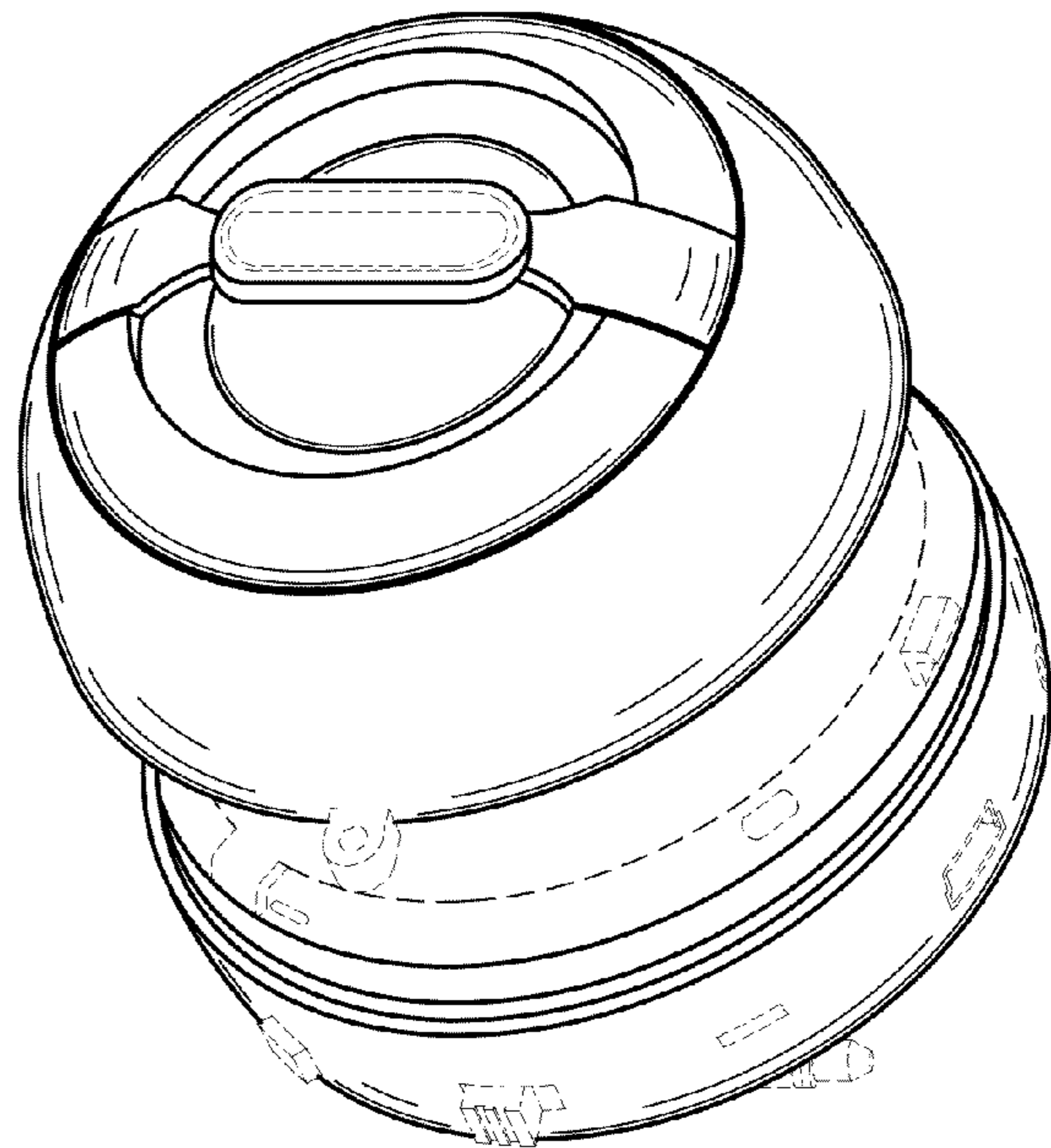
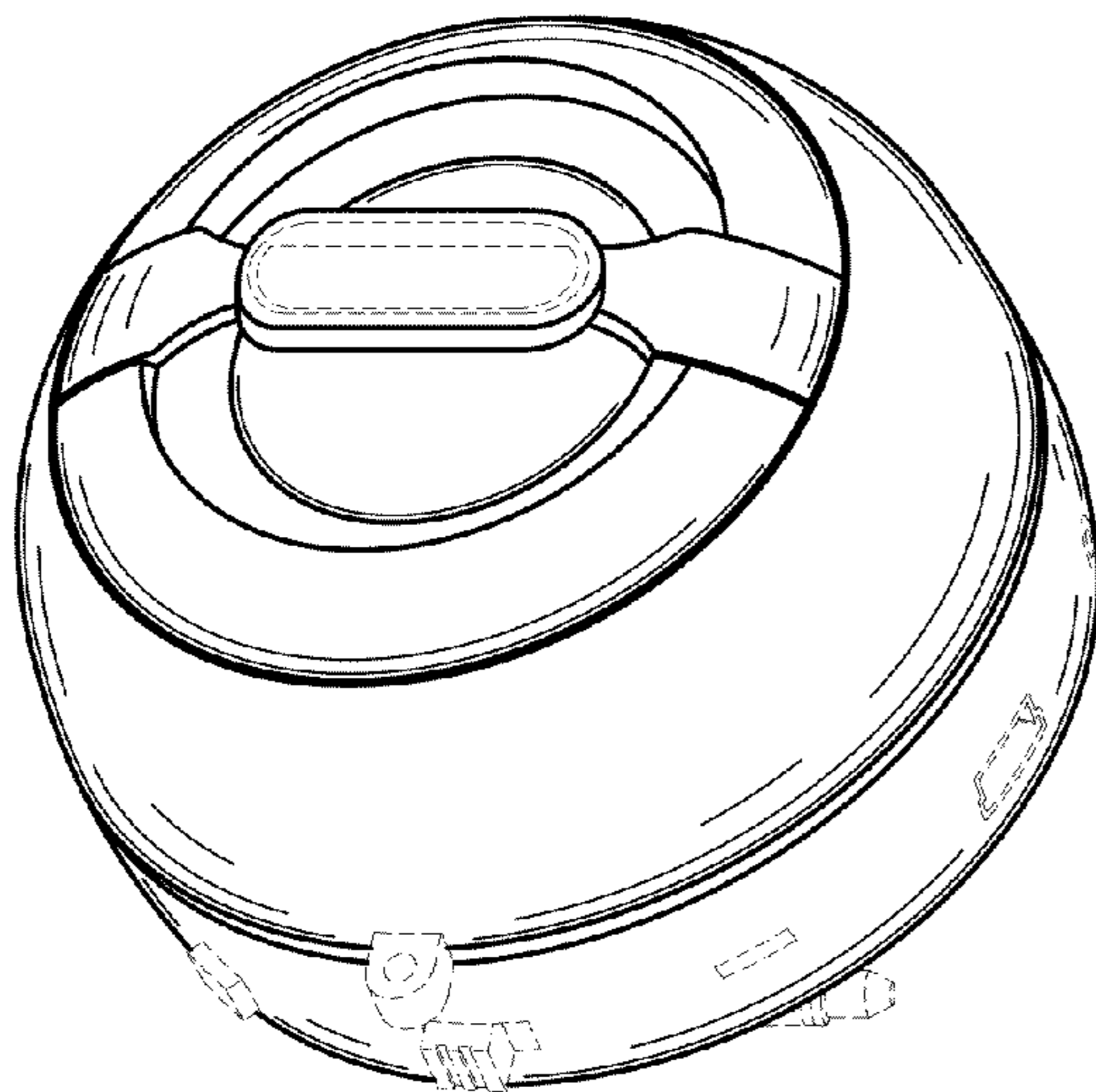
The ornamental design for a speaker, as shown and described.

DESCRIPTION

FIG. 1 is a perspective view of the top of a speaker in its closed position;
 FIG. 2 is a perspective view of the top of a speaker in its open position;
 FIG. 3 is a front view of a speaker in its closed position;
 FIG. 4 is a front view of a speaker in its open position;
 FIG. 5 is a rear view of a speaker in its closed position;
 FIG. 6 is a rear view of a speaker in its open position;
 FIG. 7 is a side view of a speaker in its closed position;
 FIG. 8 is a side view of a speaker in its closed position;
 FIG. 9 is a top view of a speaker; and,
 FIG. 10 is a bottom view of a speaker.

The broken lines are directed to environment and are for illustrative purposes only; the broken lines form no part of the claimed design.

1 Claim, 5 Drawing Sheets



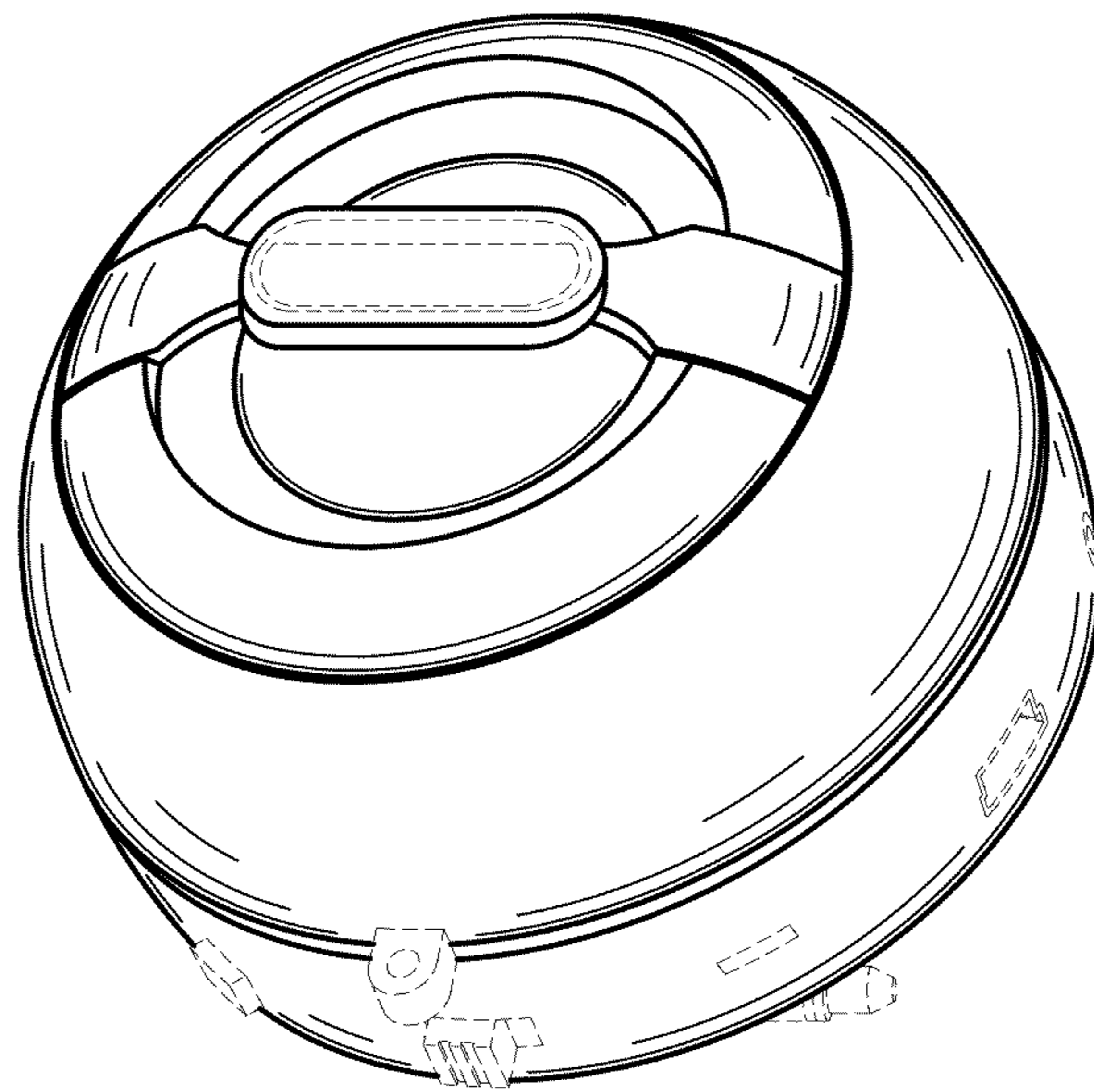


FIG. 1

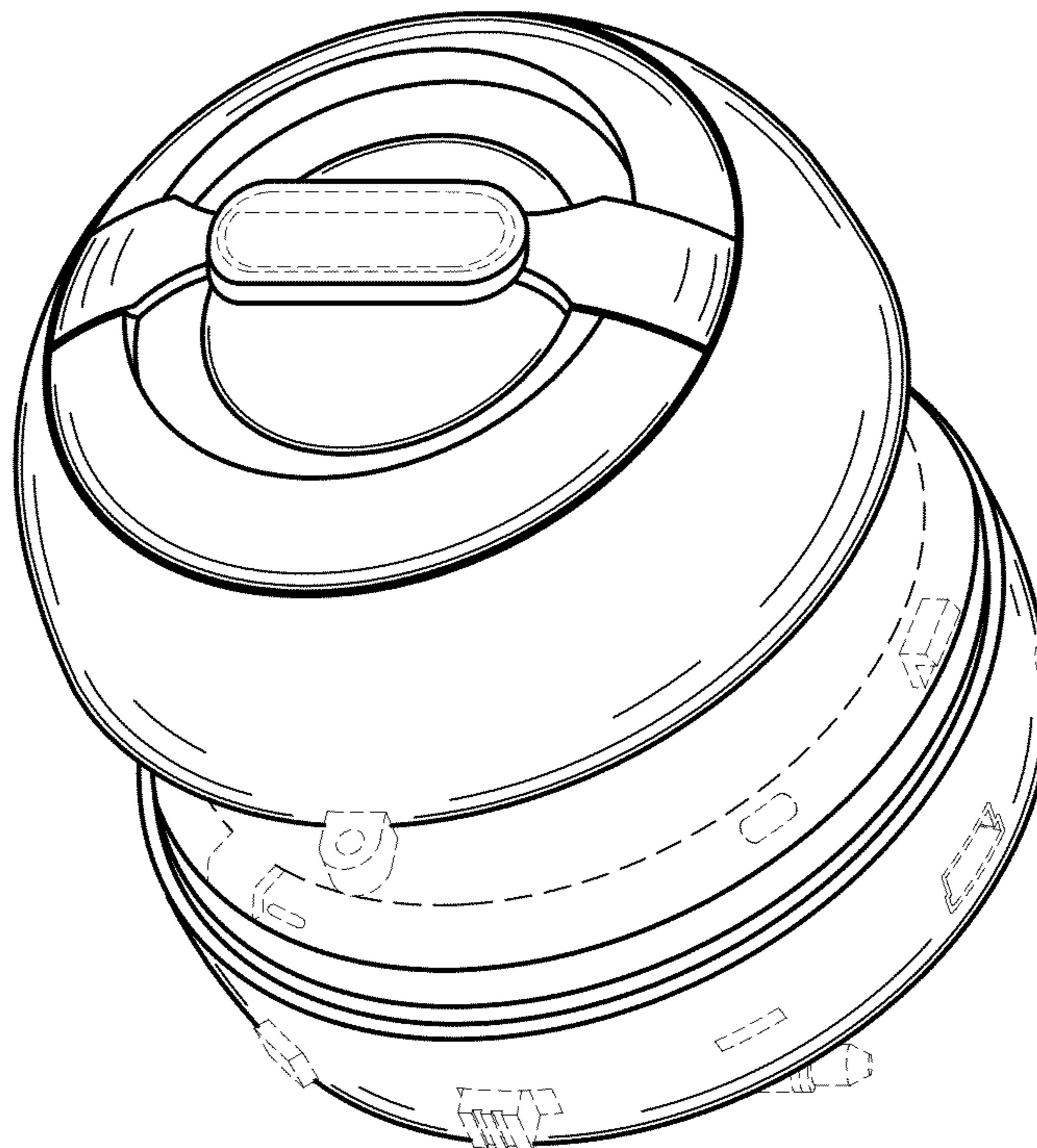


FIG. 2

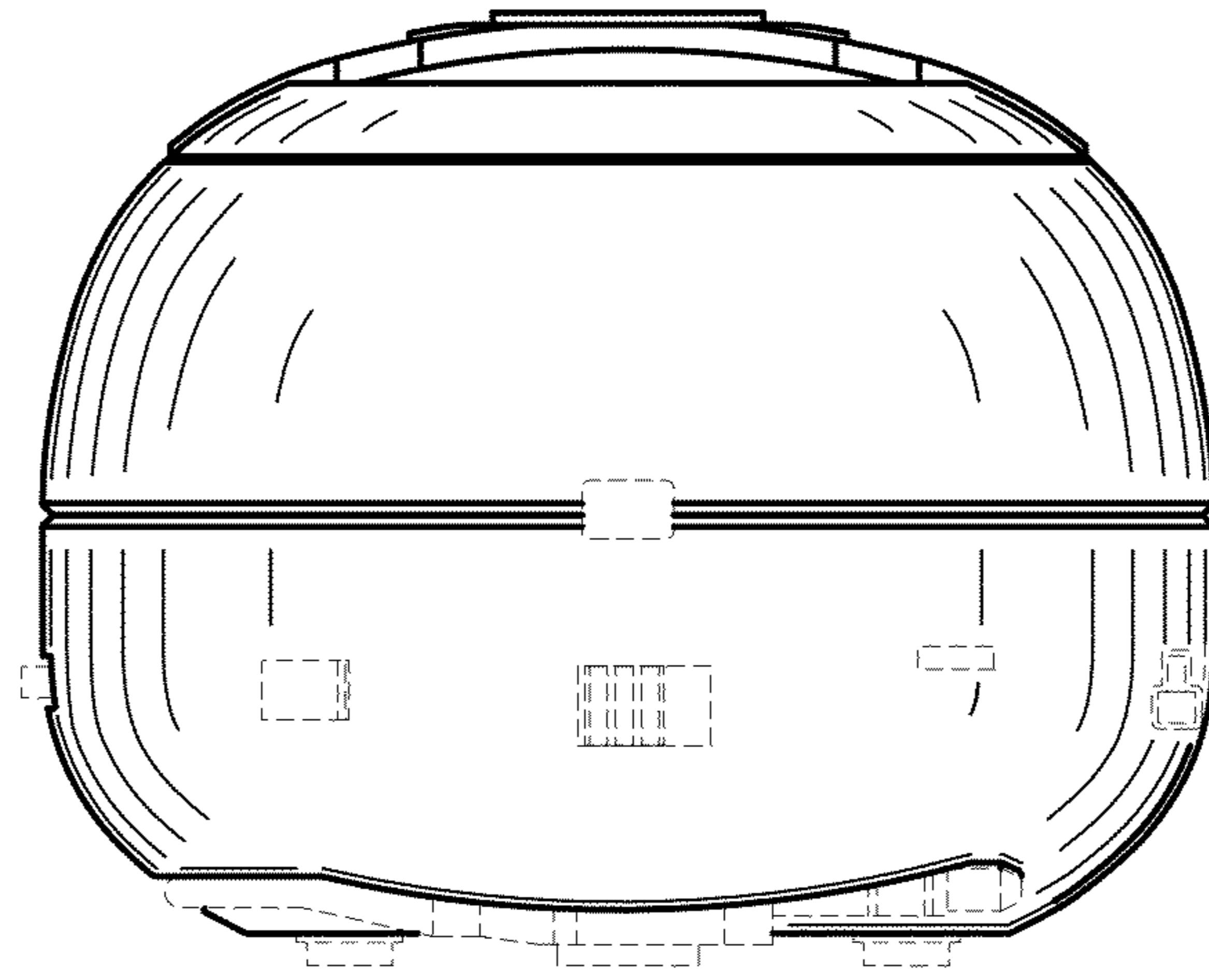


FIG. 3

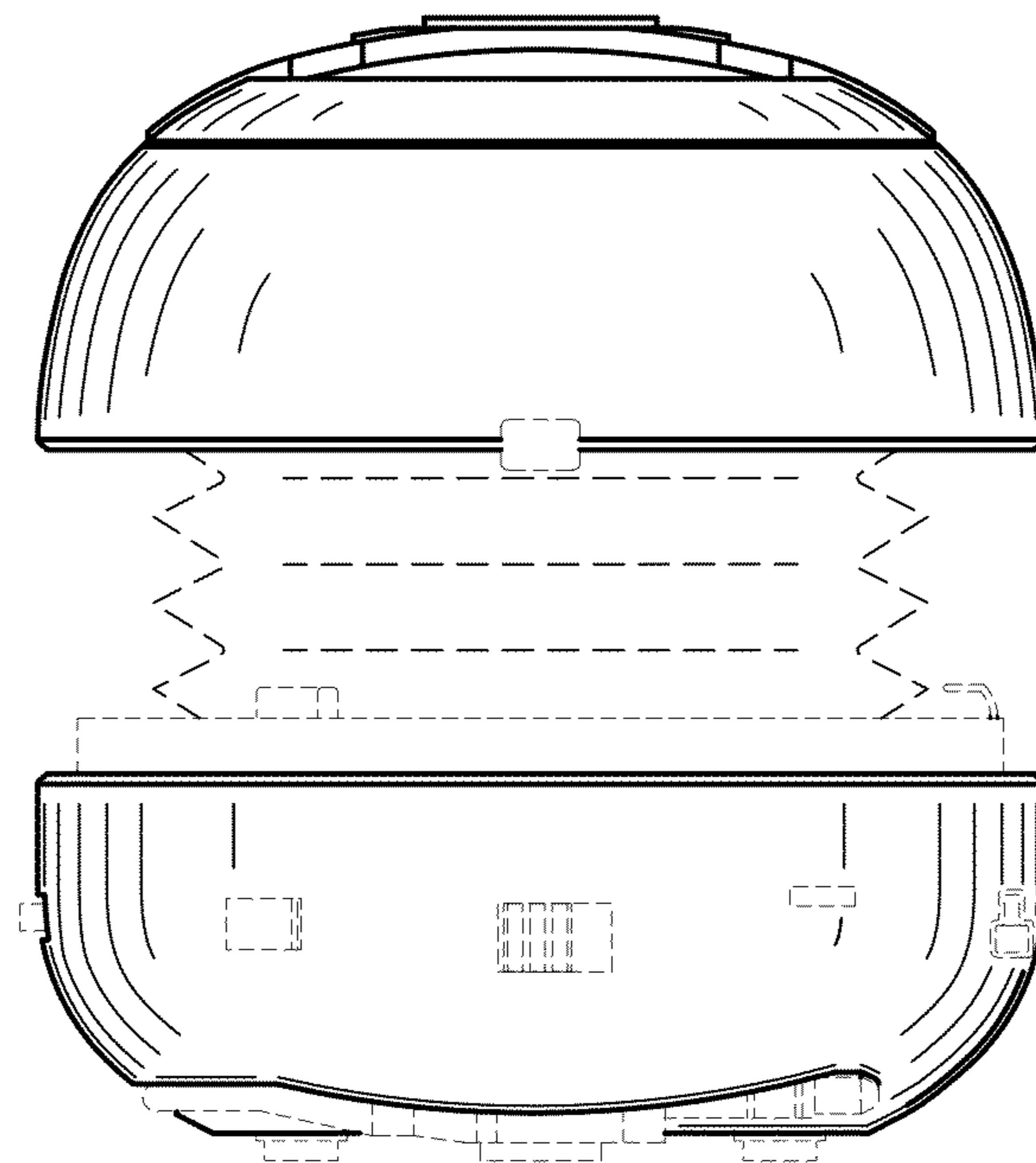


FIG. 4

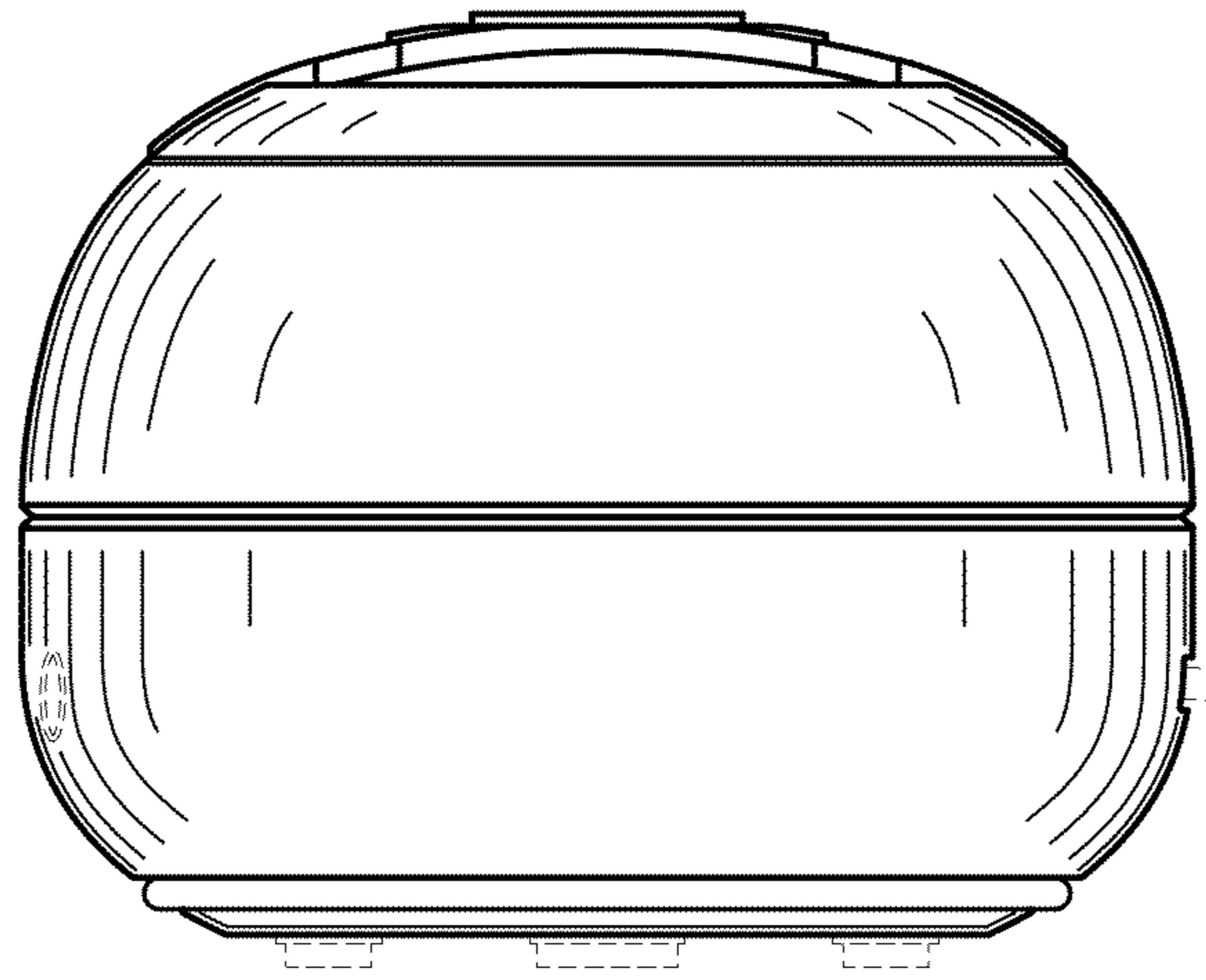


FIG. 5

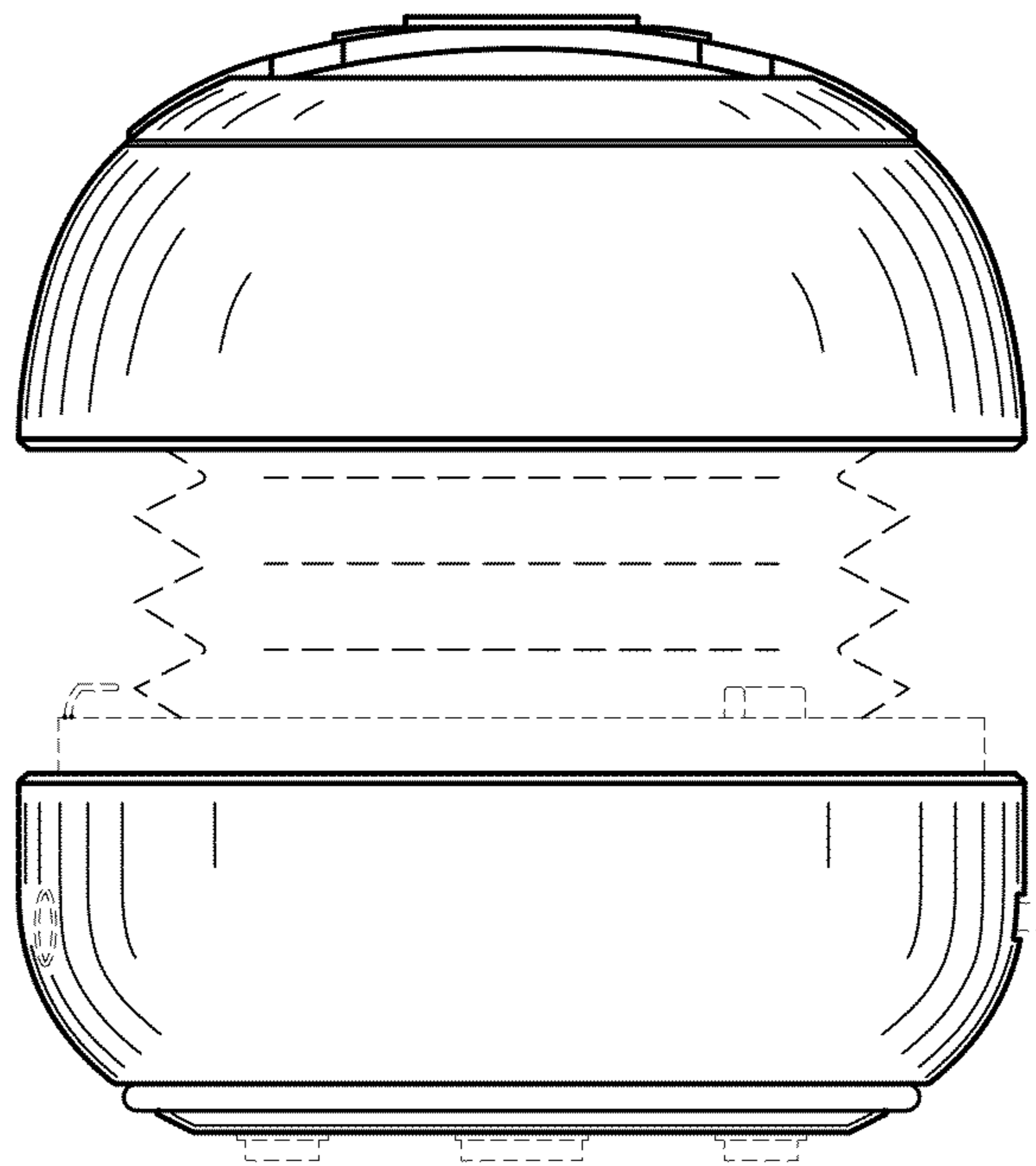


FIG. 6

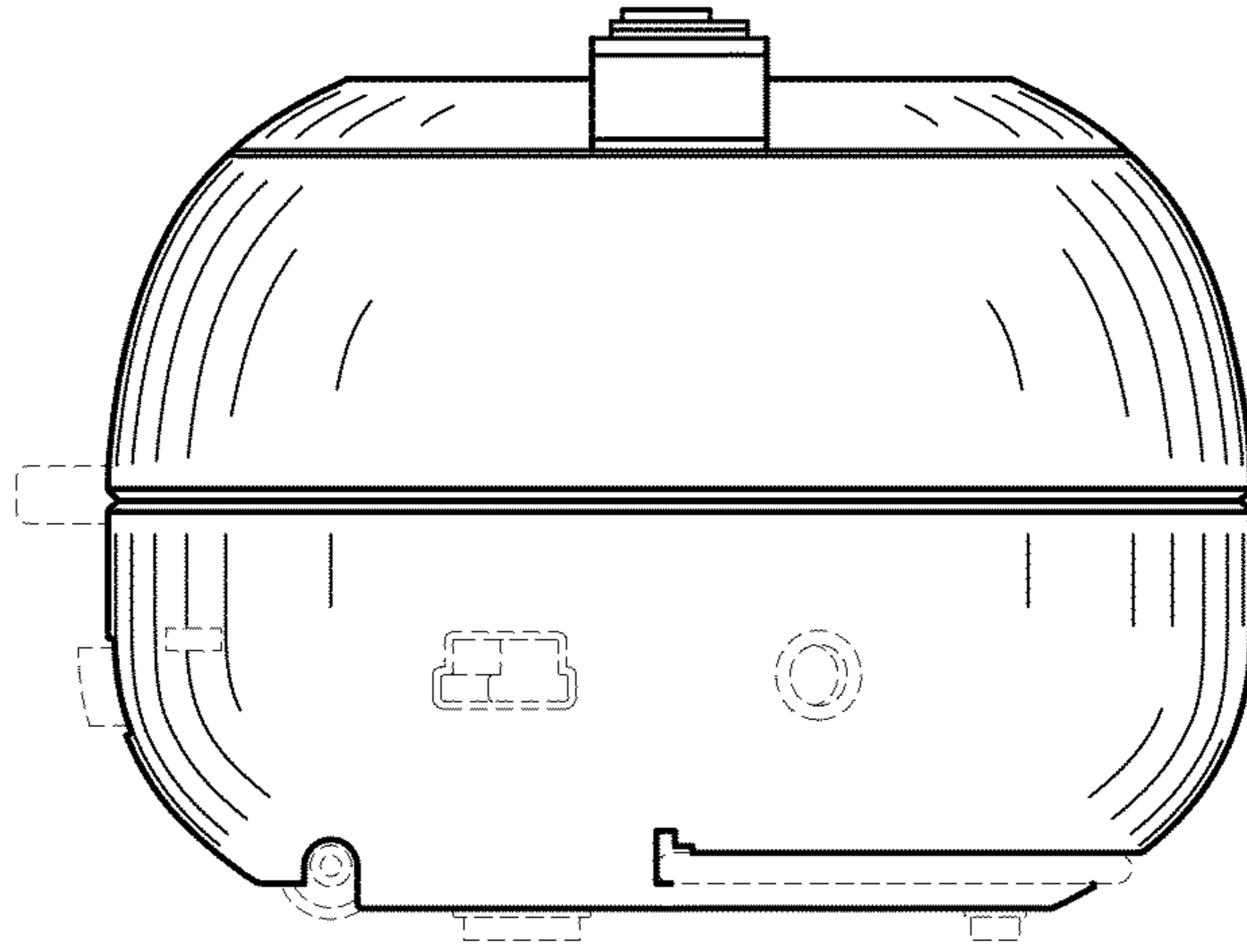


FIG. 7

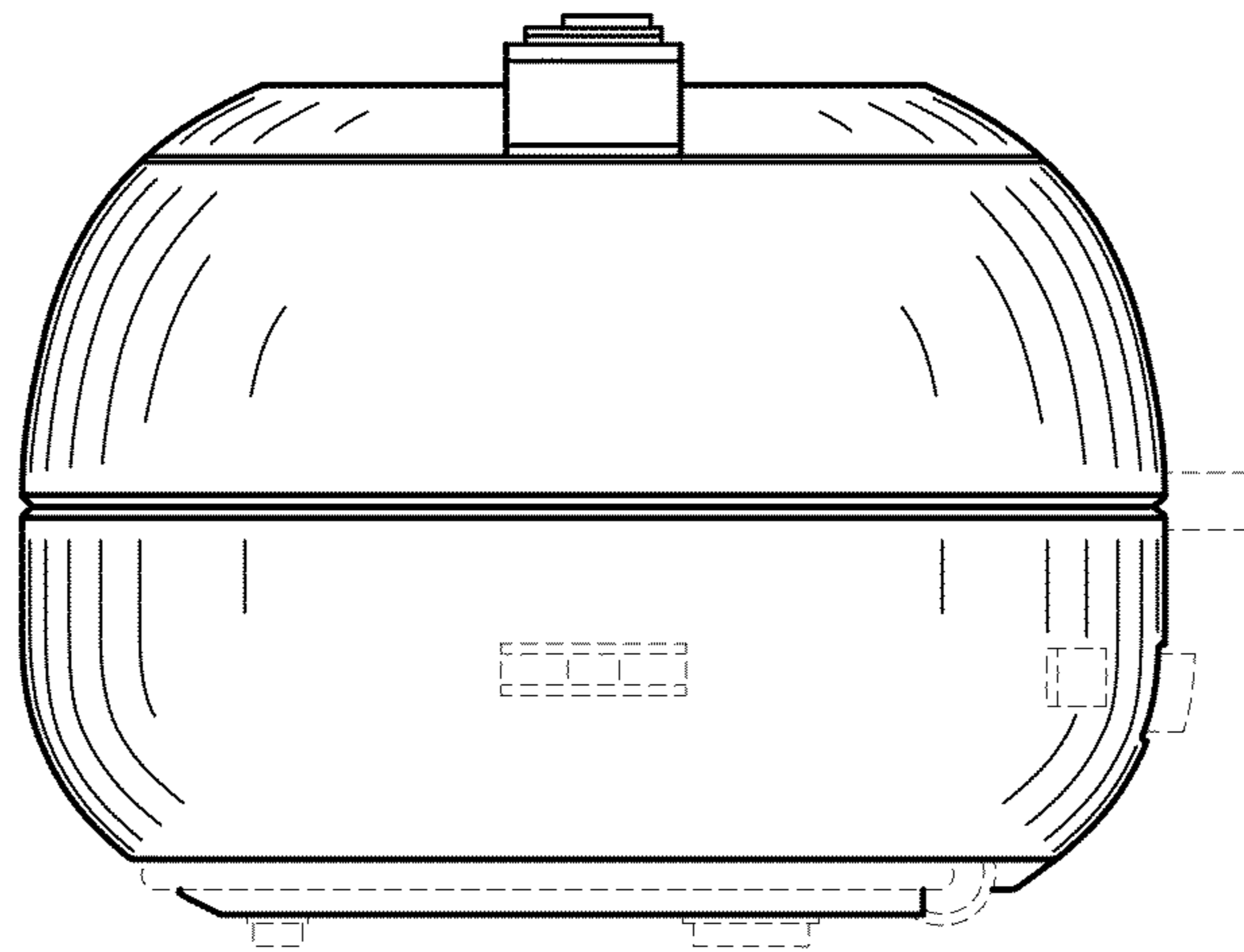


FIG. 8

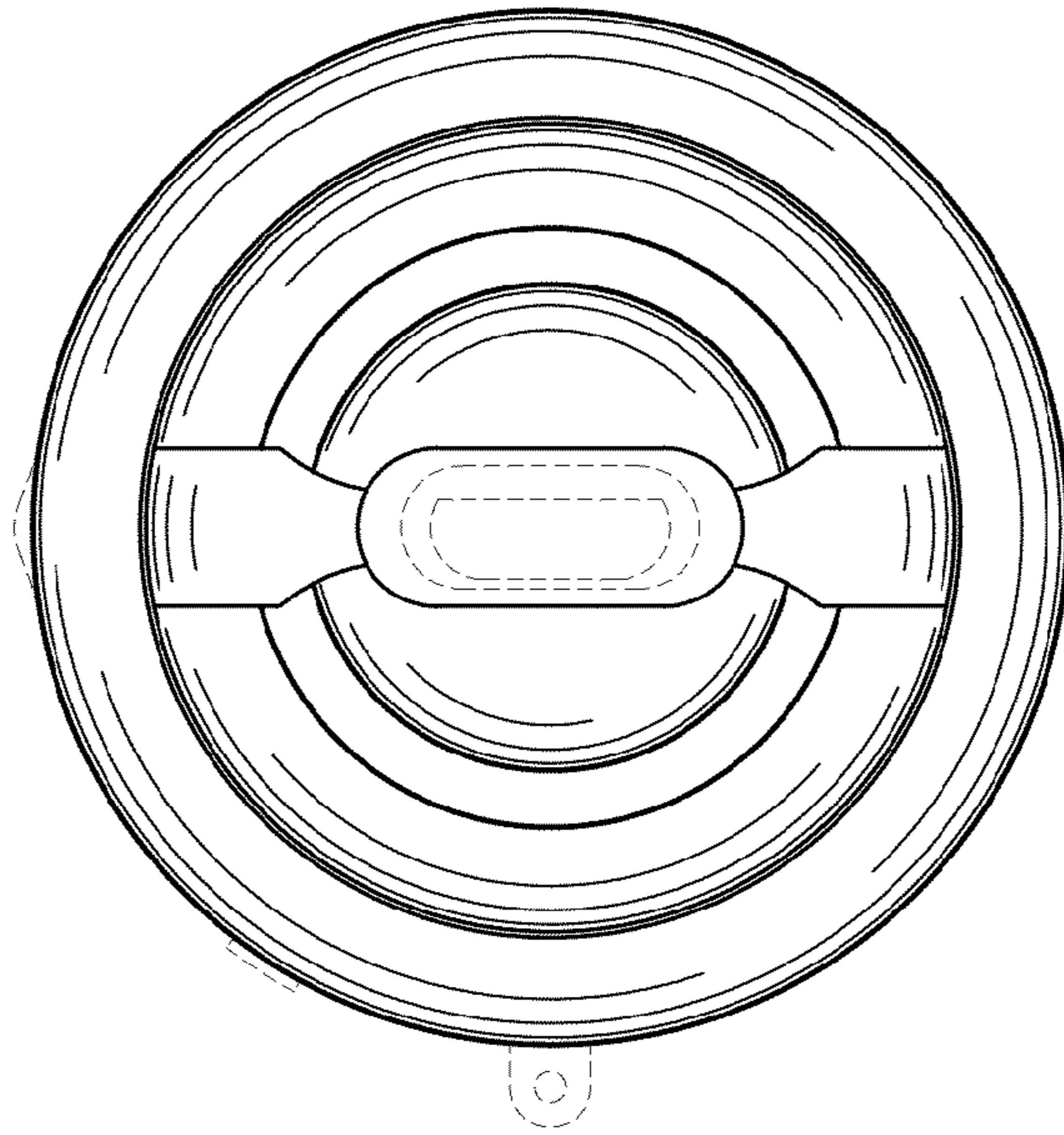


FIG. 9

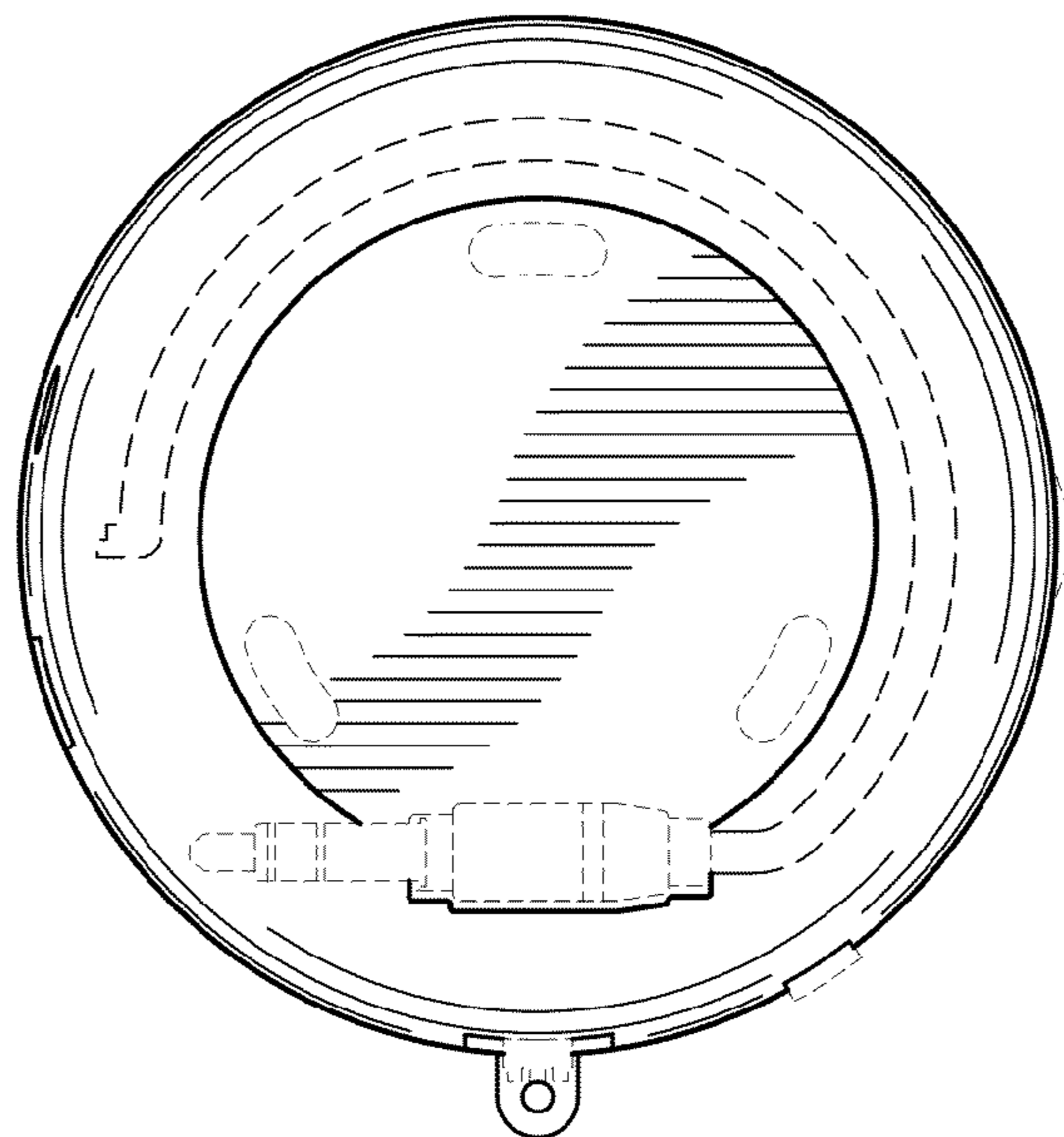


FIG. 10