

US00D695712S

(12) **United States Design Patent**
Szymanski et al.

(10) **Patent No.:** **US D695,712 S**

(45) **Date of Patent:** **** Dec. 17, 2013**

(54) **PORTABLE SPEAKER**

(71) Applicants: **Aaron Szymanski**, Thomaston, CT
(US); **Anand Khubani**, Towaco, NJ
(US)

(72) Inventors: **Aaron Szymanski**, Thomaston, CT
(US); **Anand Khubani**, Towaco, NJ
(US)

(73) Assignee: **Idea Village Products, Inc**, Wayne, NJ
(US)

(**) Term: **14 Years**

(21) Appl. No.: **29/442,363**

(22) Filed: **Feb. 13, 2013**

(51) **LOC (9) Cl.** **14-03**

(52) **U.S. Cl.**
USPC **D14/214**

(58) **Field of Classification Search**
USPC D14/172, 192, 194, 196, 204, 207,
D14/209.1, 210–217, 219–222, 224;
181/143, 144, 147, 148, 150, 153, 157,
181/198, 199; 381/300–303, 306, 332, 333,
381/336, 345, 361–364, 386–388

See application file for complete search history.

(56) **References Cited**

U.S. PATENT DOCUMENTS

D242,259 S *	11/1976	Babb	D14/214
4,281,738 A *	8/1981	Jackson	181/151
D361,071 S *	8/1995	Mark	D14/211
D552,127 S *	10/2007	Song	D14/496
D561,168 S *	2/2008	Song et al.	D14/192
D646,665 S *	10/2011	Iijima	D14/214
D677,246 S *	3/2013	Furukawa	D14/214
D678,865 S *	3/2013	Behar et al.	D14/214
D690,280 S *	9/2013	Schul	D14/188

* cited by examiner

Primary Examiner — Keli L Hill

(74) *Attorney, Agent, or Firm* — Dan DeLaRosa

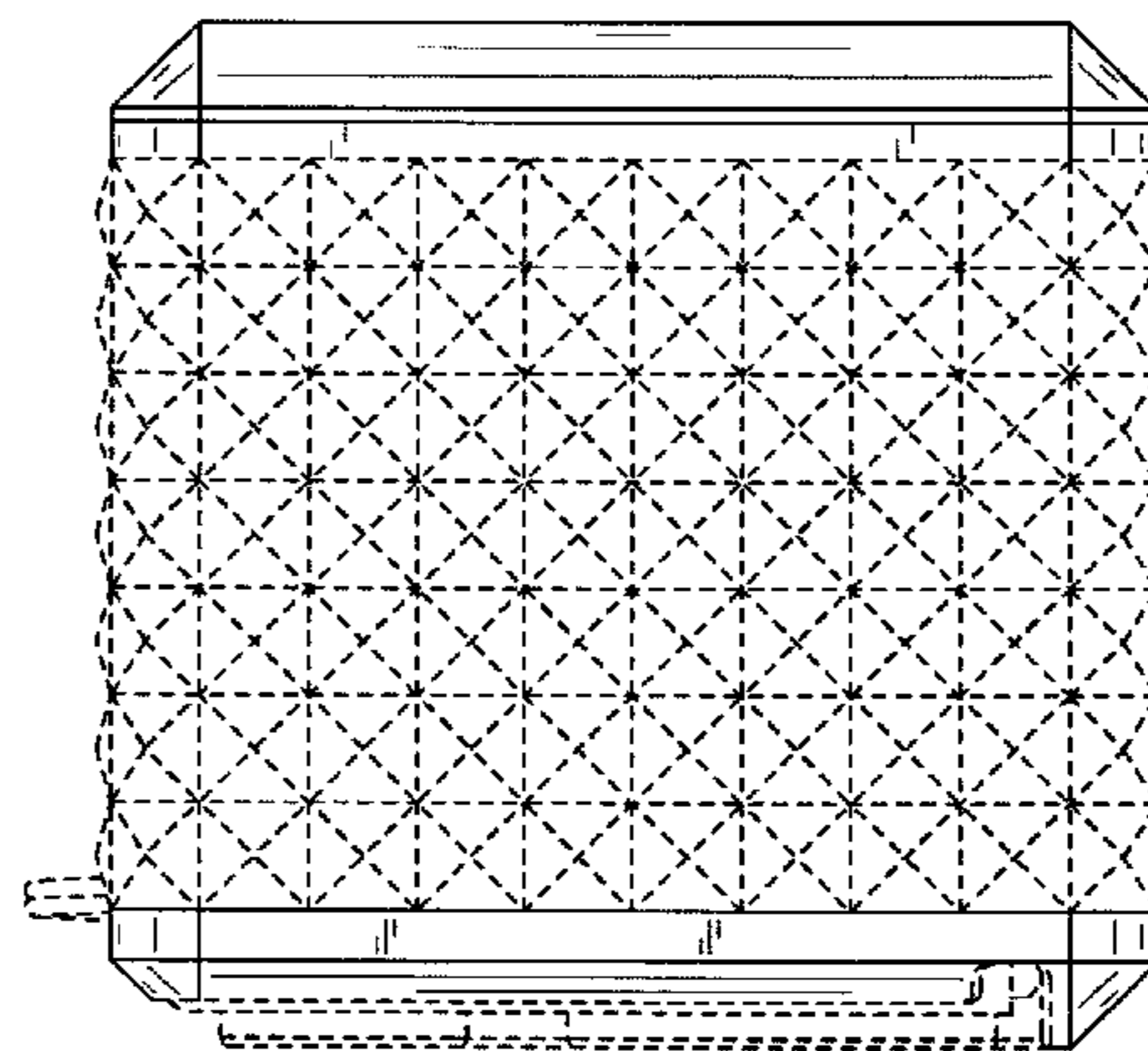
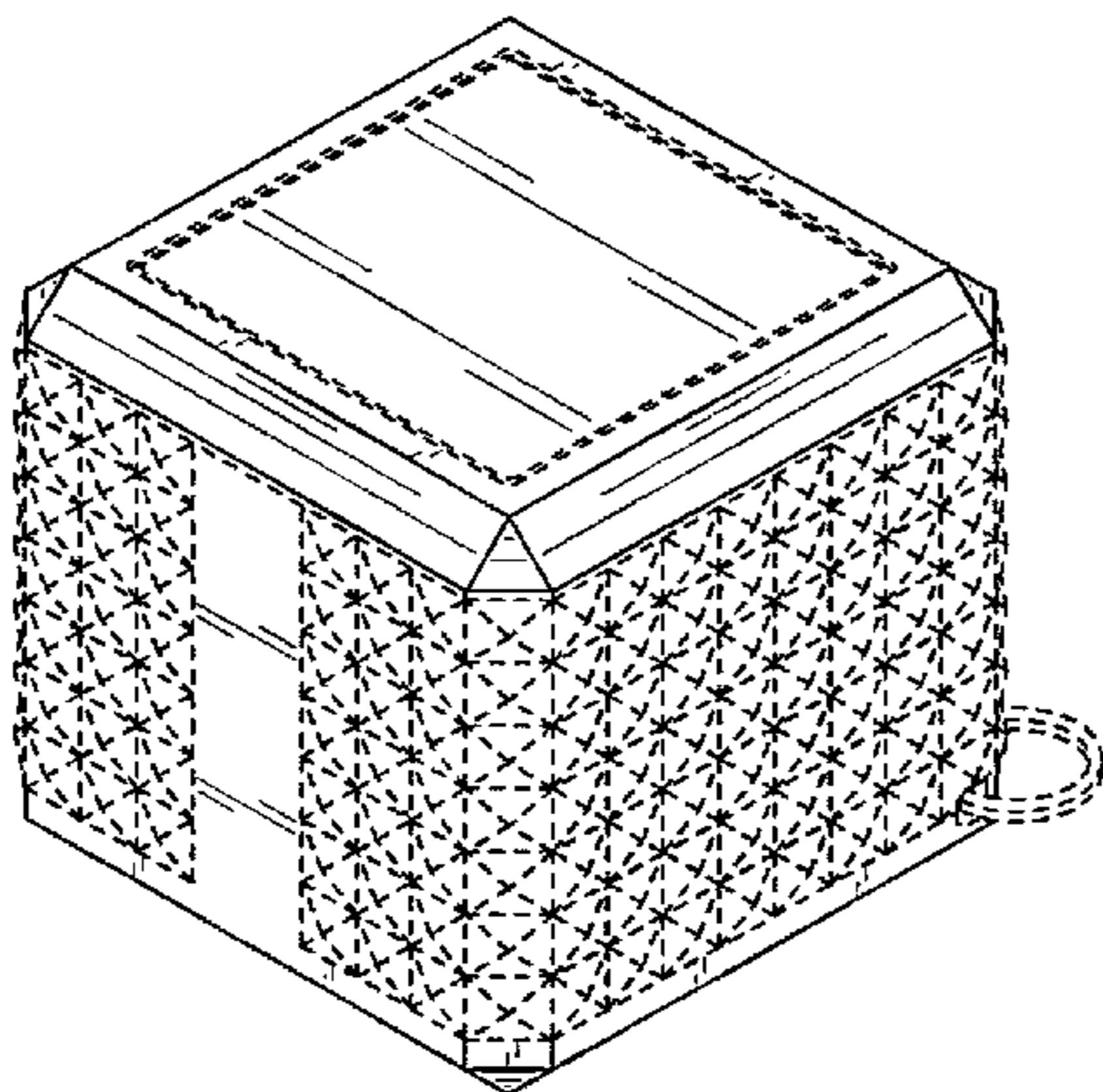
(57) **CLAIM**

The ornamental design for portable speaker, as shown and described.

DESCRIPTION

FIG. 1 is a front perspective view of the portable speaker of the present invention showing my new design; FIG. 2 is a front side elevational view thereof; FIG. 3 is a back side elevational view thereof; FIG. 4 is a side elevational view thereof; FIG. 5 is another side elevational view thereof; FIG. 6 is a top plan view thereof; and, FIG. 7 is a bottom plan view thereof. The broken lines shown are included for the purpose of illustrating portions of the portable speaker that form no part of the claim.

1 Claim, 7 Drawing Sheets



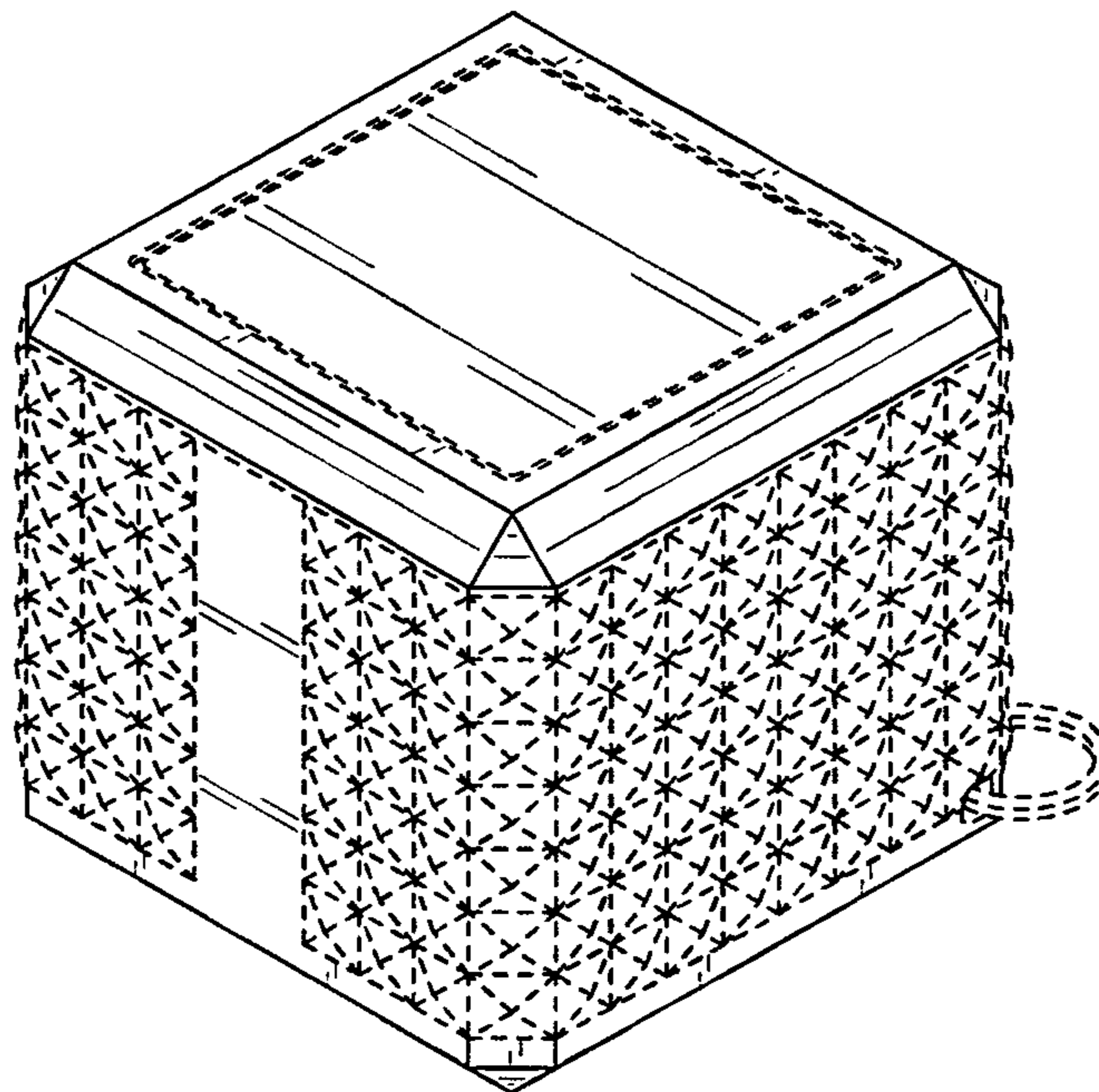


FIG. 1

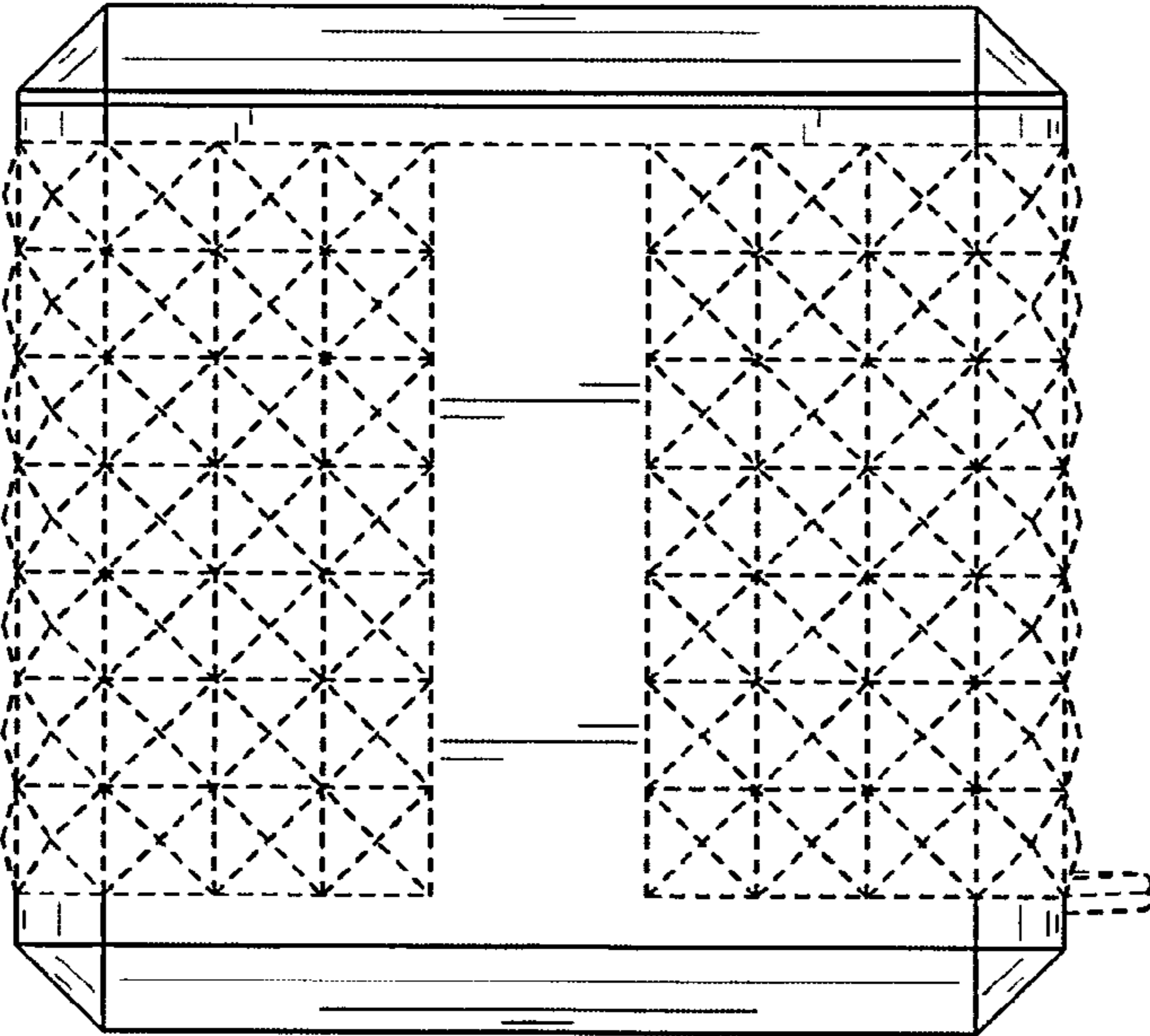


FIG. 2

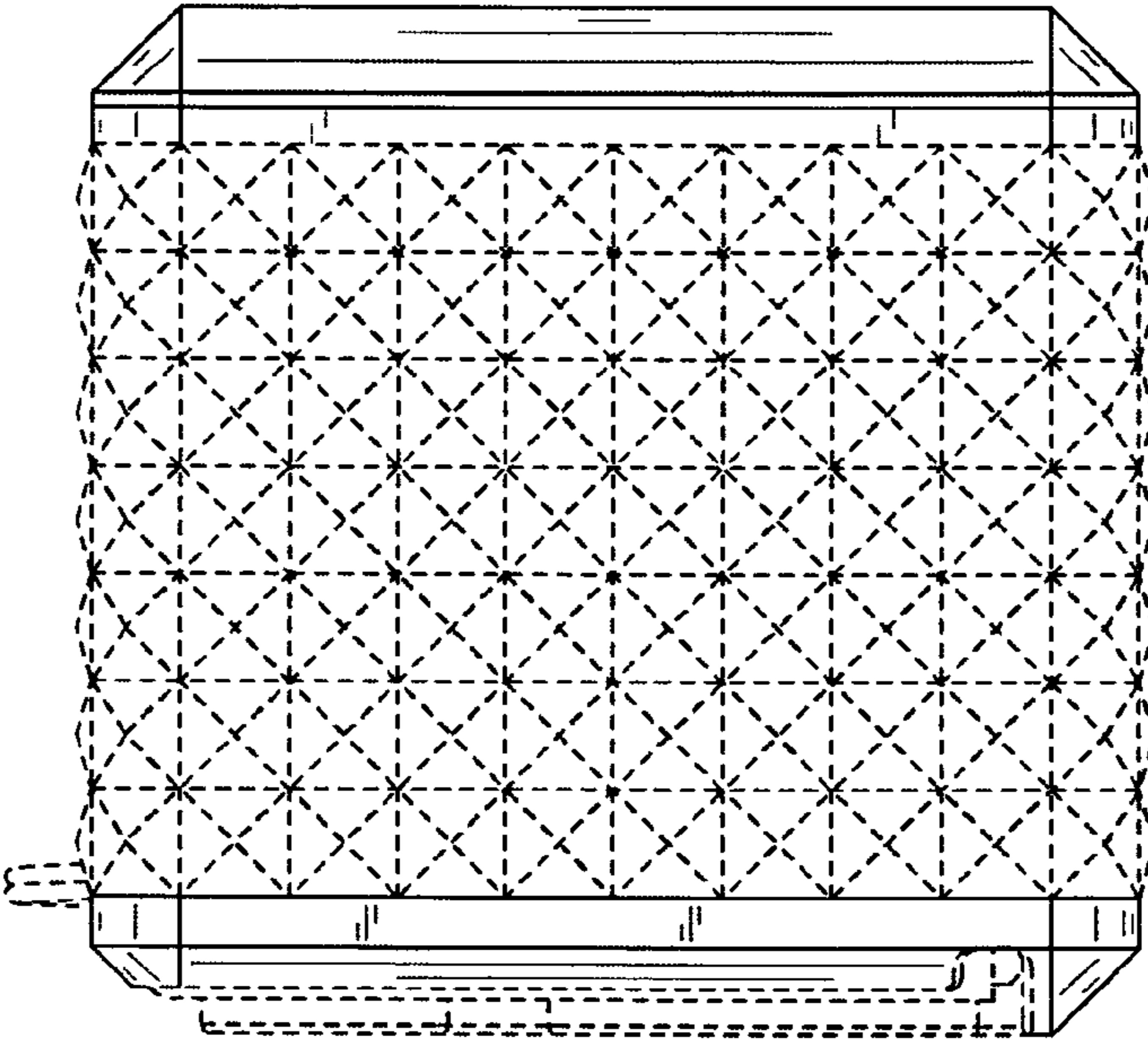


FIG. 3

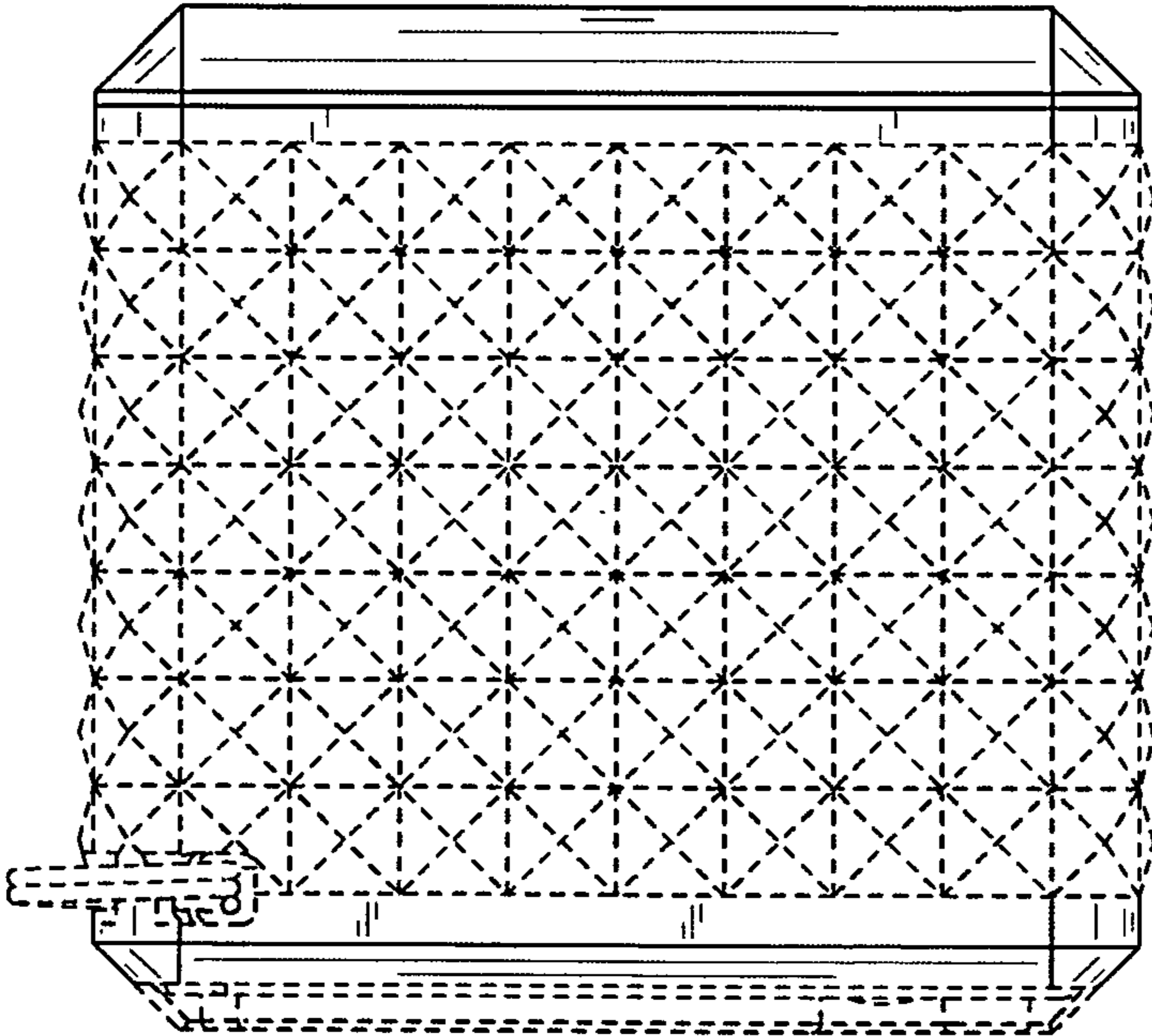


FIG. 4

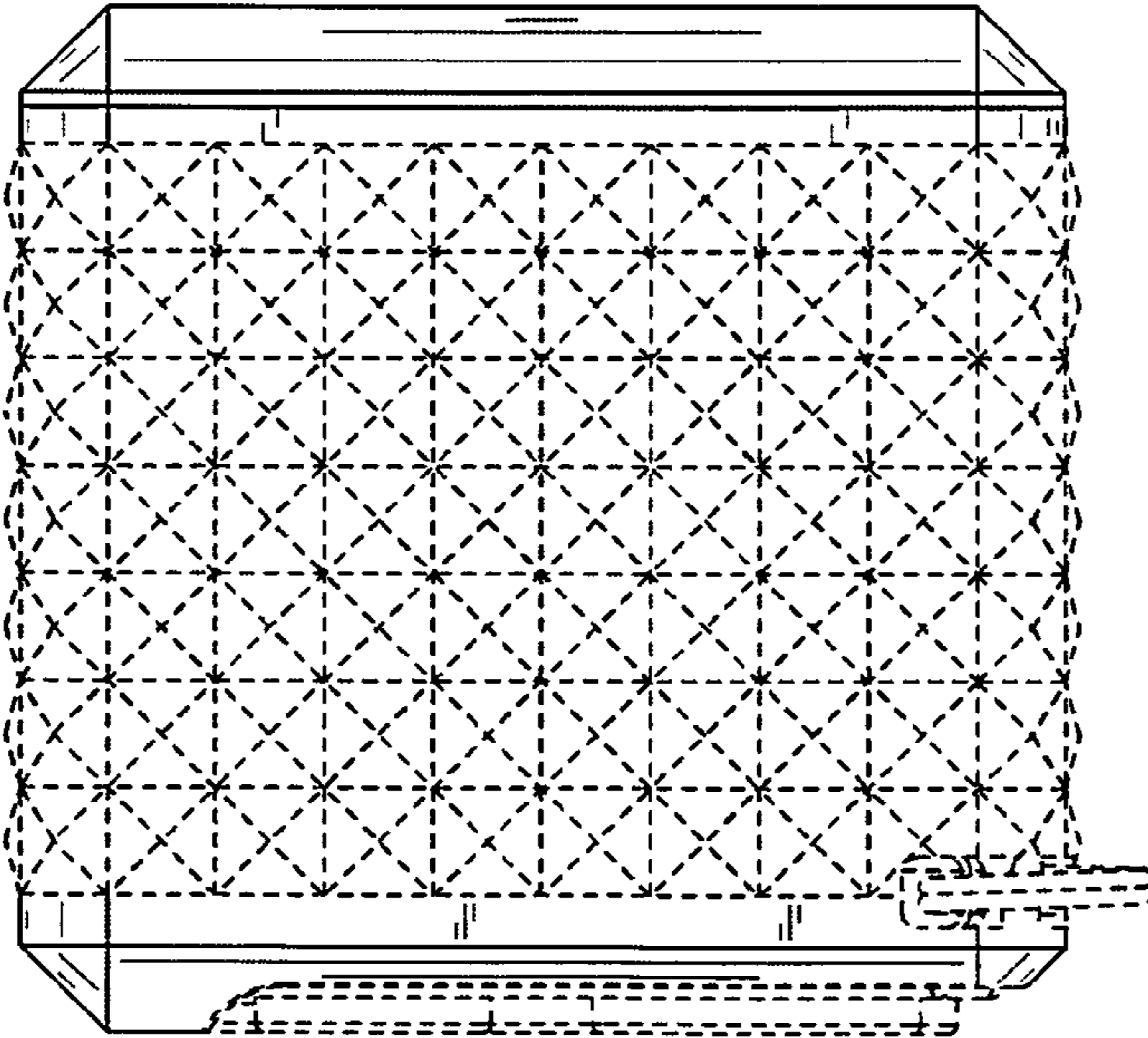


FIG. 5

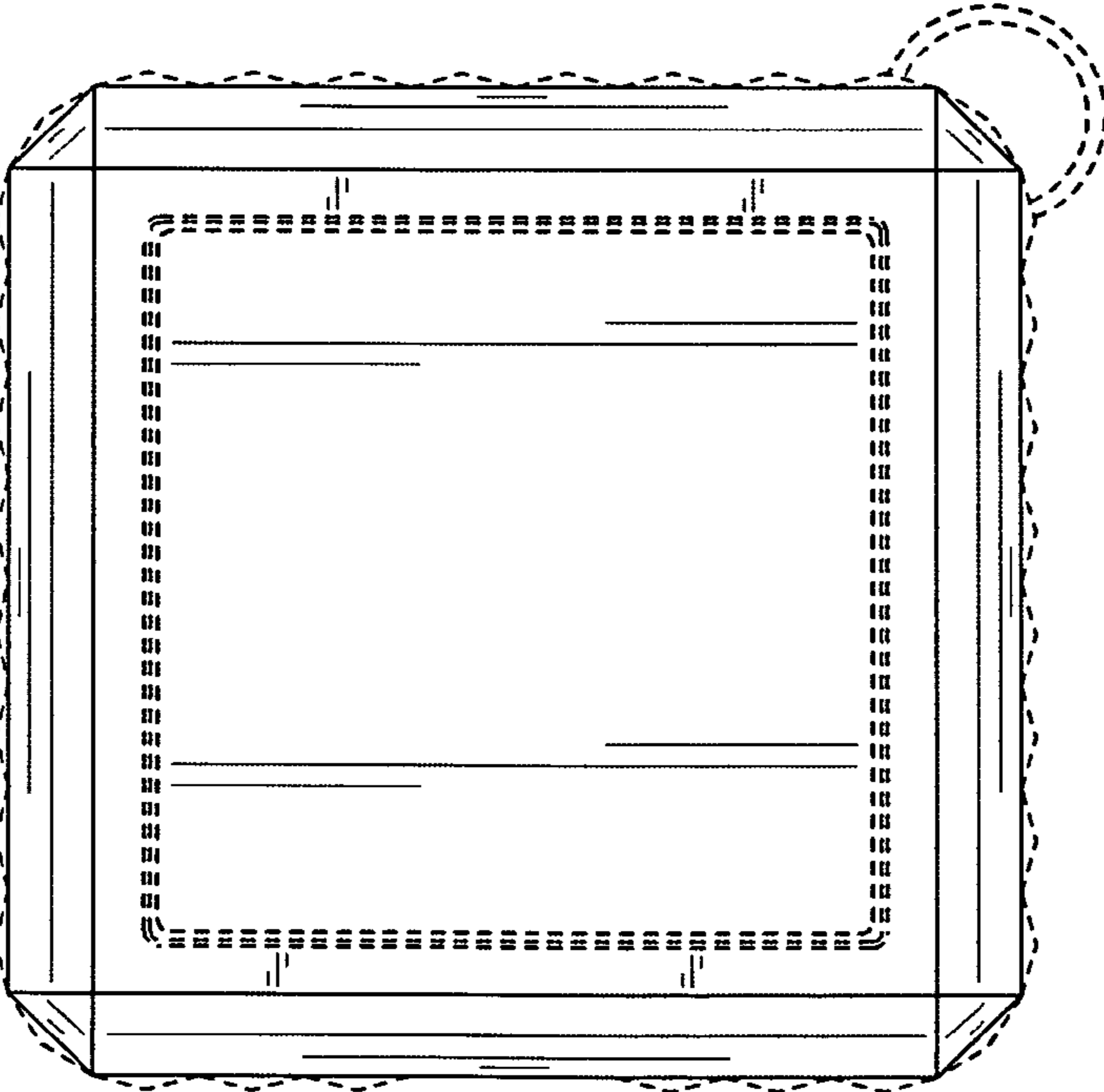


FIG. 6

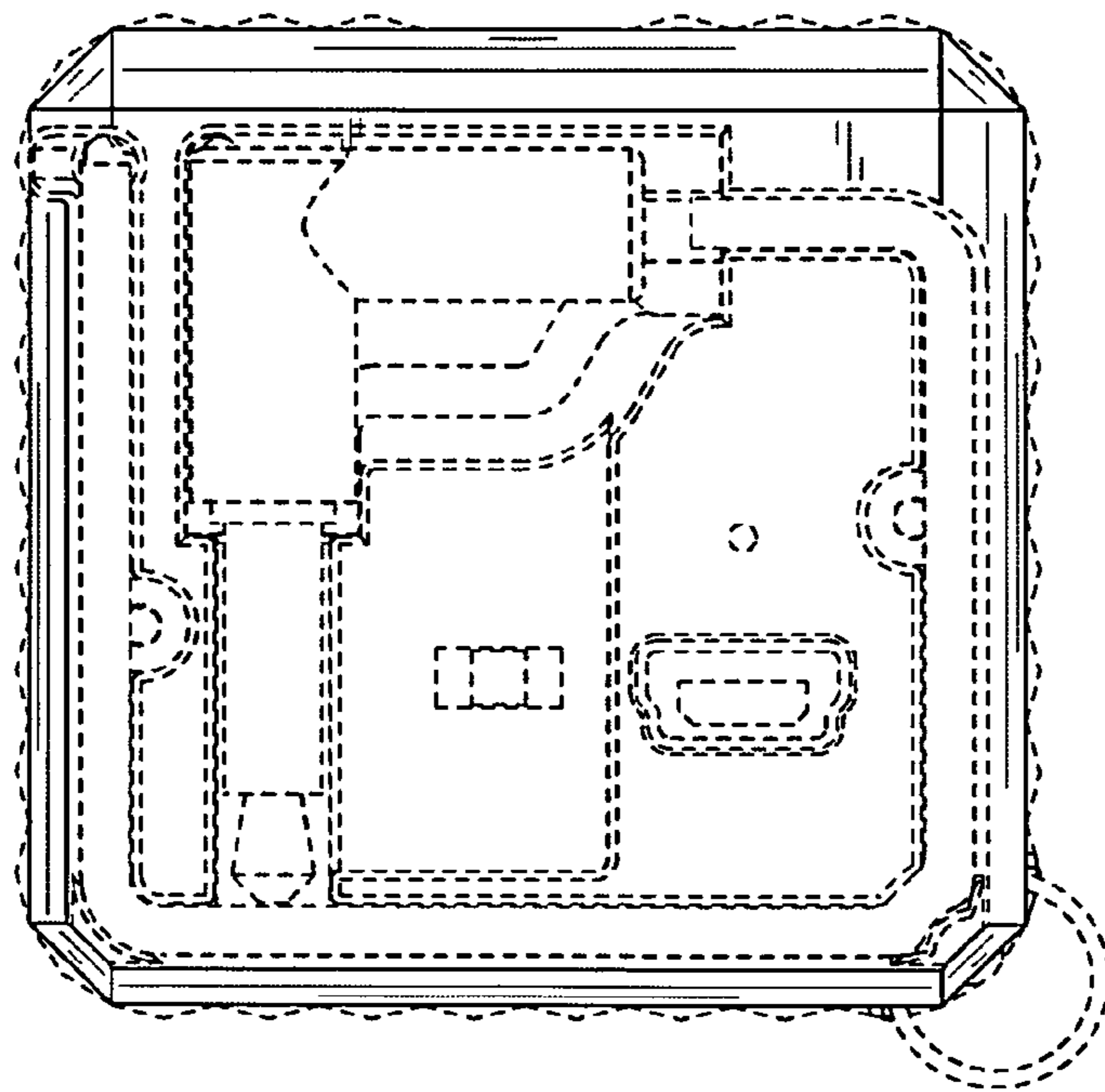


FIG. 7