



US00D695706S

(12) **United States Design Patent**
Garneau et al.

(10) **Patent No.:** **US D695,706 S**
(45) **Date of Patent:** **** Dec. 17, 2013**

(54) **JUKEBOX AND STAND**

(56) **References Cited**

- (71) Applicant: **TouchTunes Music Corporation**, New York, NY (US)
- (72) Inventors: **Charles Garneau**, Bois-des-Filion (CA); **Benoit Tessier**, Boisbriand (CA); **Ed Rivera**, New York, NY (US); **Michael Tooker**, Montreal (CA); **Jinseok Hwang**, Palisades Park, NJ (US); **Jonas Damon**, New York, NY (US)
- (73) Assignee: **TouchTunes Music Corporation**, New York, NY (US)
- (**) Term: **14 Years**
- (21) Appl. No.: **29/446,826**
- (22) Filed: **Feb. 27, 2013**

U.S. PATENT DOCUMENTS

D146,176 S	1/1947	Fuller
D152,903 S	3/1949	Principe
D240,266 S	6/1976	O'Neil et al.
4,336,935 A	6/1982	Goldfarb
D280,747 S	9/1985	Stasney
D316,858 S	5/1991	Gobindram
D324,240 S	2/1992	Huang
D328,202 S	7/1992	Tippit
D340,407 S	10/1993	Rahe et al.
5,331,614 A	7/1994	Ogawa et al.
D355,676 S	2/1995	Wilson
D356,079 S	3/1995	Oba
5,630,357 A	5/1997	Akiyama
5,651,681 A	7/1997	Chan
D390,843 S	2/1998	Rosen

(Continued)

OTHER PUBLICATIONS

Design U.S. Appl. No. 29/433,240, filed Sep. 27, 2012, Garneau et al.

Primary Examiner — Prabhakar Deshmukh
(74) *Attorney, Agent, or Firm* — Nixon & Vanderhye PC

(57) **CLAIM**
The ornamental design for a jukebox and stand, as shown and described.

DESCRIPTION

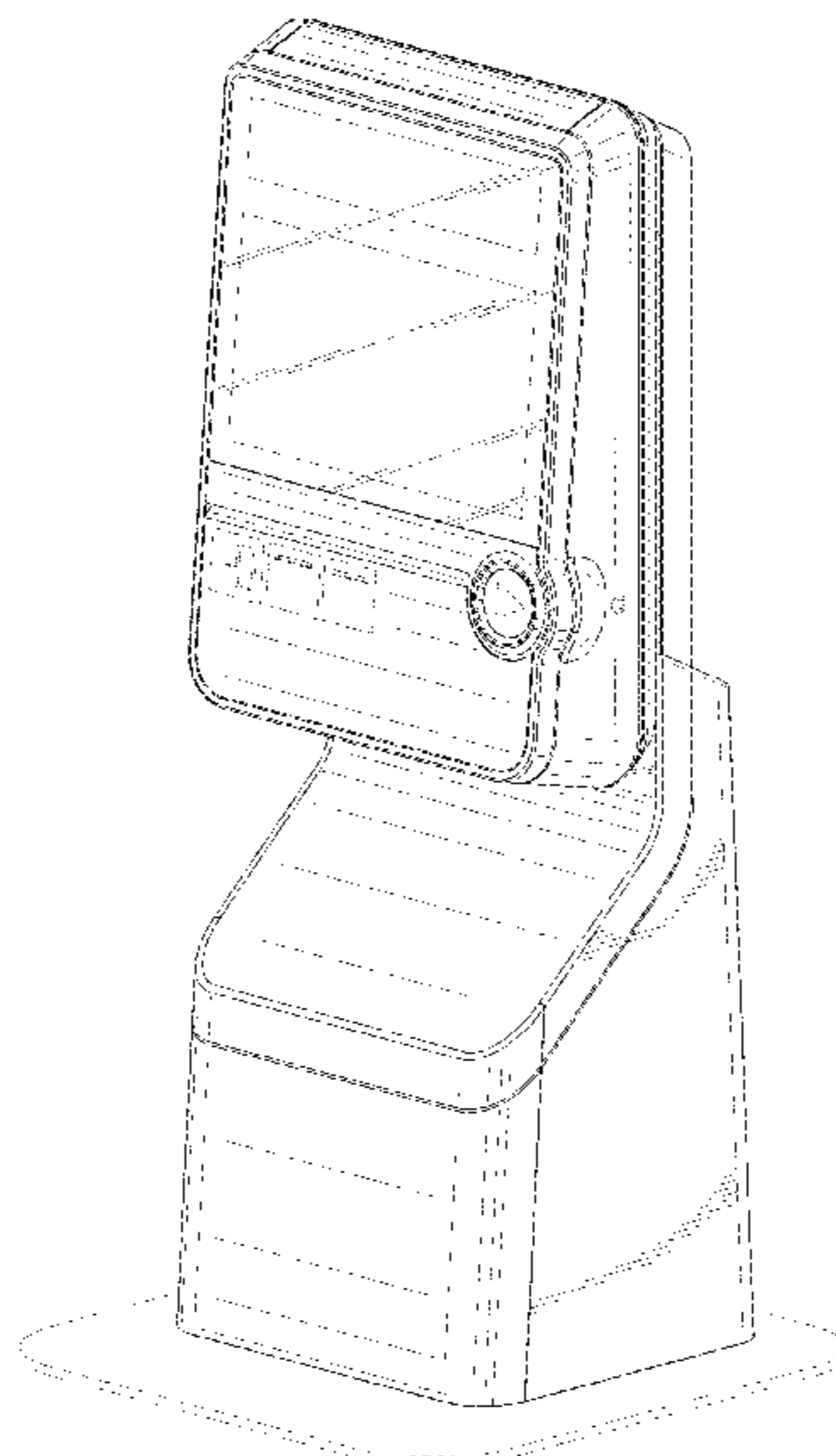
FIG. 1 is a front perspective view of a jukebox and stand showing our new design;
FIG. 2 is a front elevation view thereof;
FIG. 3 is a rear elevation view thereof;
FIG. 4 is a top plan view thereof;
FIG. 5 is a bottom plan view thereof;
FIG. 6 is a right side view thereof;
FIG. 7 is a left side view thereof; and,
FIG. 8 is a rear perspective view thereof.
The broken lines represent environmental structure and form no part of the claimed design.

Related U.S. Application Data

- (60) Continuation of application No. 29/433,240, filed on Sep. 27, 2012, now abandoned, which is a division of application No. 29/401,854, filed on Sep. 16, 2011, now Pat. No. Des. 670,675.
- (51) **LOC (9) Cl.** **14-01**
- (52) **U.S. Cl.**
USPC **D14/172; D21/325**
- (58) **Field of Classification Search**
USPC D14/172, 173, 203.1–203.7, 496, 188, D14/265; D21/324, 325, 369; 273/148 B; 463/1, 28–35, 46, 47; 369/1, 6–12, 369/24.01, 30.06, 30.07, 30.08, 30.23; 710/1; 711/100, 111

See application file for complete search history.

1 Claim, 7 Drawing Sheets



(56)

References Cited

U.S. PATENT DOCUMENTS

5,771,778 A 6/1998 MacLean, IV
 D397,335 S 8/1998 Matsushita
 D405,781 S 2/1999 Renk
 D405,791 S 2/1999 Menke et al.
 D419,606 S 1/2000 Toriyama
 6,048,271 A 4/2000 Barcelou
 D426,527 S 6/2000 Sakaguchi
 6,079,985 A 6/2000 Wohl et al.
 D428,062 S 7/2000 Hayashi
 6,086,380 A 7/2000 Chu et al.
 D439,931 S 4/2001 Yamaguchi
 D442,152 S 5/2001 Roustaei
 D449,346 S 10/2001 Gatto et al.
 D451,968 S * 12/2001 Sano D21/325
 6,346,951 B1 2/2002 Mastronardi
 6,430,117 B2 8/2002 Zimmer
 D475,029 S 5/2003 Nathan

6,708,812 B2 3/2004 Greim
 6,714,489 B2 3/2004 Kalis et al.
 D494,188 S 8/2004 Huang
 6,779,904 B1 8/2004 Van Dyk
 D498,558 S 11/2004 Kwok
 6,976,623 B1 12/2005 Mambakkam et al.
 7,152,739 B1 12/2006 Burleson
 D590,449 S 4/2009 Ishii et al.
 D616,414 S 5/2010 Nathan et al.
 D617,388 S * 6/2010 Wildner et al. D21/325
 D617,389 S 6/2010 Wildner et al.
 D618,285 S * 6/2010 Ichimura et al. D21/325
 D619,659 S 7/2010 Damani
 D629,382 S 12/2010 Nathan et al.
 D642,553 S 8/2011 Nathan et al.
 D654,470 S 2/2012 Nathan et al.
 D662,487 S * 6/2012 Nathan et al. D14/173
 D665,375 S 8/2012 Garneau et al.
 D670,675 S 11/2012 Garneau et al.

* cited by examiner

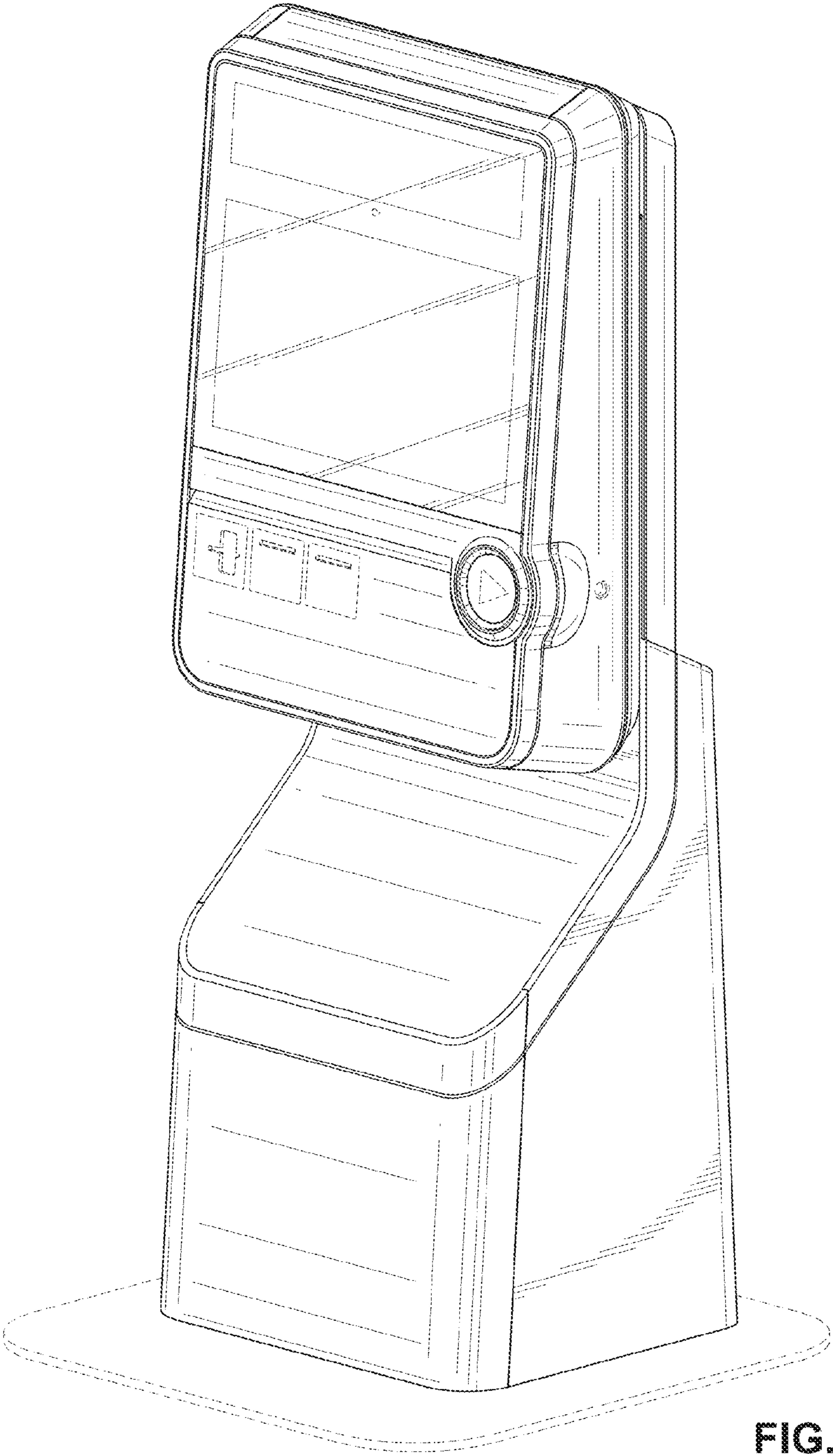


FIG. 1

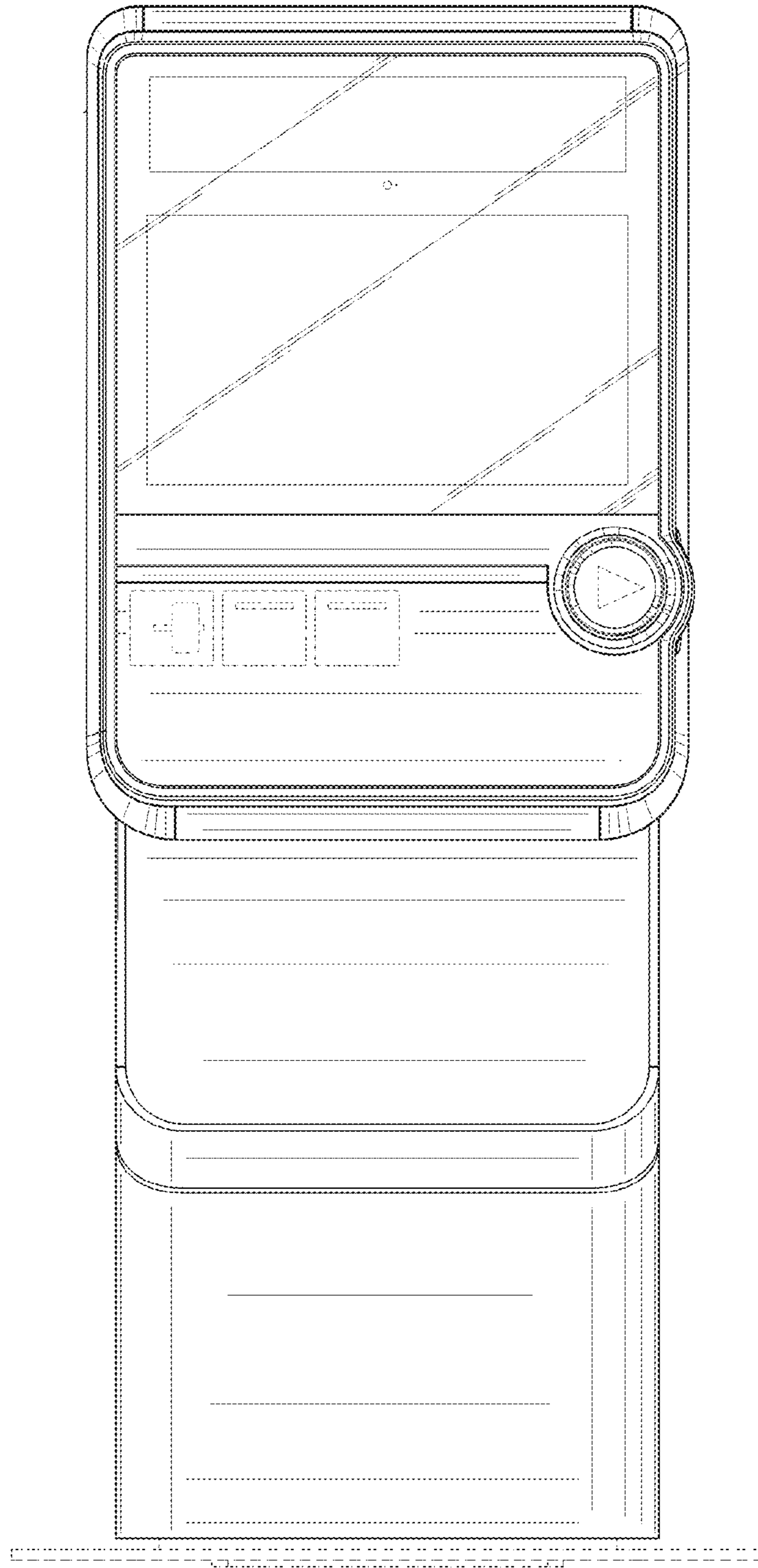


FIG. 2

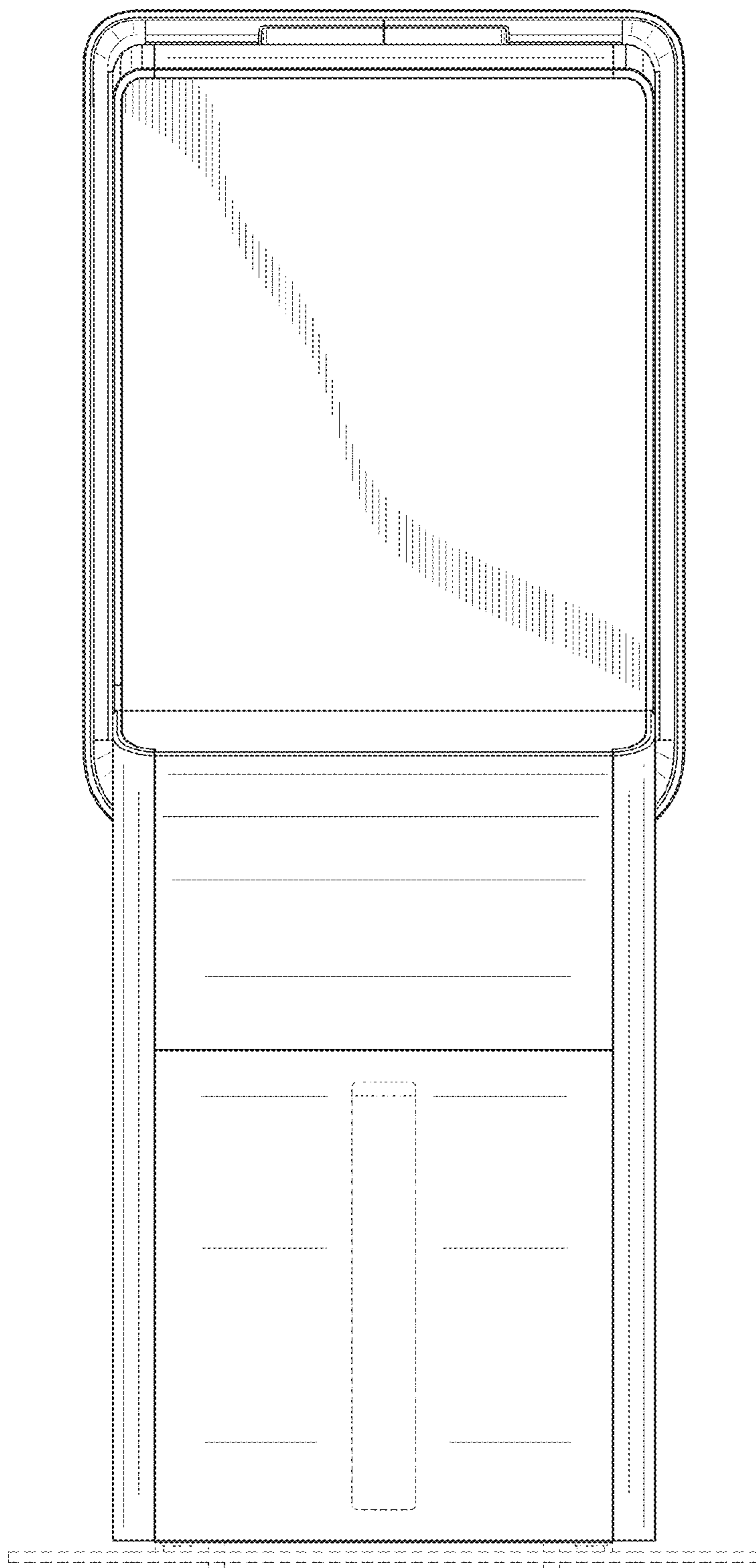


FIG. 3

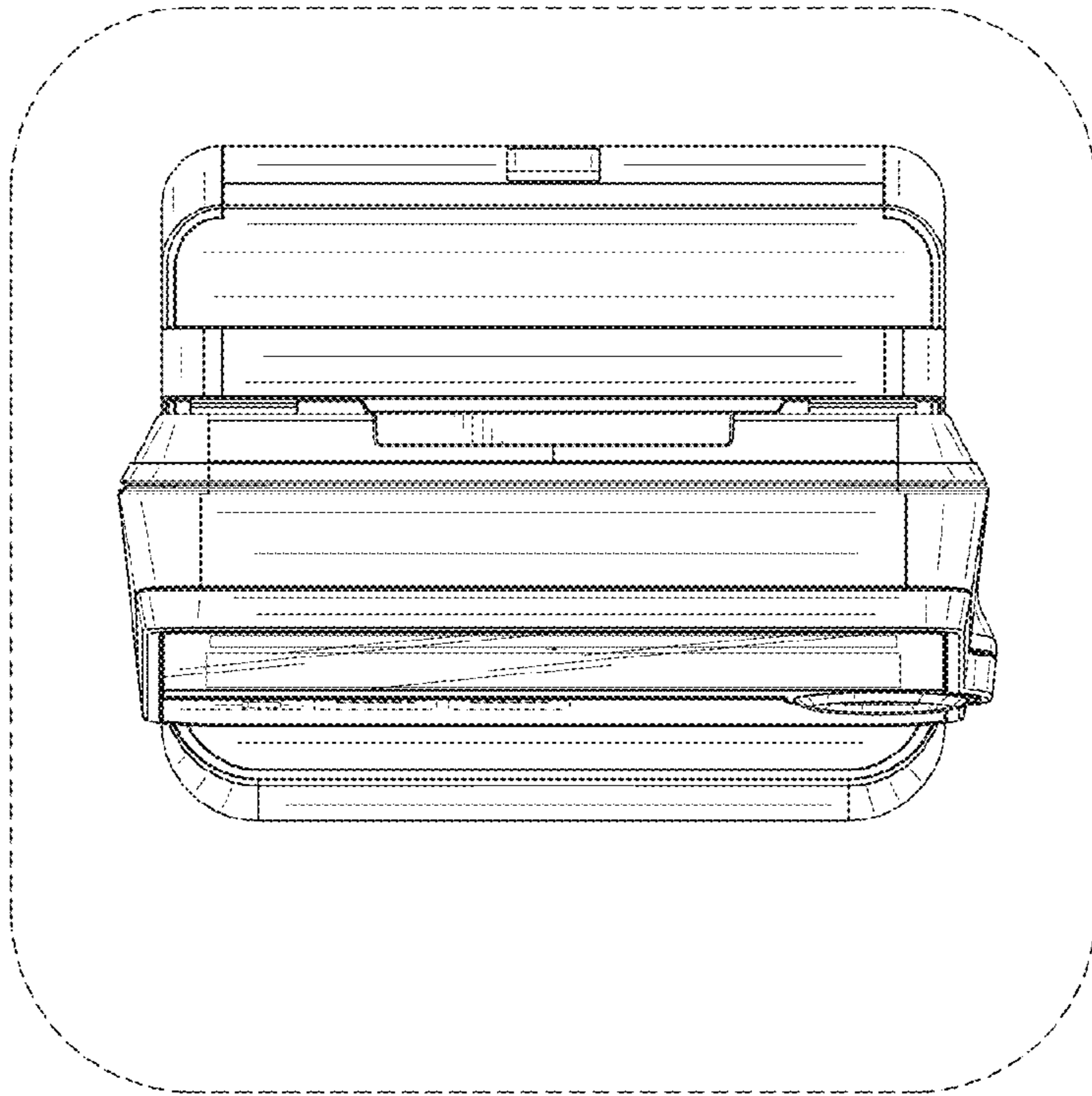


FIG. 4

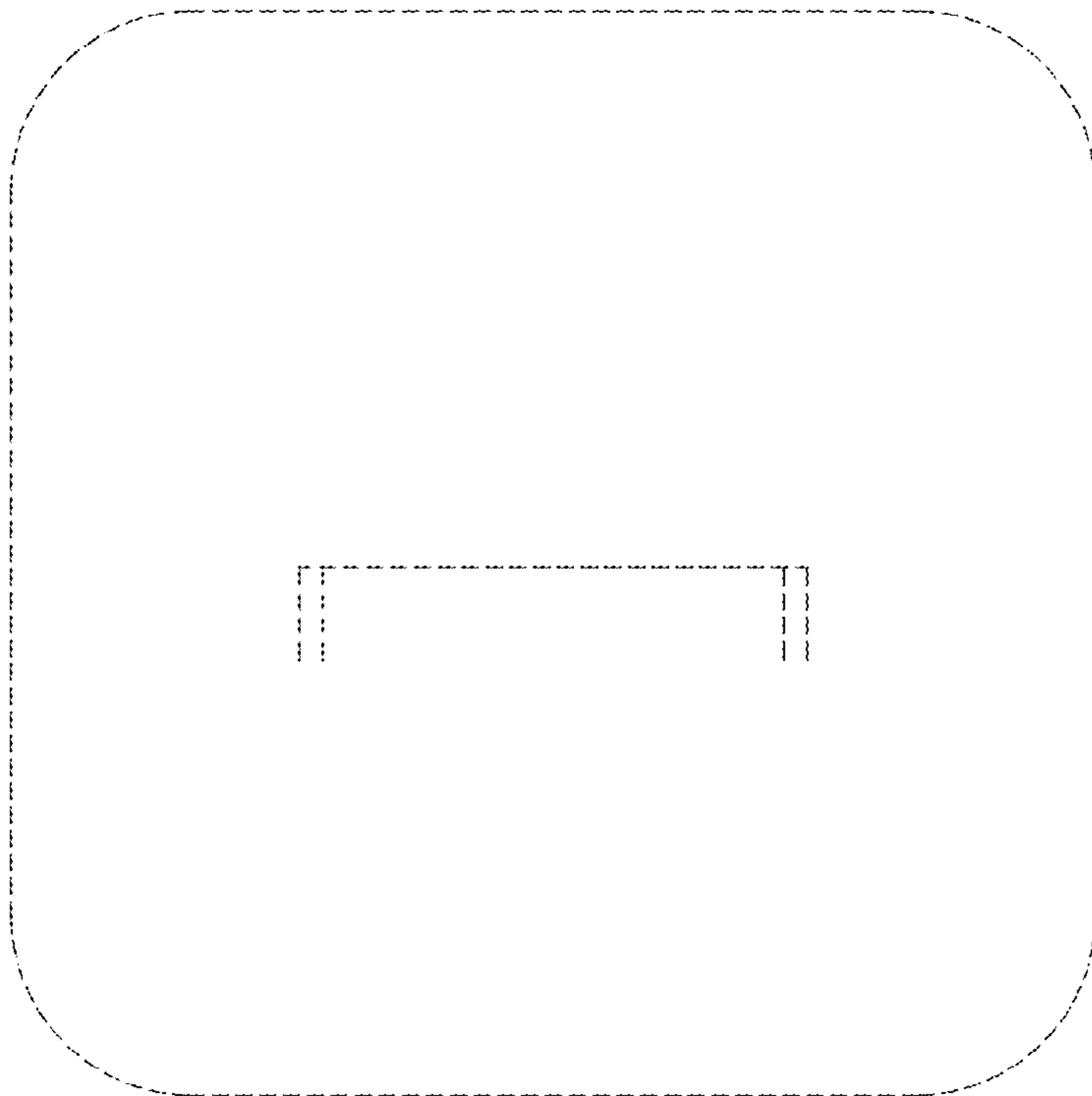


FIG. 5

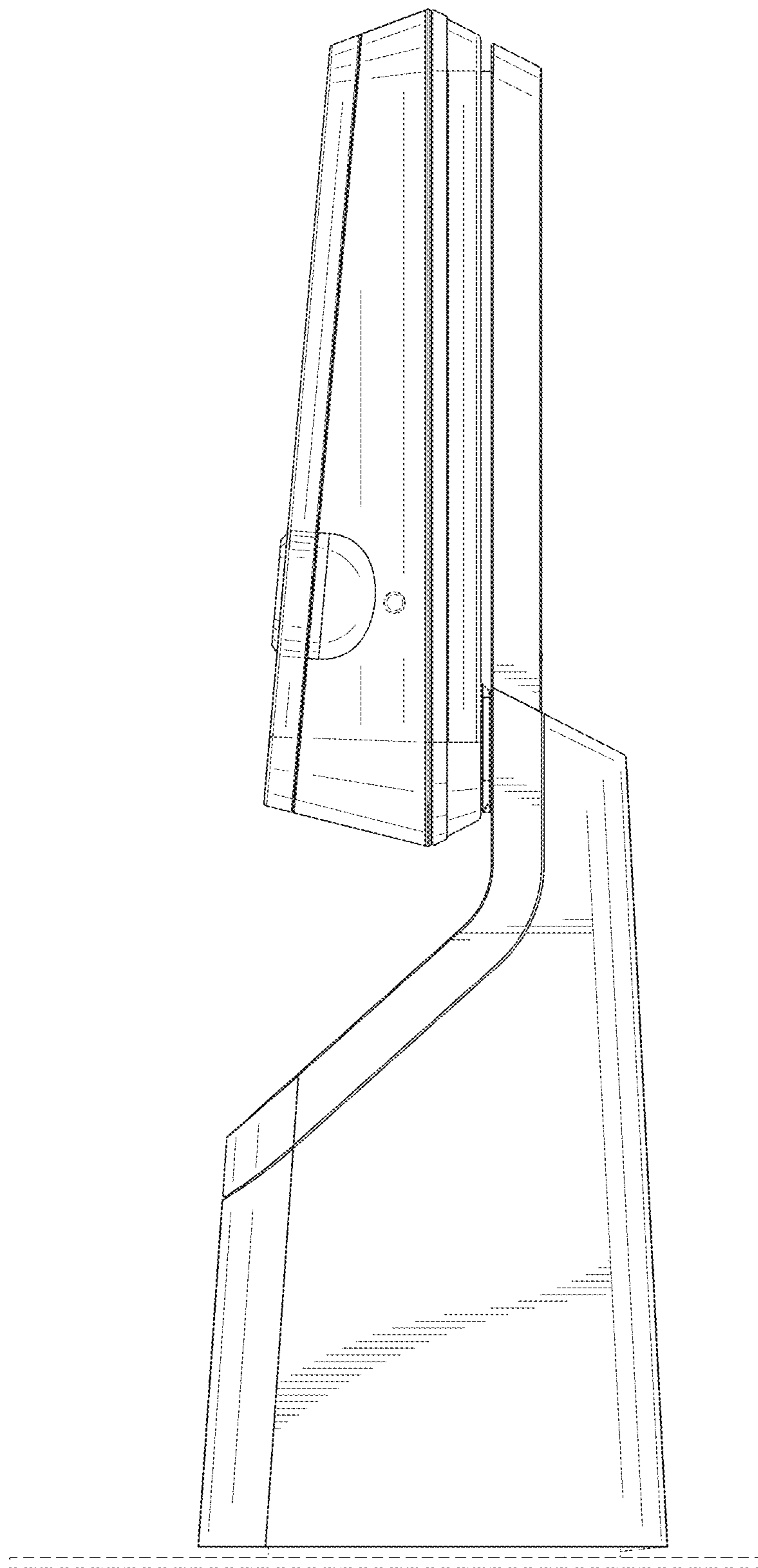


FIG. 6

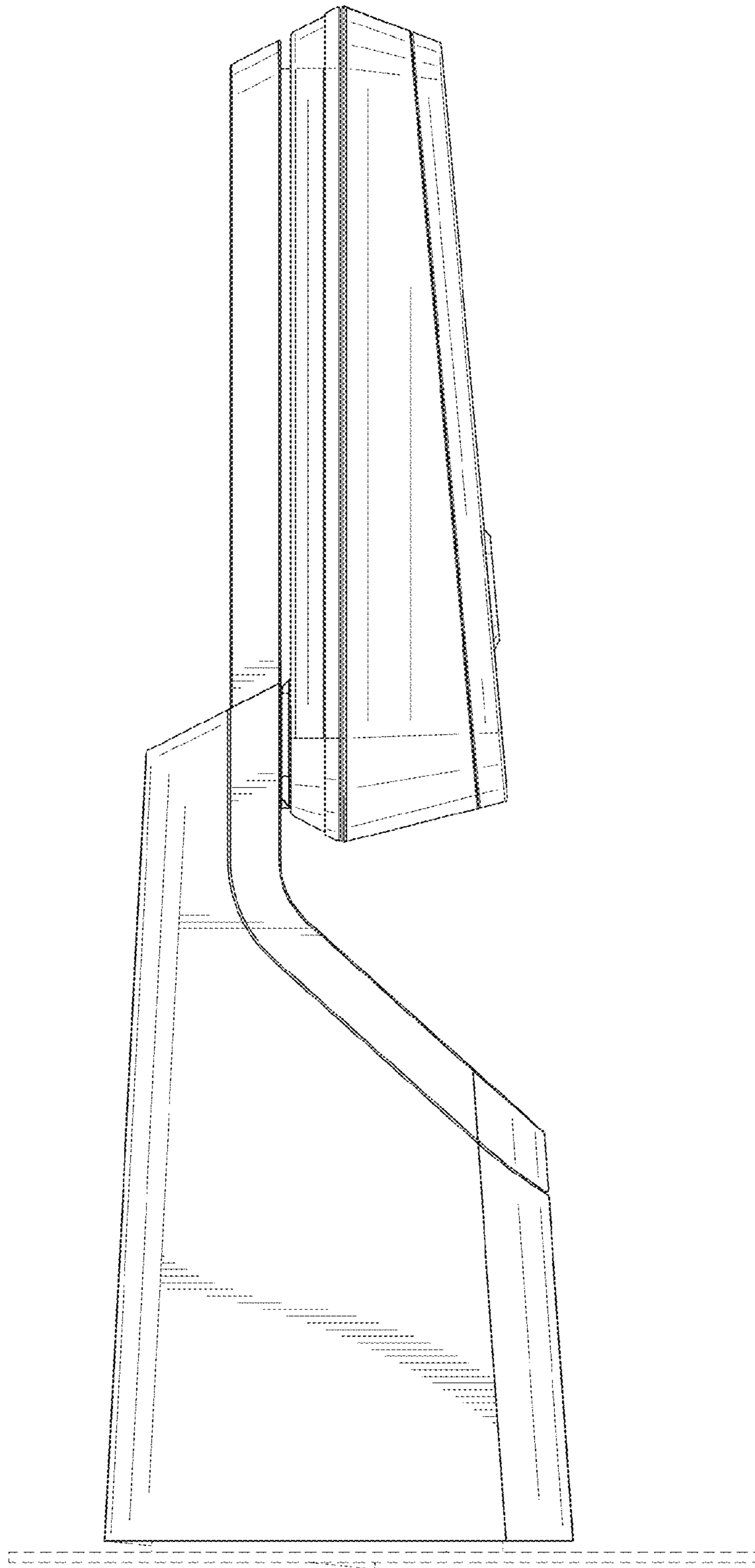


FIG. 7

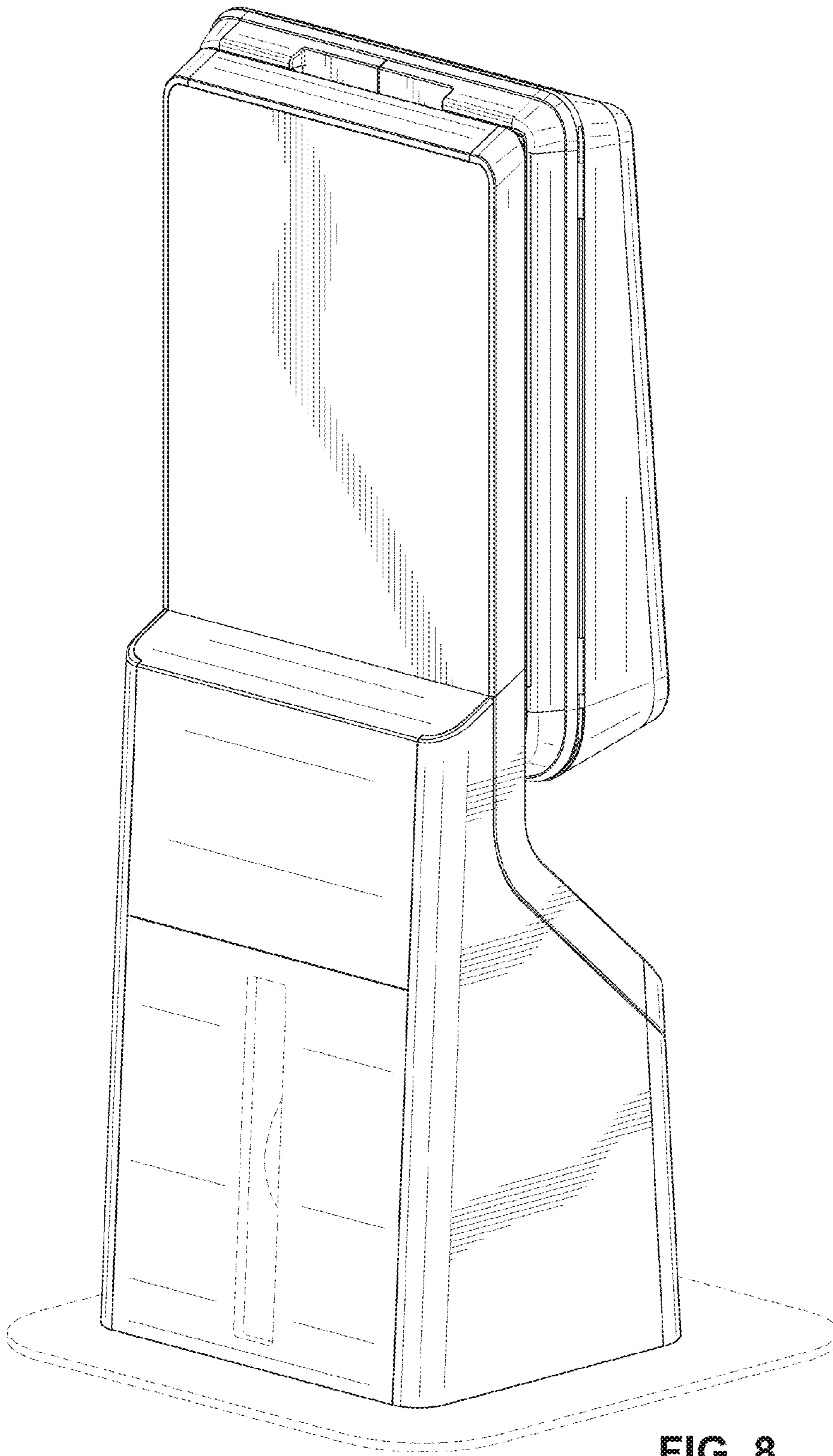


FIG. 8