

US00D695705S

(12) **United States Design Patent**
Shimizu et al.

(10) **Patent No.:** **US D695,705 S**
(45) **Date of Patent:** **** Dec. 17, 2013**

(54) **AUDIO PLAYER**

(75) Inventors: **Yosuke Shimizu**, Surrey (GB); **Aleix Ingles Elias**, Surrey (GB)

(73) Assignee: **Sony Corporation**, Tokyo (JP)

(**) Term: **14 Years**

(21) Appl. No.: **29/421,201**

(22) Filed: **Jun. 12, 2012**

(30) **Foreign Application Priority Data**

Dec. 13, 2011 (EM) 001961947-0005
Dec. 13, 2011 (EM) 001961947-0006

(51) **LOC (9) Cl.** **14-01**

(52) **U.S. Cl.**
USPC **D14/172; D14/209.1**

(58) **Field of Classification Search**
USPC D14/204, 204.1, 210–216, 172;
181/143, 144, 147, 148, 150–153, 157,
181/198, 199; 381/300–306, 332, 333, 336,
381/345, 361–364
See application file for complete search history.

(56) **References Cited**

U.S. PATENT DOCUMENTS

5,146,618 A * 9/1992 Wenner 455/345
D381,985 S 8/1997 Maeyama
D420,000 S 2/2000 Yoneda
D426,224 S 6/2000 Yoneda
D429,715 S 8/2000 Kobayashi
D477,299 S 7/2003 Kobayashi
D514,090 S * 1/2006 Carbone et al. D14/209.1
D524,287 S 7/2006 Hibi
D563,388 S * 3/2008 Aquillano D14/214
D576,148 S * 9/2008 Lee et al. D14/188
D577,002 S * 9/2008 Kurihara D14/170
7,689,197 B2 * 3/2010 Laude et al. 455/344

D627,793 S 11/2010 Otani
D635,583 S 4/2011 Otani
D639,271 S * 6/2011 Xiao D14/209.1
D683,718 S * 6/2013 Brunner et al. D14/209.1

FOREIGN PATENT DOCUMENTS

CN 301499206 S 3/2011
CN 301597695 S 6/2011
CN 301633353 S 8/2011
CN 301704348 S 10/2011
CN 301714739 S 11/2011
CN 301728184 S 11/2011

* cited by examiner

Primary Examiner — Prabhakar Deshmukh

(74) *Attorney, Agent, or Firm* — Rader, Fishman & Grauer PLLC

(57) **CLAIM**

The ornamental design for an audio player, as shown and described.

DESCRIPTION

FIG. 1 is a perspective view of a first embodiment of an audio player showing our new design;
FIG. 2 is a front elevational view thereof;
FIG. 3 is a left side elevational view thereof;
FIG. 4 is a right side elevational view thereof; and
FIG. 5 is a bottom plan view thereof.
FIG. 6 is a perspective view of a second embodiment of an audio player showing our new design;
FIG. 7 is a front elevational view thereof;
FIG. 8 is a left side elevational view thereof;
FIG. 9 is a right side elevational view thereof; and,
FIG. 10 is a bottom plan view thereof.
Portions shown as broken lines are for illustrative purposes only and form no part of the claimed design.

1 Claim, 8 Drawing Sheets

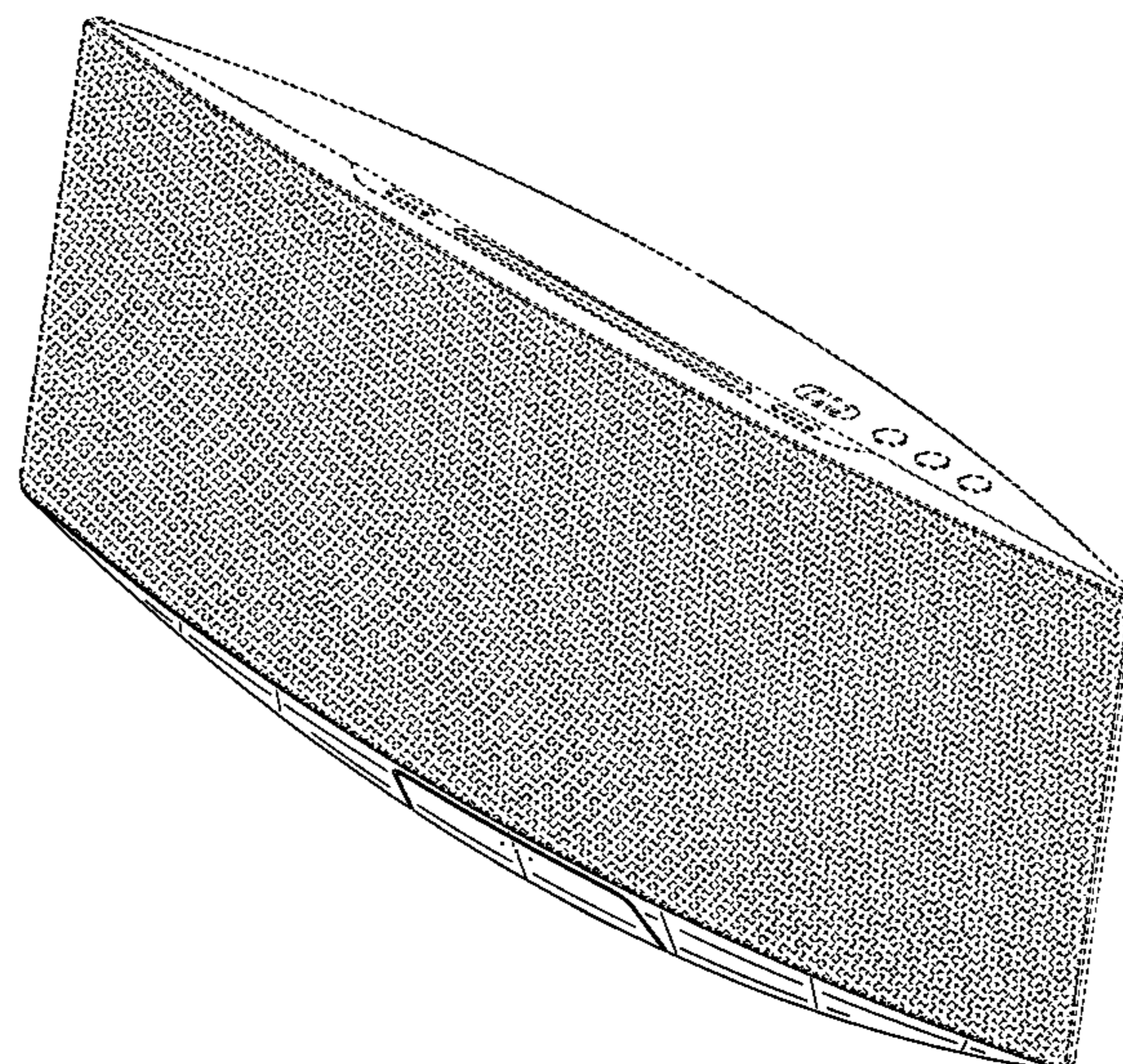


FIG. 1

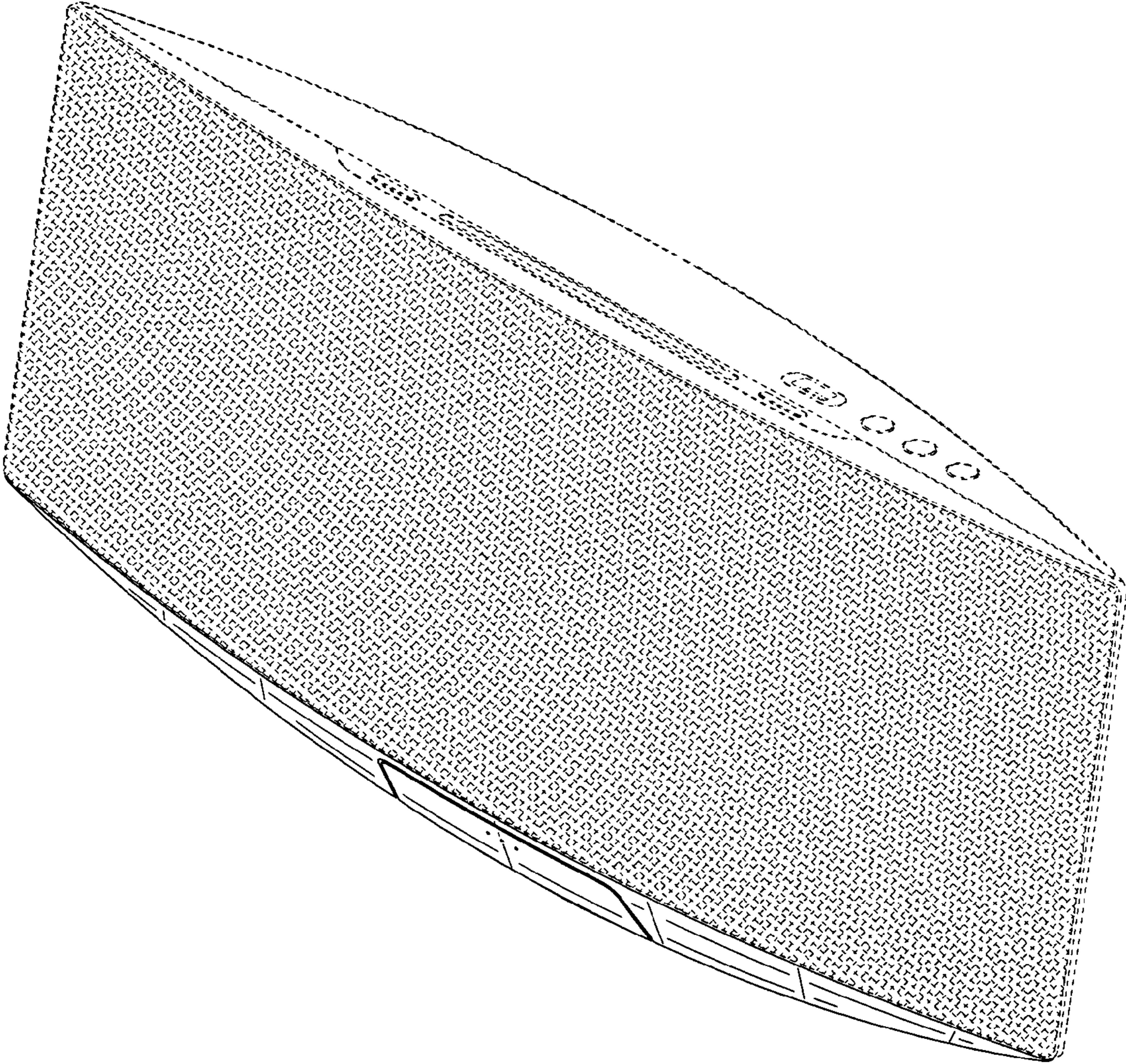


FIG.2

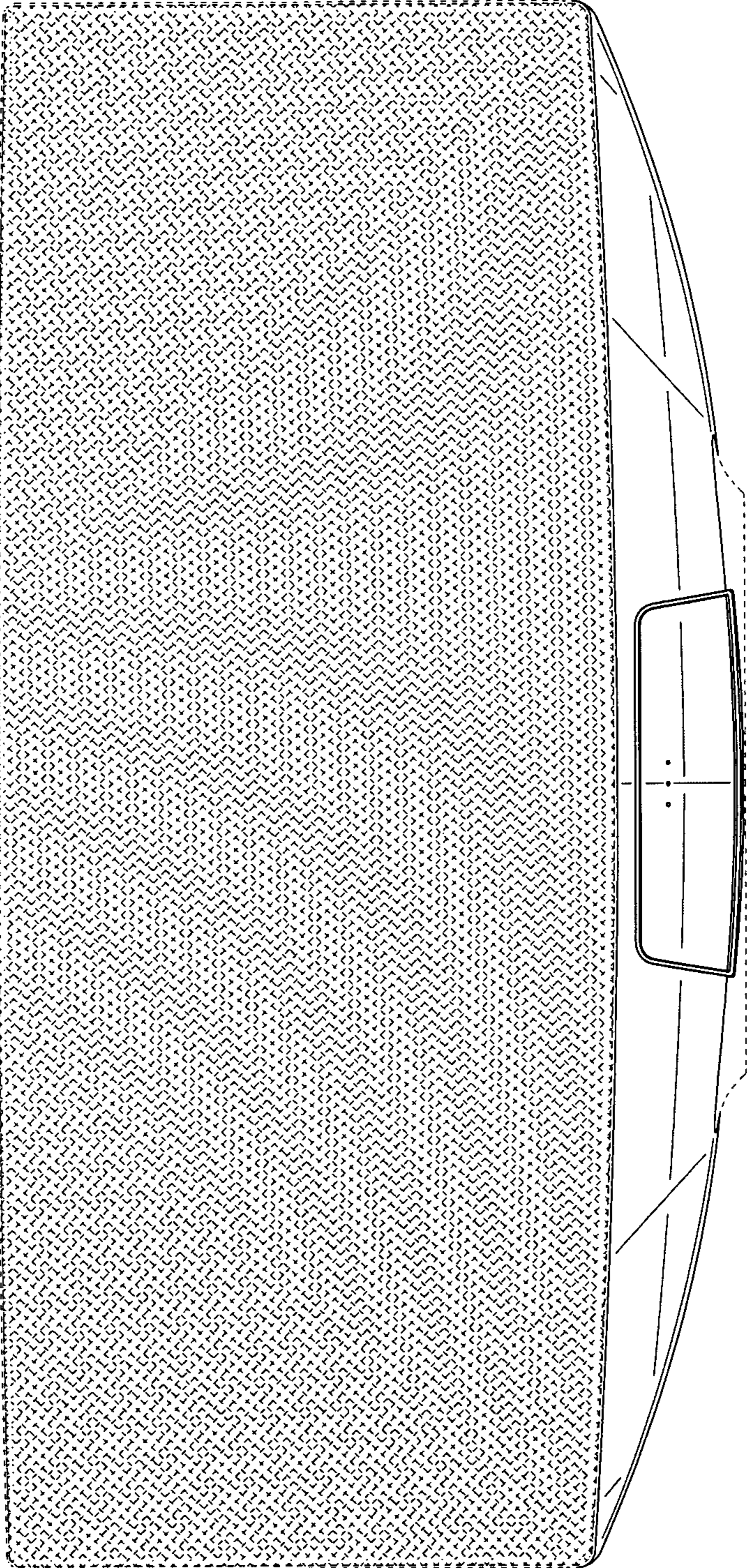


FIG.3

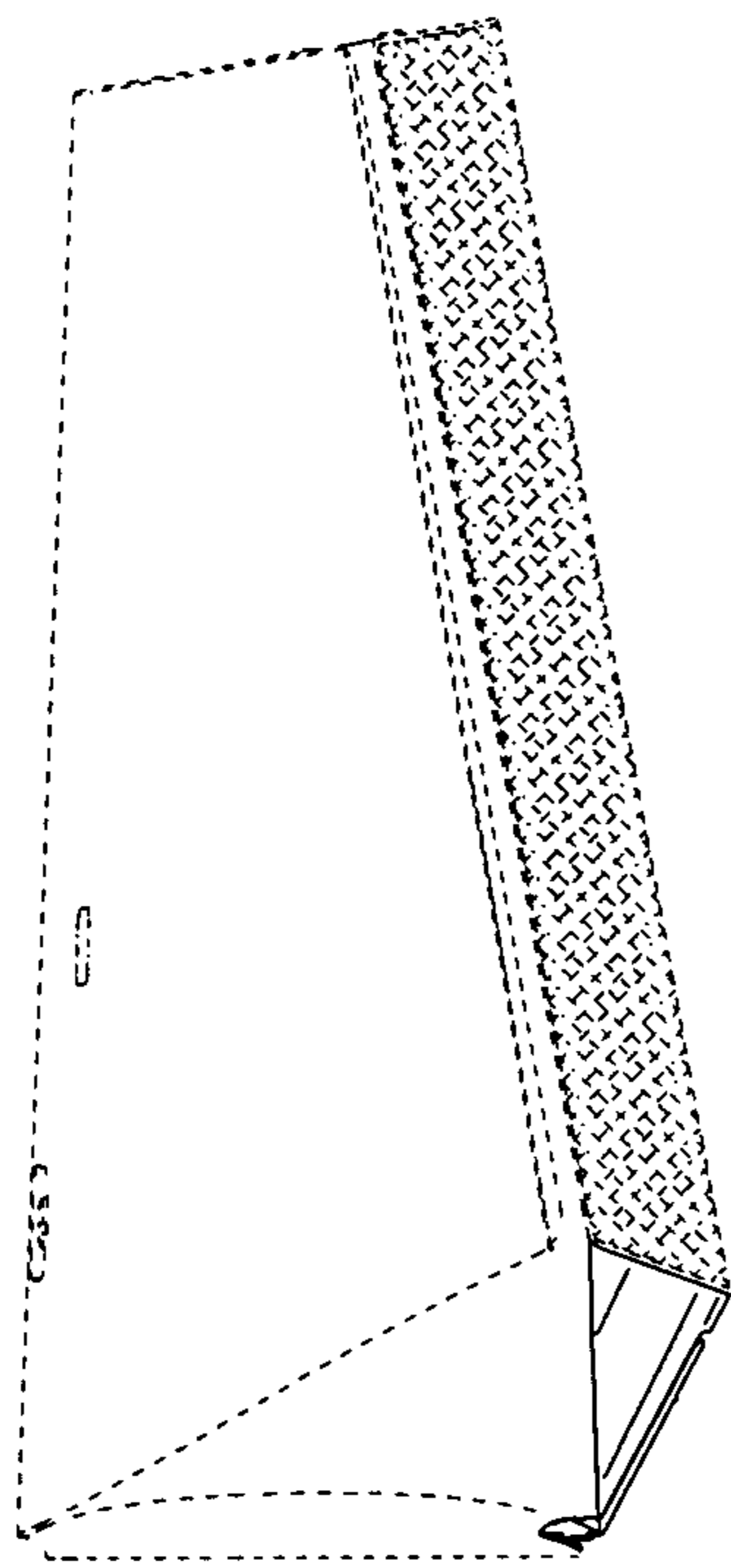


FIG.4

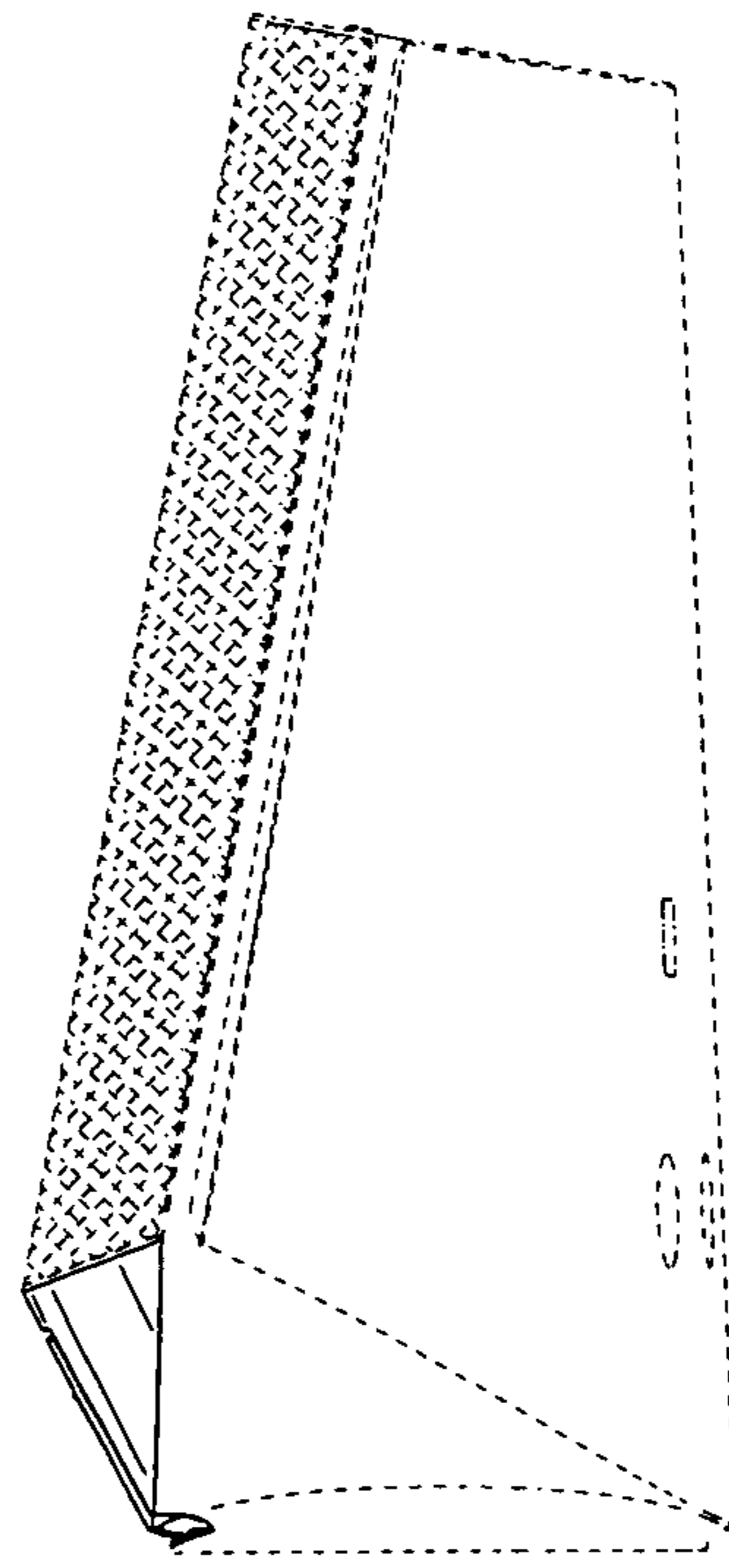


FIG.5

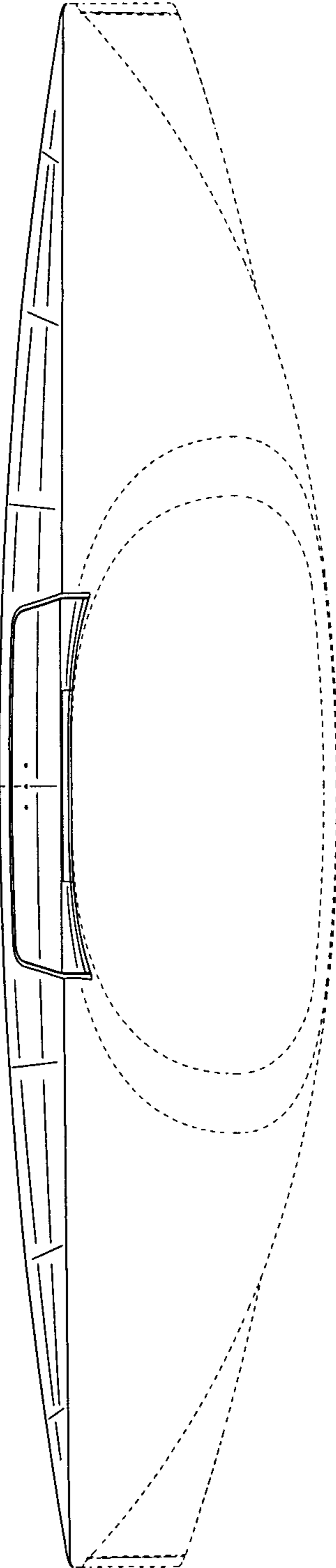


FIG.6

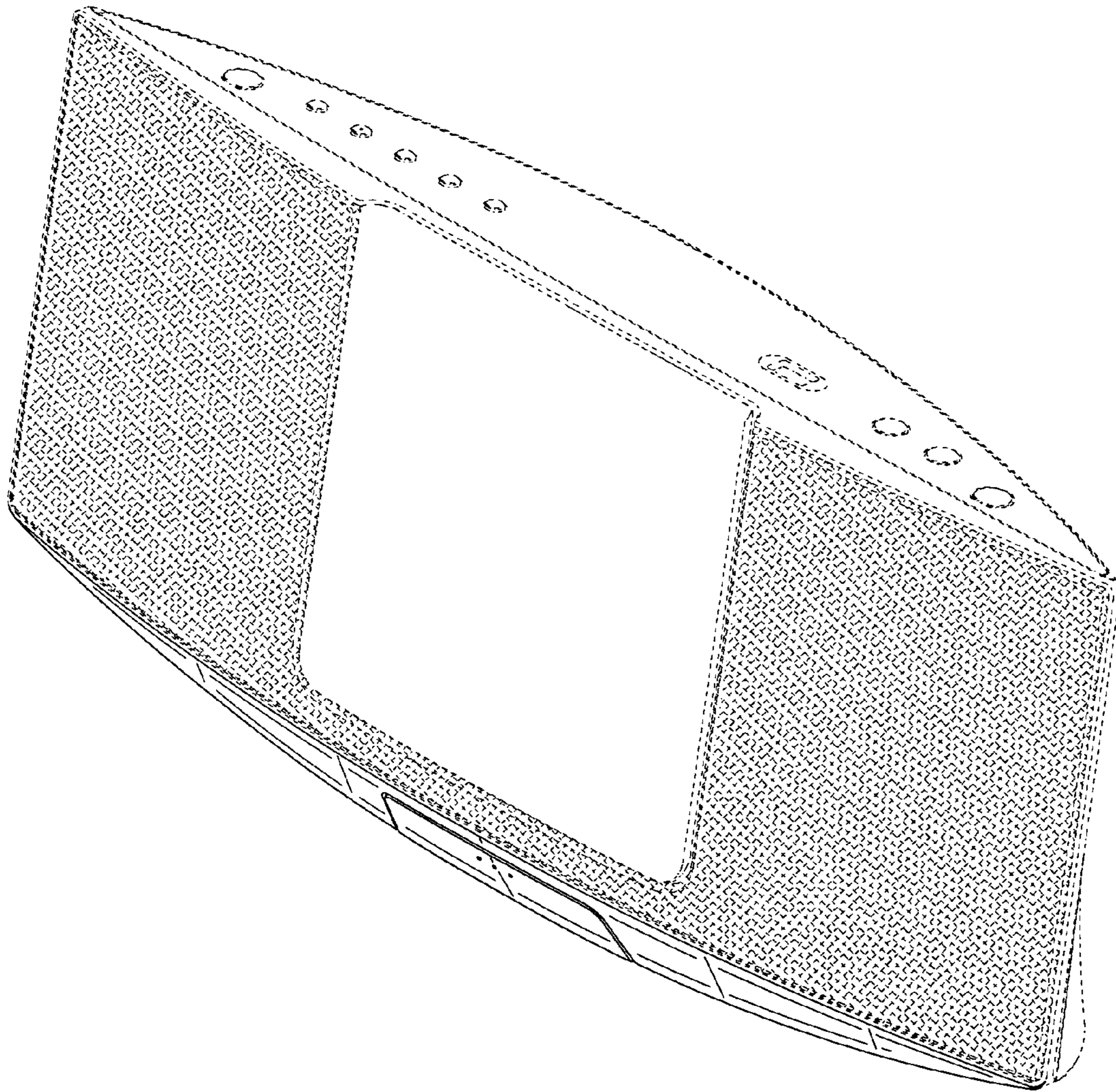


FIG.7

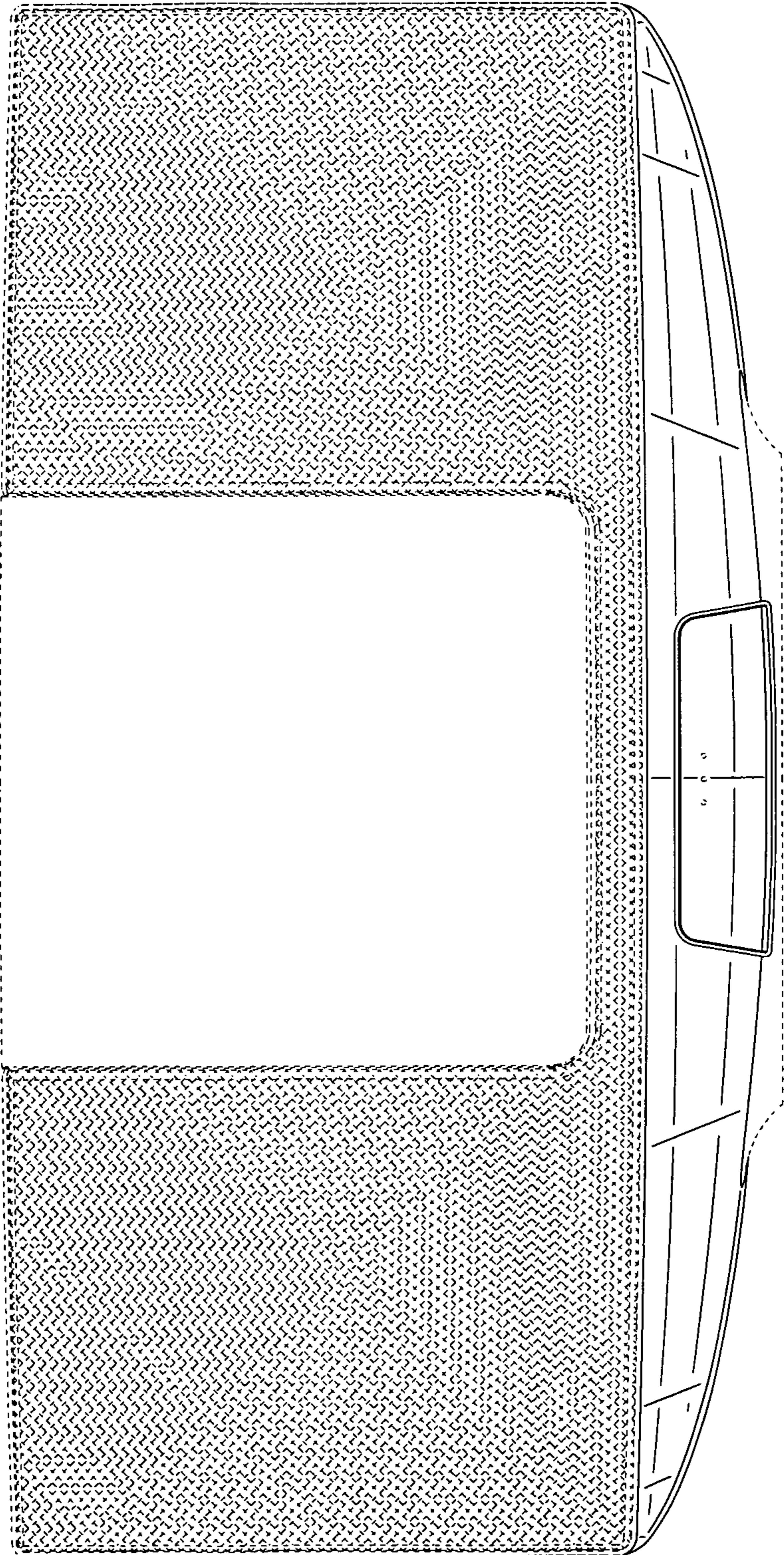


FIG.8

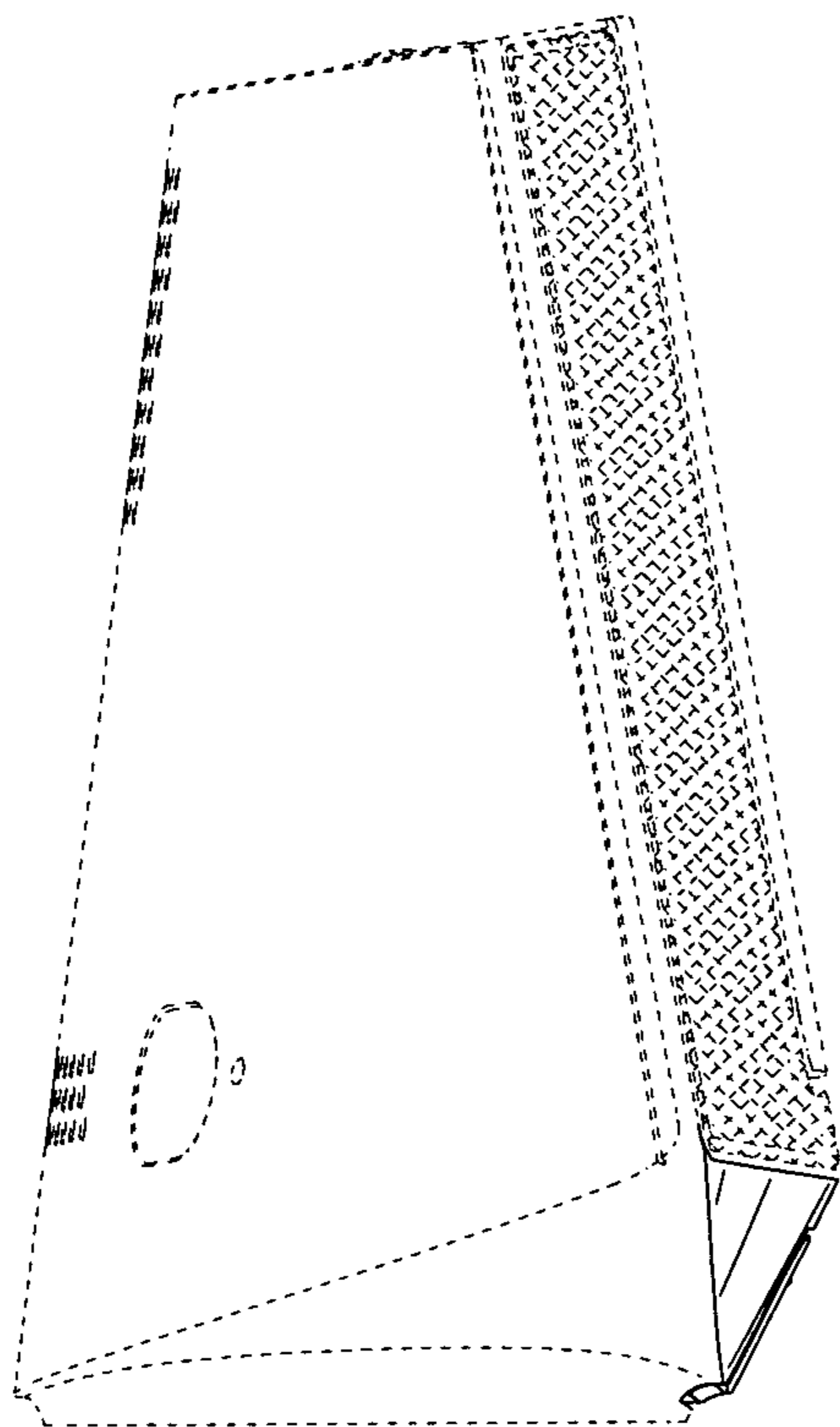


FIG.9

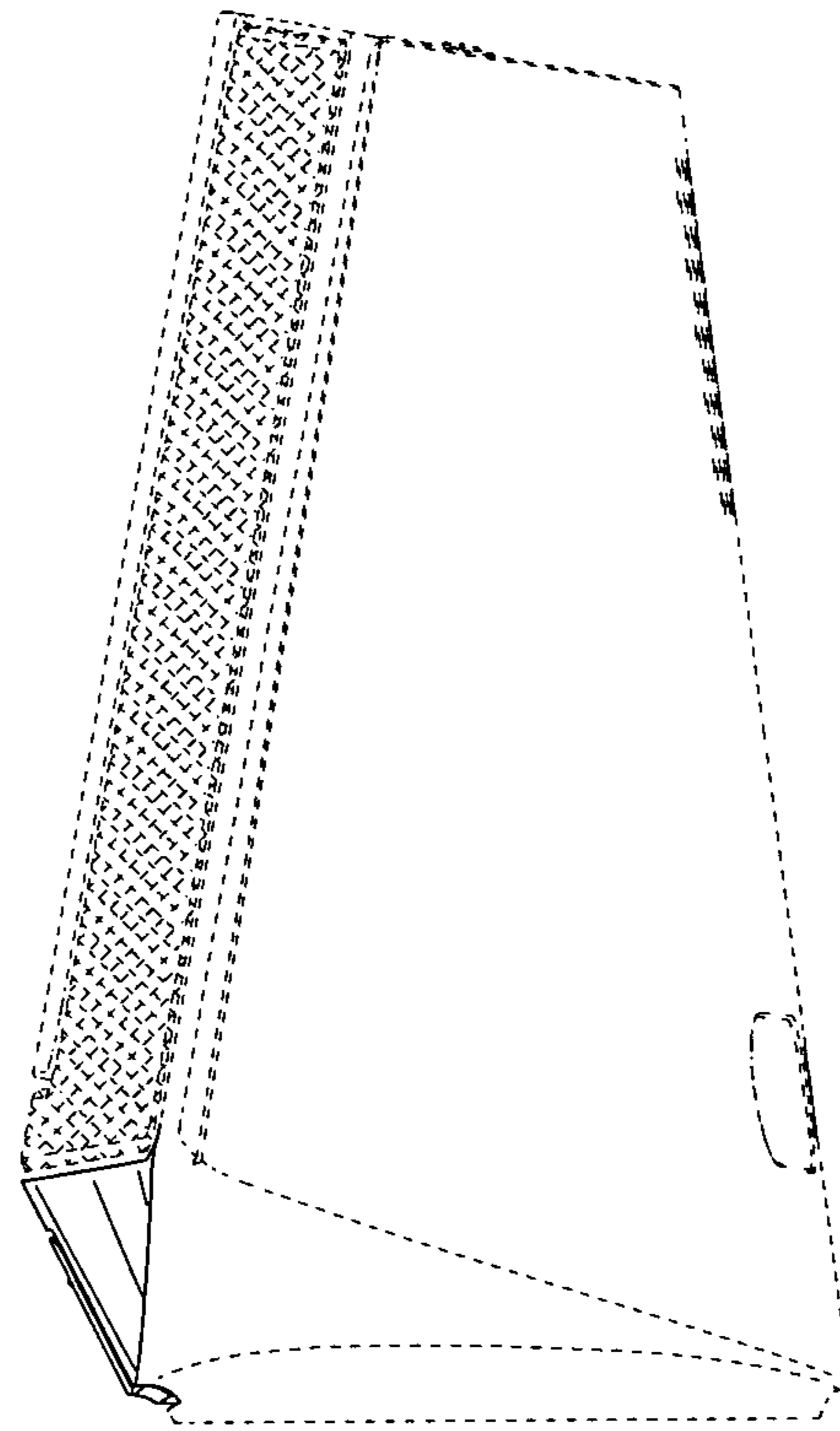


FIG.10

