



US00D695700S

(12) **United States Design Patent**
Seong

(10) **Patent No.:** **US D695,700 S**

(45) **Date of Patent:** **** Dec. 17, 2013**

(54) **TELEVISION RECEIVER**

(71) Applicant: **Samsung Electronics Co., Ltd.**,
Suwon-si (KR)

(72) Inventor: **Bo-Kyung Seong**, Seoul (KR)

(73) Assignee: **Samsung Electronics Co., Ltd.**,
Suwon-si (KR)

(**) Term: **14 Years**

(21) Appl. No.: **29/449,710**

(22) Filed: **Mar. 15, 2013**

(30) **Foreign Application Priority Data**

Oct. 23, 2012 (KR) 30-2012-0050299

(51) **LOC (9) Cl.** **14-03**

(52) **U.S. Cl.**
USPC **D14/126**

(58) **Field of Classification Search**
USPC D14/125-134, 239, 371, 136, 374-377,
D14/440, 450, 448, 336, 342, 159; 312/7.2;
348/836, 838, 180, 184, 325, 739;
341/12; 248/917-924, 465; 345/104,
345/133, 156, 168, 87, 173; 720/605, 669,
720/600, 655; 369/99, 197; D21/329, 515,
D21/577, 622, 333, 433, 448, 452, 450,
D21/331; D6/477, 479, 300; 273/148 B;
446/484, 175, 356; D10/15, 26

See application file for complete search history.

(56) **References Cited**

U.S. PATENT DOCUMENTS

D661,272	S	*	6/2012	Kim et al.	D14/126
D671,513	S	*	11/2012	Jang et al.	D14/126
D678,853	S	*	3/2013	Kim et al.	D14/126
D682,234	S	*	5/2013	Lee et al.	D14/126
D684,132	S	*	6/2013	Lee et al.	D14/126

* cited by examiner

Primary Examiner — Raphael Barkai

(74) *Attorney, Agent, or Firm* — NSIP Law

(57) **CLAIM**

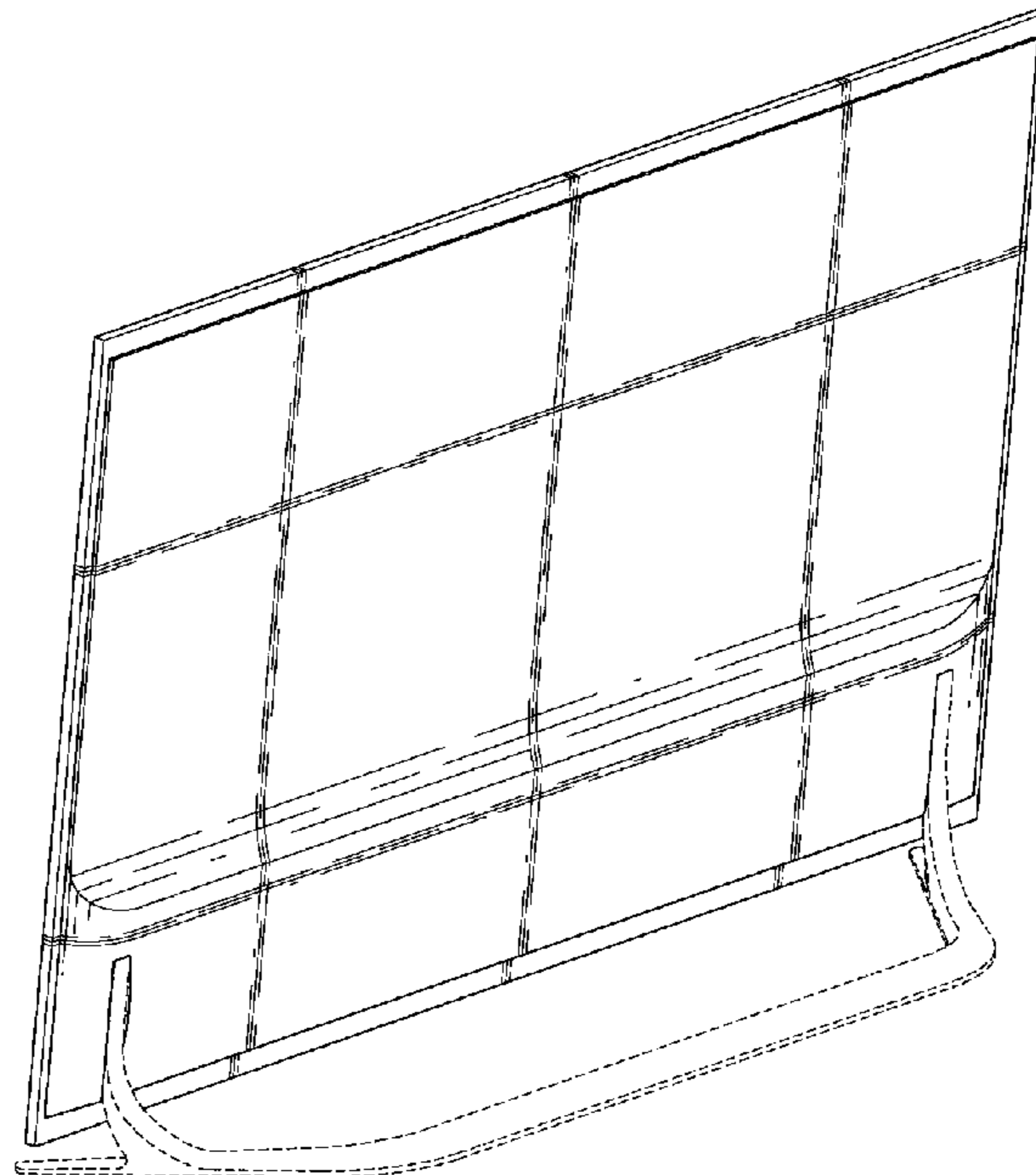
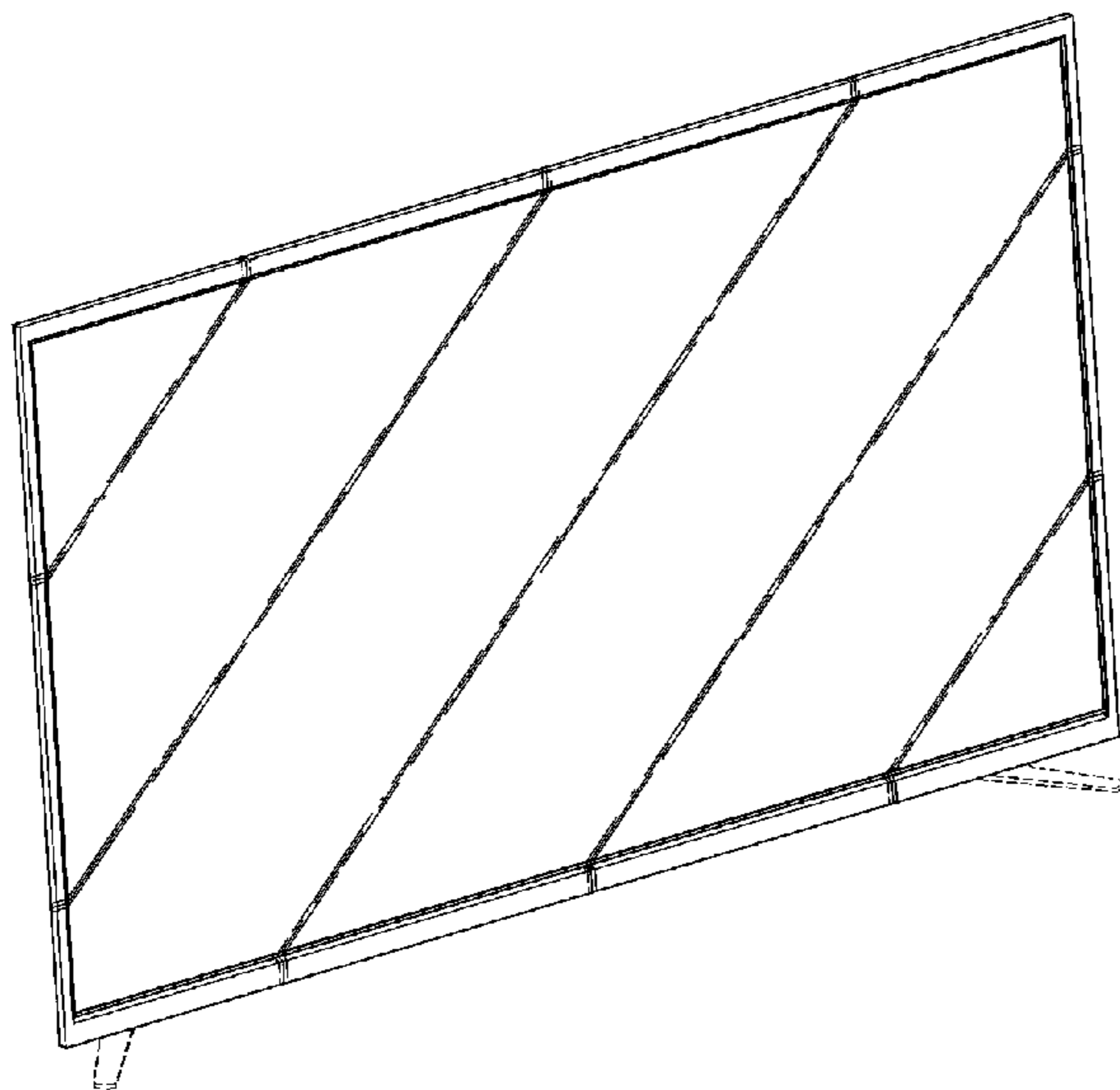
The ornamental design for a television receiver, as shown and described.

DESCRIPTION

FIG. 1 is a front perspective view of a television receiver; FIG. 2 is a front view of the television receiver of FIG. 1; FIG. 3 is a rear view of the television receiver of FIG. 1; FIG. 4 is a left-side view of the television receiver of FIG. 1; FIG. 5 is a right-side view of the television receiver of FIG. 1; FIG. 6 is a top plan view of the television receiver of FIG. 1; FIG. 7 is a bottom plan view of the television receiver of FIG. 1; and, FIG. 8 is a rear perspective view of the television receiver of FIG. 1.

Features shown in broken lines in FIGS. 1, 2, 3, 4, 5, 6, 7, and 8, form no part of the claimed design.

1 Claim, 6 Drawing Sheets



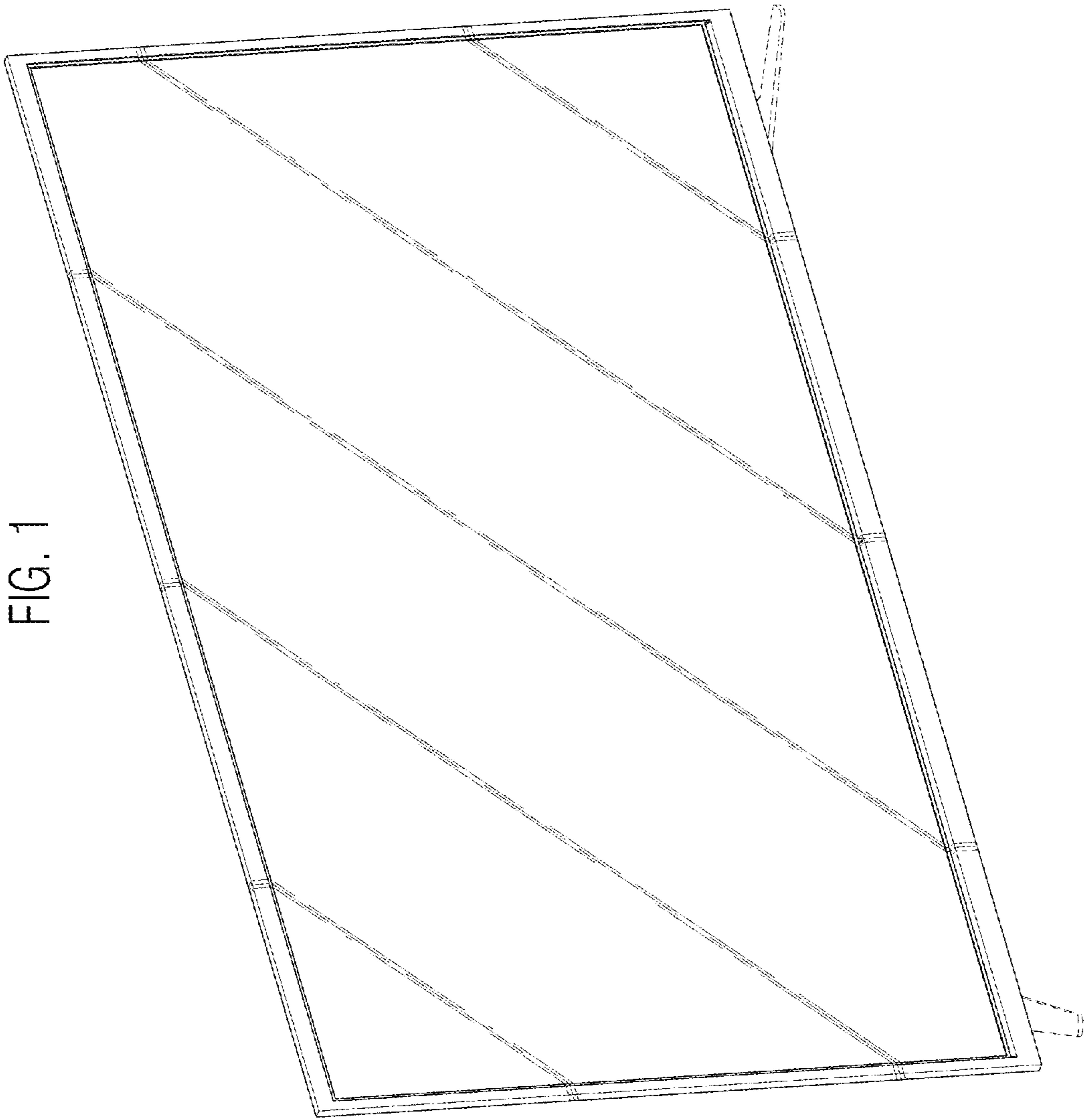


FIG. 1

FIG. 2

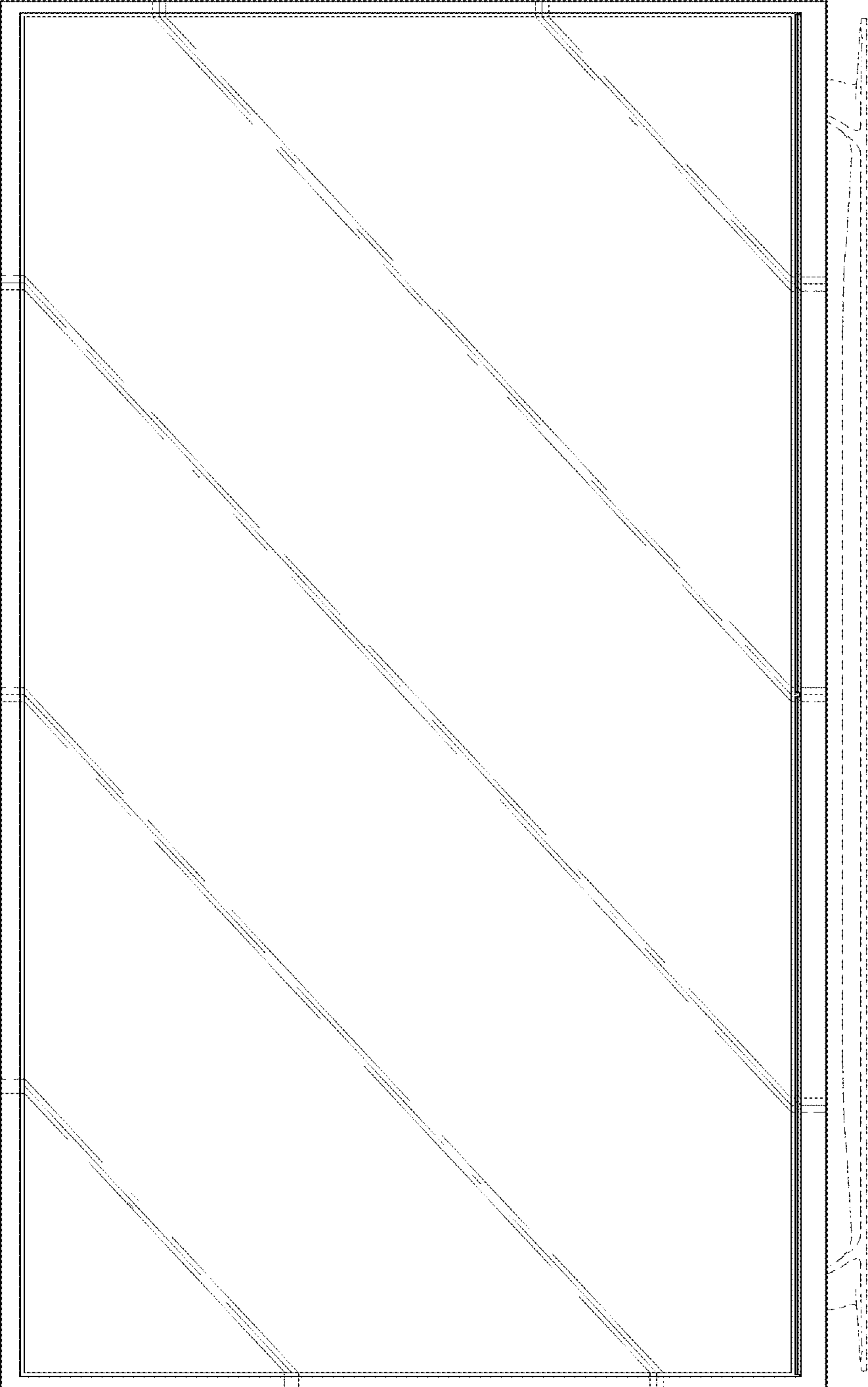


FIG. 3

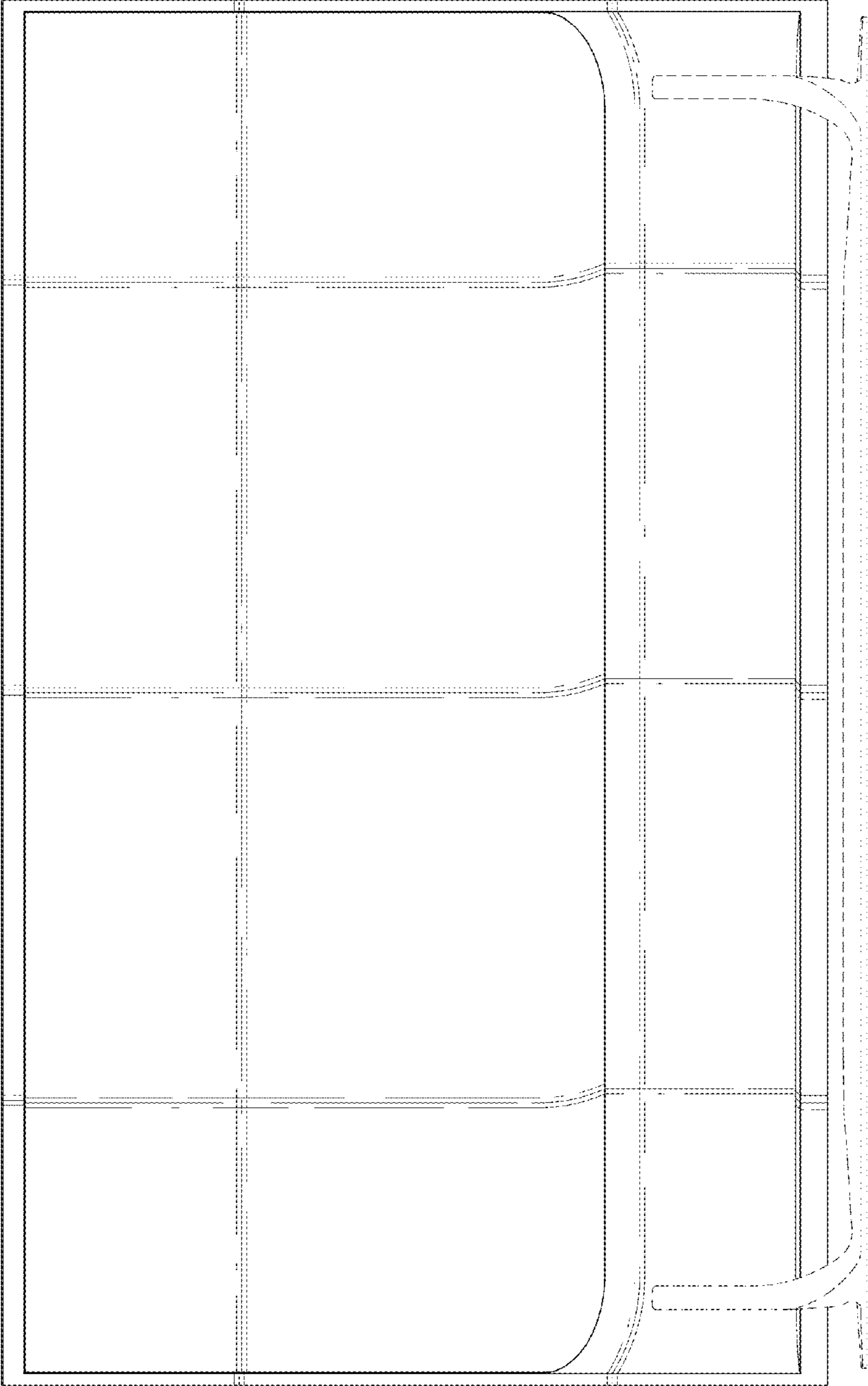


FIG. 4

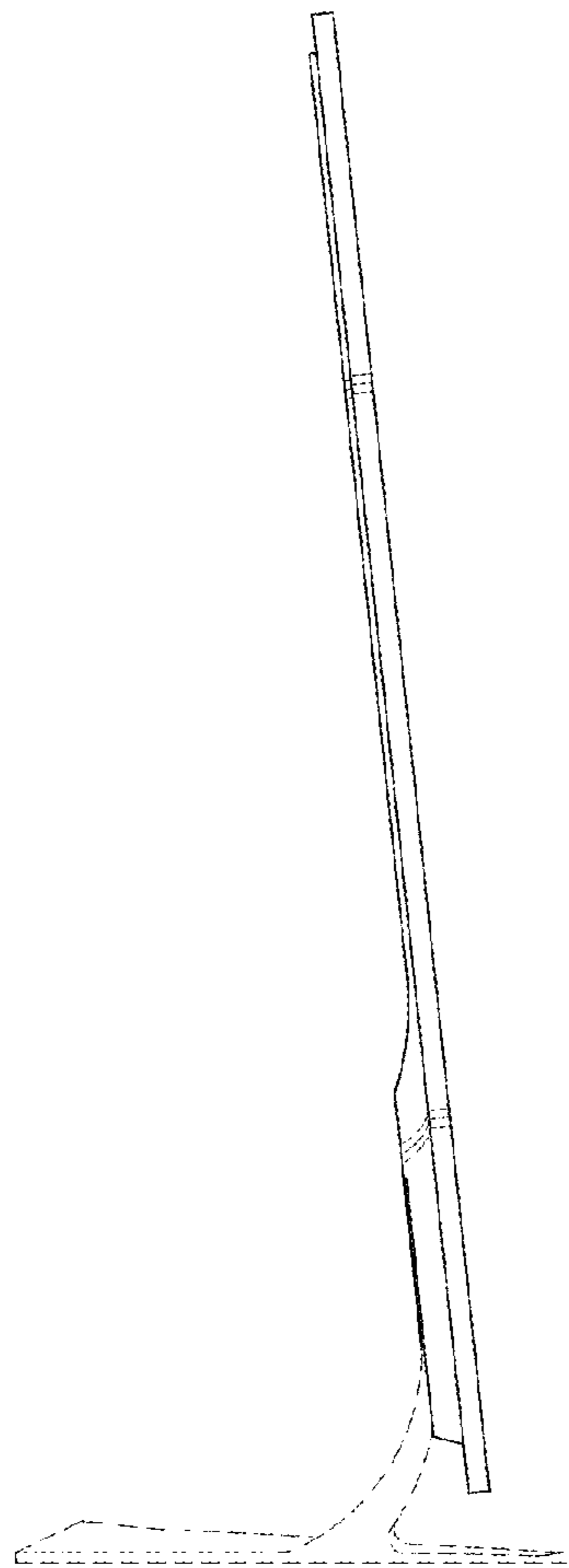


FIG. 5

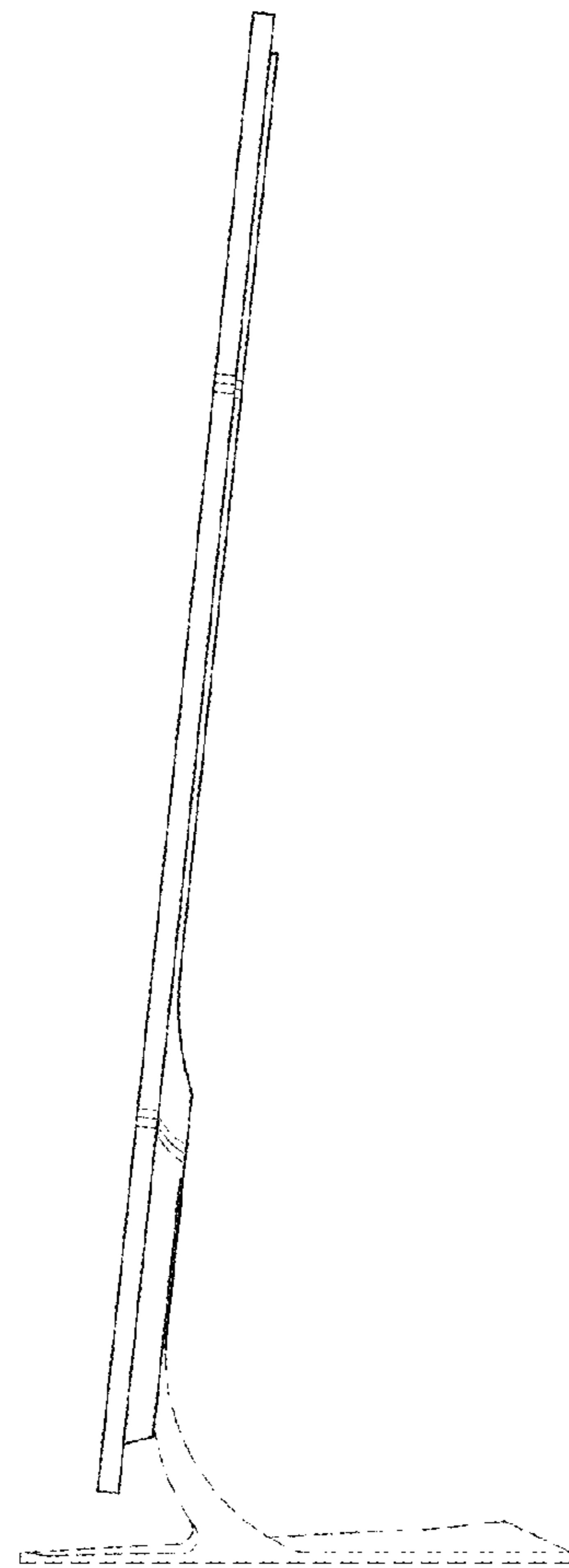


FIG. 6

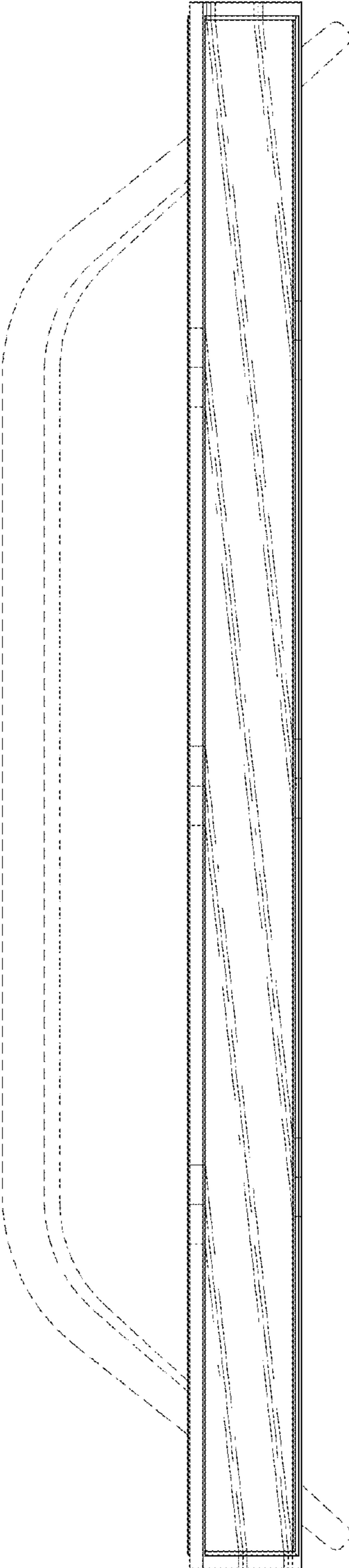


FIG. 7

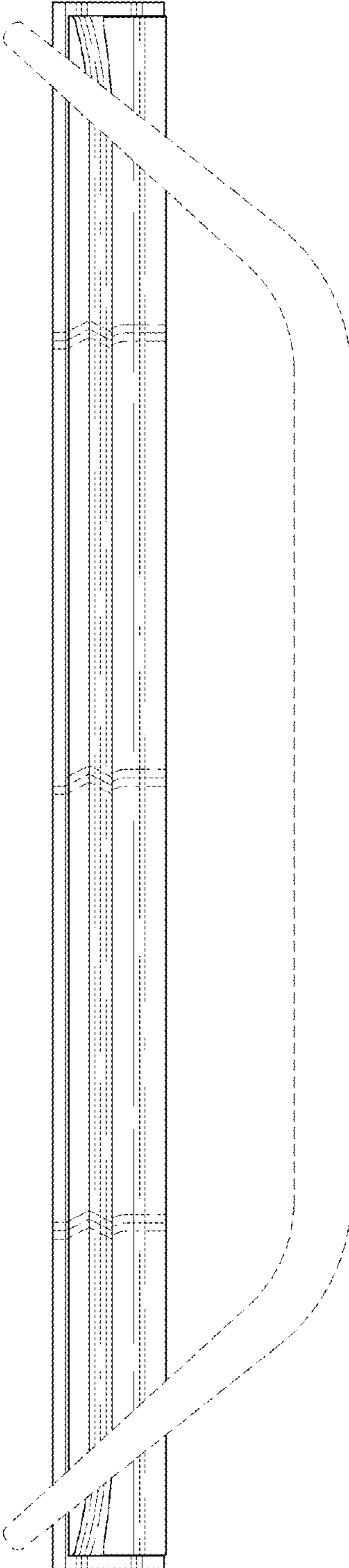


FIG. 8

