

US00D695699S

(12) **United States Design Patent**
Shih

(10) **Patent No.:** **US D695,699 S**
(45) **Date of Patent:** **** Dec. 17, 2013**

(54) **ELECTRODE**

(71) Applicant: **SemiLEDs Optoelectronics Co., Ltd.**,
Miao-Li County (TW)

(72) Inventor: **Yi-Feng Shih**, Miaoli County (TW)

(73) Assignee: **SemiLEDs Optoelectronics Co., Ltd.**,
Miao-Li County (TW)

(**) Term: **14 Years**

(21) Appl. No.: **29/448,651**

(22) Filed: **Mar. 13, 2013**

(30) **Foreign Application Priority Data**

Feb. 8, 2013 (TW) 102301158

(51) **LOC (9) Cl.** **13-03**

(52) **U.S. Cl.**
USPC **D13/180**

(58) **Field of Classification Search**
USPC D13/180; D26/1; 257/79, 80, 81, 88,
257/89, 95, 98, 99, 100, E33.058; 313/483,
313/498, 500; 362/555, 800
See application file for complete search history.

(56) **References Cited**

U.S. PATENT DOCUMENTS

6,541,291 B2 * 4/2003 Kuniyasu 438/22
6,614,056 B1 * 9/2003 Tarsa et al. 257/91
7,095,041 B2 * 8/2006 Cho et al. 257/13

7,262,435 B2 * 8/2007 Hamamoto 257/79
D647,493 S * 10/2011 Chang et al. D13/180
D647,494 S * 10/2011 Chang et al. D13/180
D653,629 S * 2/2012 Miyashita D13/180
8,319,233 B2 * 11/2012 Beom et al. 257/88
8,373,179 B2 * 2/2013 Fang et al. 257/79
8,445,924 B2 * 5/2013 Jeong et al. 257/88
2009/0026468 A1 * 1/2009 Sakai et al. 257/88
2011/0012152 A1 * 1/2011 Lim et al. 257/98
2011/0260189 A1 * 10/2011 Kim 257/98
2012/0037950 A1 * 2/2012 Chiang 257/100
2012/0074438 A1 * 3/2012 Hwang et al. 257/88
2012/0193654 A1 * 8/2012 Jeong et al. 257/88
2012/0261678 A1 * 10/2012 Hiraiwa et al. 257/79
2013/0020599 A1 * 1/2013 Han et al. 257/98
2013/0181238 A1 * 7/2013 Tischler et al. 257/88

* cited by examiner

Primary Examiner — Selina Sikder

(74) *Attorney, Agent, or Firm* — WPAT, PC; Justin King

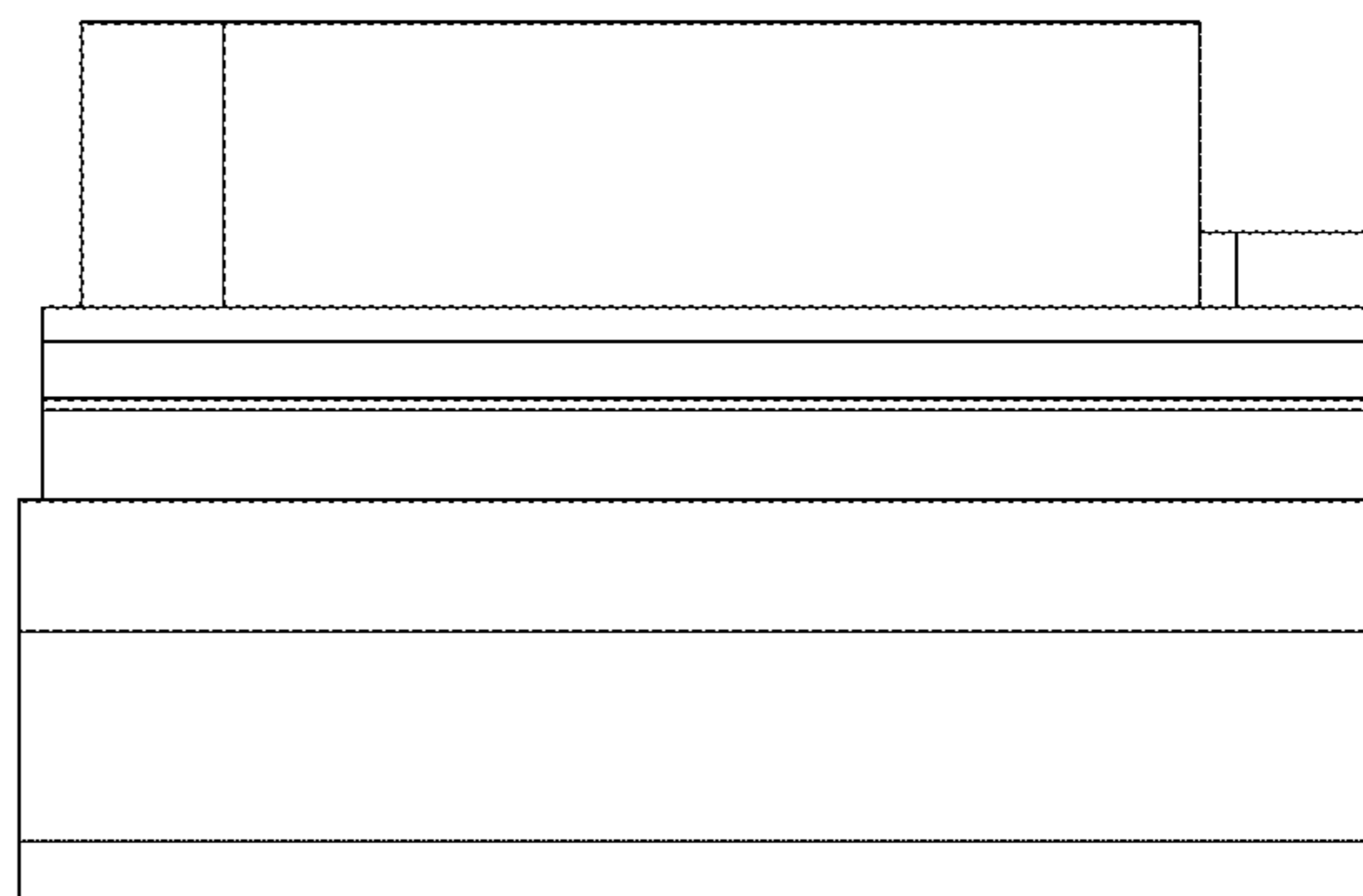
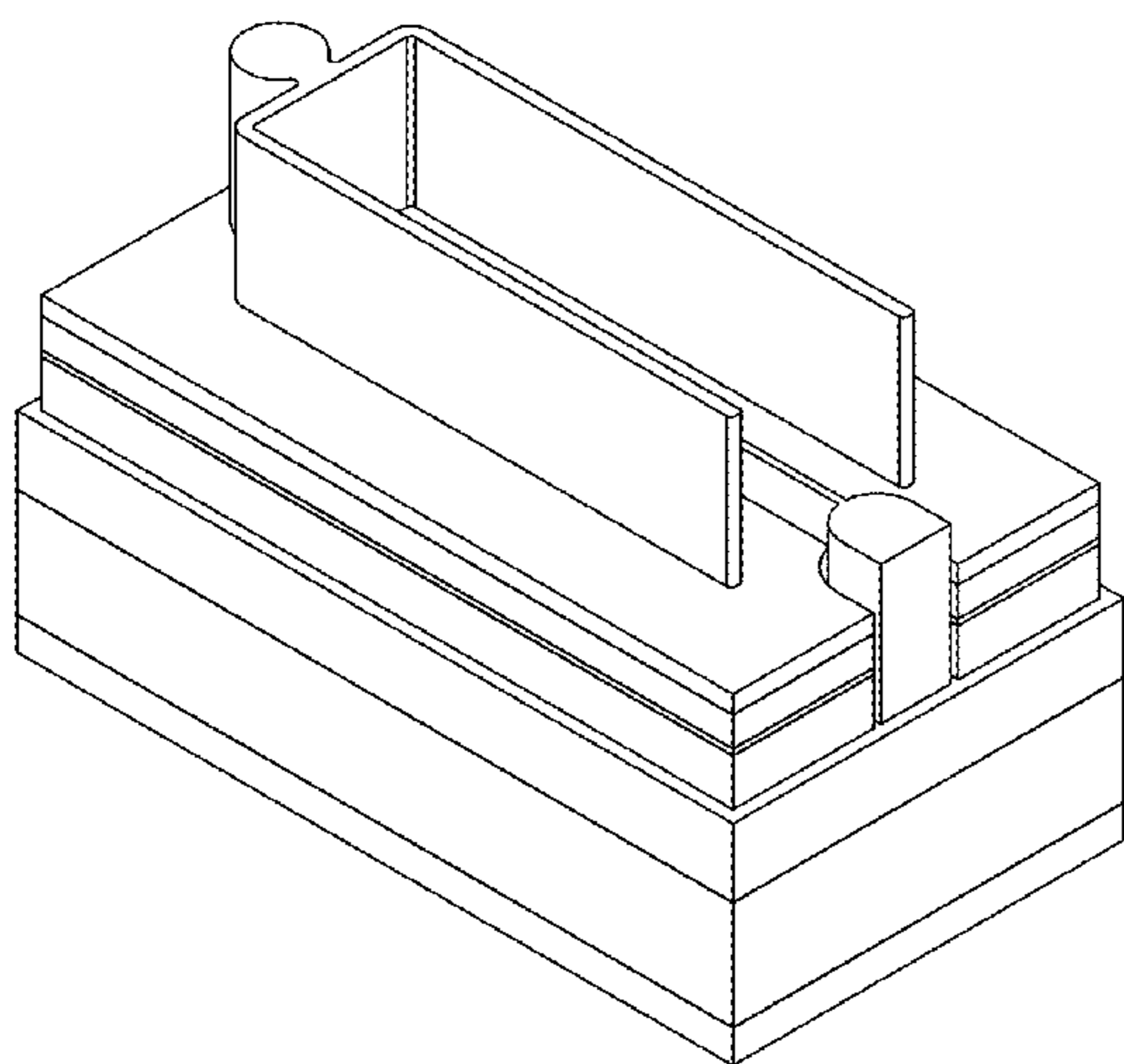
(57) **CLAIM**

The ornamental design for a electrode, shown and described.

DESCRIPTION

FIG. 1 is a perspective view of a “electrode” showing my design;
FIG. 2 is a front view thereof;
FIG. 3 is a back view thereof;
FIG. 4 is a left view thereof;
FIG. 5 is a right view thereof;
FIG. 6 is a top view thereof; and,
FIG. 7 is a bottom view thereof.

1 Claim, 7 Drawing Sheets



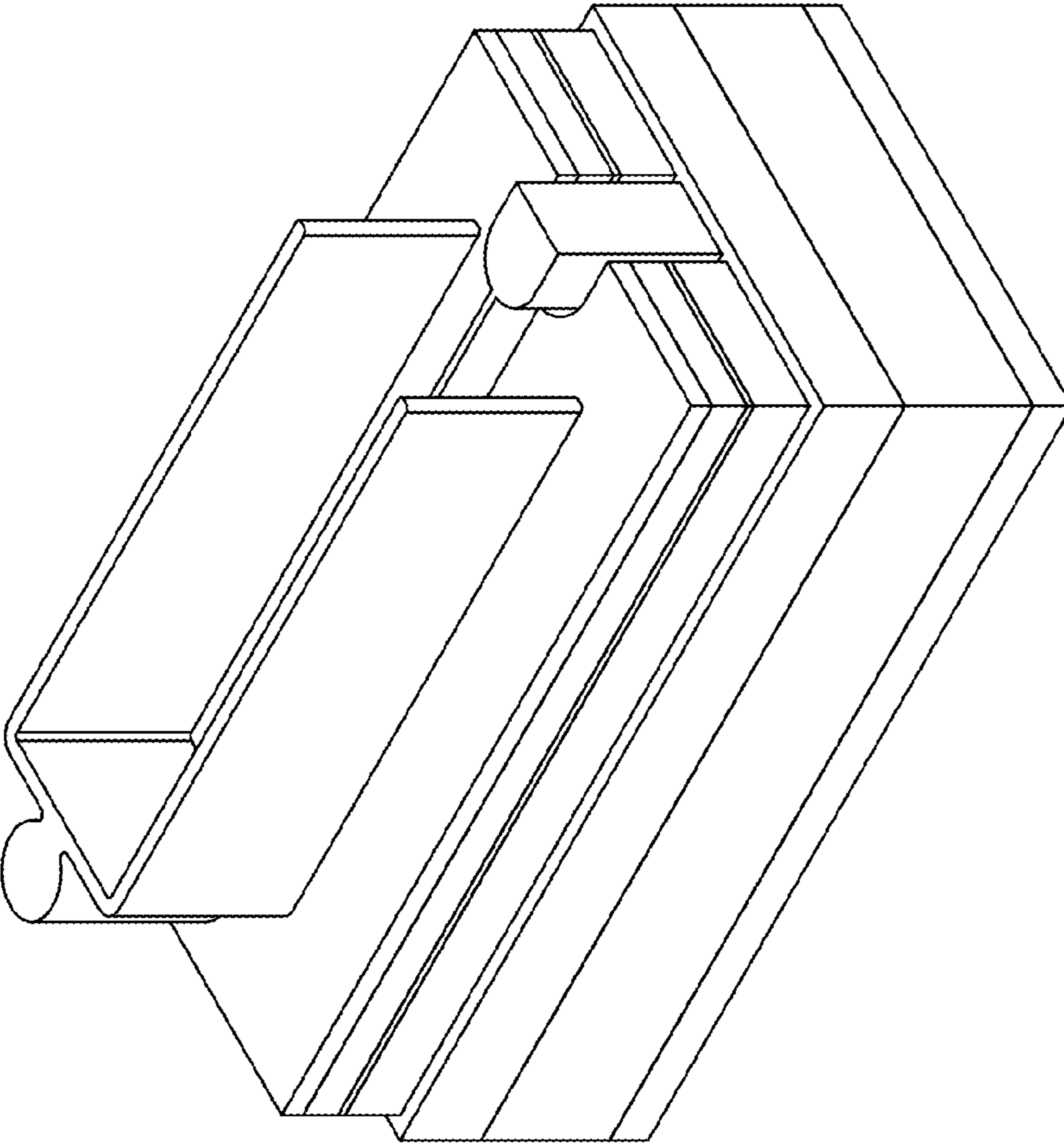


FIG.1

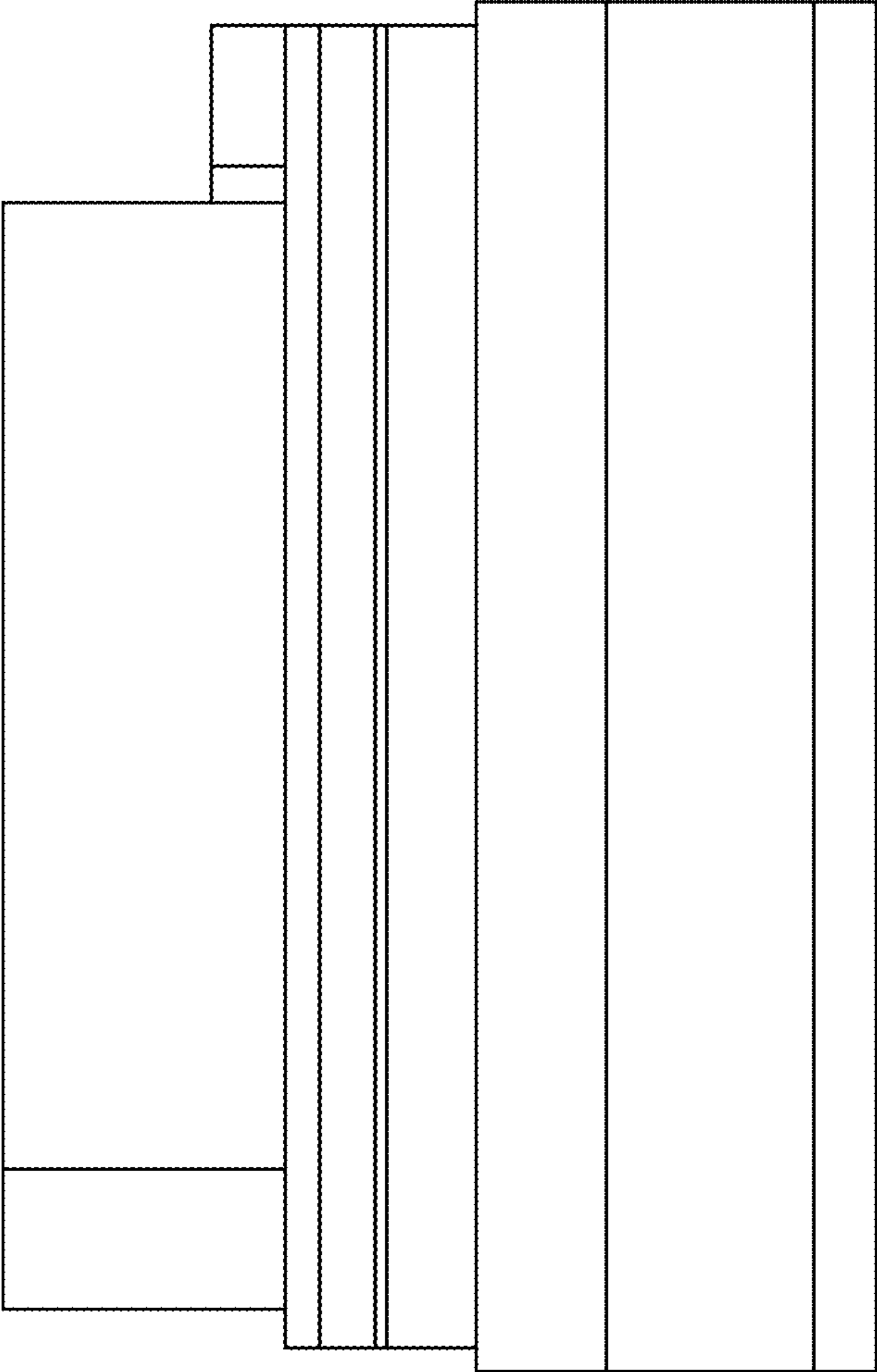


FIG.2

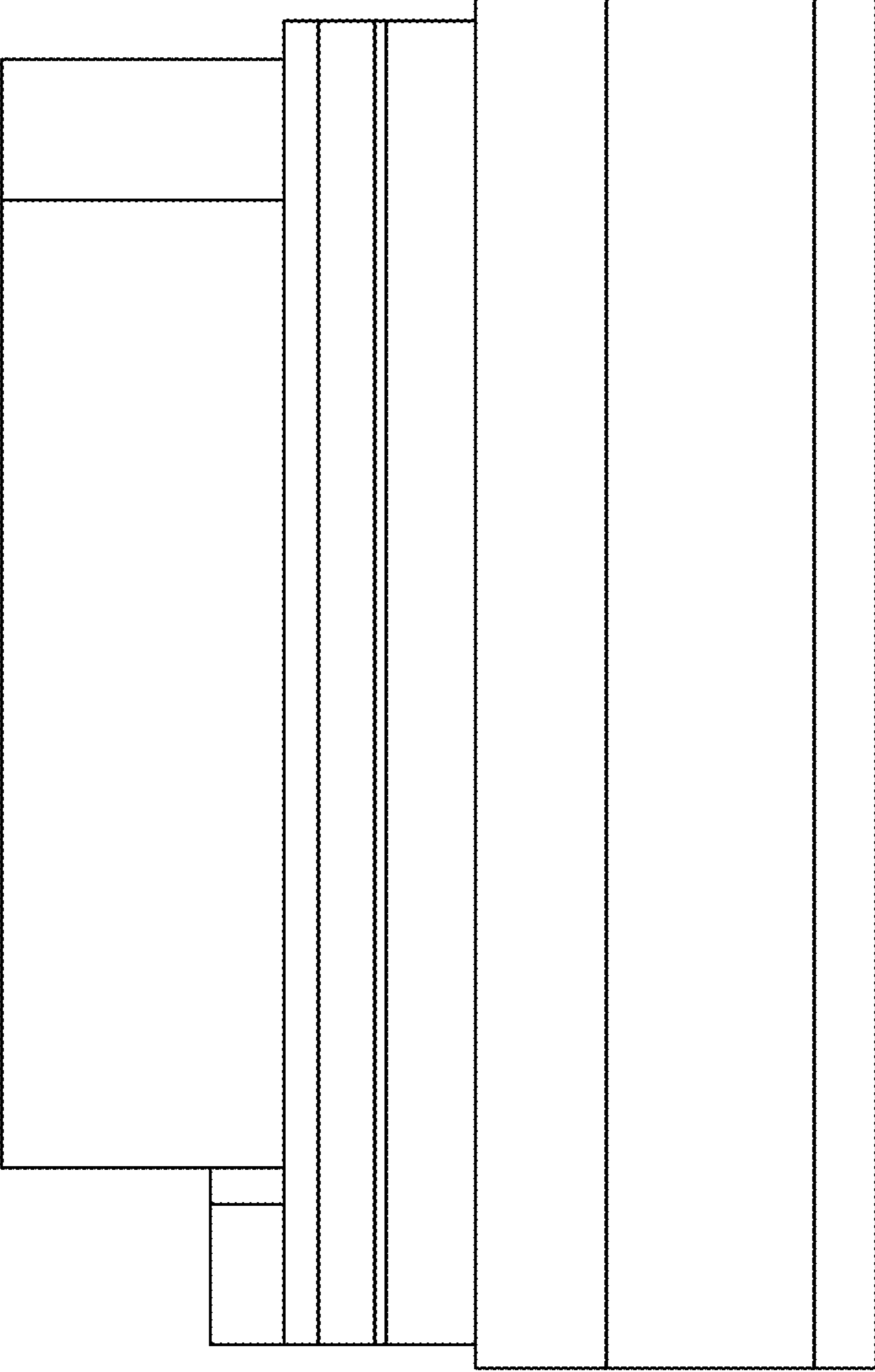


FIG.3

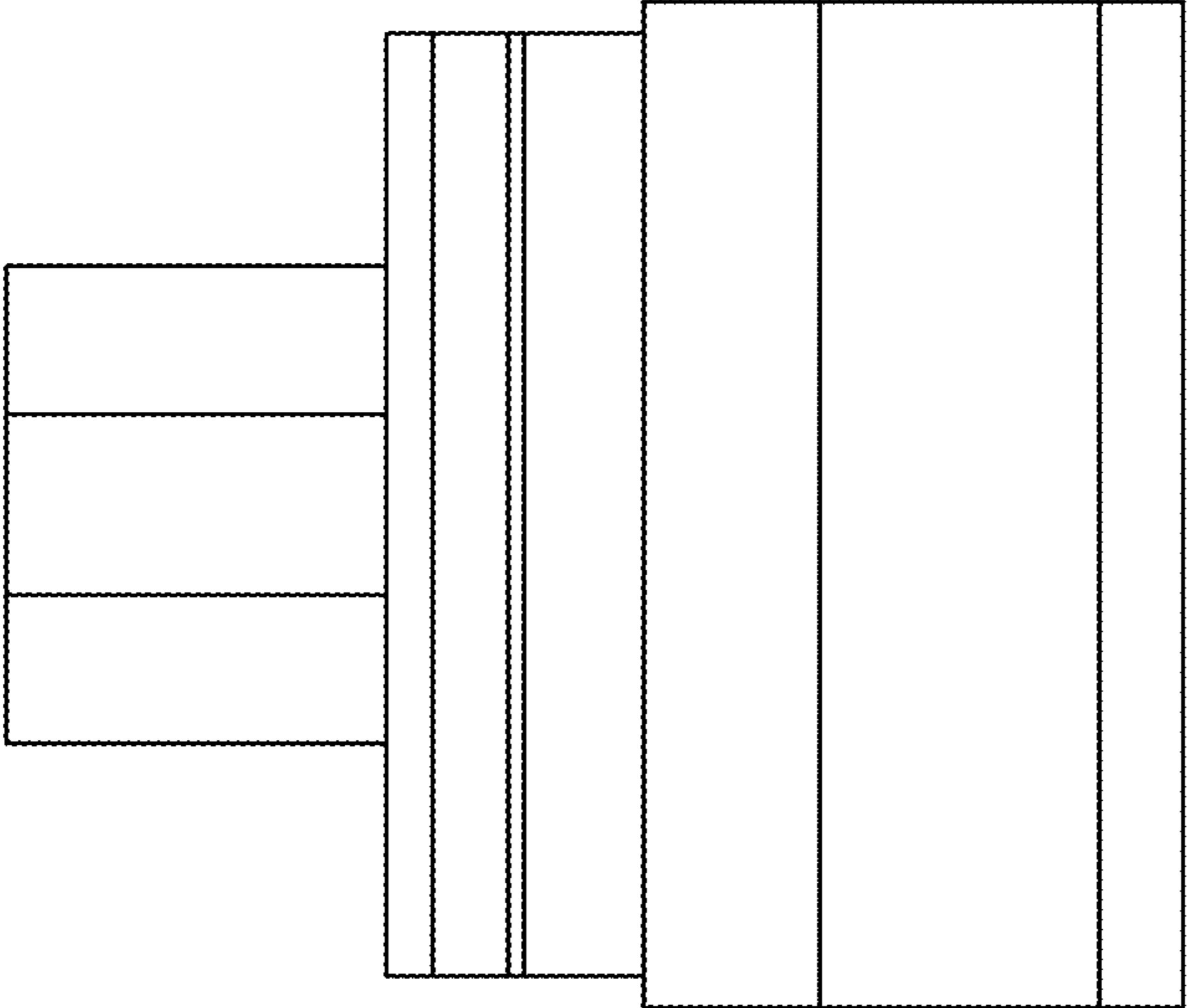


FIG.4

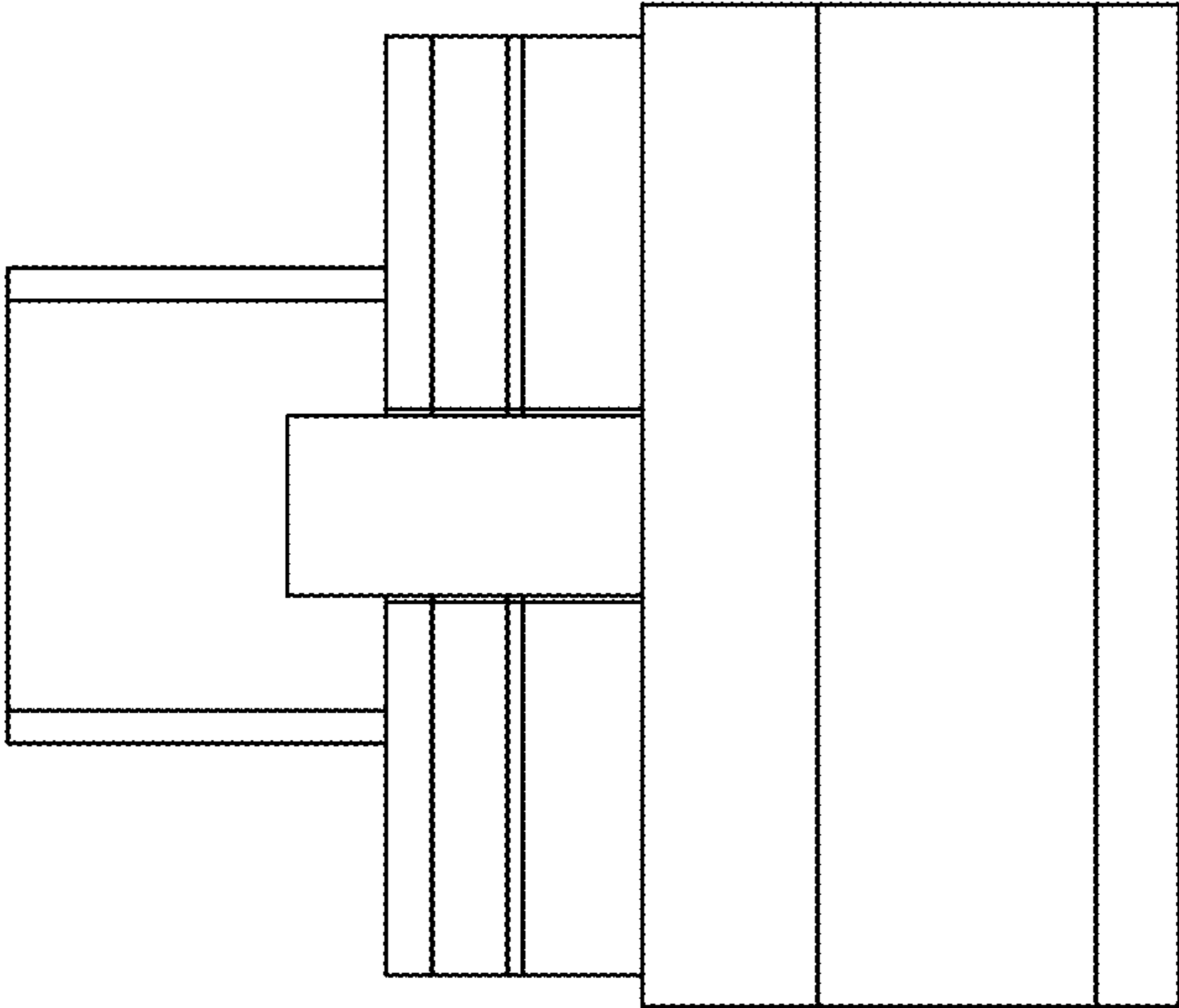


FIG.5

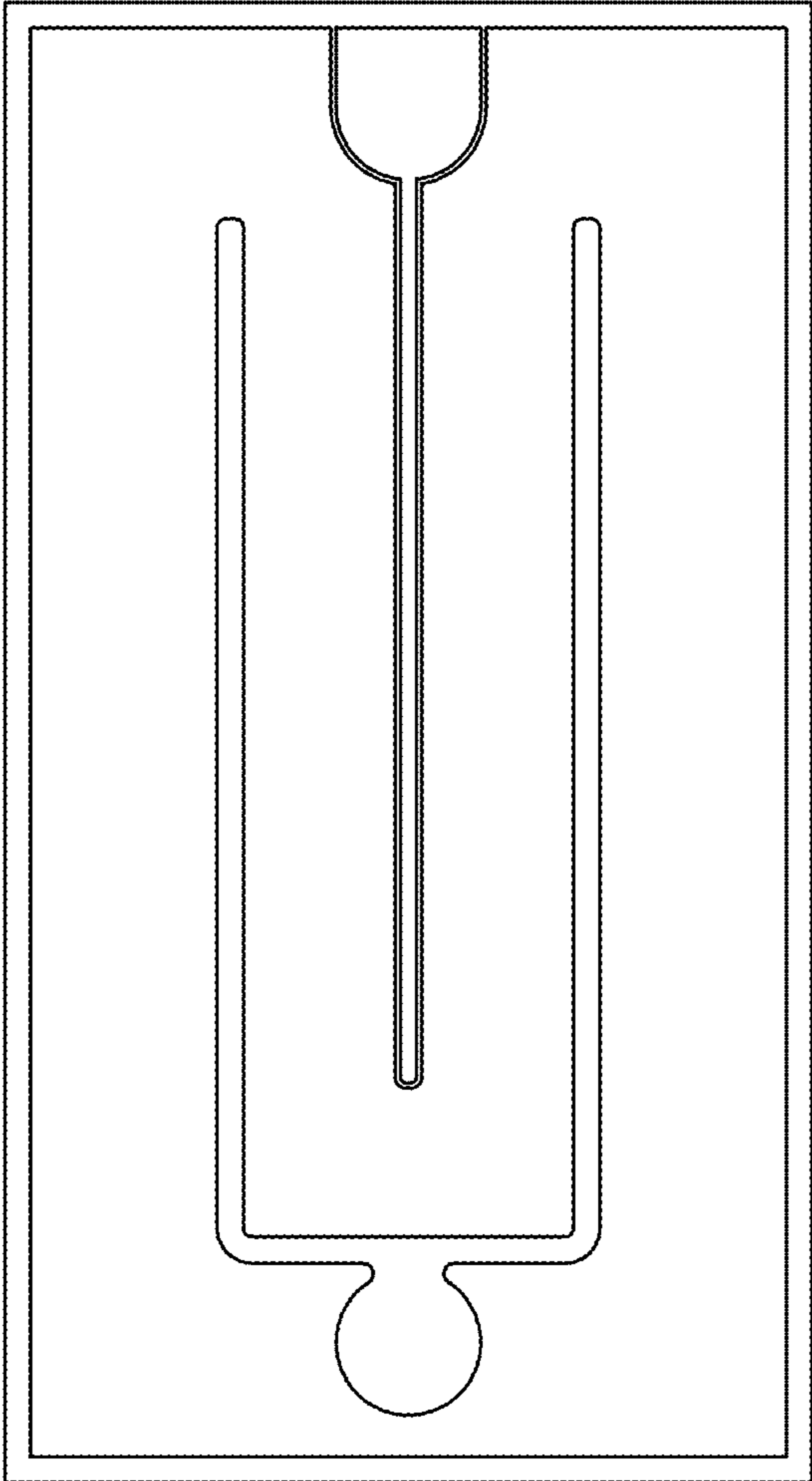


FIG.6

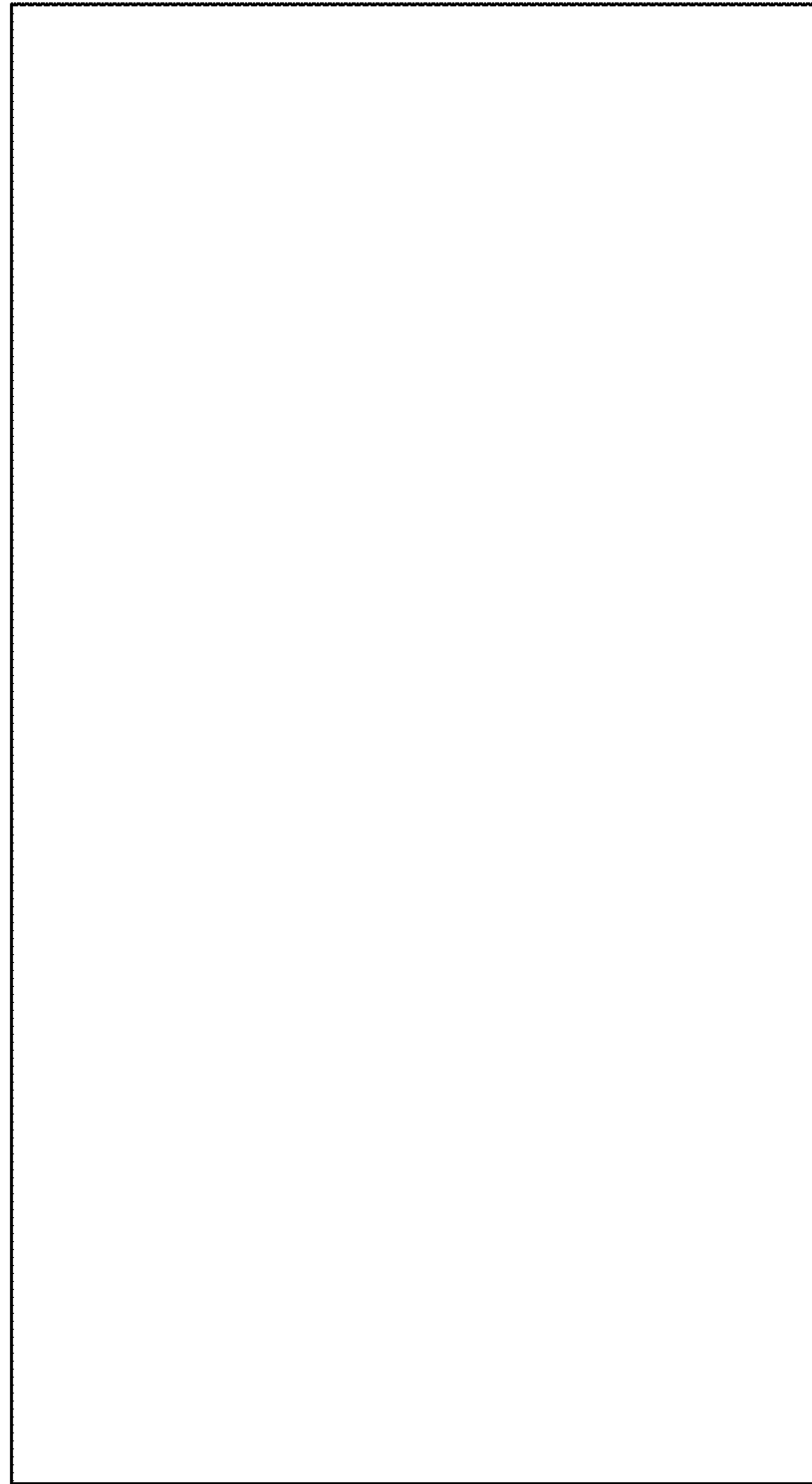


FIG. 7