



US00D695698S

(12) **United States Design Patent**  
**Greenberg**

(10) **Patent No.:** **US D695,698 S**

(45) **Date of Patent:** **\*\* Dec. 17, 2013**

(54) **FUSE AND POWER DISTRIBUTION BLOCK**

(71) Applicant: **William Greenberg**, Windham, OH  
(US)

(72) Inventor: **William Greenberg**, Windham, OH  
(US)

(\*\*) Term: **14 Years**

(21) Appl. No.: **29/443,394**

(22) Filed: **Jan. 16, 2013**

(51) **LOC (9) Cl.** ..... **13-03**

(52) **U.S. Cl.**  
USPC ..... **D13/178; D13/123**

(58) **Field of Classification Search**  
USPC ..... D13/123, 133, 146, 147, 154, 162, 184;  
439/409, 412, 417, 441, 709, 715, 716,  
439/717, 721, 729, 835, 260, 329, 492, 495,  
439/570, 68, 73, 135, 331, 526, 862, 92,  
439/344, 638, 650, 676; D14/256, 356-358  
See application file for complete search history.

(56) **References Cited**

**U.S. PATENT DOCUMENTS**

D264,460 S \* 5/1982 Moller ..... D13/184  
D370,662 S \* 6/1996 Alfaro ..... D13/160  
D406,111 S \* 2/1999 Awbrey ..... D13/178

D425,870 S \* 5/2000 Torrez ..... D13/160  
D430,850 S \* 9/2000 Alves et al. .... D13/152  
D442,148 S \* 5/2001 Renne et al. .... D13/178  
D508,027 S \* 8/2005 Shingt ..... D13/184  
D582,848 S \* 12/2008 Johansson ..... D13/123  
D598,858 S \* 8/2009 Stromiedel et al. .... D13/133  
D625,270 S \* 10/2010 Schafmeister ..... D13/147  
7,942,706 B1 \* 5/2011 McSweyn et al. .... 439/709  
D652,797 S \* 1/2012 Smith et al. .... D13/133  
D671,897 S \* 12/2012 Kettern et al. .... D13/149

\* cited by examiner

*Primary Examiner* — Thomas Johannes

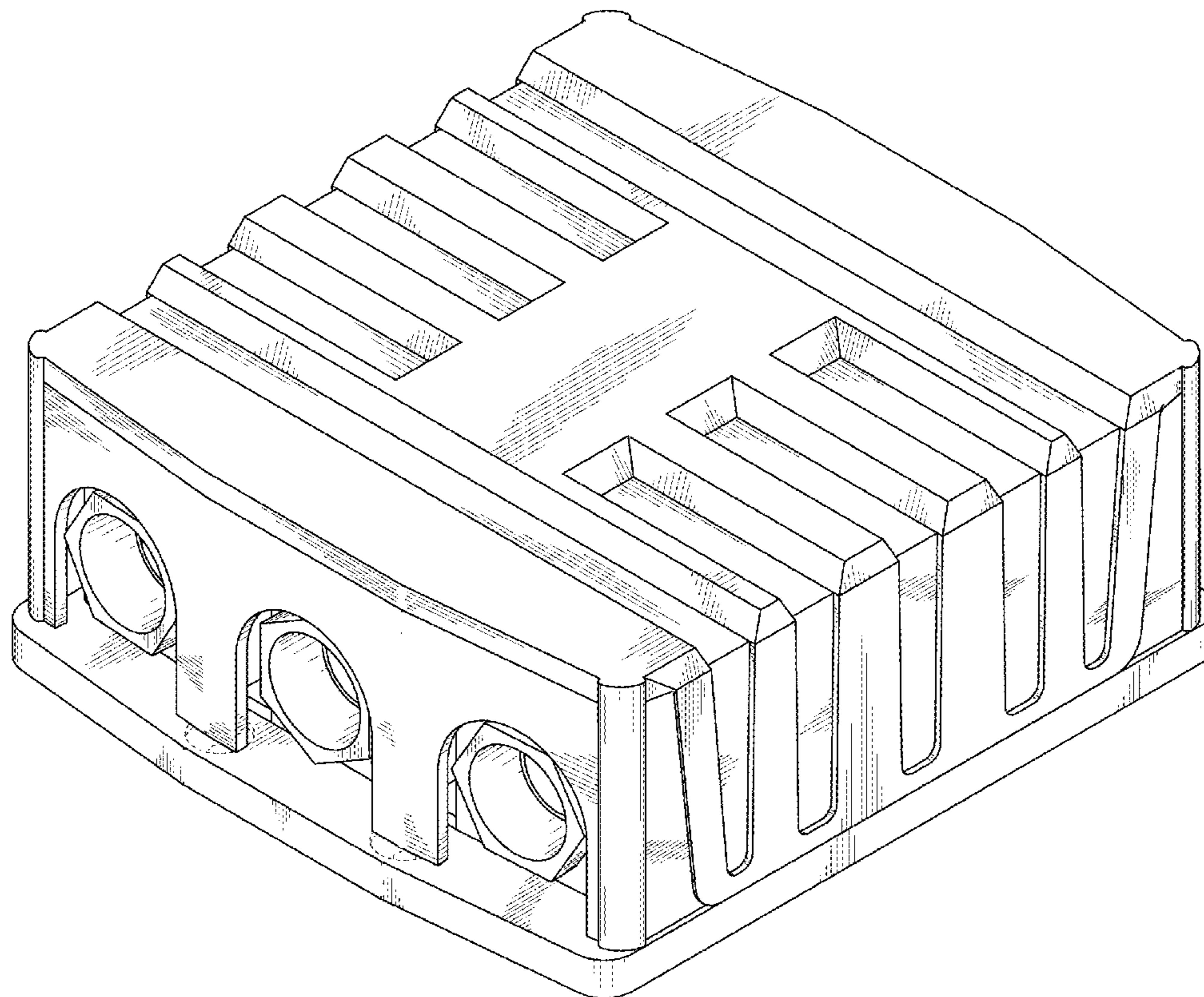
(57) **CLAIM**

The ornamental design for a fuse and power distribution block, as shown and described.

**DESCRIPTION**

FIG. 1 is a perspective view of a fuse and power distribution block showing my new design;  
FIG. 2 is a perspective bottom view thereof;  
FIG. 3 is a front end view thereof;  
FIG. 4 is a side view thereof;  
FIG. 5 is a top view thereof; and,  
FIG. 6 is a bottom view thereof.  
The broken lines show unclaimed subject matter only and form no part of the claimed design.

**1 Claim, 5 Drawing Sheets**



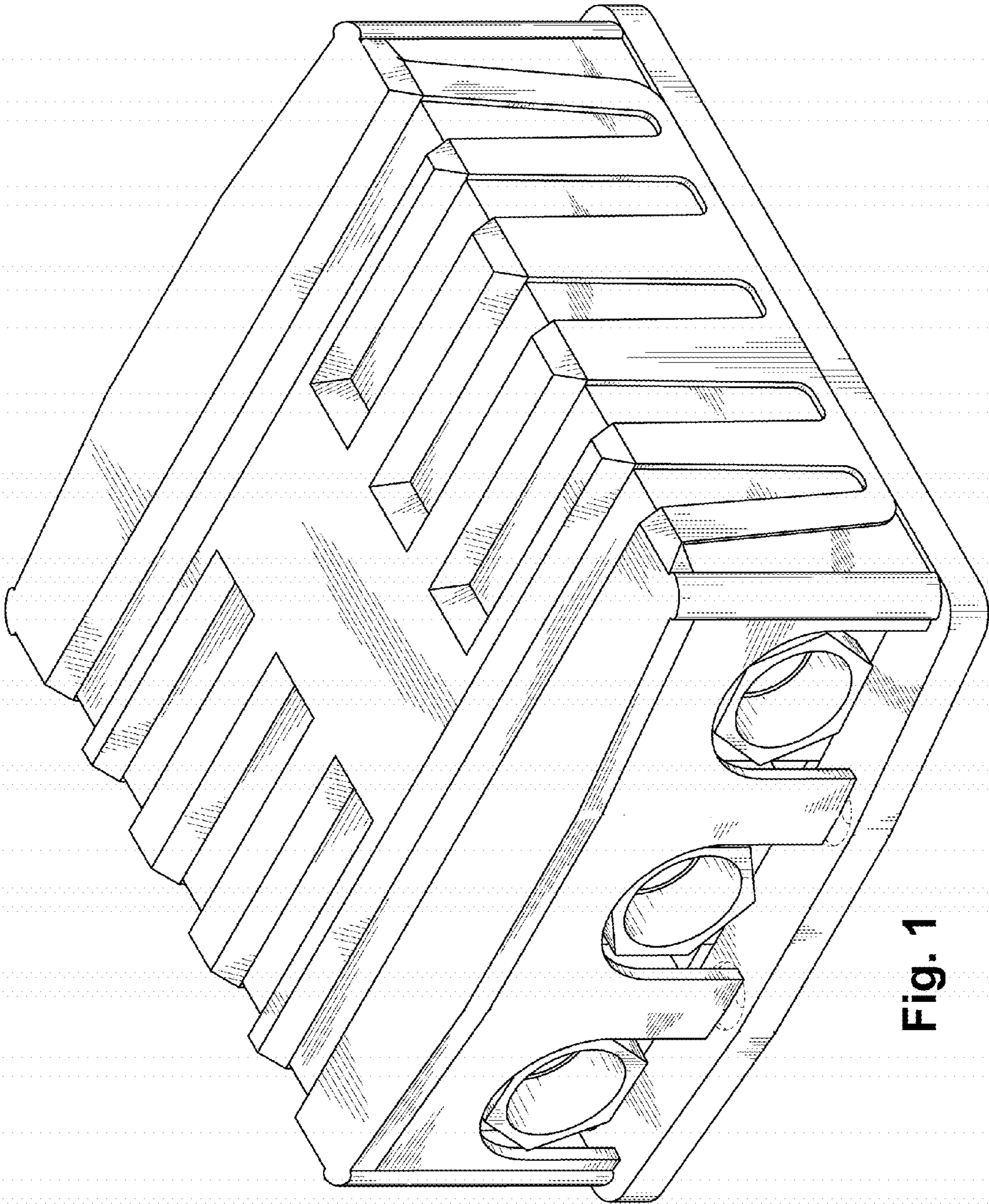


Fig. 1

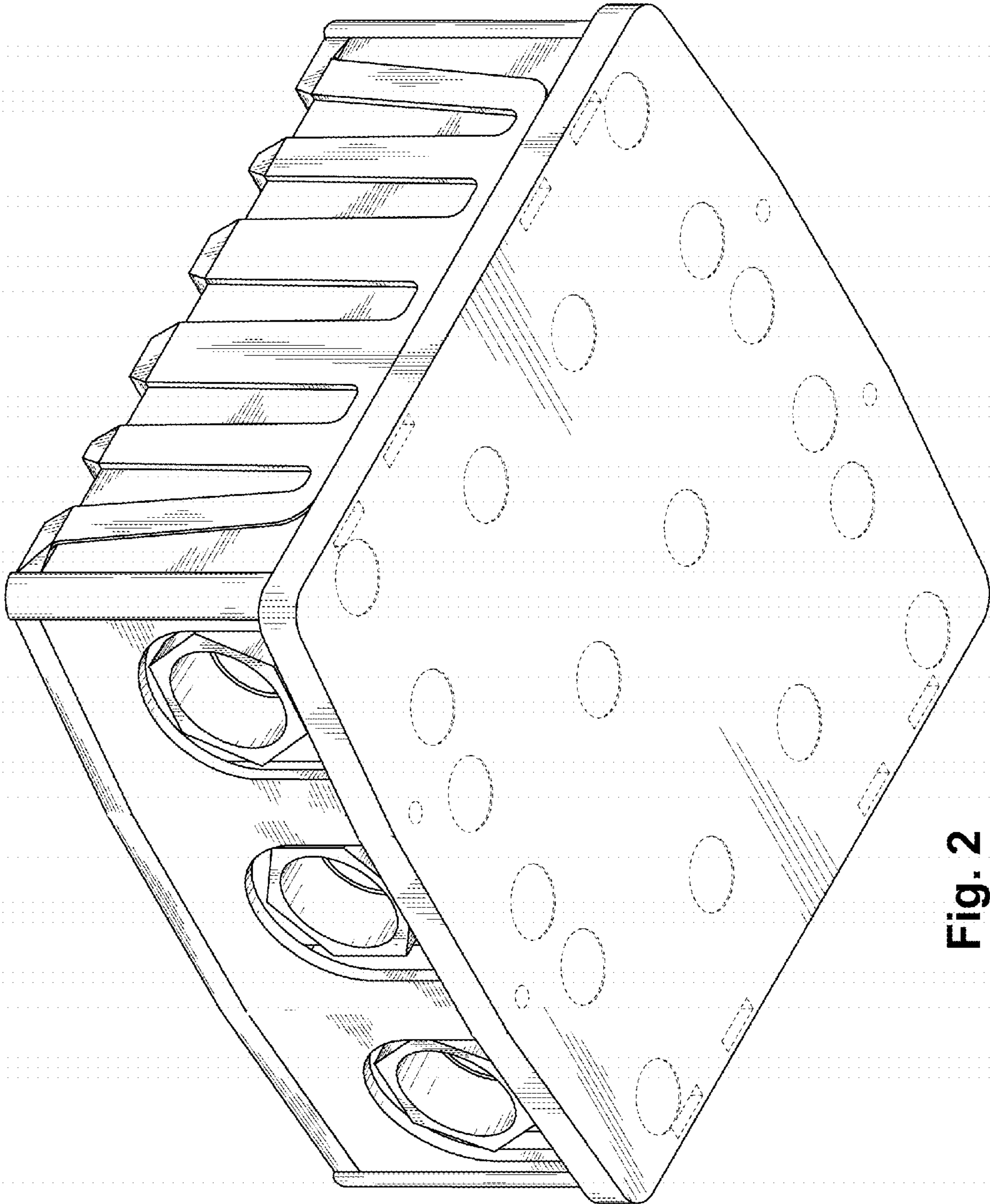


Fig. 2

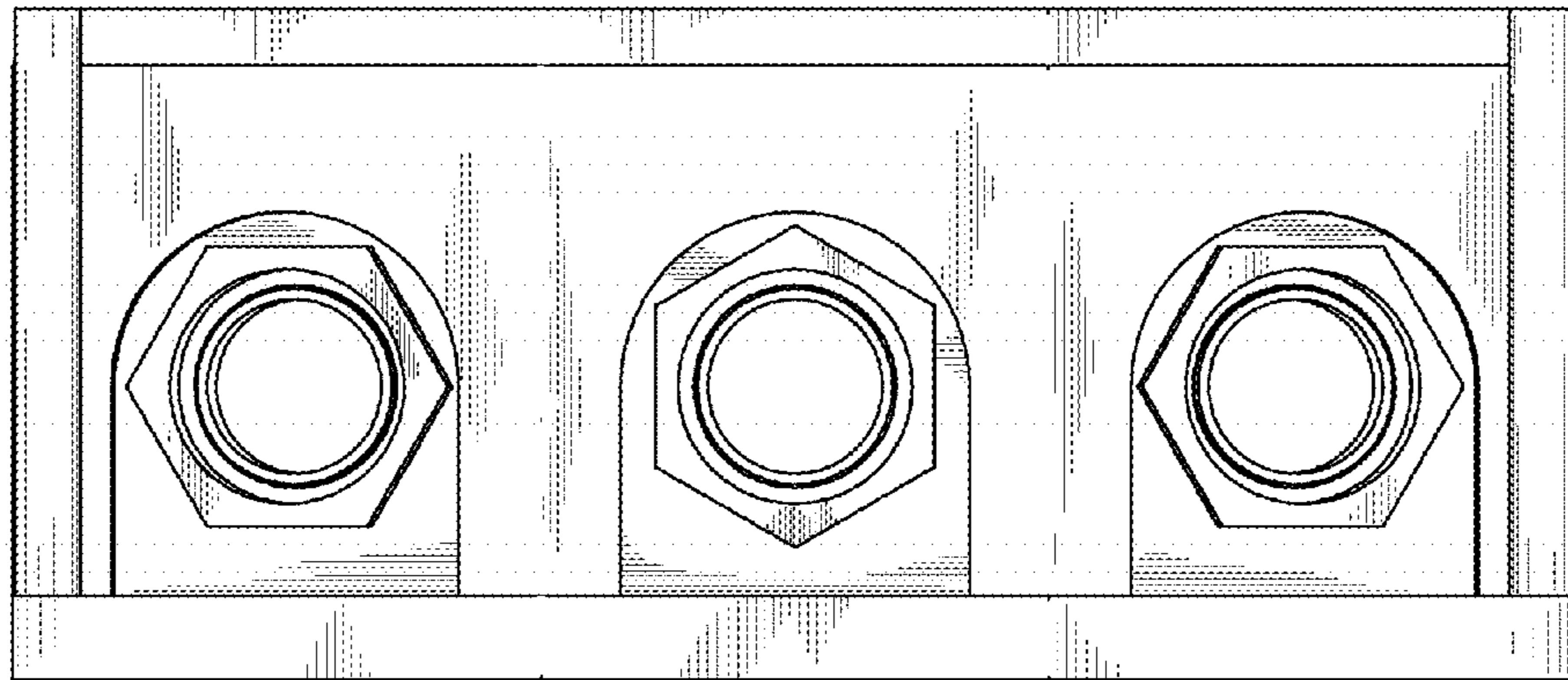


Fig. 3

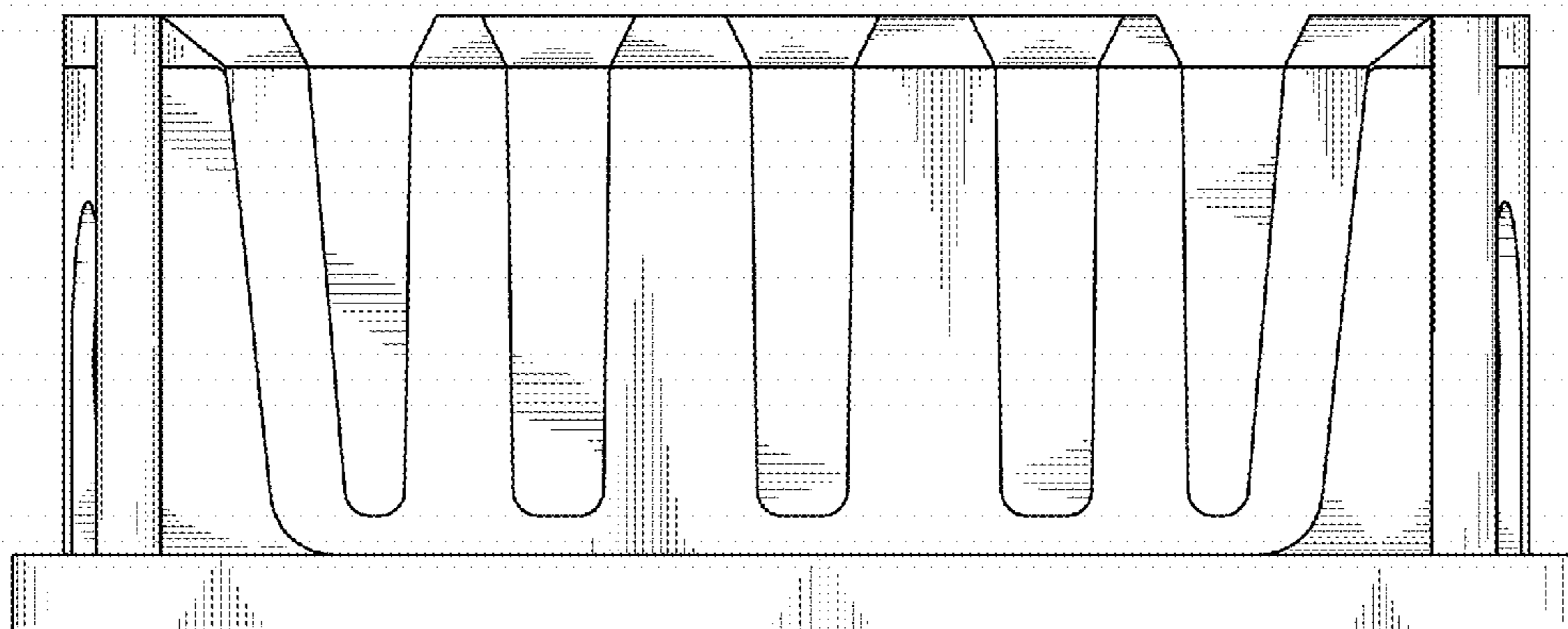


Fig. 4

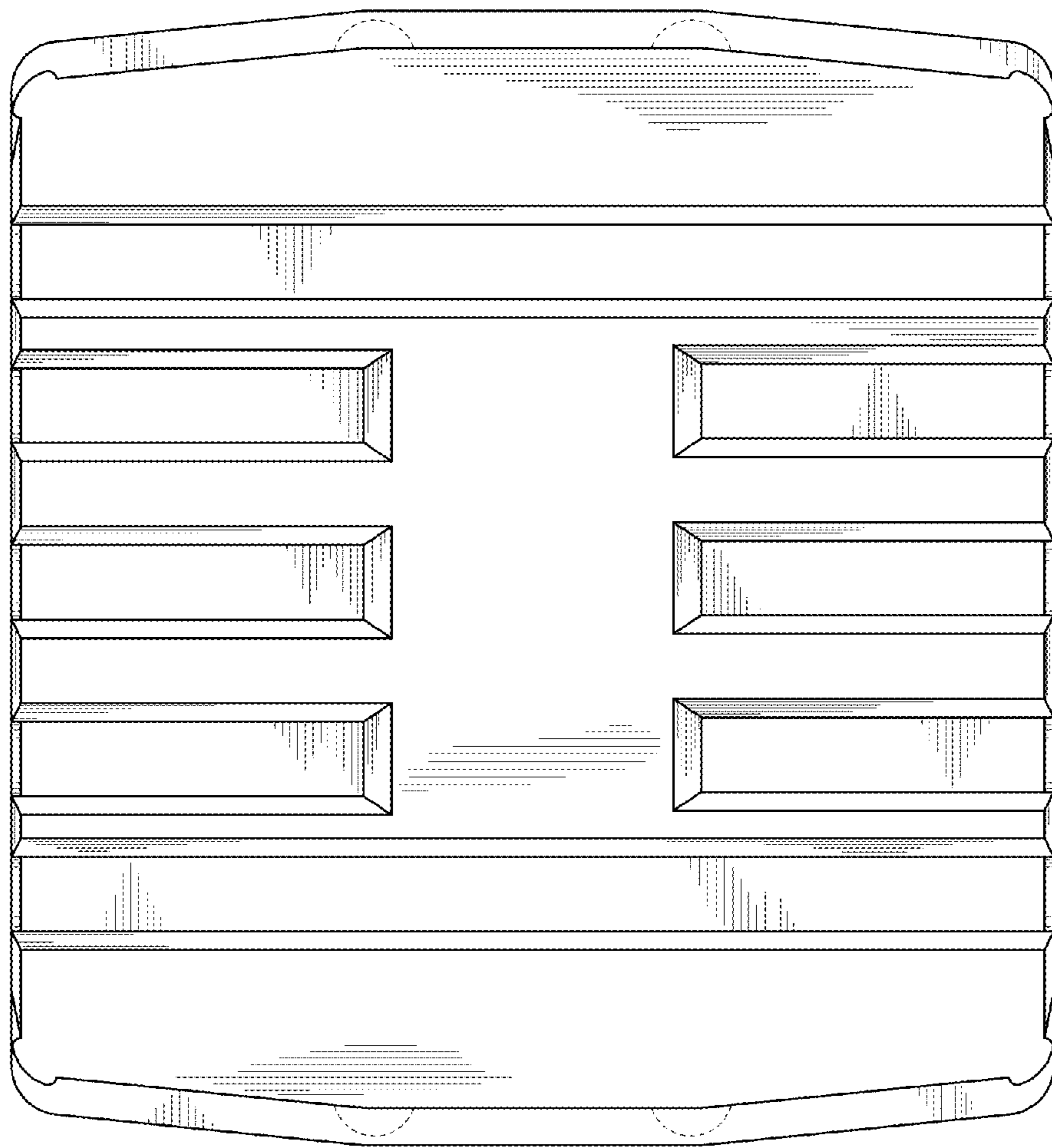


Fig. 5

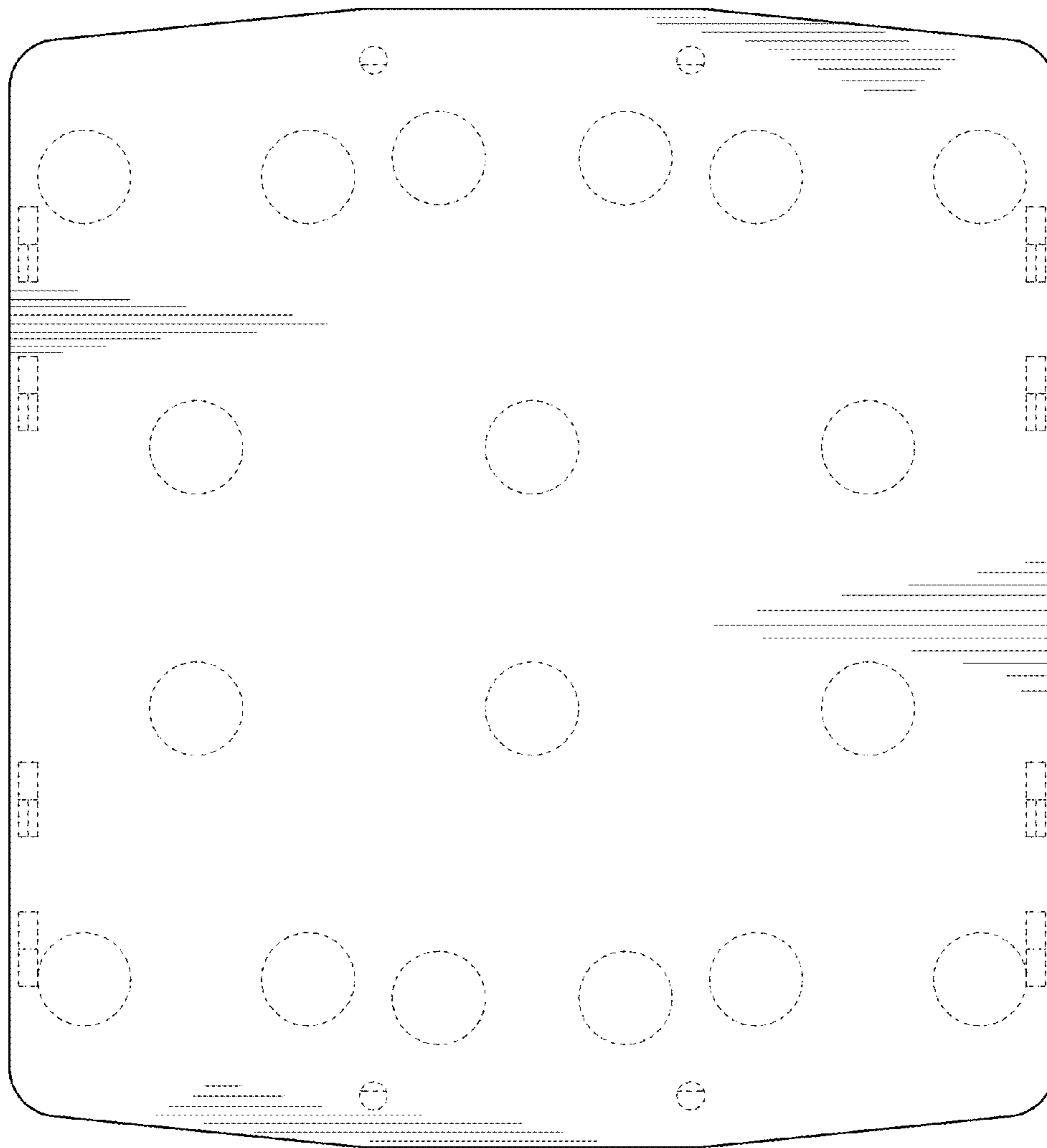


Fig. 6