

US00D695695S

(12) **United States Design Patent**
Kelly

(10) **Patent No.:** **US D695,695 S**
(45) **Date of Patent:** **** Dec. 17, 2013**

(54) **SEALING CONNECTOR BOOT WITH MANDREL GRIP**

(71) Applicant: **PerfectVision Manufacturing, Inc.**,
North Little Rock, AR (US)

(72) Inventor: **David A. Kelly**, Arkadelphia, AR (US)

(73) Assignee: **PerfectVision Manufacturing, Inc.**,
Little Rock, AR (US)

(**) Term: **14 Years**

(21) Appl. No.: **29/435,574**

(22) Filed: **Oct. 25, 2012**

(51) **LOC (9) Cl.** **13-03**

(52) **U.S. Cl.**
USPC **D13/156**

(58) **Field of Classification Search**
USPC D13/156, 133, 153, 154, 184, 199;
439/227, 271, 275, 278, 279, 281, 283,
439/445, 447, 578, 583, 584, 927

See application file for complete search history.

(56) **References Cited**

U.S. PATENT DOCUMENTS

3,674,075	A	7/1972	Hoegge	
4,791,837	A	12/1988	Main	
4,869,679	A	9/1989	Szegda	
D331,567	S *	12/1992	Braga et al.	D13/156
5,297,458	A	3/1994	Smith	
5,342,096	A	8/1994	Bachle	
5,564,938	A *	10/1996	Shenkal et al.	439/301
5,681,189	A	10/1997	Dunham	
D398,493	S	9/1998	Jones	
5,866,849	A	2/1999	Tuvy	
D456,363	S *	4/2002	Lee	D13/154
6,817,272	B2 *	11/2004	Holland	81/124.2
D504,113	S	4/2005	Montena	
6,929,265	B2	8/2005	Holland	

6,994,587	B2	2/2006	Buenz
7,097,500	B2	8/2006	Montena
7,147,509	B1	12/2006	Burris
7,186,127	B2	3/2007	Montena
7,191,687	B1	3/2007	Wadsley
7,264,503	B2	9/2007	Montena
7,311,555	B1	12/2007	Burris
7,354,309	B2	4/2008	Palinkas
7,402,063	B2	7/2008	Montena
D575,744	S	8/2008	Amidon
7,500,874	B2	3/2009	Montena
7,544,094	B1	6/2009	Paglia

(Continued)

OTHER PUBLICATIONS

Multicom, Cable Prep Wing Ding Torque Wrench, www.multicominc.com/cable-prep-products/section_one/wing_ding.html, accessed on Sep. 17, 2012.

(Continued)

Primary Examiner — Derrick Holland

(74) *Attorney, Agent, or Firm* — Davidson Law Firm; Robert E. Fahr, Jr.

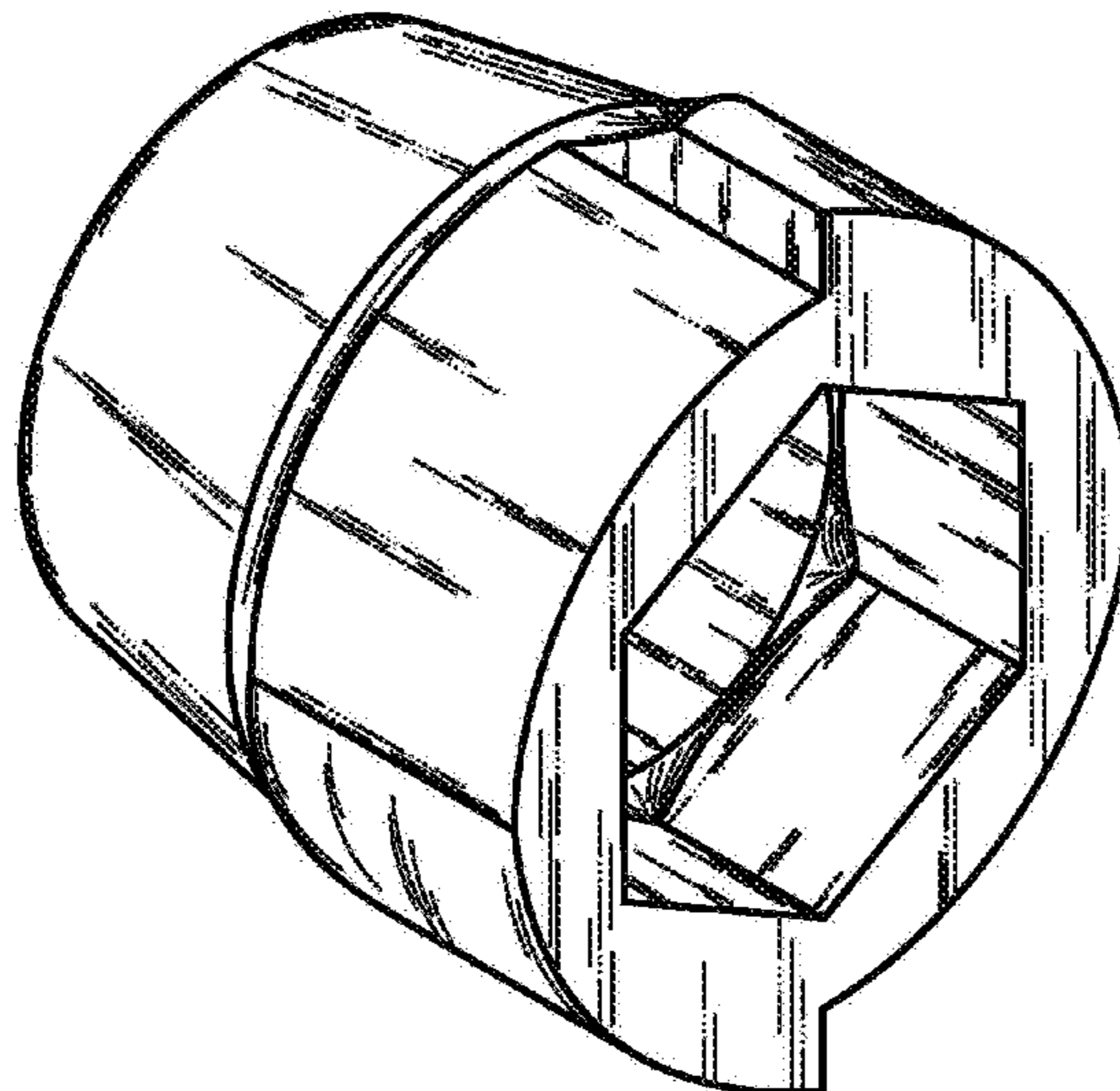
(57) **CLAIM**

The ornamental design for a sealing connector boot with mandrel grip, as shown and described.

DESCRIPTION

FIG. 1 is a front isometric view of a sealing connector boot with mandrel grip showing my new design; FIG. 2 is a rear isometric view thereof; FIG. 3 is a top plan view thereof; FIG. 4 is a bottom plan view thereof; FIG. 5 is a left side elevational view thereof; FIG. 6 is a right side elevational view thereof; FIG. 7 is a rear elevational view thereof; and, FIG. 8 is a front elevational view thereof.

1 Claim, 4 Drawing Sheets



(56)

References Cited

U.S. PATENT DOCUMENTS

7,632,141 B2 12/2009 Malak
7,717,725 B2 5/2010 Montena
7,838,775 B2 11/2010 Montena
D631,848 S 2/2011 Montena
7,938,662 B2 5/2011 Burris
7,946,199 B2 5/2011 Bradley
D642,538 S 8/2011 Montena
D642,539 S 8/2011 Montena
D642,988 S 8/2011 Montena
D642,989 S 8/2011 Montena
D642,990 S 8/2011 Montena
D643,372 S 8/2011 Montena
7,997,930 B2 8/2011 Ehret
8,016,605 B2 9/2011 Montena
8,016,612 B2 9/2011 Burris
D646,227 S 10/2011 Natoli
D646,228 S 10/2011 Montena
D646,230 S 10/2011 Natoli
8,029,315 B2 10/2011 Purdy

8,029,316 B2 10/2011 Snyder
8,062,045 B2 11/2011 Montena
8,062,064 B2 11/2011 Rodrigues
8,087,949 B2 1/2012 Palinkas
D656,101 S 3/2012 Montena
D659,101 S 5/2012 Montena
D659,103 S 5/2012 Natoli
D659,104 S 5/2012 Montena
8,172,611 B1 5/2012 Montena
8,206,169 B2 6/2012 Palinkas
8,221,161 B2 7/2012 Leibfried
2004/0194585 A1 10/2004 Clark
2005/0176294 A1 8/2005 Montena
2012/0003869 A1 1/2012 Ehret

OTHER PUBLICATIONS

Cable Prep, Cable Prep Wing Dings, www.otsecure.net/weeks/Tools/Drop/Torque%20Wrenches/Cable%20Prep%20Wing%20Dings.pdf, accessed on Aug. 2, 2012.

* cited by examiner

Fig. 1

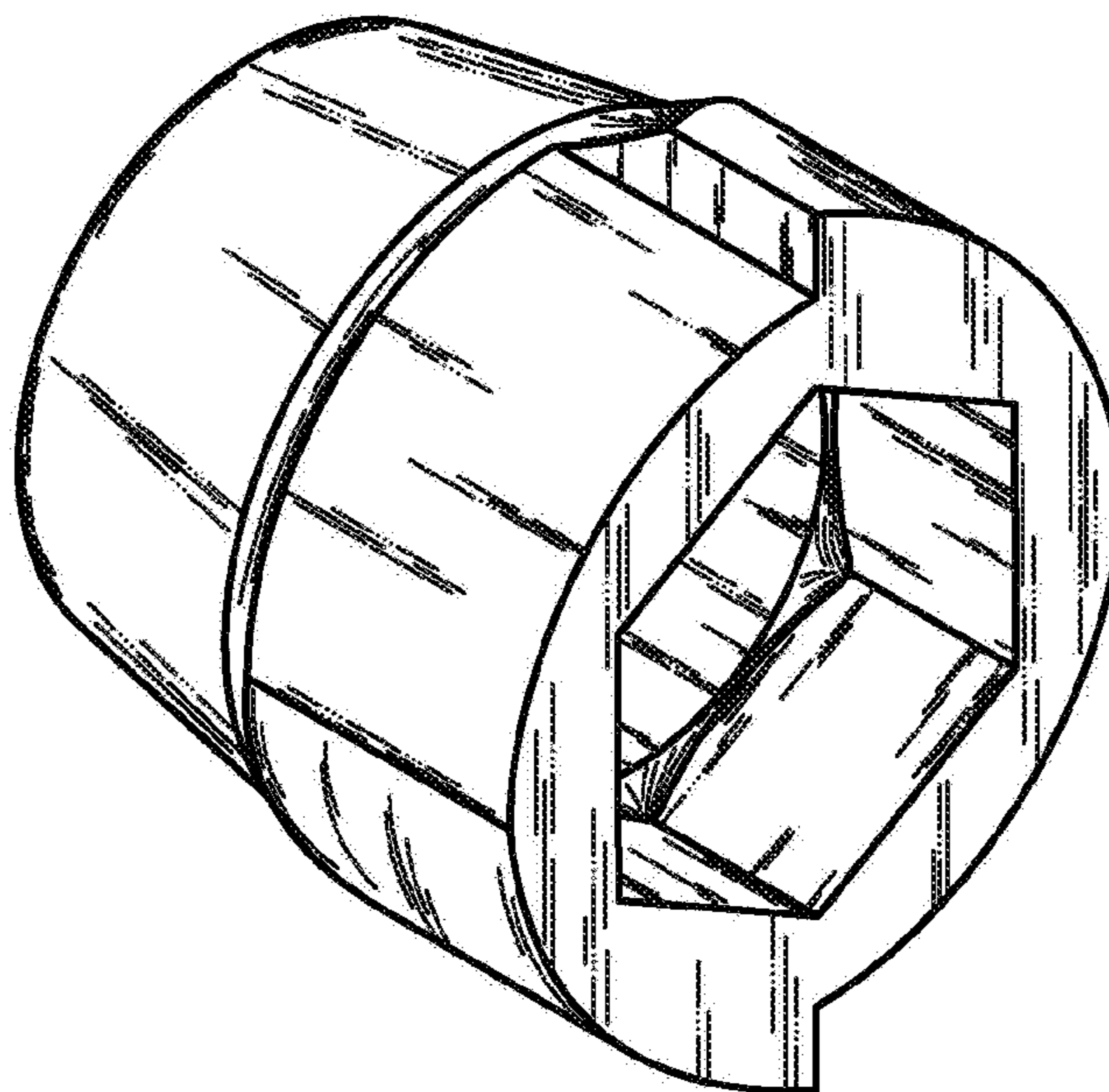


Fig. 2

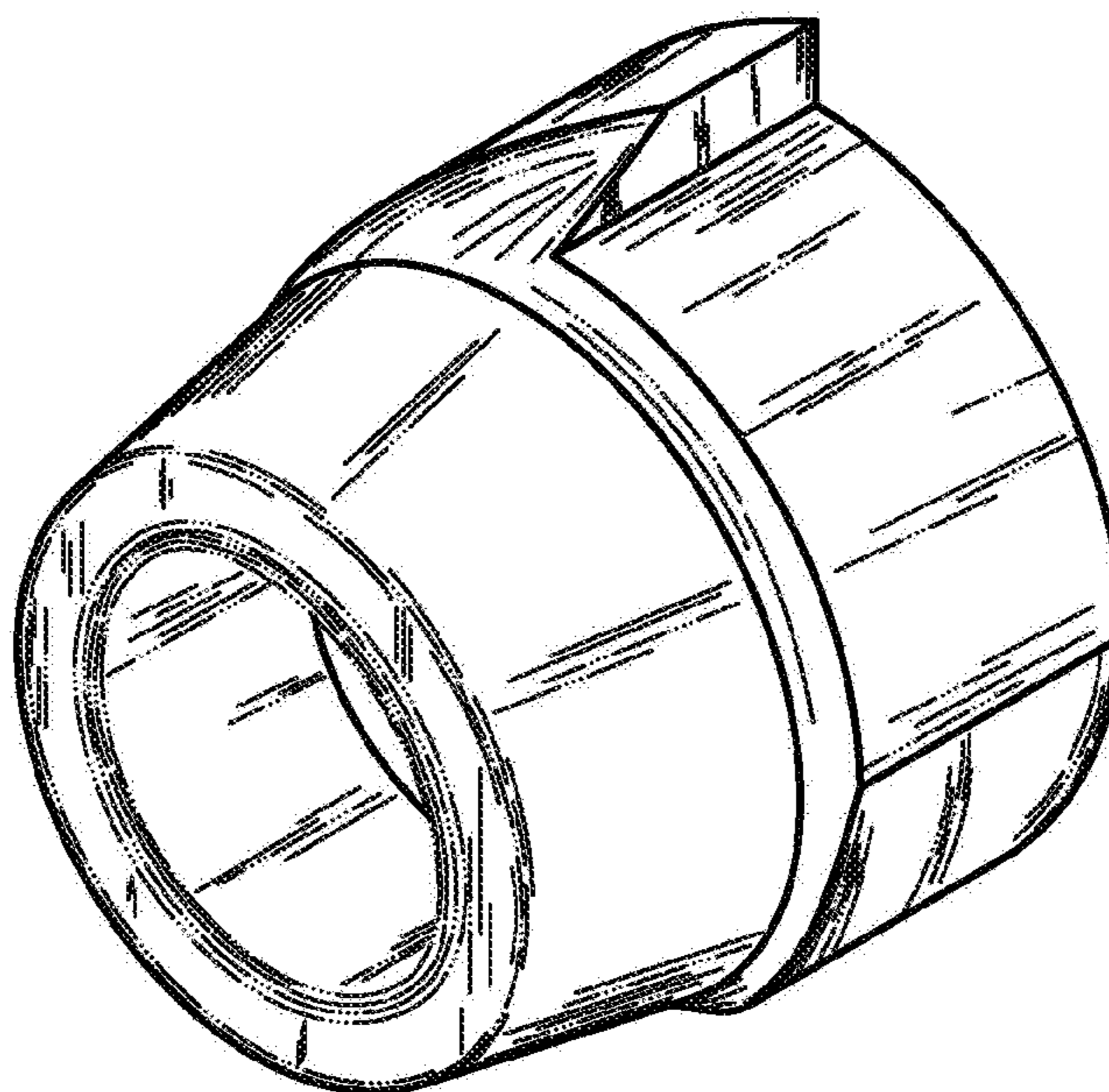


Fig. 3

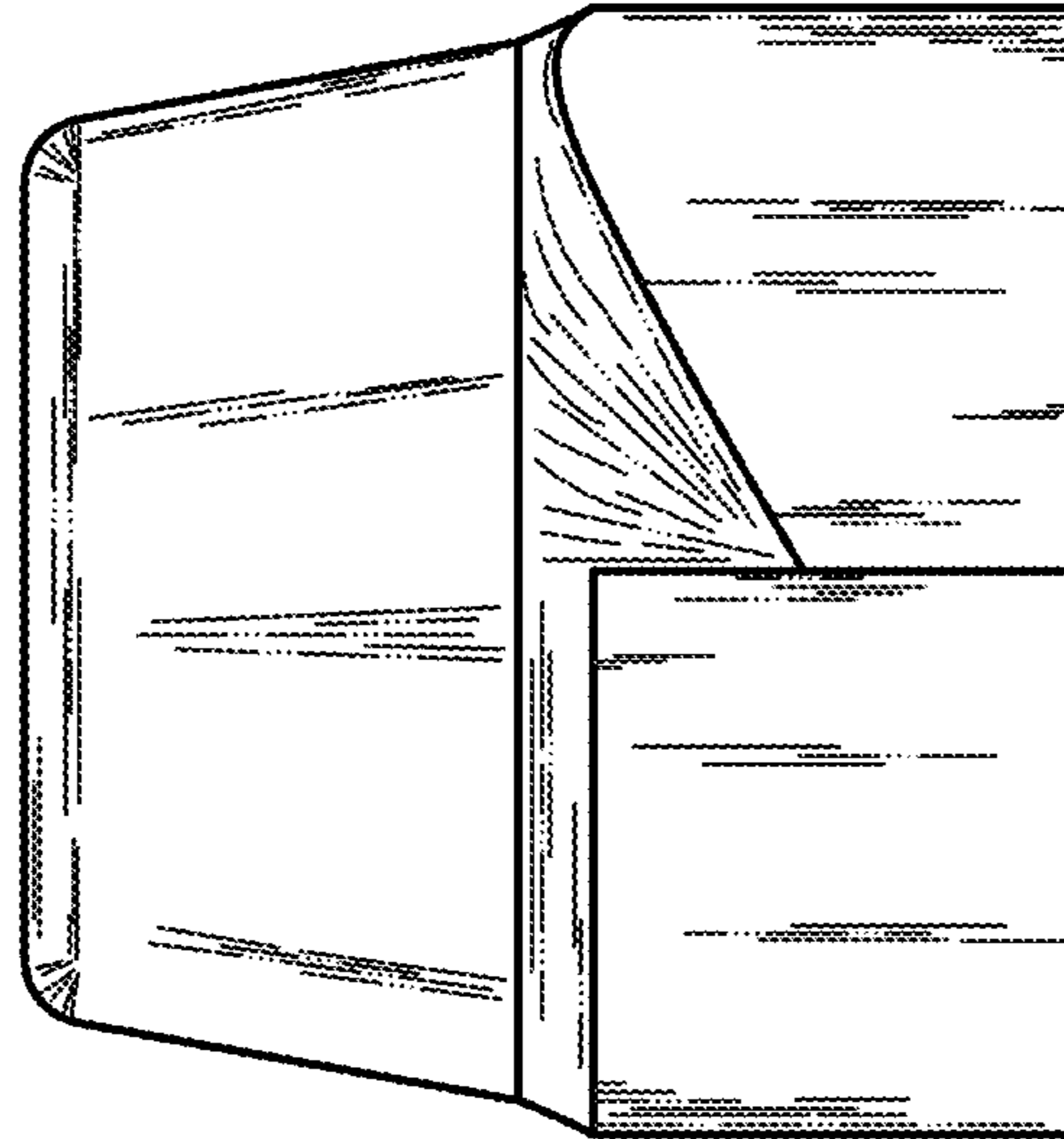


Fig. 4

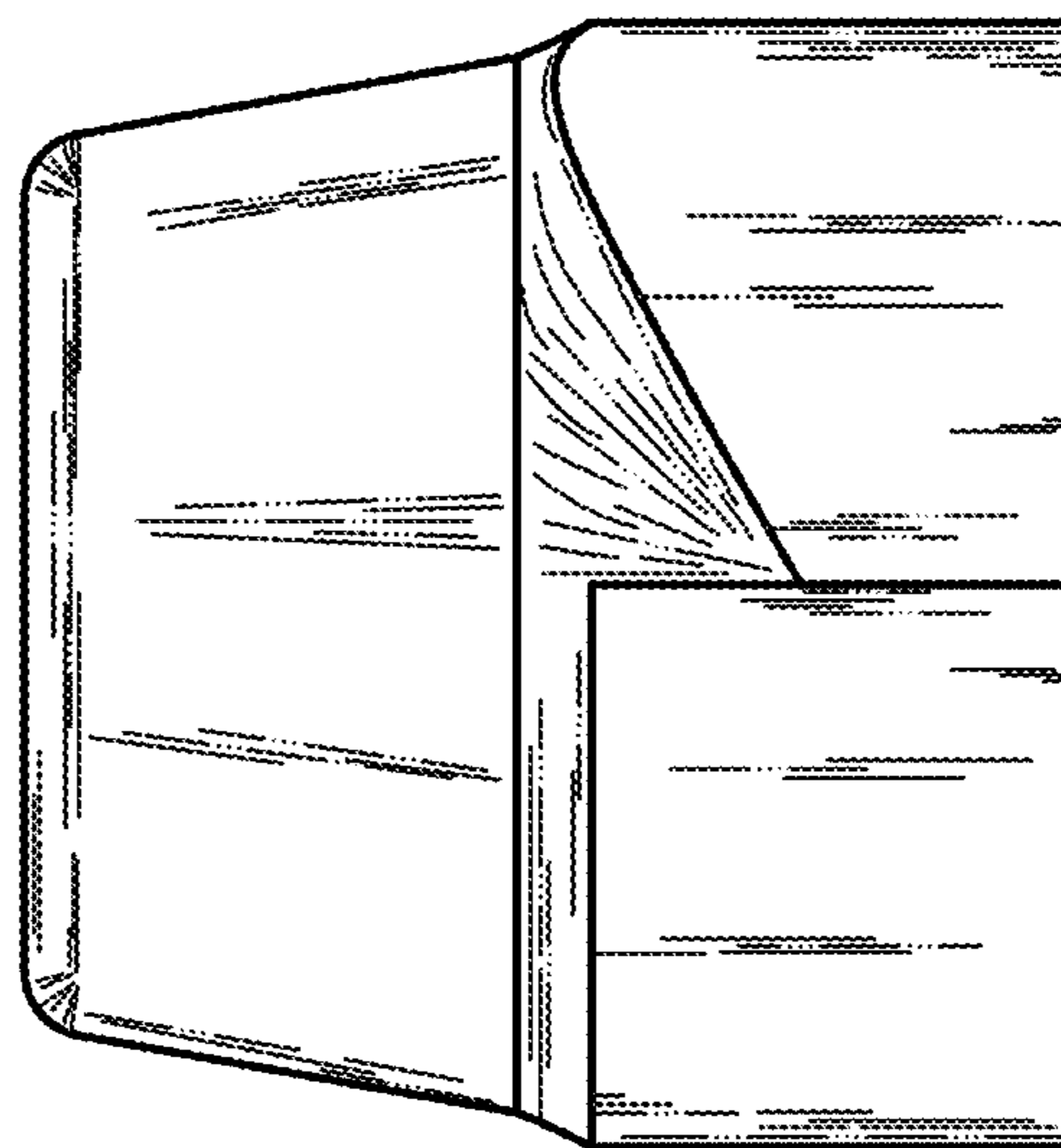


Fig. 5

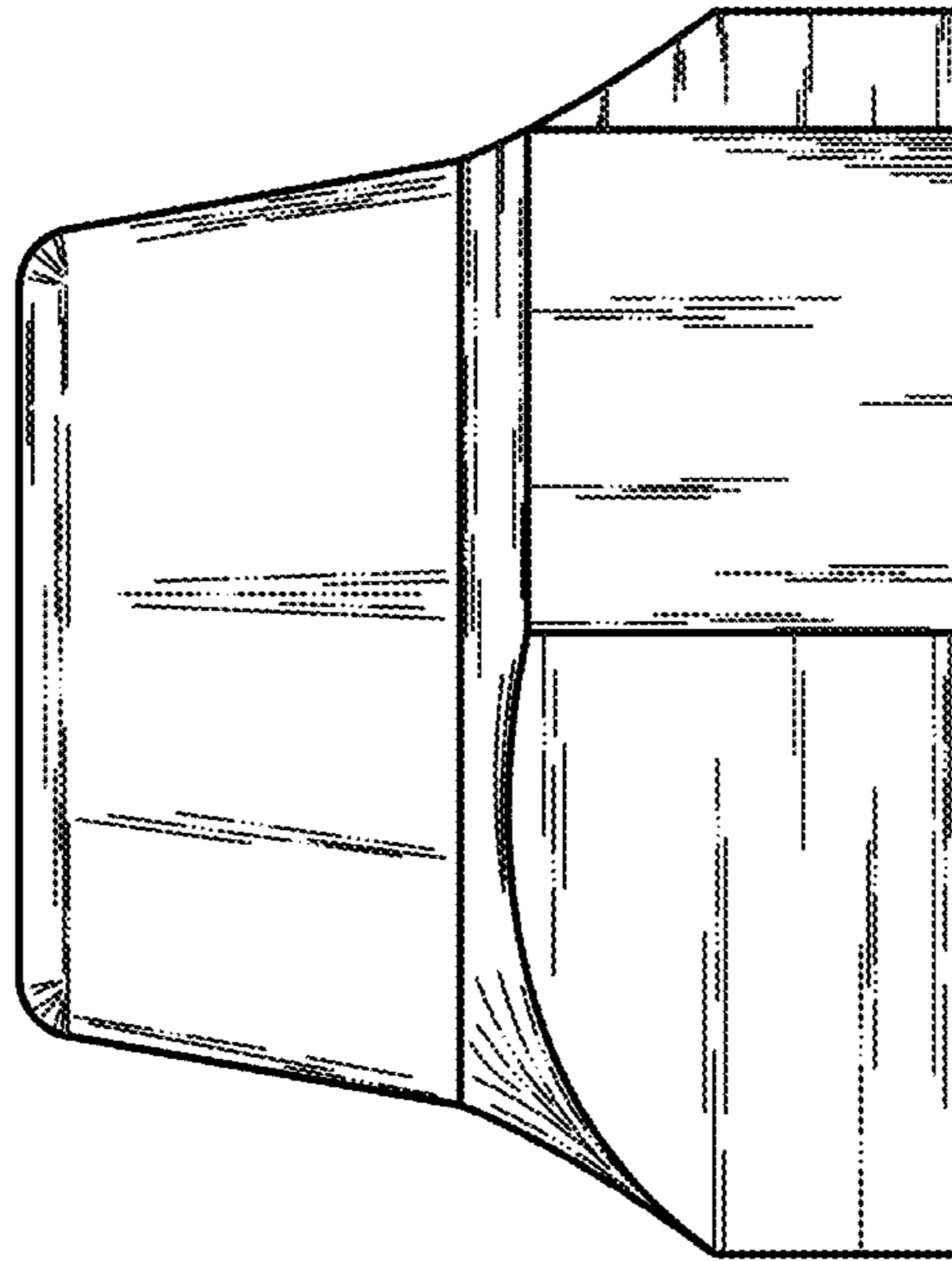


Fig. 6

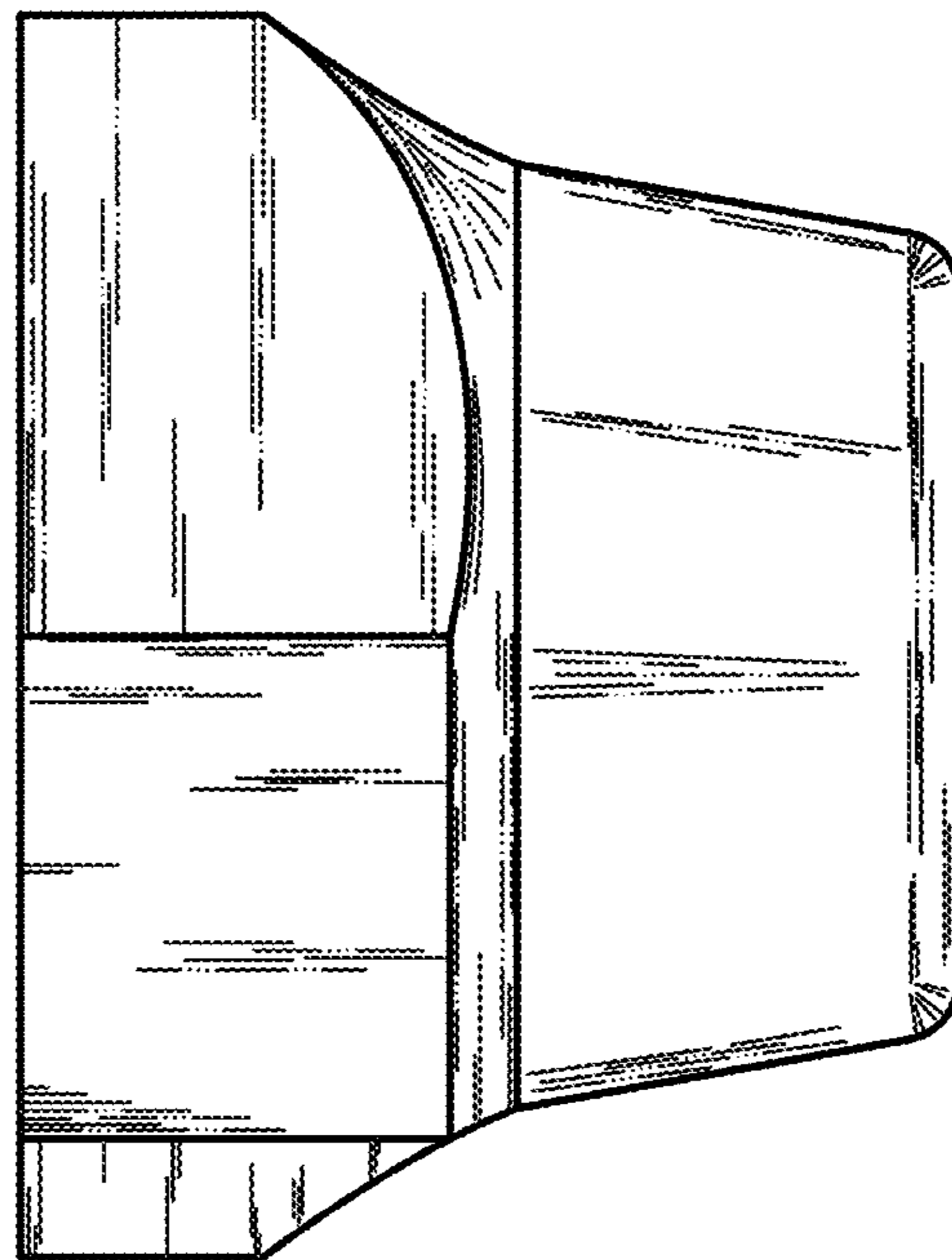


Fig. 7

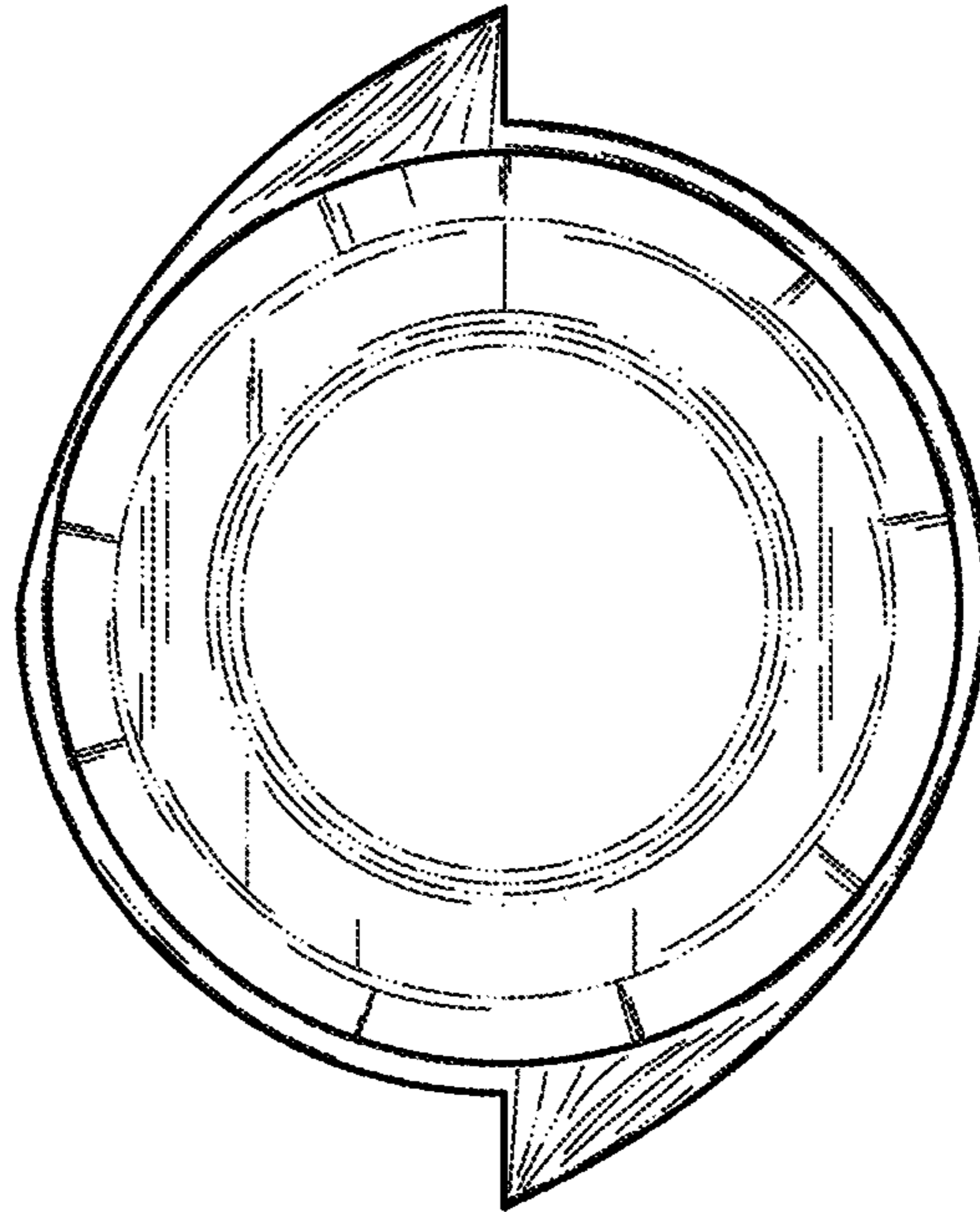


Fig. 8

