

US00D695694S

(12) **United States Design Patent**
Millevik

(10) **Patent No.:** **US D695,694 S**

(45) **Date of Patent:** **** Dec. 17, 2013**

(54) **CABLE AND PIPE PENETRATION SEAL**

(71) Applicant: **Roxtec AB**, Karlskrona (SE)

(72) Inventor: **Bo Millevik**, Karlskrona (SE)

(73) Assignee: **Roxtec AB**, Karlskrona (SE)

(**) Term: **14 Years**

(21) Appl. No.: **29/457,009**

(22) Filed: **Jun. 6, 2013**

Related U.S. Application Data

(62) Division of application No. 29/401,344, filed on Sep. 11, 2011.

(51) **LOC (9) Cl.** **13-03**

(52) **U.S. Cl.**
USPC **D13/155**

(58) **Field of Classification Search**
USPC D13/133, 129, 132, 128, 155, 156, 160,
D13/162, 163, 173, 177, 184, 199; D8/356,
D8/396; 174/74 R, 72 C, 75 C, 77 R, 377,
174/382, 386, 521, 524, 60; 248/49, 55, 65,
248/69, 73, 74.3, 74.4; 24/279, 356; 52/219
See application file for complete search history.

(56) **References Cited**

U.S. PATENT DOCUMENTS

2,849,027	A	8/1958	Tetyak	
3,460,788	A	8/1969	Goldman	
4,270,250	A	6/1981	Schon	
4,323,088	A	4/1982	McClellan	
D289,138	S *	4/1987	Nead	D8/356
H000379	H	12/1987	Alexander, Jr.	
4,840,194	A	6/1989	Berry	
4,919,372	A	4/1990	Twist et al.	
5,220,710	A *	6/1993	Laudan et al.	24/279

5,732,180	A	3/1998	Kaplan	
5,736,672	A	4/1998	Huang	
5,795,634	A	8/1998	Fukui	
5,960,602	A *	10/1999	Goss et al.	52/404.4
6,107,571	A	8/2000	Damm	
6,561,466	B1	5/2003	Myers et al.	
6,561,723	B2 *	5/2003	McCurdy et al.	403/312
6,627,817	B1 *	9/2003	Kortenbach	174/74 R
7,010,889	B1 *	3/2006	Renfro	52/219
7,178,203	B2	2/2007	Pearson et al.	
7,278,190	B2 *	10/2007	Fischer et al.	24/530
7,411,128	B2	8/2008	Drotleff et al.	
7,446,267	B2	11/2008	Hedstrom	
D590,022	S	4/2009	Misumi	
7,621,487	B2 *	11/2009	Brown et al.	248/65
7,790,252	B2	9/2010	Nematollahi	
8,074,945	B2 *	12/2011	Schoenau et al.	248/74.4
2009/0026324	A1	1/2009	Hensley et al.	
2010/0108825	A1	5/2010	Brock	
2011/0248453	A1 *	10/2011	Johansson et al.	277/602

* cited by examiner

Primary Examiner — Derrick Holland

Assistant Examiner — Lauren Calve

(74) *Attorney, Agent, or Firm* — Harness, Dickey & Pierce, P.L.C.

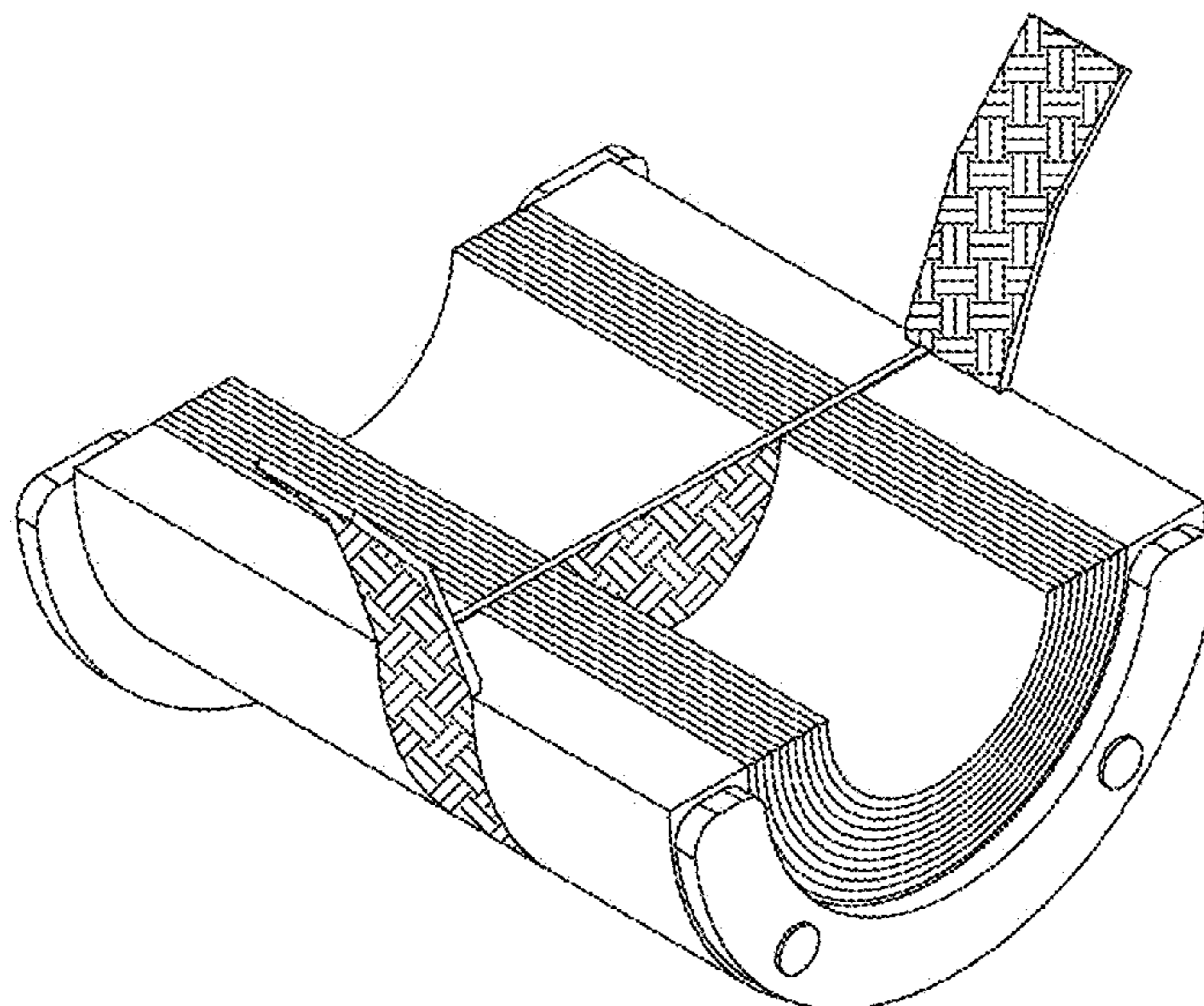
(57) **CLAIM**

The ornamental design for a cable and pipe penetration seal, as shown and described.

DESCRIPTION

FIG. 1 is top perspective view of a cable and pipe penetration seal showing my new design;
FIG. 2 is a first end view thereof;
FIG. 3 is a first side elevational top view thereof;
FIG. 4 is a second end view thereof;
FIG. 5 is a second side elevational view thereof;
FIG. 6 is a top view thereof; and,
FIG. 7 is a bottom perspective view thereof.

1 Claim, 7 Drawing Sheets



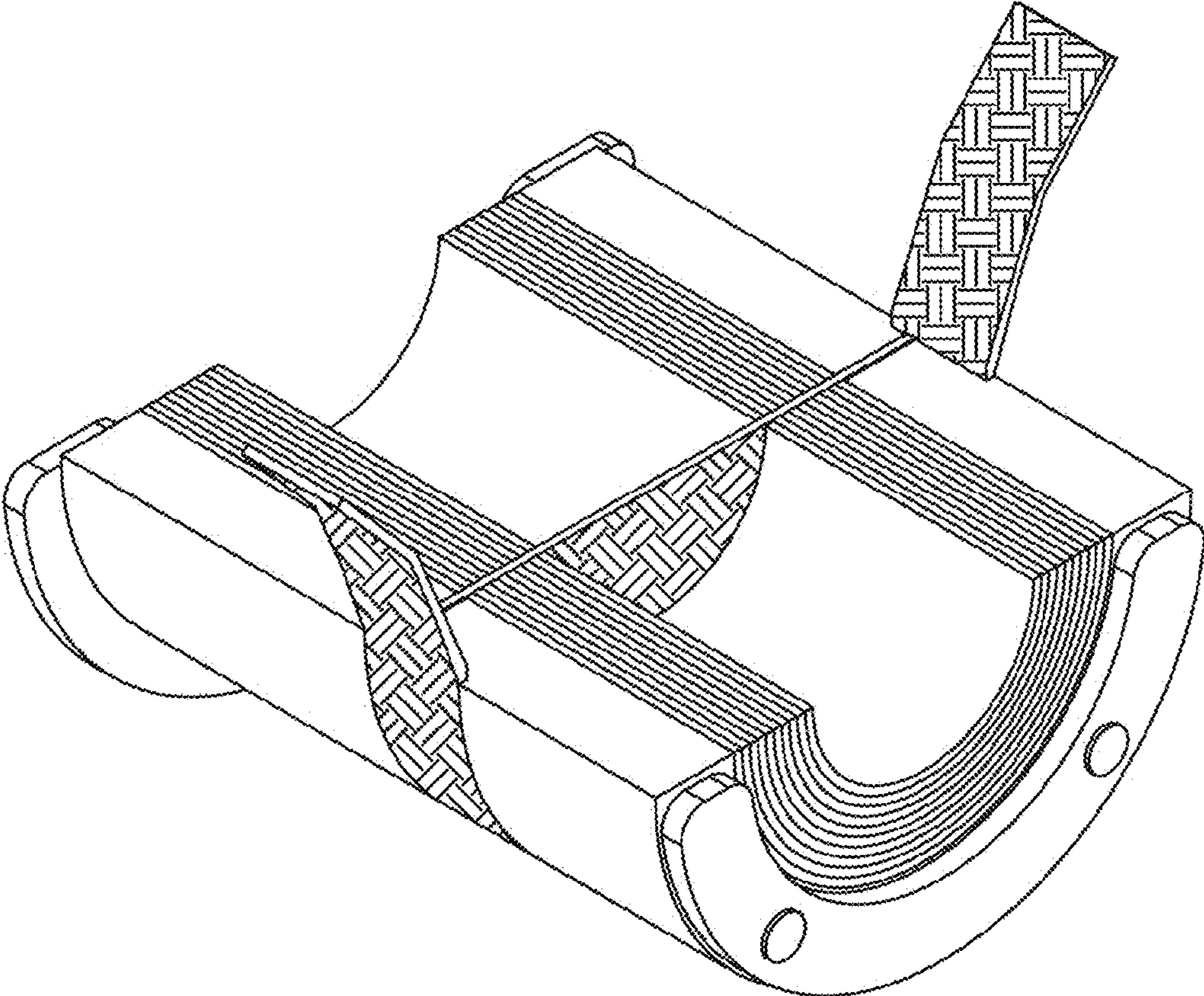


FIG. 1

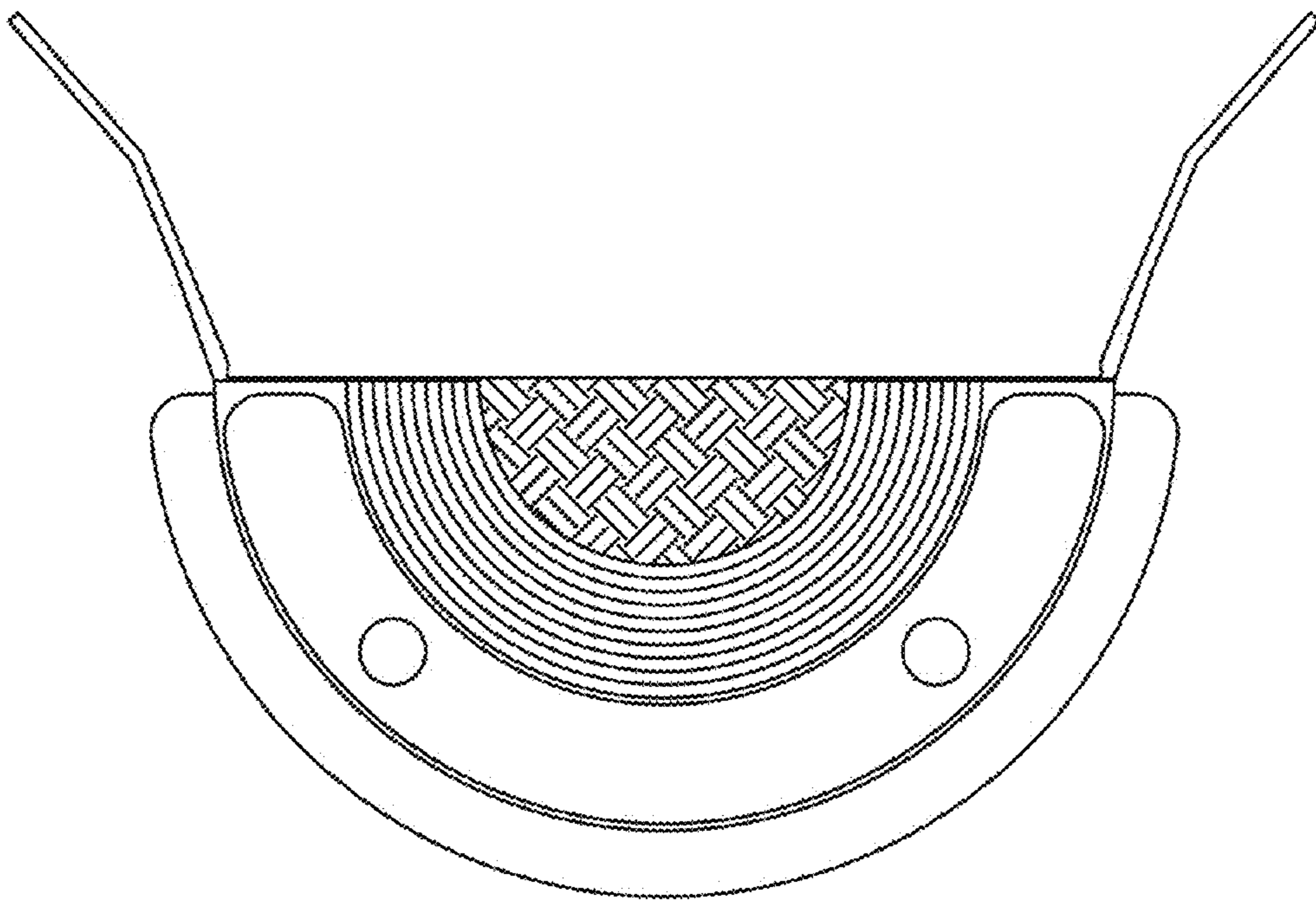


FIG. 2

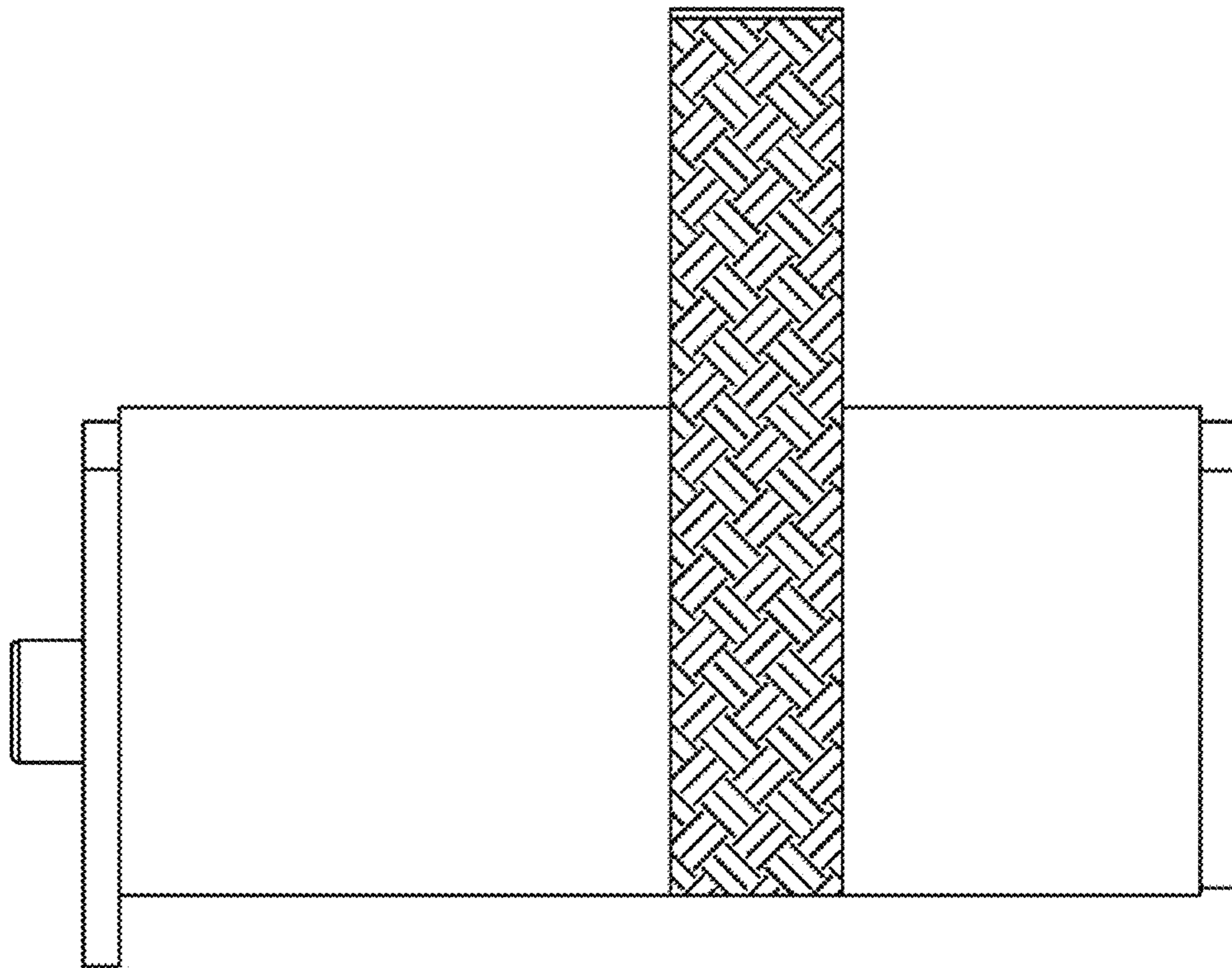


FIG. 3

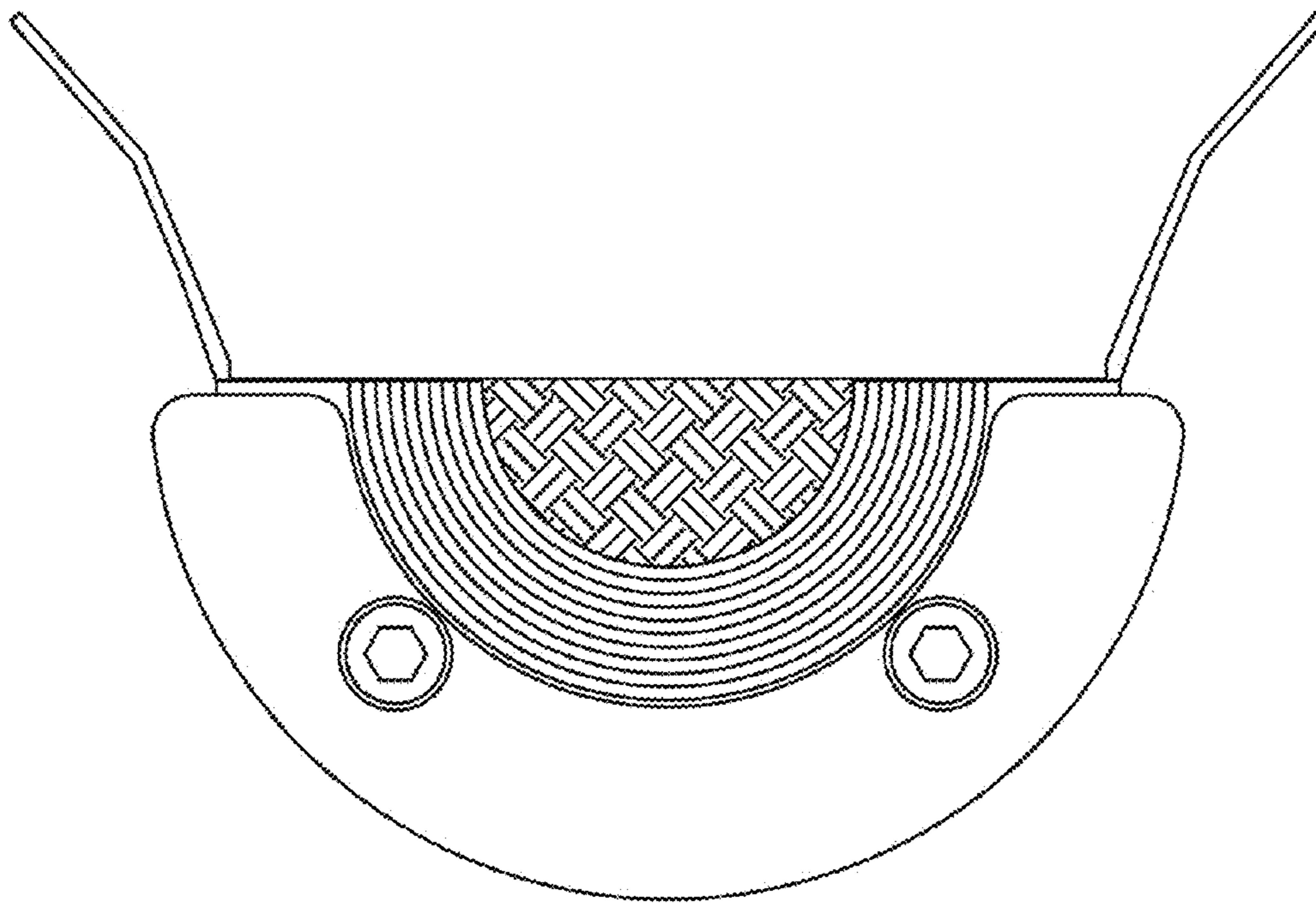


FIG. 4

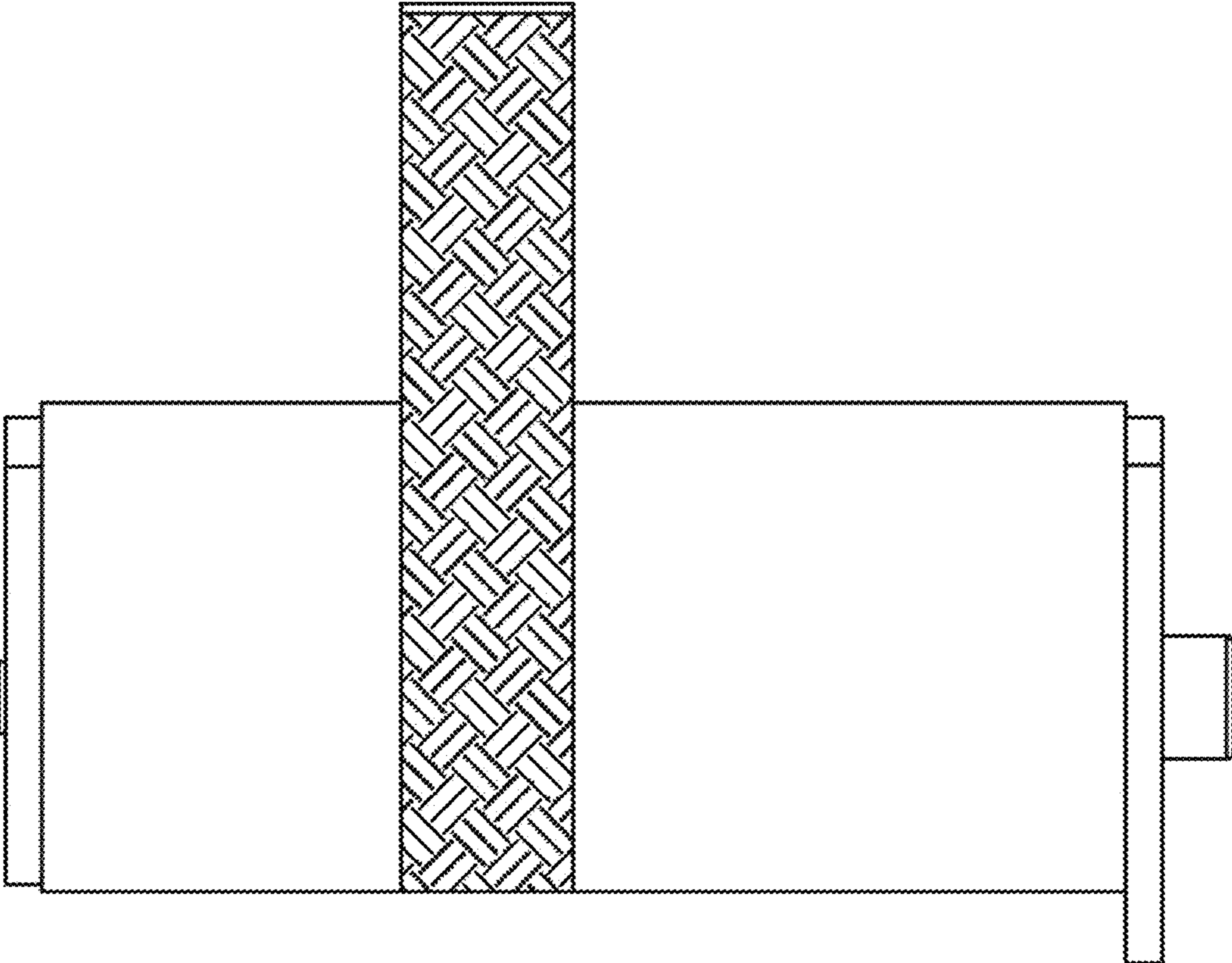


FIG. 5

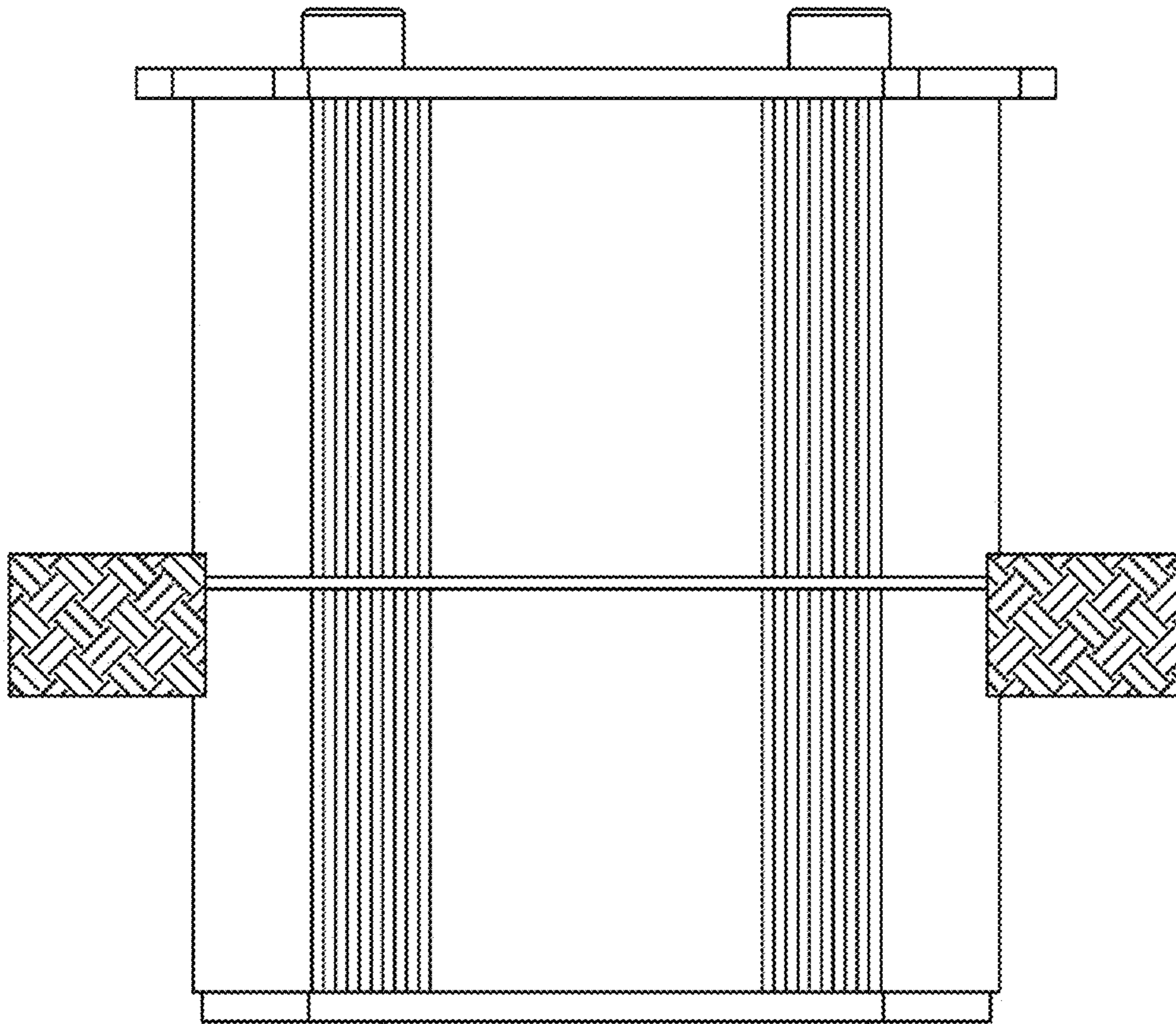


FIG. 6

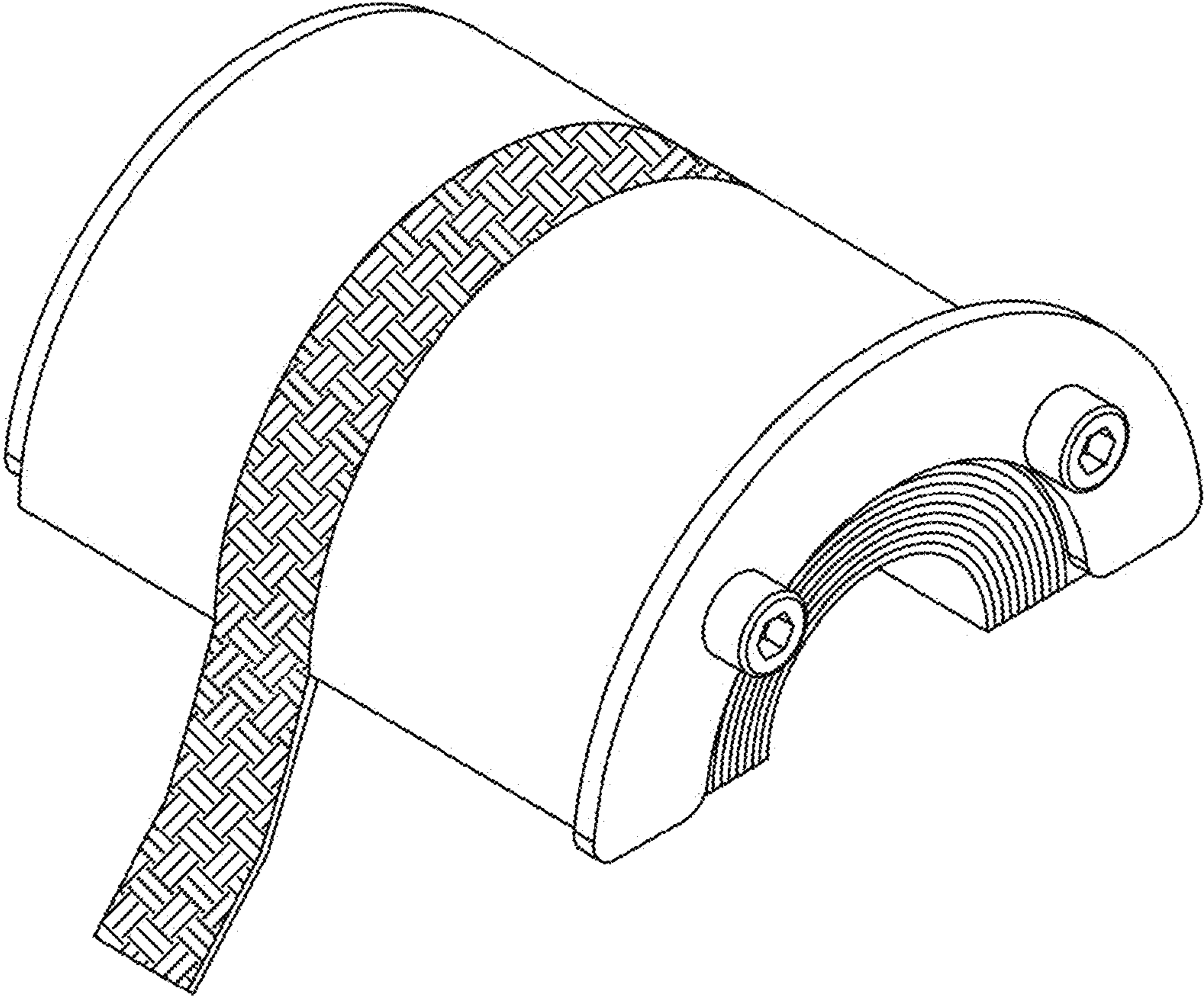


FIG. 7