

US00D695691S

(12) **United States Design Patent**
Kobuchi et al.

(10) **Patent No.:** **US D695,691 S**

(45) **Date of Patent:** **** Dec. 17, 2013**

(54) **ELECTRICAL CONNECTOR**

(71) Applicant: **Japan Aviation Electronics Industry, Limited**, Tokyo (JP)

(72) Inventors: **Toshiro Kobuchi**, Tokyo (JP); **Takayuki Nishimura**, Tokyo (JP); **Hiroaki Obikane**, Tokyo (JP)

(73) Assignee: **Japan Aviation Electronics Industry, Limited**, Tokyo (JP)

(**) Term: **14 Years**

(21) Appl. No.: **29/460,057**

(22) Filed: **Jul. 8, 2013**

(30) **Foreign Application Priority Data**

Jan. 29, 2013 (JP) 2013-001621

(51) **LOC (9) Cl.** **13-03**

(52) **U.S. Cl.**
USPC **D13/147**

(58) **Field of Classification Search**
USPC D13/120, 133, 147, 154, 184, 199;
439/78-79, 83, 108, 181, 607.01,
439/607.04, 607.05, 607.17, 607.25,
439/607.34, 74, 607.41, 607.53, 630, 660

See application file for complete search history.

(56) **References Cited**

U.S. PATENT DOCUMENTS

D603,798 S *	11/2009	Obikane et al.	D13/147
D603,801 S	11/2009	Obikane et al.	
D642,535 S *	8/2011	Sato et al.	D13/147
D642,986 S	8/2011	Nishimura et al.	
D683,317 S *	5/2013	Nishimura et al.	D13/147
D684,120 S *	6/2013	Miyazaki et al.	D13/147
D687,383 S *	8/2013	Miyazaki et al.	D13/147
D688,210 S *	8/2013	Mashiyama et al.	D13/147

* cited by examiner

Primary Examiner — Daniel Bui

(74) *Attorney, Agent, or Firm* — Cermak Nakajima LLP;
Tomoko Nakajima

(57) **CLAIM**

The ornamental design for an electrical connector, as shown.

DESCRIPTION

FIG. 1 is a front elevational view of an electrical connector showing our new design;

FIG. 2 is a top plan view thereof;

FIG. 3 is a right side elevational view thereof;

FIG. 4 is a left side elevational view thereof;

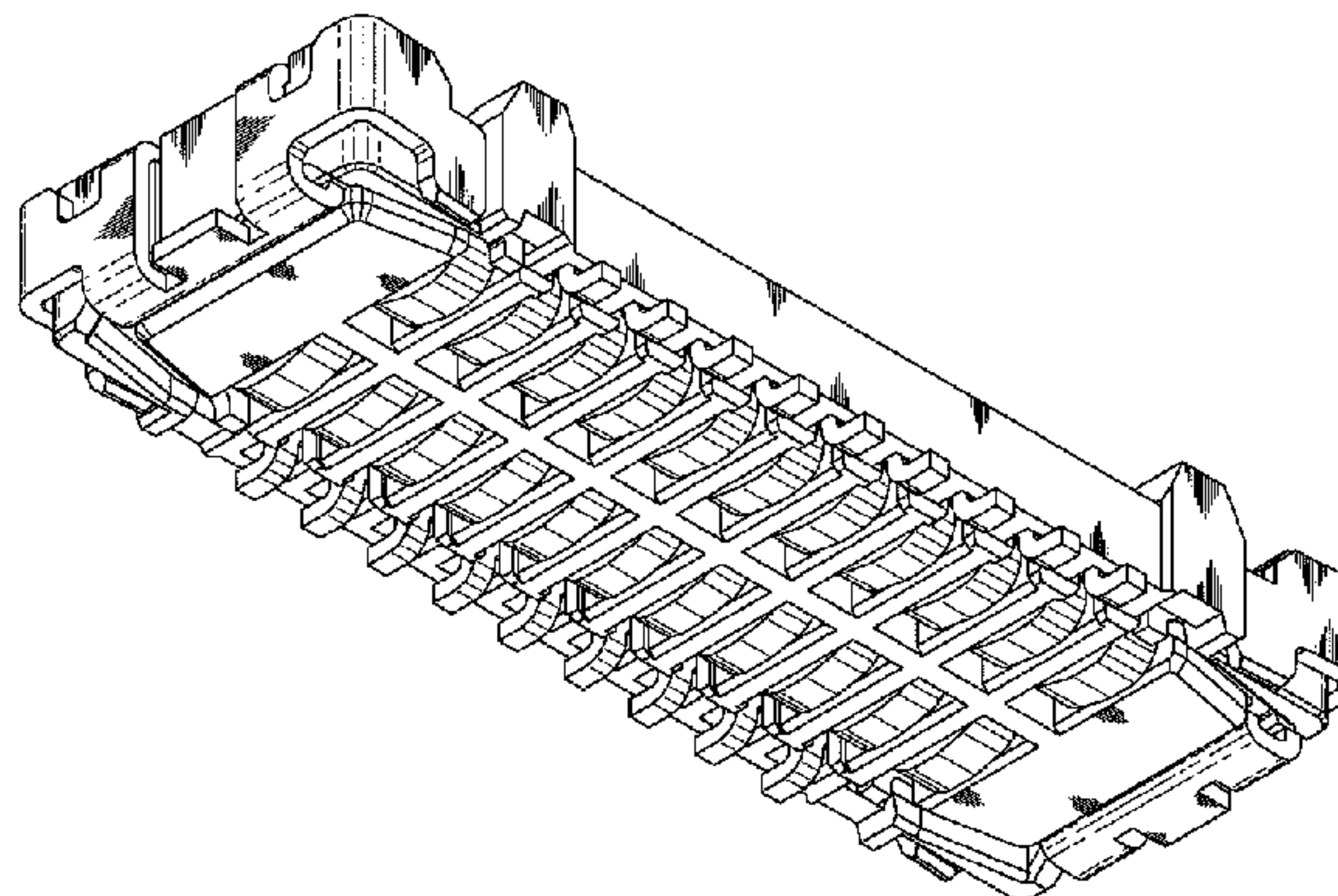
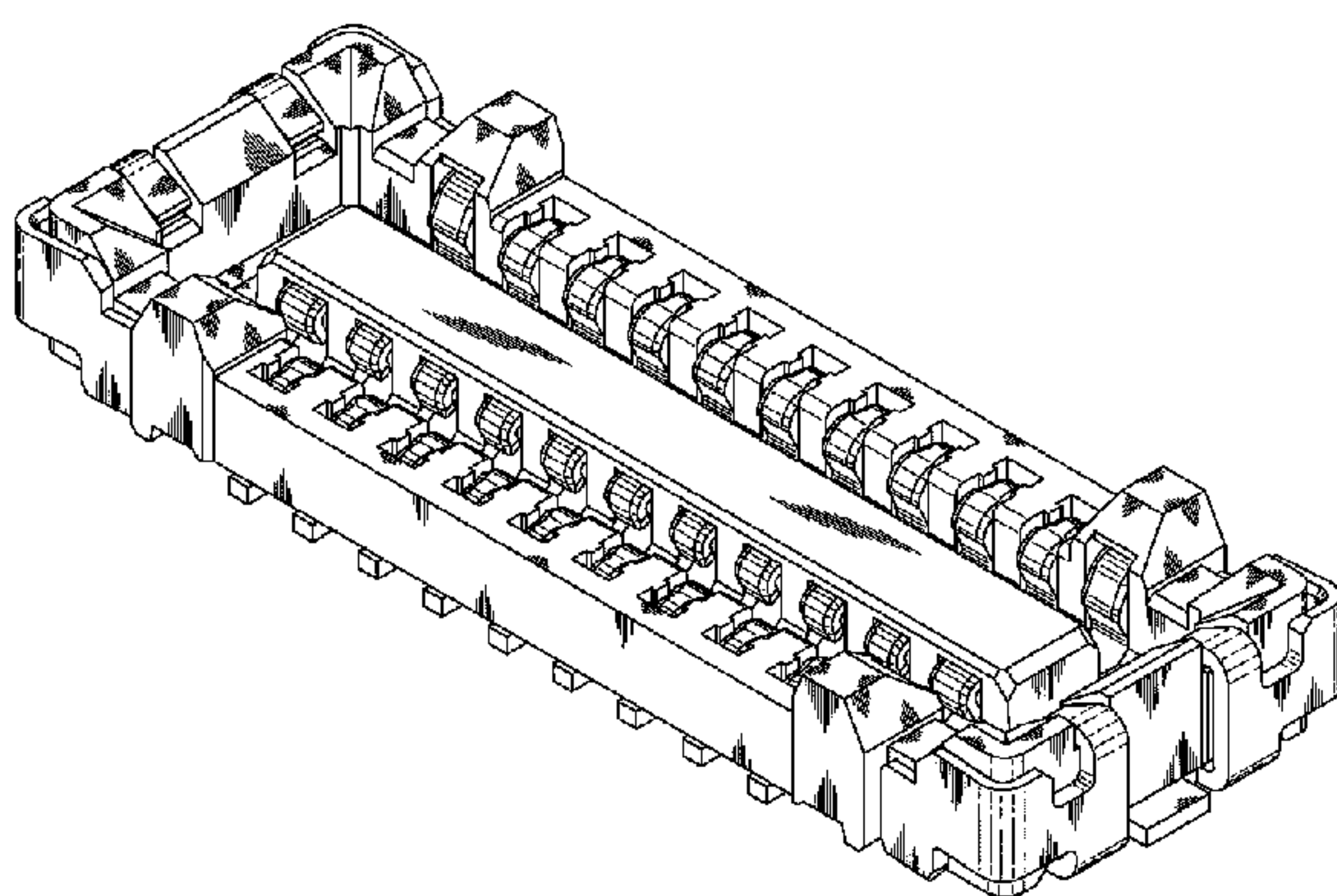
FIG. 5 is a rear elevational view thereof; and

FIG. 6 is a bottom plan view thereof.

FIG. 7 is a top perspective view thereof; and,

FIG. 8 is a bottom perspective view thereof.

1 Claim, 8 Drawing Sheets



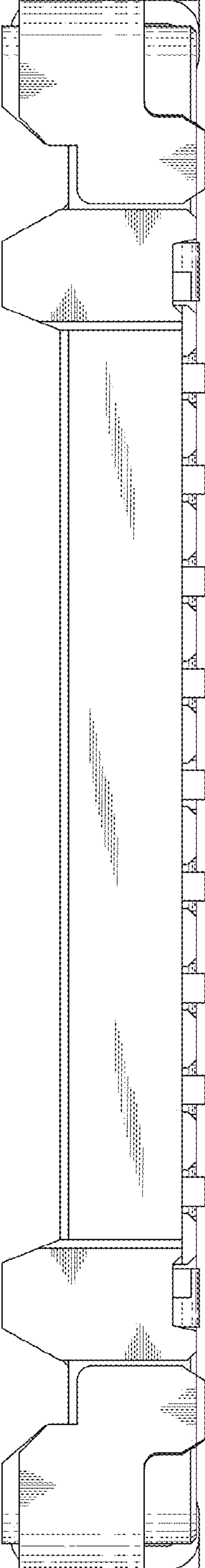


FIG.1

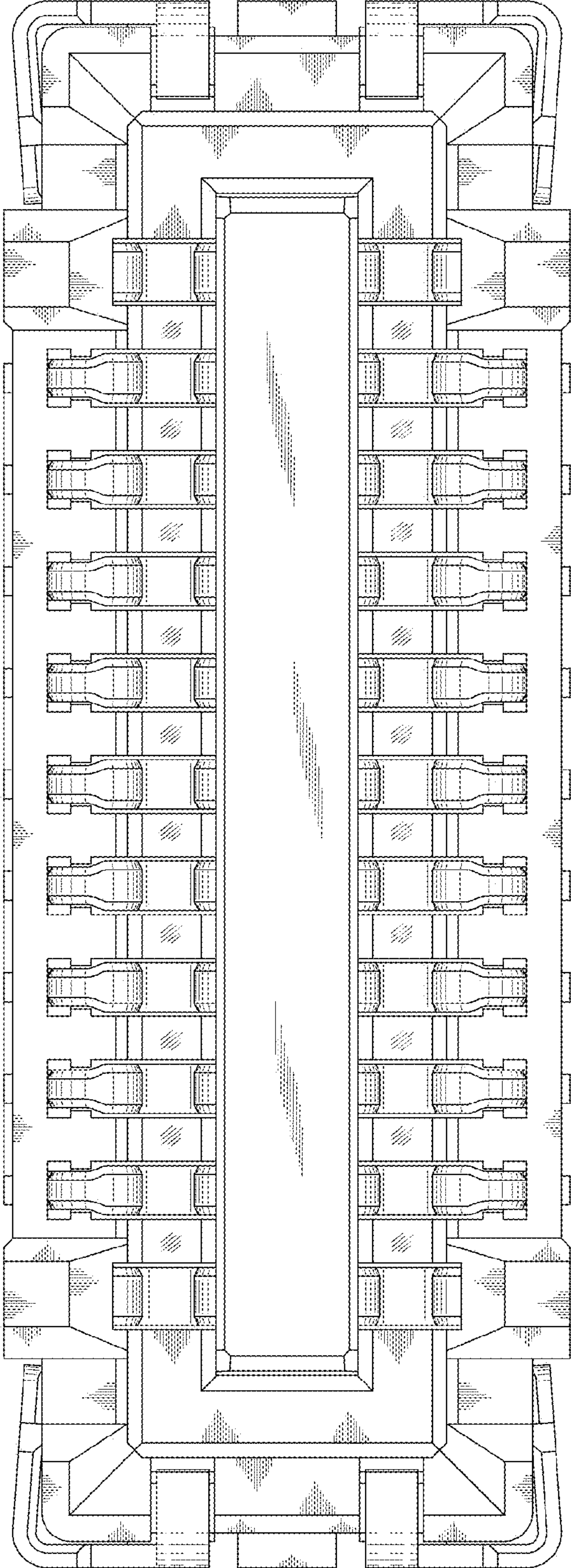


FIG.2

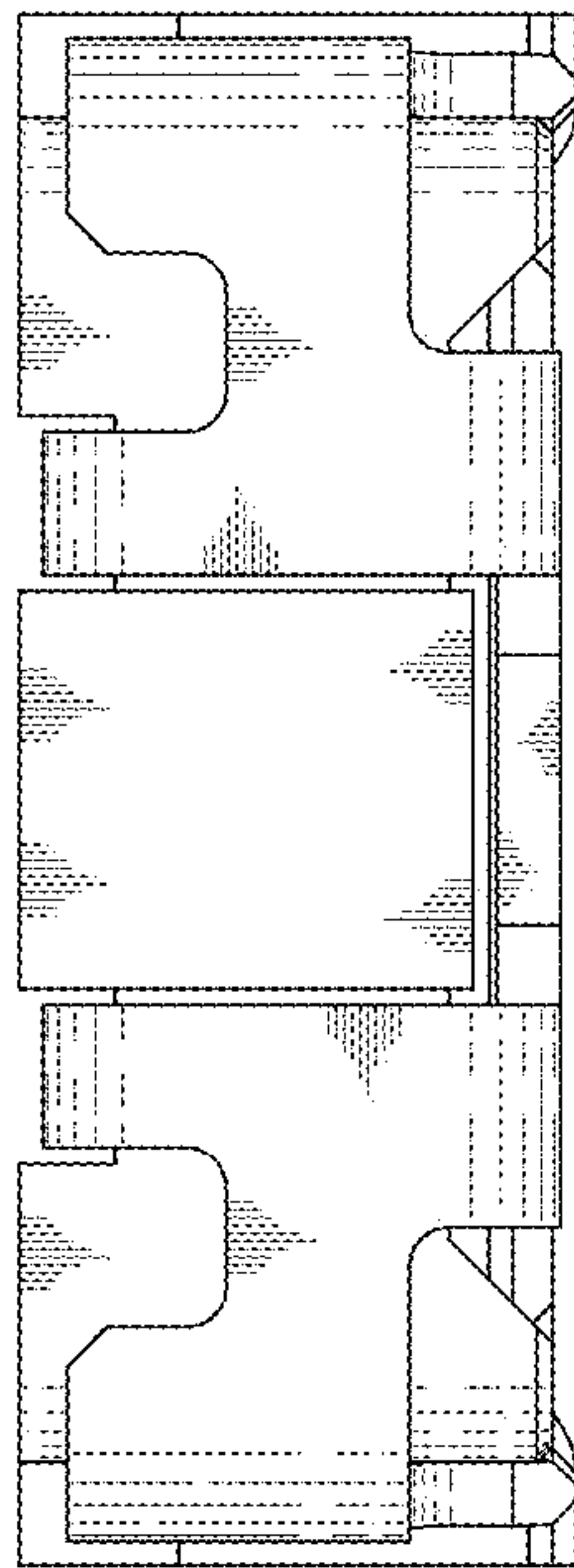


FIG. 3

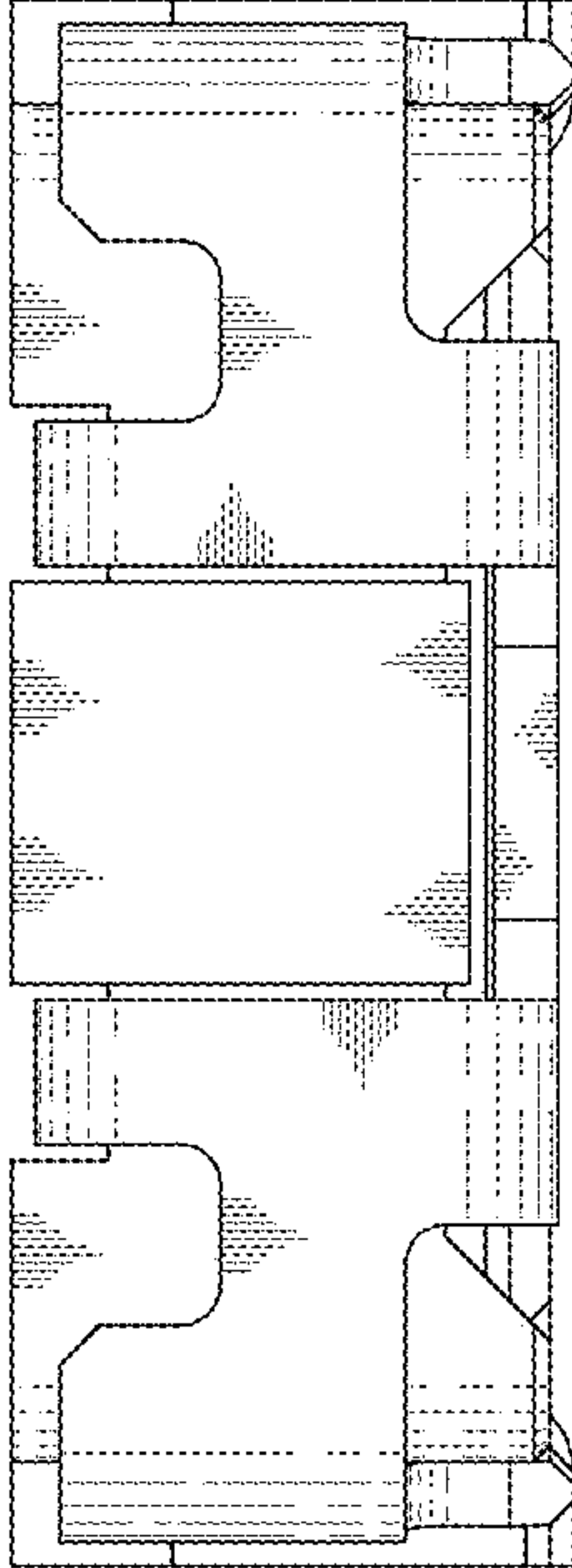


FIG.4

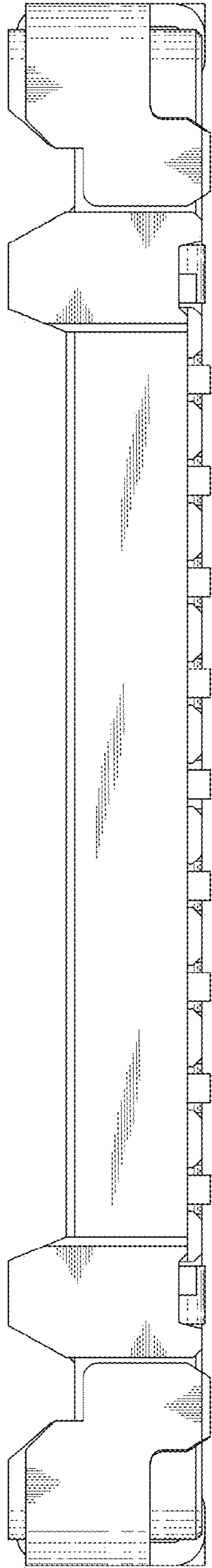


FIG.5

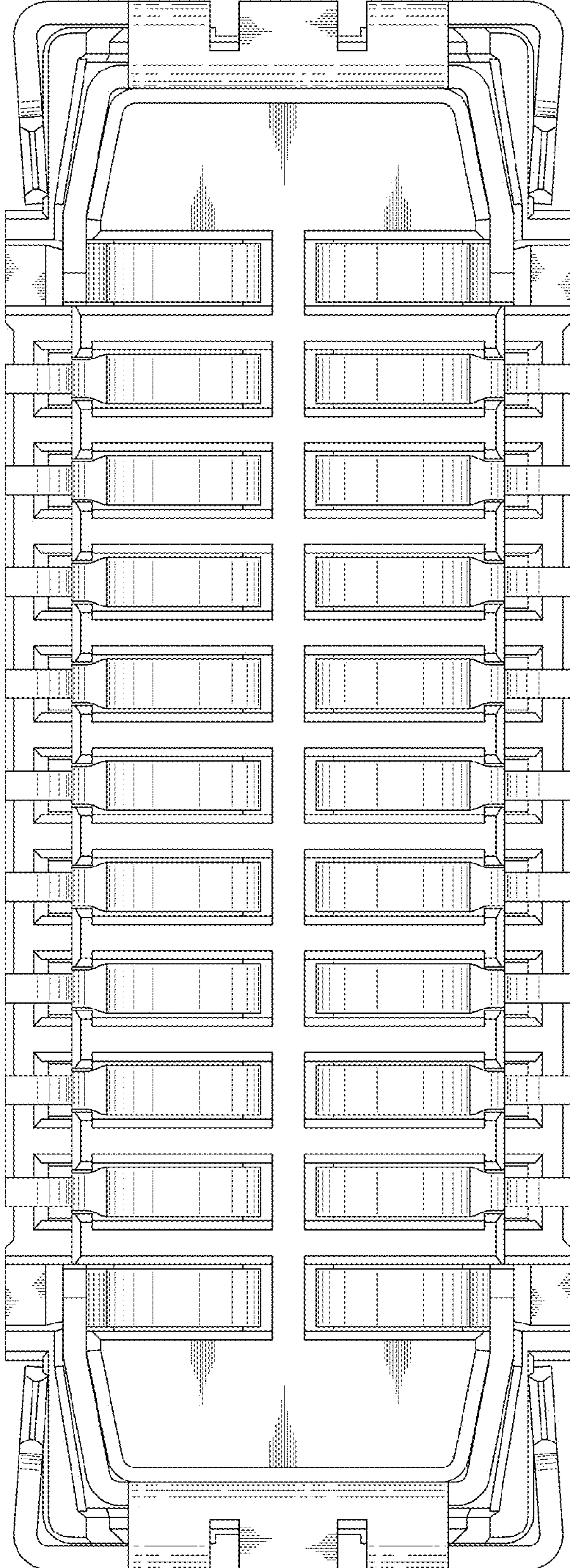


FIG.6

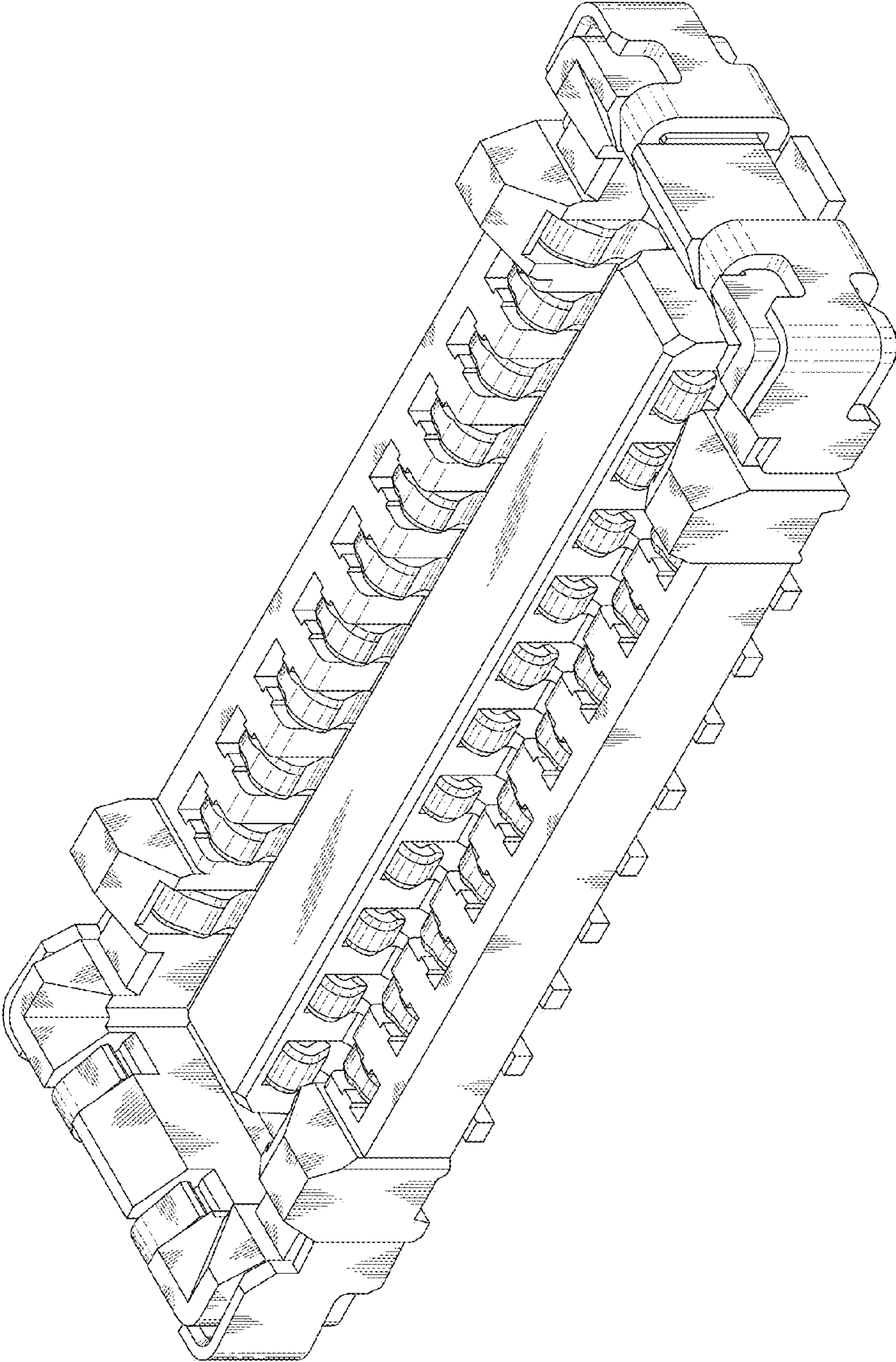


FIG.7

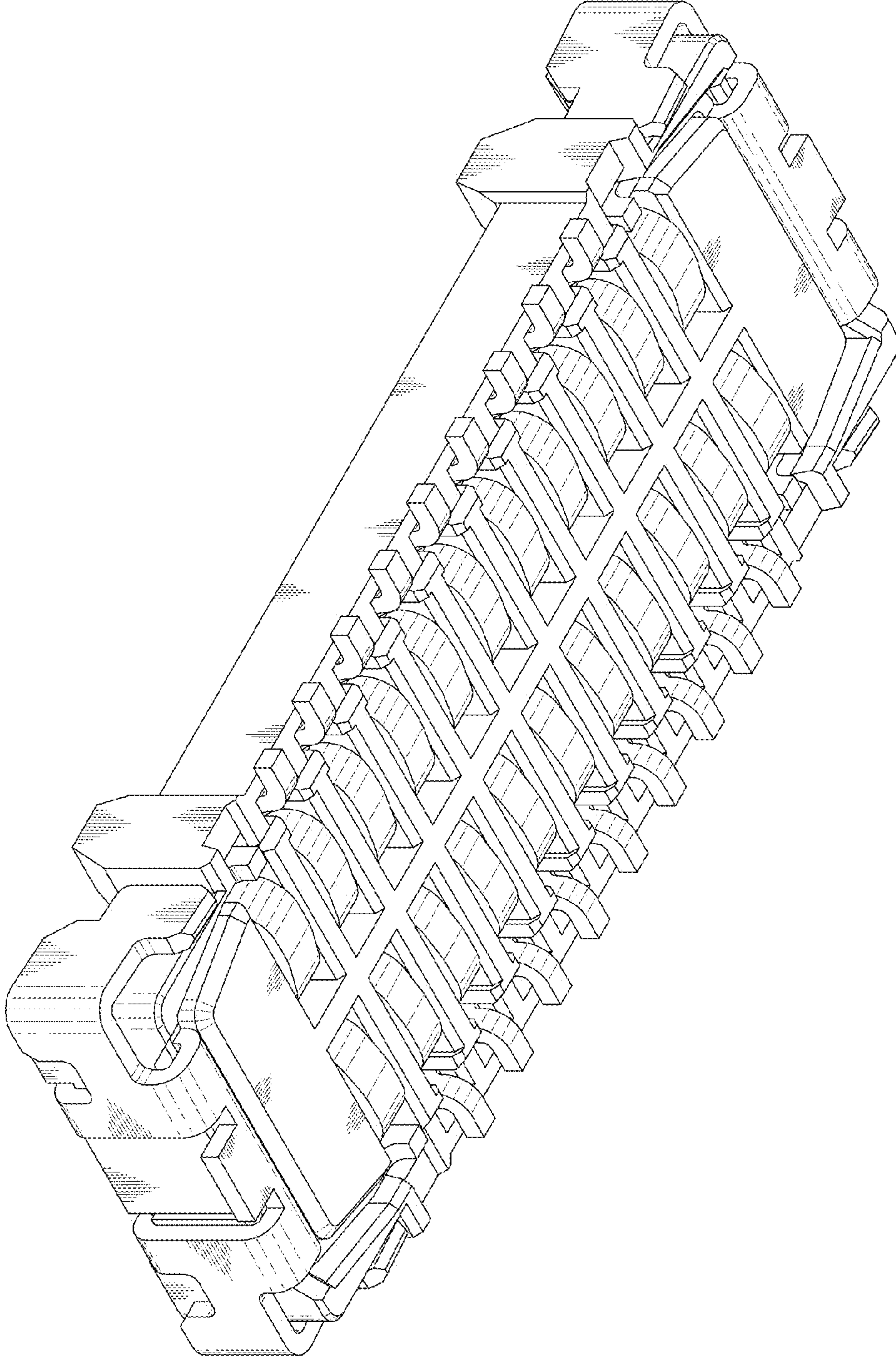


FIG. 8