



US00D695689S

(12) **United States Design Patent**  
**Yoshisuji**

(10) **Patent No.:** **US D695,689 S**  
(45) **Date of Patent:** **\*\* Dec. 17, 2013**

(54) **ELECTRICAL CONNECTOR**

(75) Inventor: **Takashi Yoshisuji**, Machida (JP)  
(73) Assignee: **Dai-Ichi Seiko Co., Ltd.**, Kyoto (JP)  
(\*\*) Term: **14 Years**  
(21) Appl. No.: **29/402,240**  
(22) Filed: **Sep. 22, 2011**

(30) **Foreign Application Priority Data**

Mar. 31, 2011 (JP) ..... 2011-007405  
Jun. 17, 2011 (JP) ..... 2011-013761

(51) **LOC (9) Cl.** ..... **13-03**  
(52) **U.S. Cl.**  
USPC ..... **D13/147**

(58) **Field of Classification Search**  
USPC ..... D13/147, 154, 184, 199; 439/79, 108,  
439/180, 246, 374, 488, 527, 529, 530, 533,  
439/540.1, 541.5, 607.01, 607.04, 607.05,  
439/607.06, 607.17, 607.21, 607.23,  
439/607.25, 607.34, 607.41, 607.53, 660,  
439/668, 676, 680, 883, 891, 892, 894  
See application file for complete search history.

(56) **References Cited**

**U.S. PATENT DOCUMENTS**

D489,335 S \* 5/2004 Ko ..... D13/147  
D502,143 S \* 2/2005 Chiu et al. .... D13/147  
D530,674 S \* 10/2006 Ko ..... D13/147  
D541,750 S \* 5/2007 Yoshikai ..... D13/147  
D598,862 S \* 8/2009 Chen ..... D13/147  
D617,280 S \* 6/2010 Yotsutani ..... D13/147  
D629,759 S \* 12/2010 Hara ..... D13/147  
D647,057 S \* 10/2011 Lee et al. .... D13/147

**FOREIGN PATENT DOCUMENTS**

JP D1199597 3/2004  
JP D1199598 3/2004

**OTHER PUBLICATIONS**

U.S. Appl. No. 29/402,237, filed Sep. 22, 2011, Yoshisuji.  
U.S. Appl. No. 29/402,872, filed Sep. 28, 2011, Yoshisuji.  
U.S. Appl. 13/416,212, filed Mar. 9, 2012, Yoshisuji, et al.

(Continued)

*Primary Examiner* — Daniel Bui

(74) *Attorney, Agent, or Firm* — Oblon, Spivak,  
McClelland, Maier & Neustadt, L.L.P.

(57) **CLAIM**

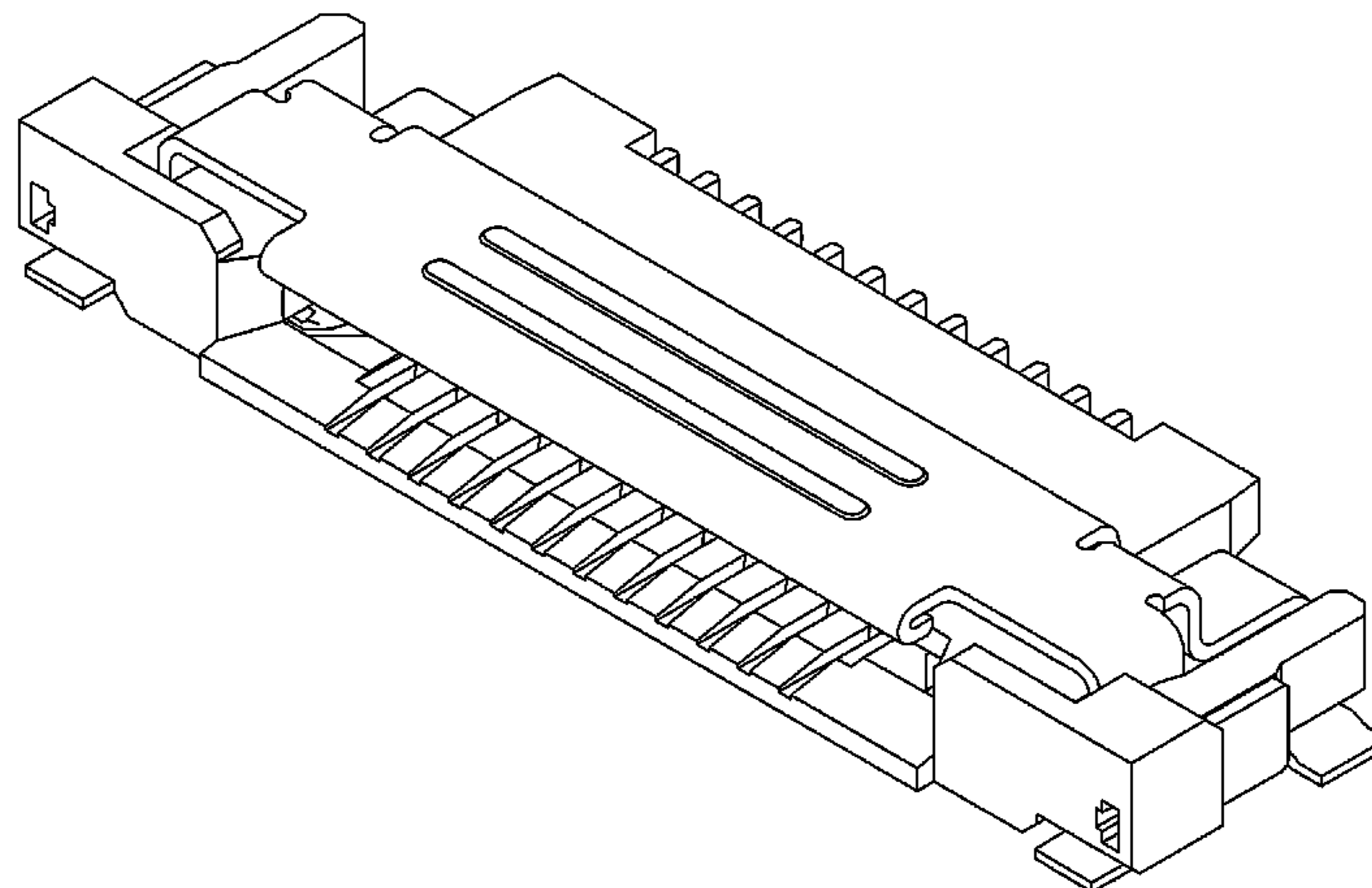
The ornamental design for an electric connector, as shown and described.

**DESCRIPTION**

FIG. 1 is a top plan view of an electric connector of the first embodiment showing my new design;  
FIG. 2 is a front elevational view thereof;  
FIG. 3 is a bottom plan view thereof;  
FIG. 4 is a rear elevational view thereof;  
FIG. 5 is a right side elevational view thereof;  
FIG. 6 is a front, top, and right side perspective view thereof;  
FIG. 7 is a front, bottom, and right side perspective view thereof;  
FIG. 8 is a top plan view of an electric connector of the second embodiment showing our new design;  
FIG. 9 is a front elevational view thereof;  
FIG. 10 is a bottom plan view thereof;  
FIG. 11 is a rear elevational view thereof;  
FIG. 12 is a right side elevational view thereof;  
FIG. 13 is a front, top, and right side perspective view thereof;  
and,  
FIG. 14 is a front, bottom, and right side perspective view thereof.

The broken line in the figure drawings is included for the purpose of illustrating unclaimed environment and forms no part of the claimed design.

**1 Claim, 14 Drawing Sheets**



(56)

**References Cited**

OTHER PUBLICATIONS

U.S. Appl. No. 13/595,147, filed Aug. 27, 2012, Yoshisuji, et al.

U.S. Appl. No. 29/454,279, filed May 8, 2013, Yoshisuji.  
U.S. Appl. No. 29/454,268, filed May 8, 2013, Yoshisuji.  
U.S. Appl. No. 29/447,042, filed Feb. 28, 2013, Yoshisuji.

\* cited by examiner

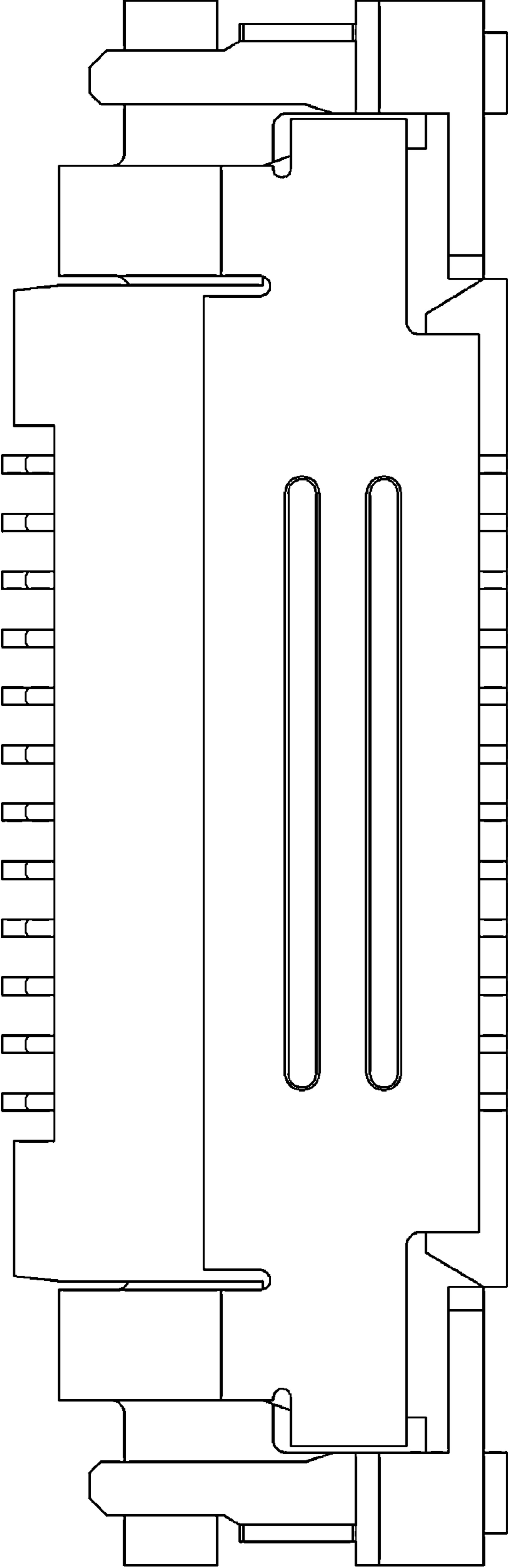


FIG.1

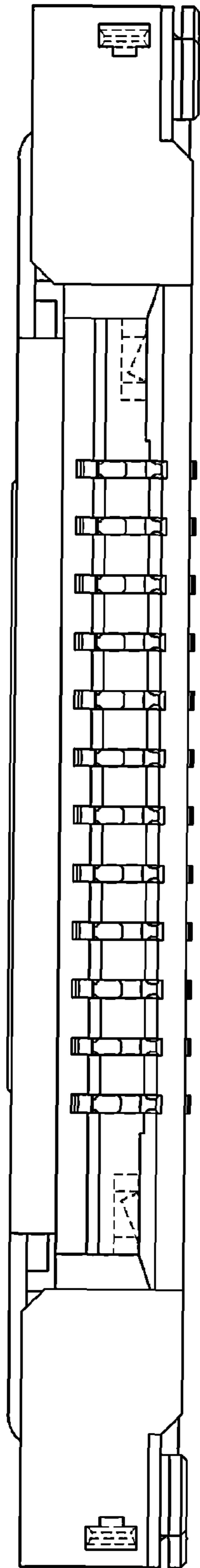


FIG.2

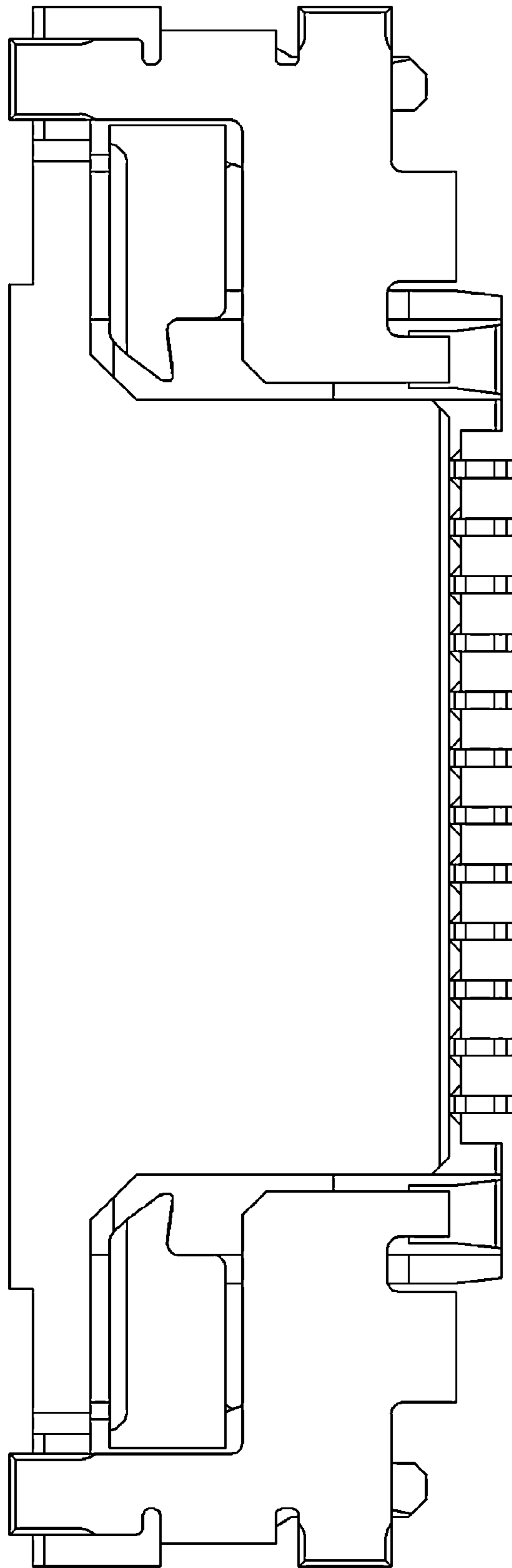


FIG.3

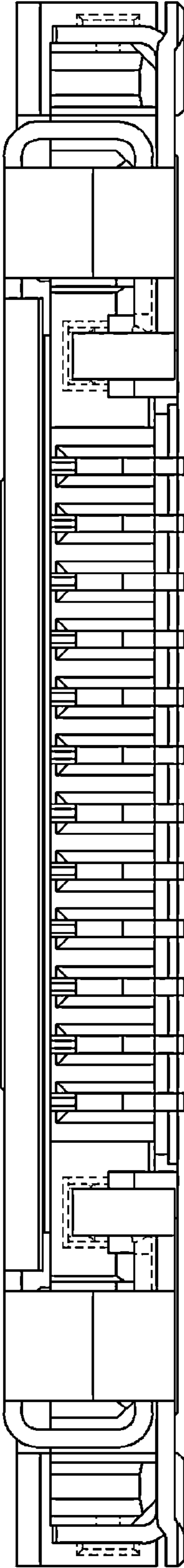


FIG. 4

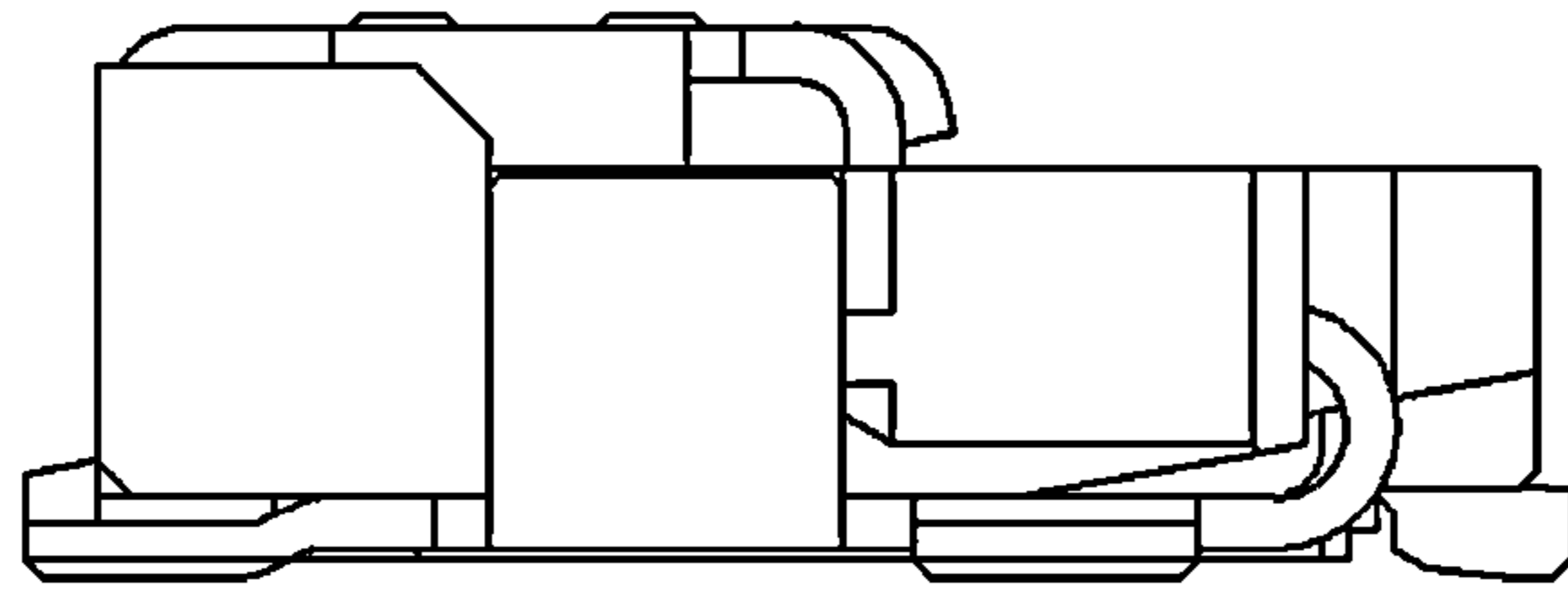


FIG. 5

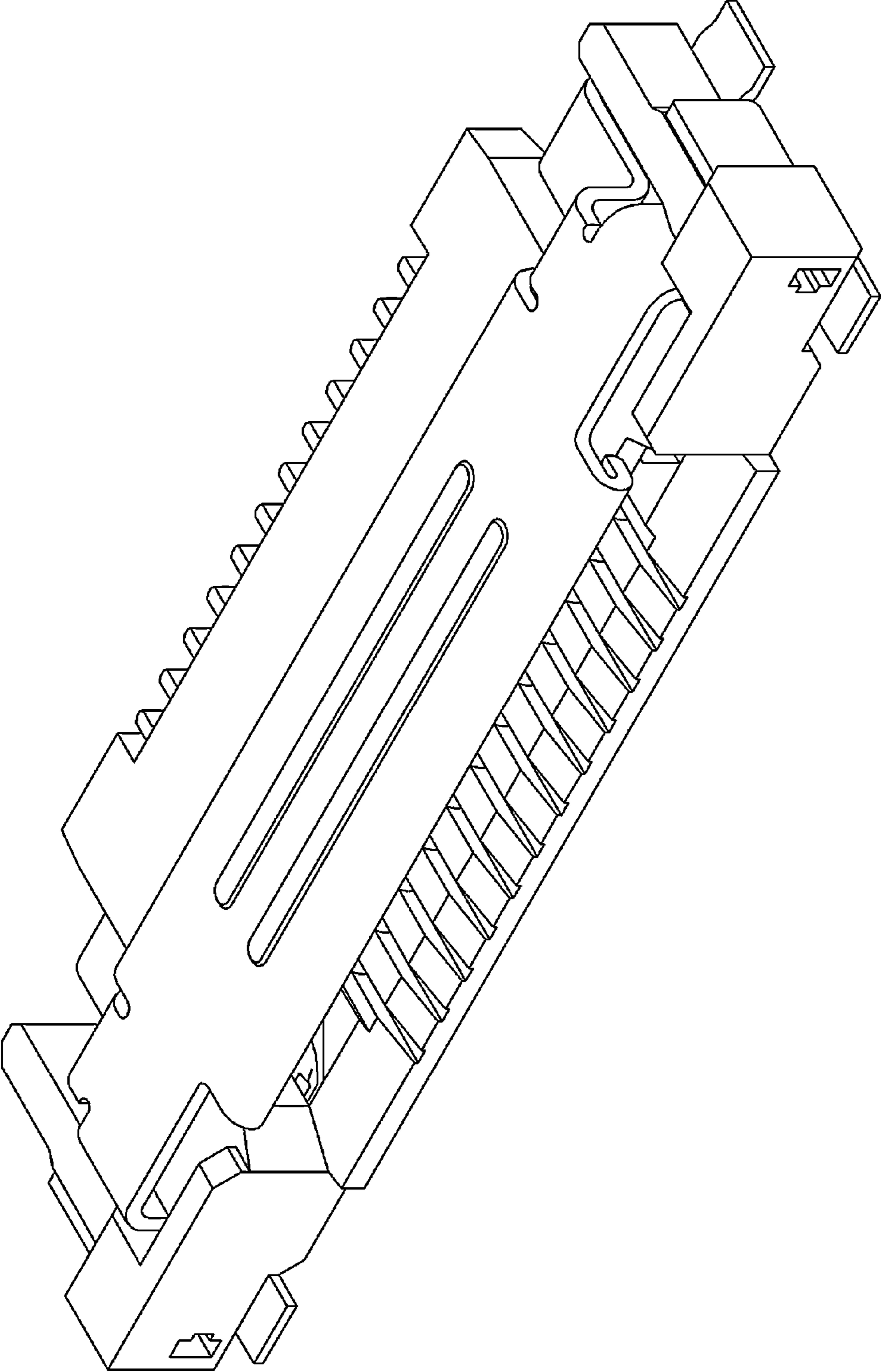


FIG.6



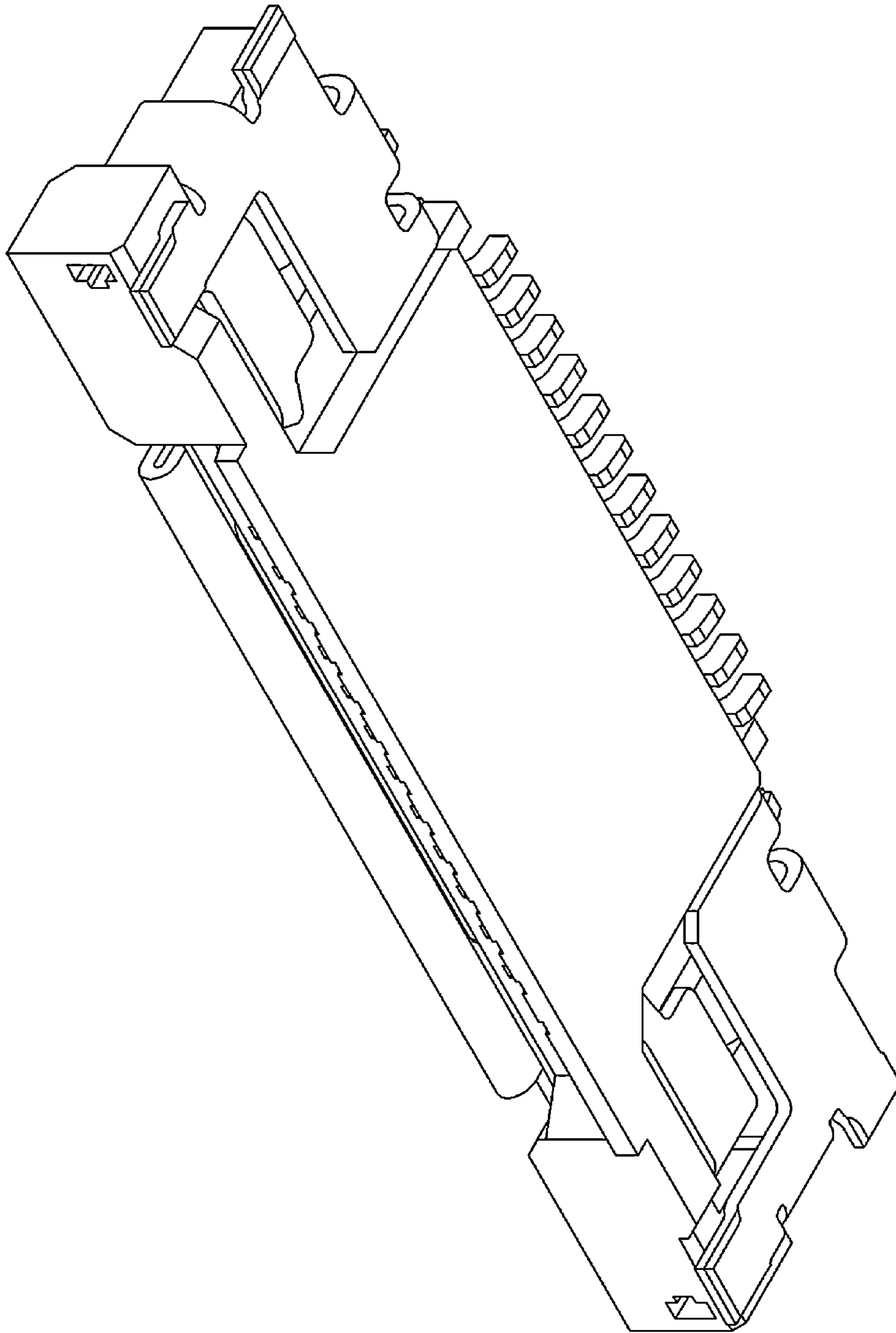


FIG. 7

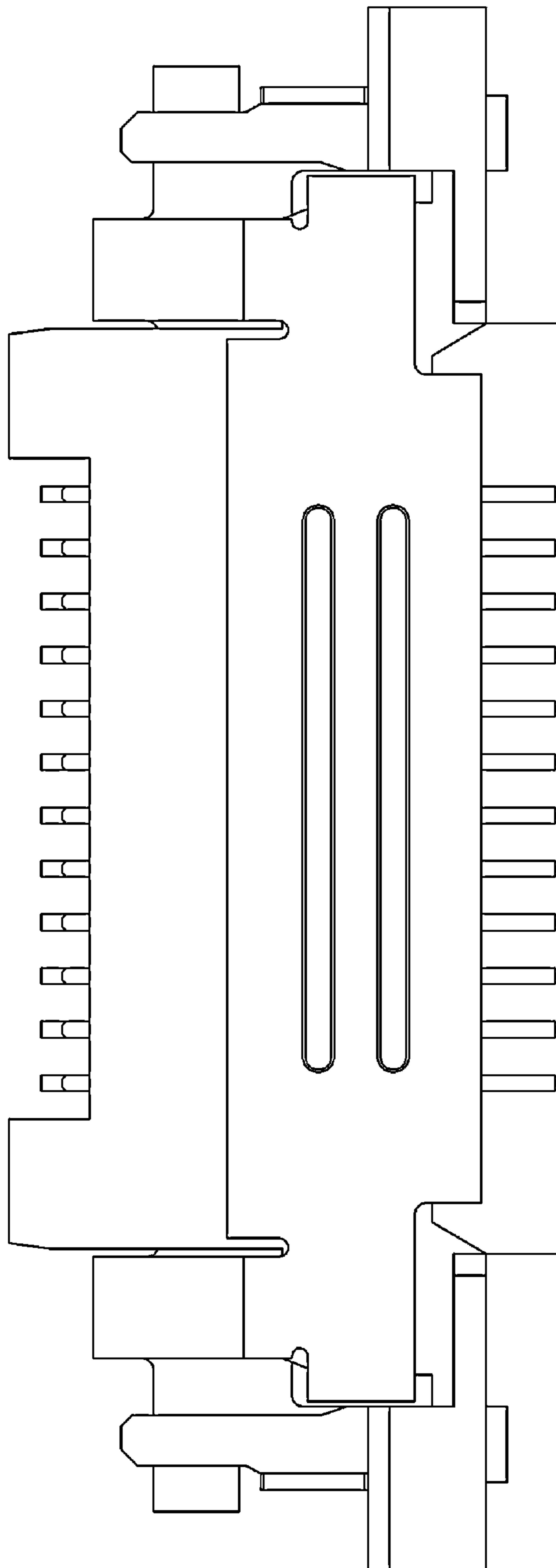


FIG. 8

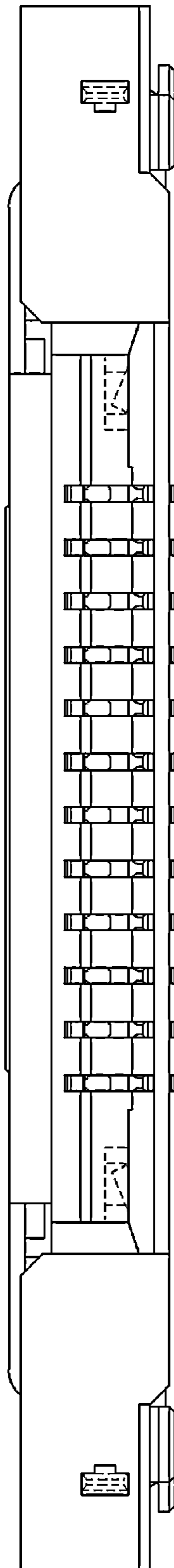


FIG. 9

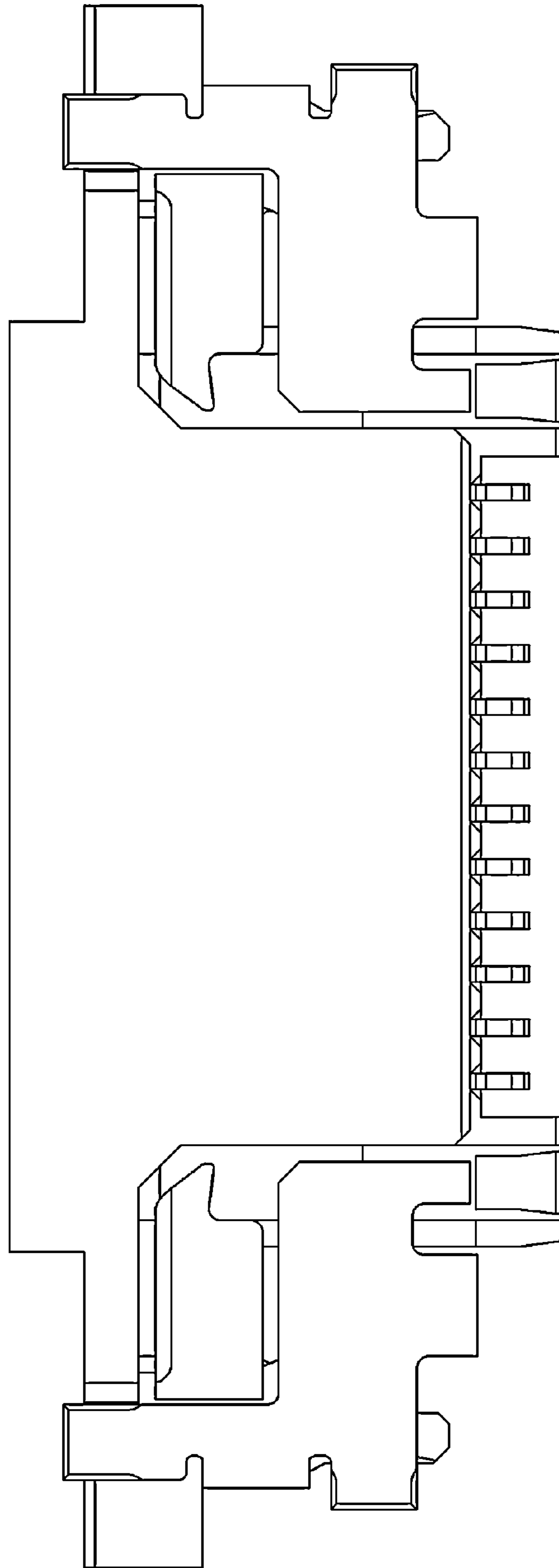


FIG.10

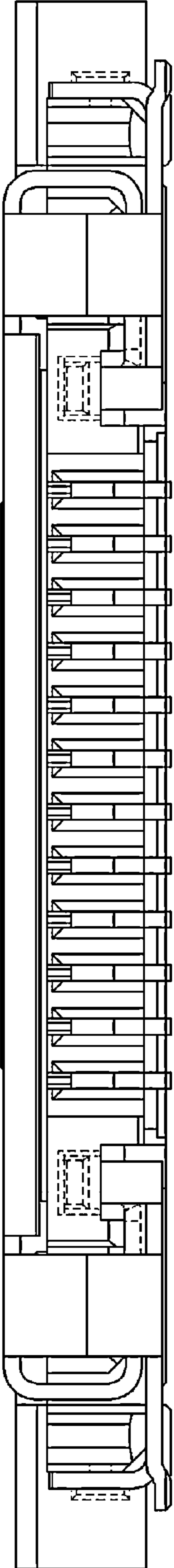


FIG.11

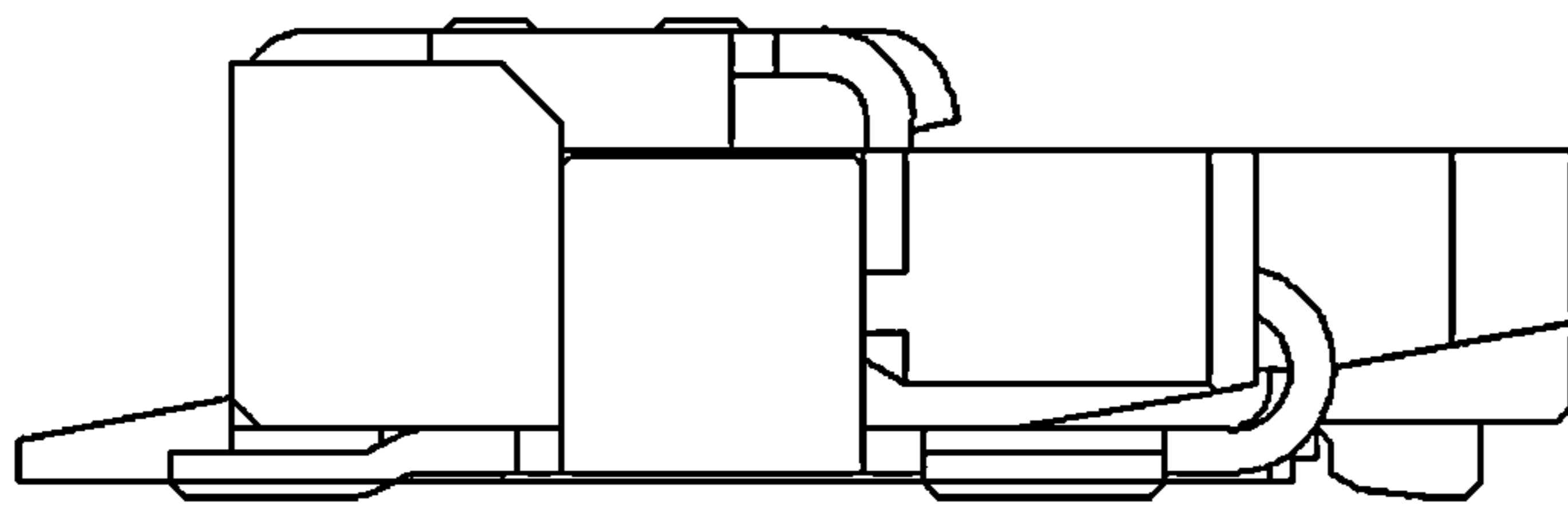


FIG.12

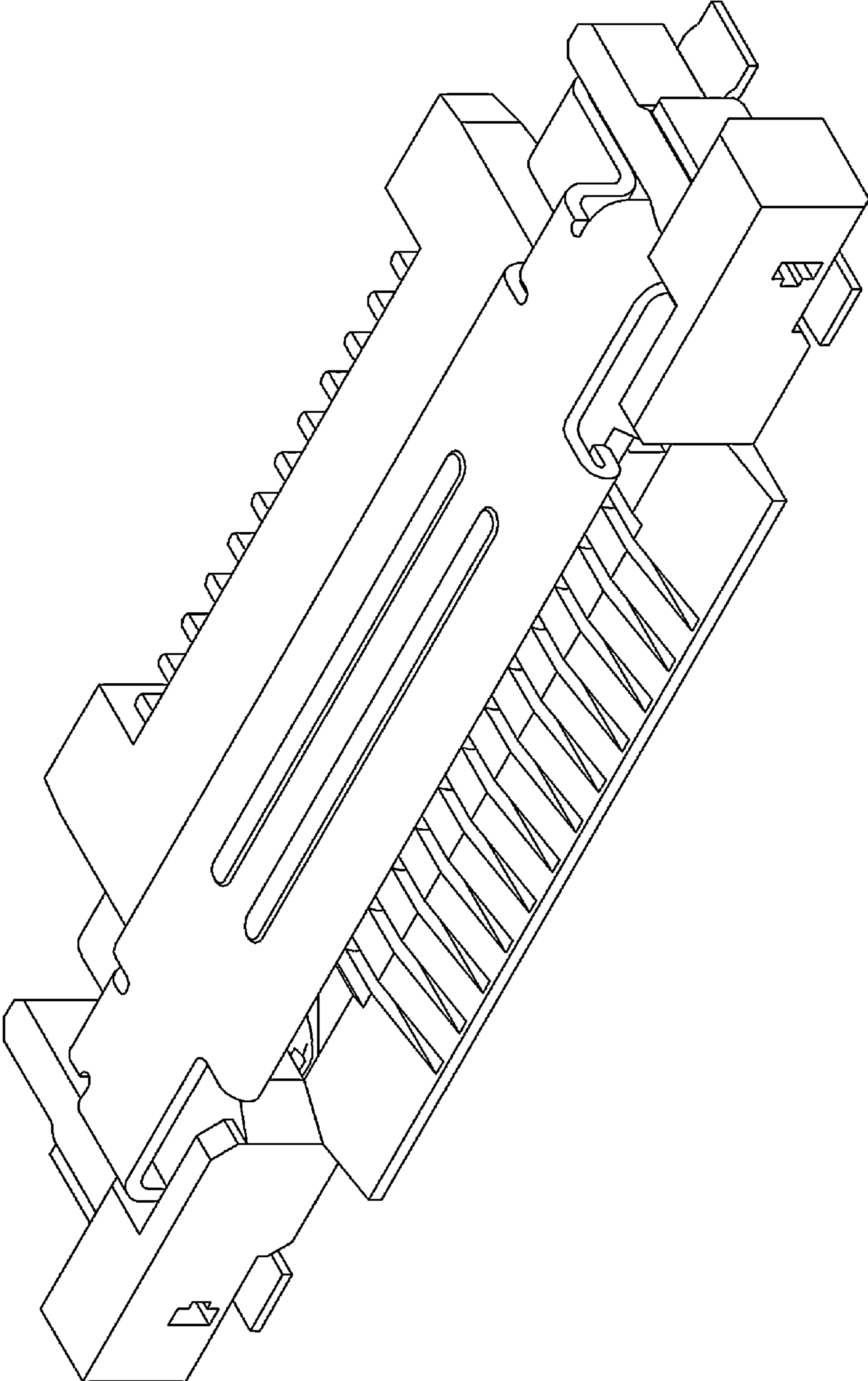


FIG.13

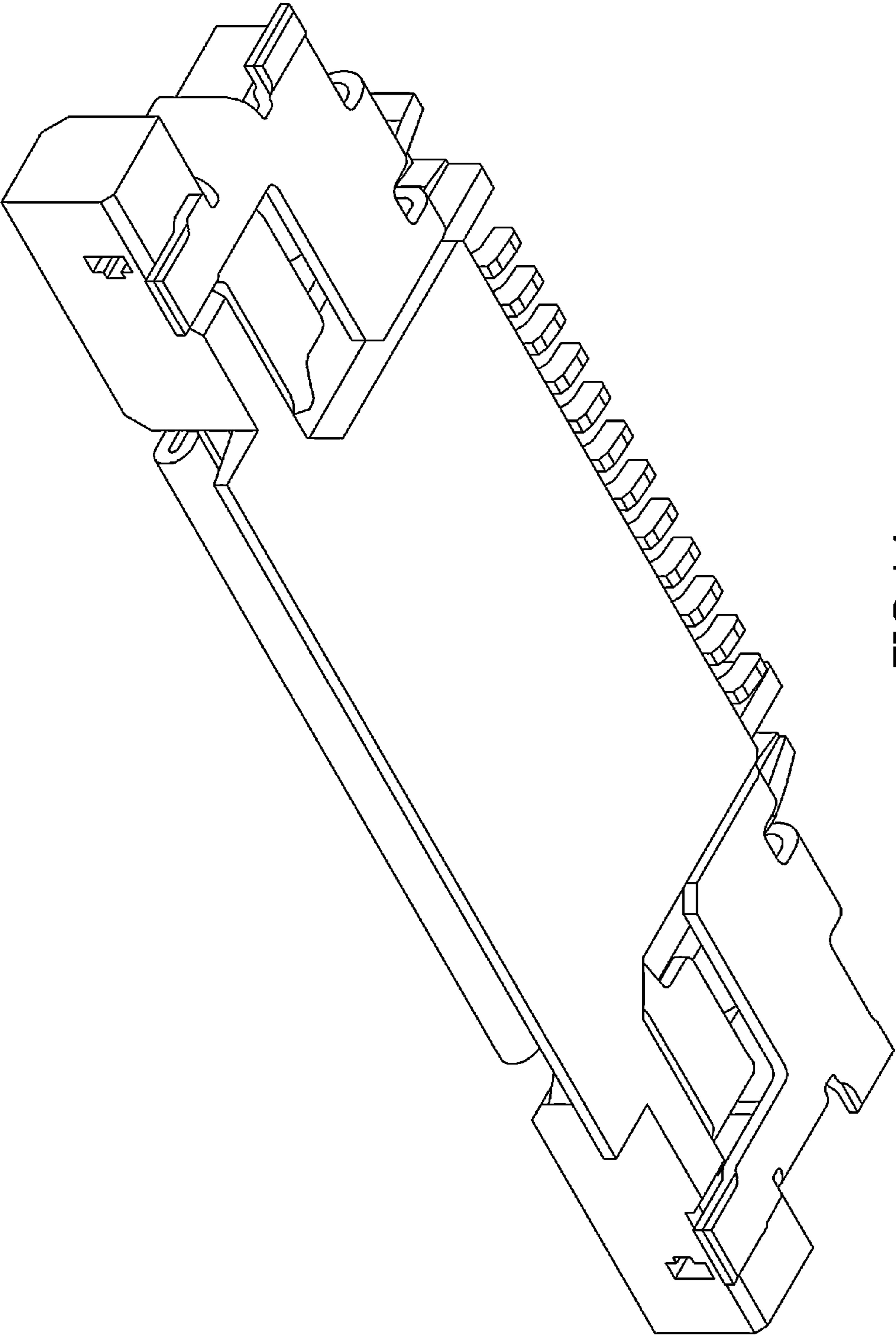


FIG.14