



US00D695688S

(12) **United States Design Patent**  
**Yoshisuji**

(10) **Patent No.:** **US D695,688 S**

(45) **Date of Patent:** **\*\* Dec. 17, 2013**

(54) **ELECTRICAL CONNECTOR**

FOREIGN PATENT DOCUMENTS

(75) Inventor: **Takashi Yoshisuji**, Machida (JP)

JP D1199597 3/2004  
JP D1199598 5/2004

(73) Assignee: **Dai-Ichi Seiko Co., Ltd.**, Kyoto (JP)

OTHER PUBLICATIONS

(\*\*) Term: **14 Years**

U.S. Appl. No. 29/402,240, filed Sep. 22, 2011, Yoshisuji.  
U.S. Appl. No. 29/402,872, filed Sep. 28, 2011, Yoshisuji.  
U.S. Appl. No. 13/595,147, filed Aug. 27, 2012, Yoshisuji, et al.  
U.S. Appl. No. 13/416,212, filed Mar. 9, 2012, Yoshisuji, et al.  
U.S. Appl. No. 29/447,042, filed Feb. 28, 2013, Yoshisuji.  
U.S. Appl. No. 29/454,279, filed May 8, 2013, Yoshisuji.  
U.S. Appl. No. 29/454,268, filed May 8, 2013, Yoshisuji.

(21) Appl. No.: **29/402,237**

(22) Filed: **Sep. 22, 2011**

(30) **Foreign Application Priority Data**

\* cited by examiner

Jun. 17, 2011 (JP) ..... 2011-013760

(51) **LOC (9) Cl.** ..... **13-03**

*Primary Examiner* — Daniel Bui

(52) **U.S. Cl.**

(74) *Attorney, Agent, or Firm* — Oblon, Spivak,  
McClelland, Maier & Neustadt, L.L.P.

USPC ..... **D13/147**

(58) **Field of Classification Search**

(57) **CLAIM**

USPC ..... D13/147, 154, 184, 199; 439/79, 108,  
439/180, 246, 374, 488, 527, 529, 530, 533,  
439/540.1, 541.5, 607.01, 607.04, 607.05,  
439/607.06, 607.17, 607.21, 607.23,  
439/607.25, 607.34, 607.41, 607.53, 660,  
439/668, 676, 680, 883, 891, 892, 894

The ornamental design for an electric connector, as shown  
and described.

See application file for complete search history.

**DESCRIPTION**

(56) **References Cited**

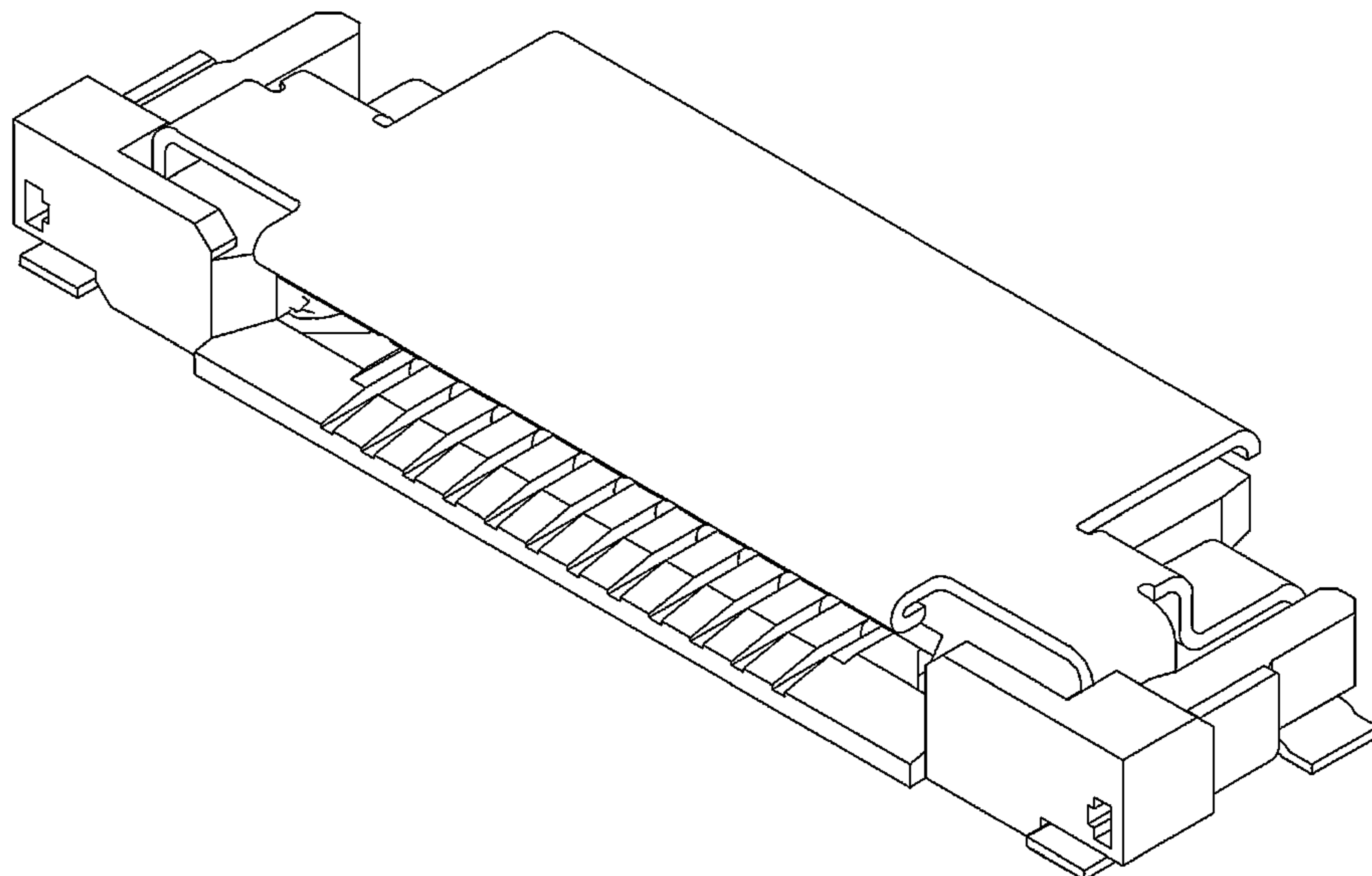
FIG. 1 is a top plan view of an electric connector showing my  
new design;  
FIG. 2 is a front elevational view thereof;  
FIG. 3 is a bottom plan view thereof;  
FIG. 4 is a rear elevational view thereof,  
FIG. 5 is a right side elevational view thereof;  
FIG. 6 is a front, top, and right side perspective view thereof;  
and,  
FIG. 7 is a front, bottom, and right side perspective view  
thereof.

U.S. PATENT DOCUMENTS

D489,335 S \* 5/2004 Ko ..... D13/147  
D502,143 S \* 2/2005 Chiu et al. .... D13/147  
D530,674 S \* 10/2006 Ko ..... D13/147  
D541,750 S \* 5/2007 Yoshikai ..... D13/147  
D598,862 S \* 8/2009 Chen ..... D13/147  
D617,280 S \* 6/2010 Yotsutani ..... D13/147  
D629,759 S \* 12/2010 Hara ..... D13/147  
D647,057 S \* 10/2011 Lee et al. .... D13/147

The broken line in the figure drawings is included for the  
purpose of illustrating unclaimed environment and forms no  
part of the claimed design.

**1 Claim, 7 Drawing Sheets**



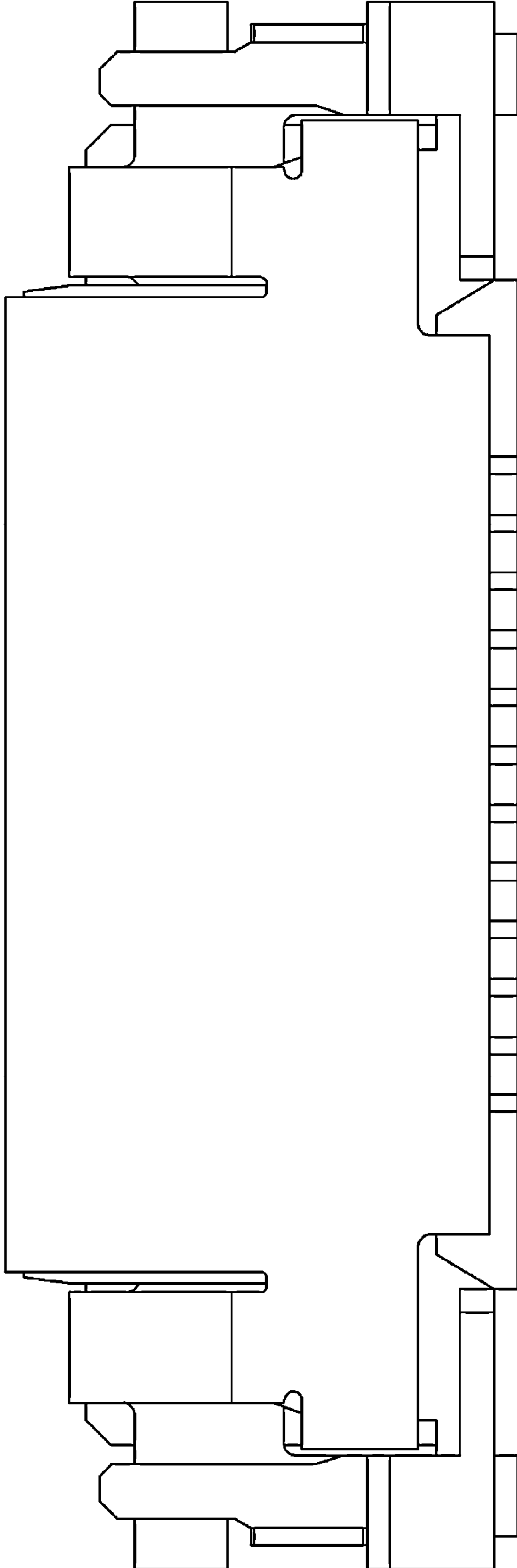


FIG.1

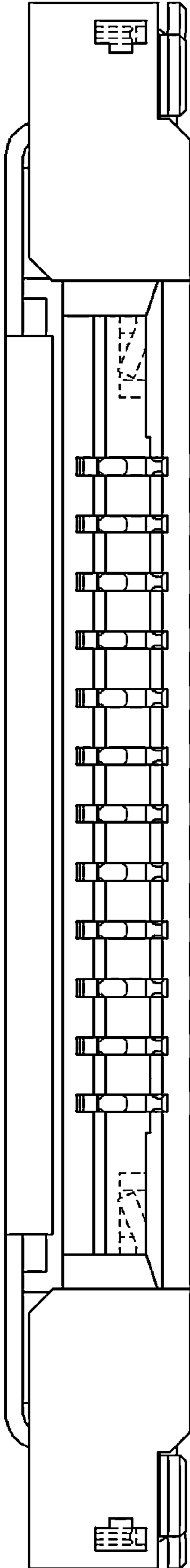


FIG. 2

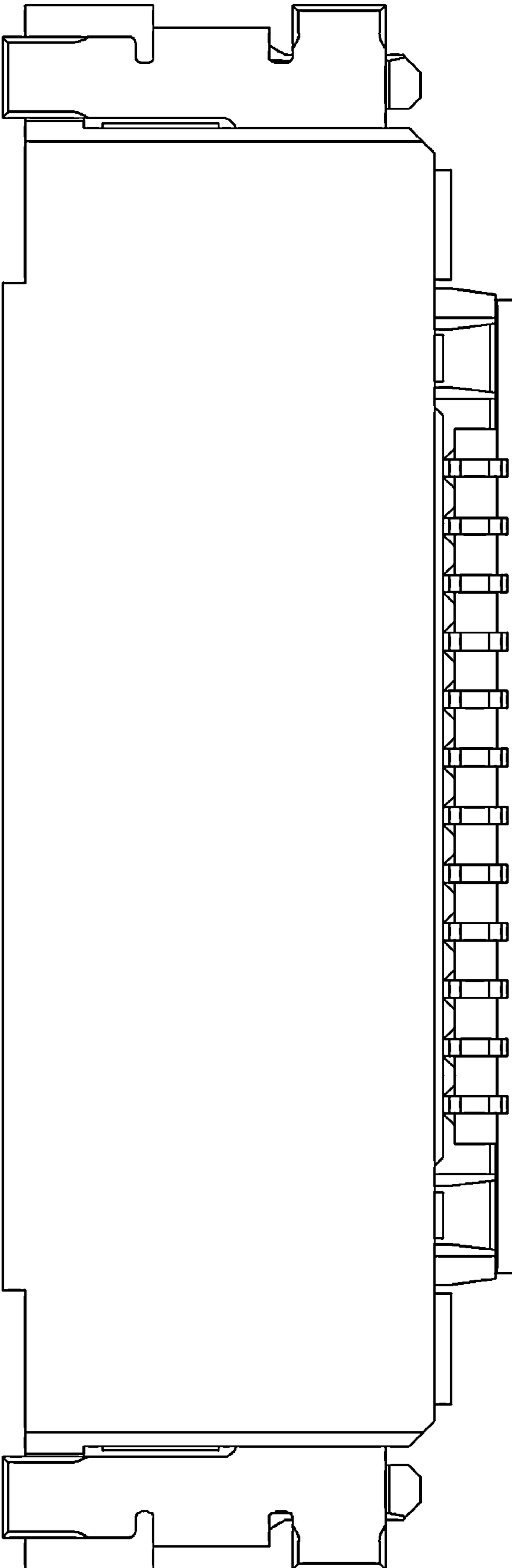


FIG.3

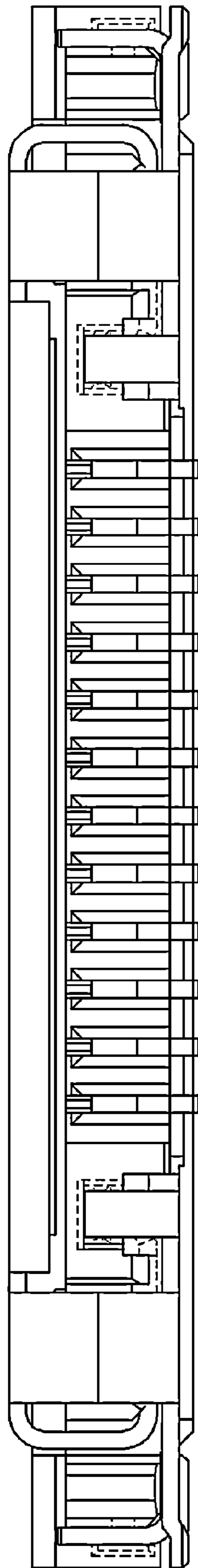


FIG.4

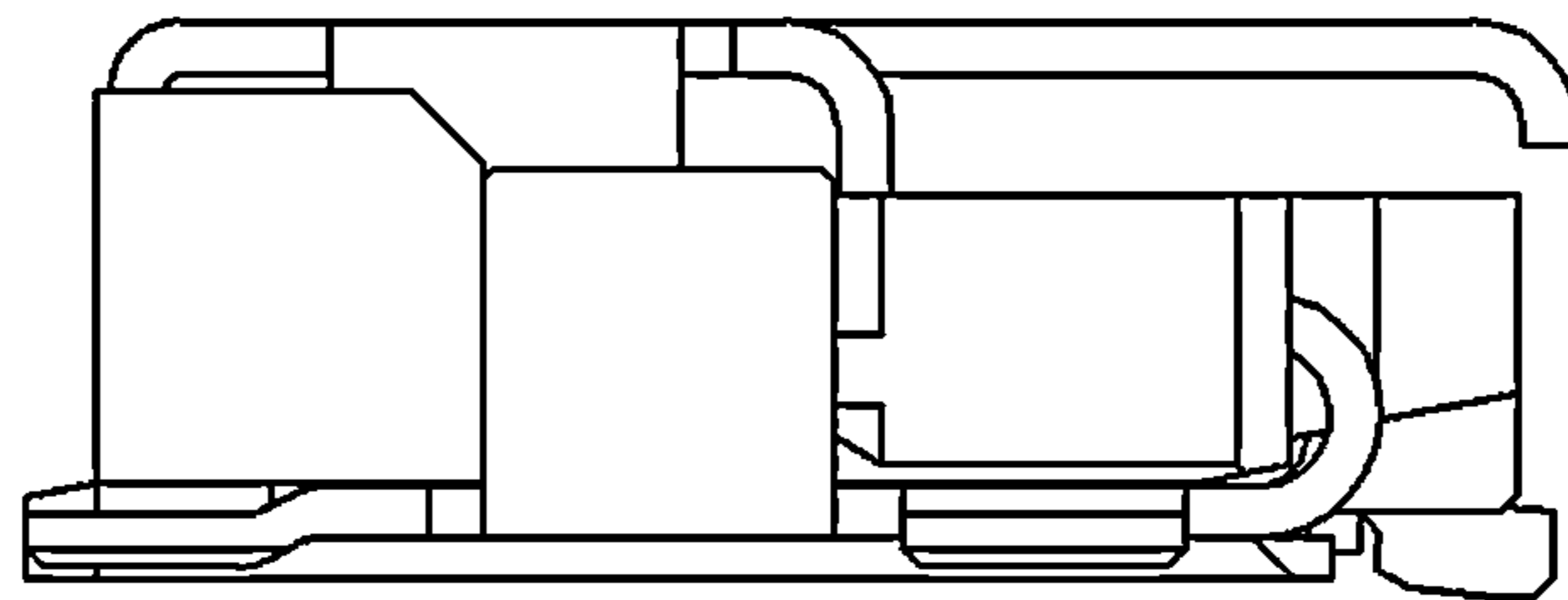


FIG.5

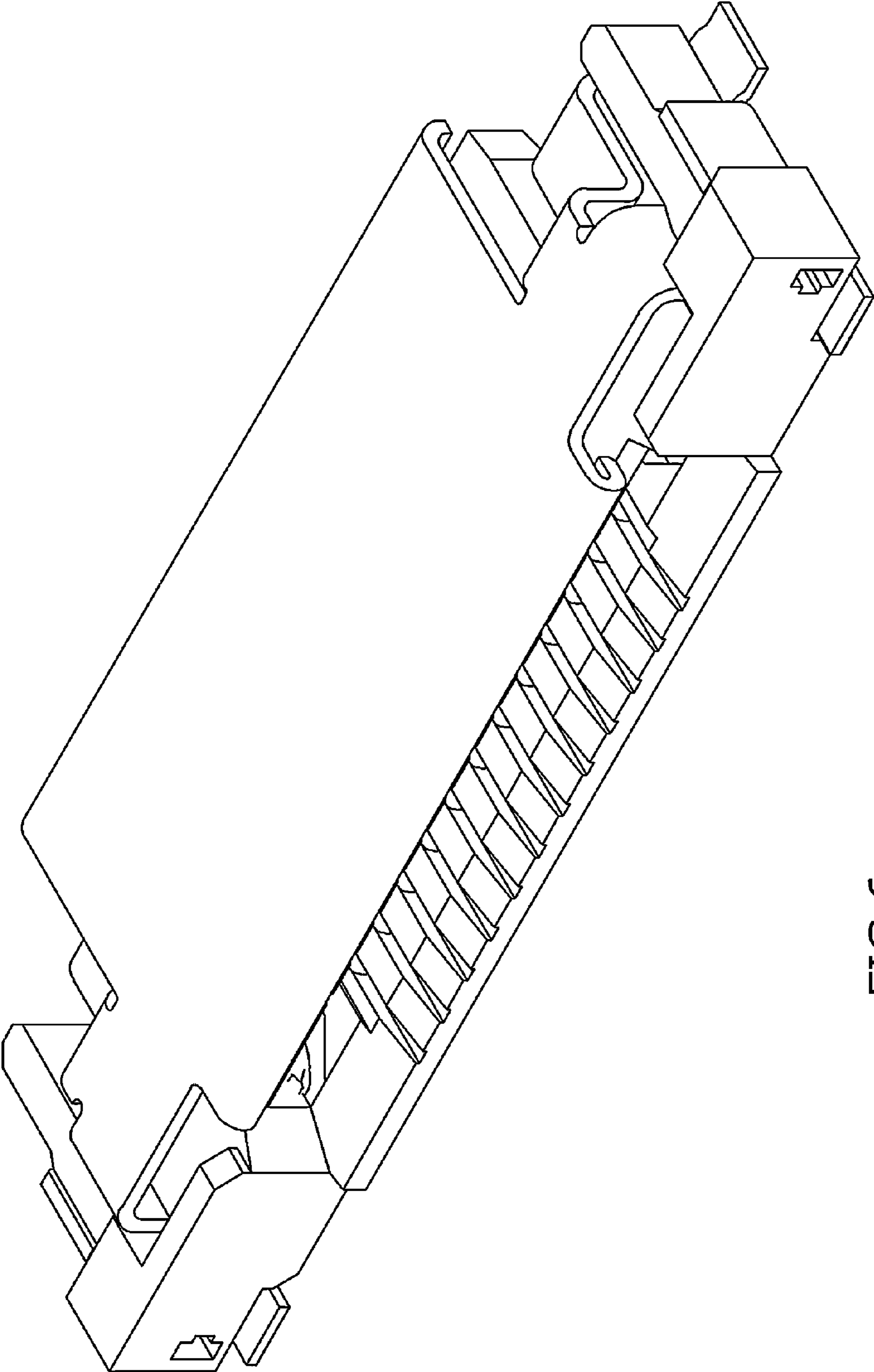


FIG.6

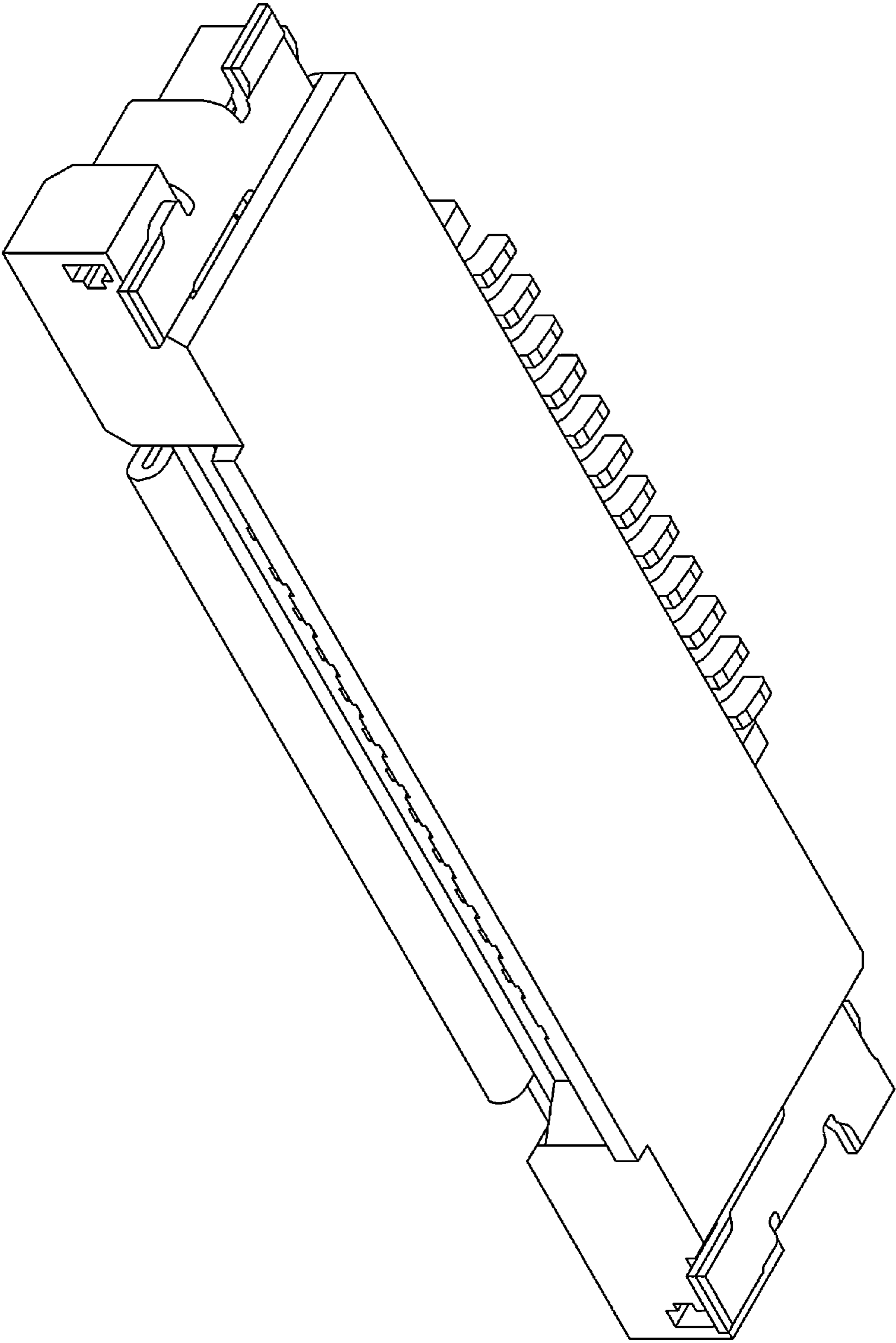


FIG.7