

US00D695684S

(12) **United States Design Patent**
Lee et al.

(10) **Patent No.:** **US D695,684 S**
(45) **Date of Patent:** **** Dec. 17, 2013**

(54) **ELECTRICAL PLUG-SOCKET ADAPTOR**

(75) Inventors: **Chiu-San Lee**, New Taipei (TW);
Su-Chen Shen, New Taipei (TW)

(73) Assignee: **XYZ Science Co., Ltd.**, New Taipei
(TW)

(**) Term: **14 Years**

(21) Appl. No.: **29/425,988**

(22) Filed: **Jun. 29, 2012**

(51) **LOC (9) Cl.** **13-03**

(52) **U.S. Cl.**
USPC **D13/133**

(58) **Field of Classification Search**
USPC D13/133, 146–147, 154, 156, 184;
439/180, 252, 278, 280, 290–293, 328,
439/374, 375, 378, 483, 488, 489, 491, 500,
439/525, 529, 533, 592–593, 680, 892, 894
See application file for complete search history.

(56) **References Cited**

U.S. PATENT DOCUMENTS

D329,842 S * 9/1992 Watanabe D13/147
D366,239 S * 1/1996 Eaton D13/146
D435,017 S * 12/2000 Hwang D13/147

D500,735 S * 1/2005 Shirae et al. D13/133
D585,024 S * 1/2009 Kudo D13/133
D595,661 S * 7/2009 Brassard D13/154
D627,731 S * 11/2010 Huang et al. D13/146
D631,012 S * 1/2011 Denpouya D13/133
D669,433 S * 10/2012 Lee D13/110
D682,220 S * 5/2013 Lee et al. D13/152

* cited by examiner

Primary Examiner — Thomas Johannes

(74) *Attorney, Agent, or Firm* — Leong C. Lei

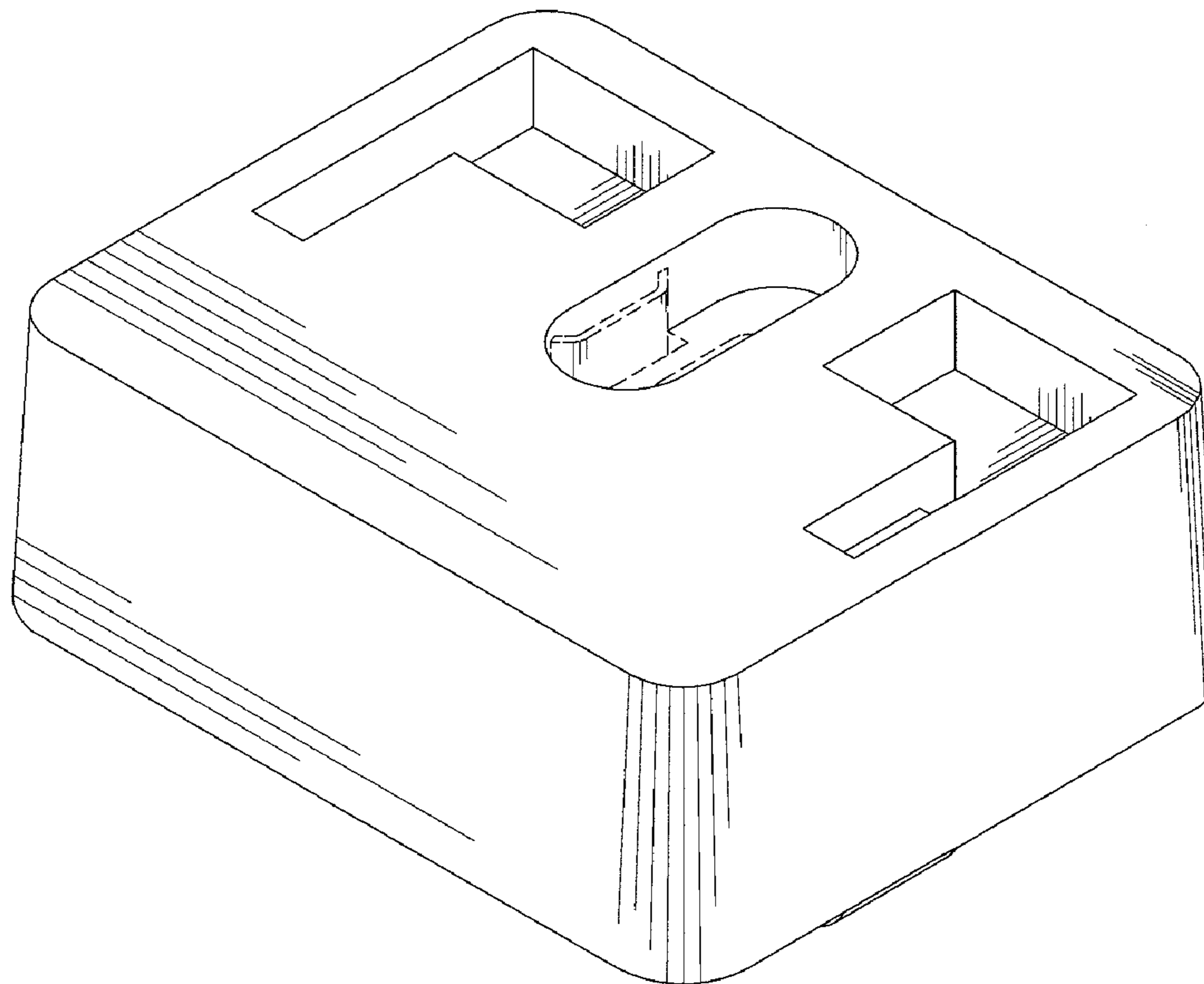
(57) **CLAIM**

The ornamental design for an electrical plug-socket adaptor, as shown and described.

DESCRIPTION

FIG. 1 is a front perspective view of an electrical plug-socket adaptor showing my new design;
FIG. 2 is a front elevational view thereof;
FIG. 3 is a rear elevational view thereof;
FIG. 4 is a left elevational view thereof;
FIG. 5 is a right elevational view thereof;
FIG. 6 is a top plan view thereof; and,
FIG. 7 is a bottom plan view thereof.
The broken line portion of the figure drawings is included to show unclaimed subject matter only and forms no part of the claimed design.

1 Claim, 7 Drawing Sheets



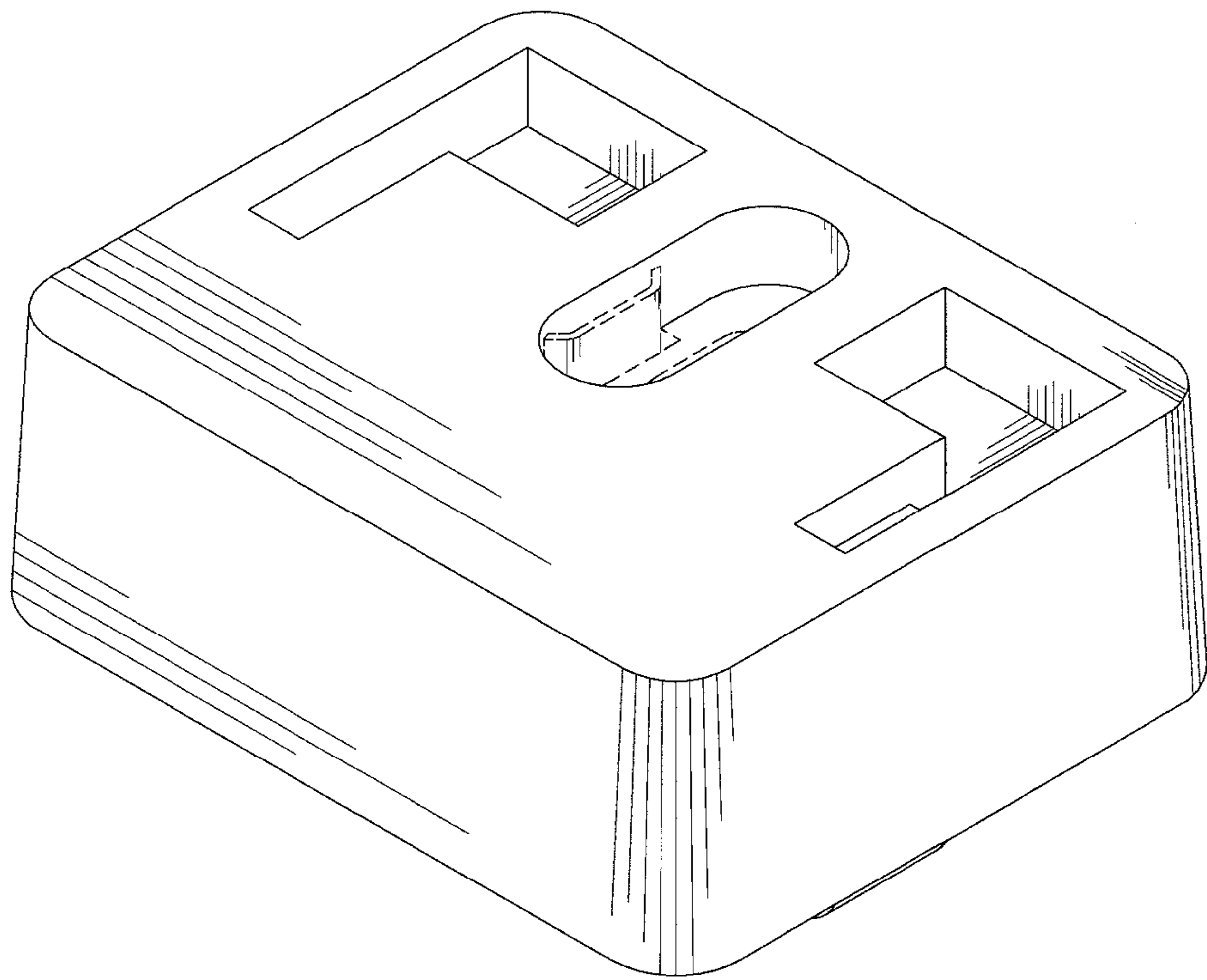


FIG. 1

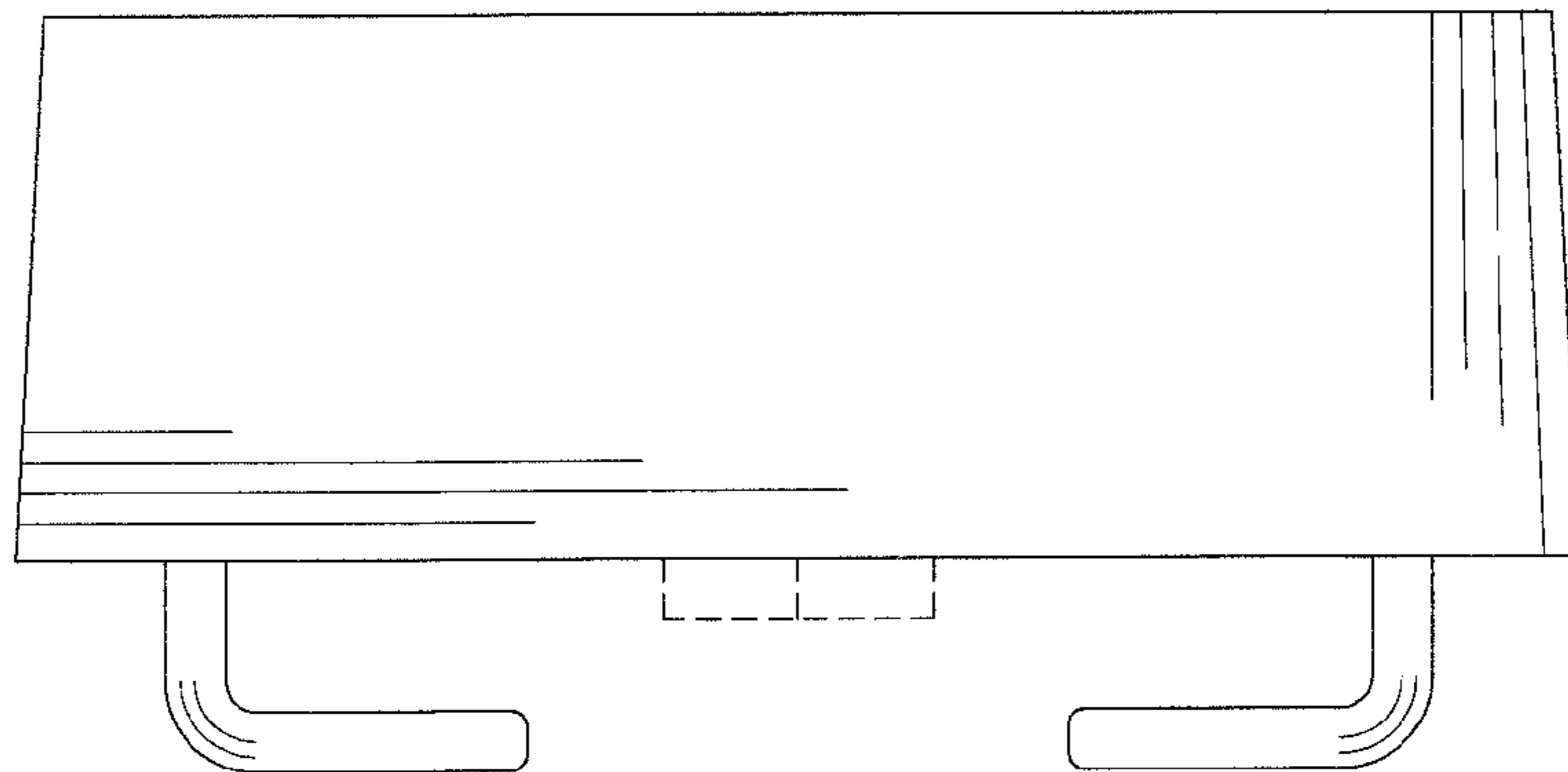


FIG. 2

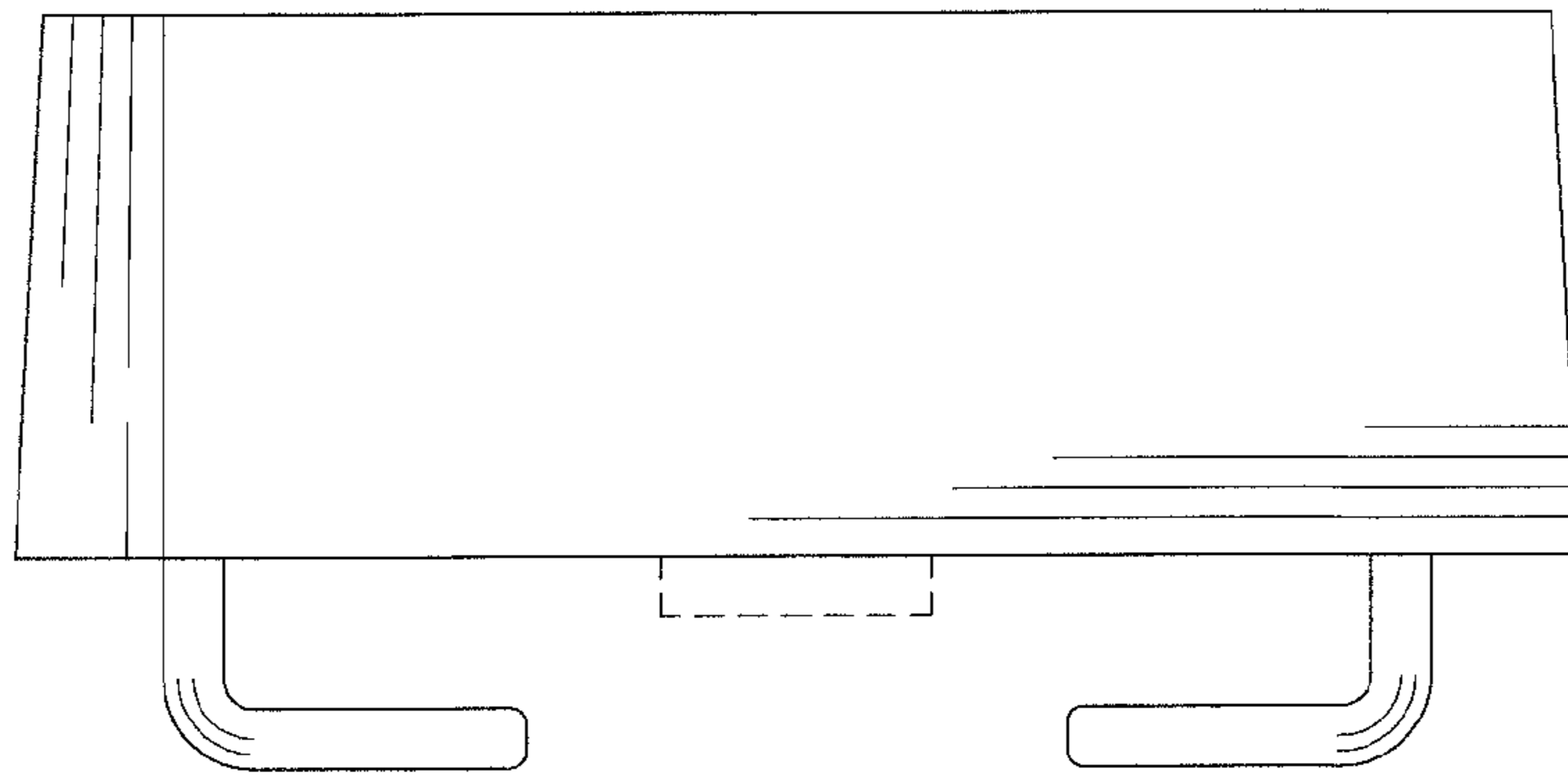


FIG.3

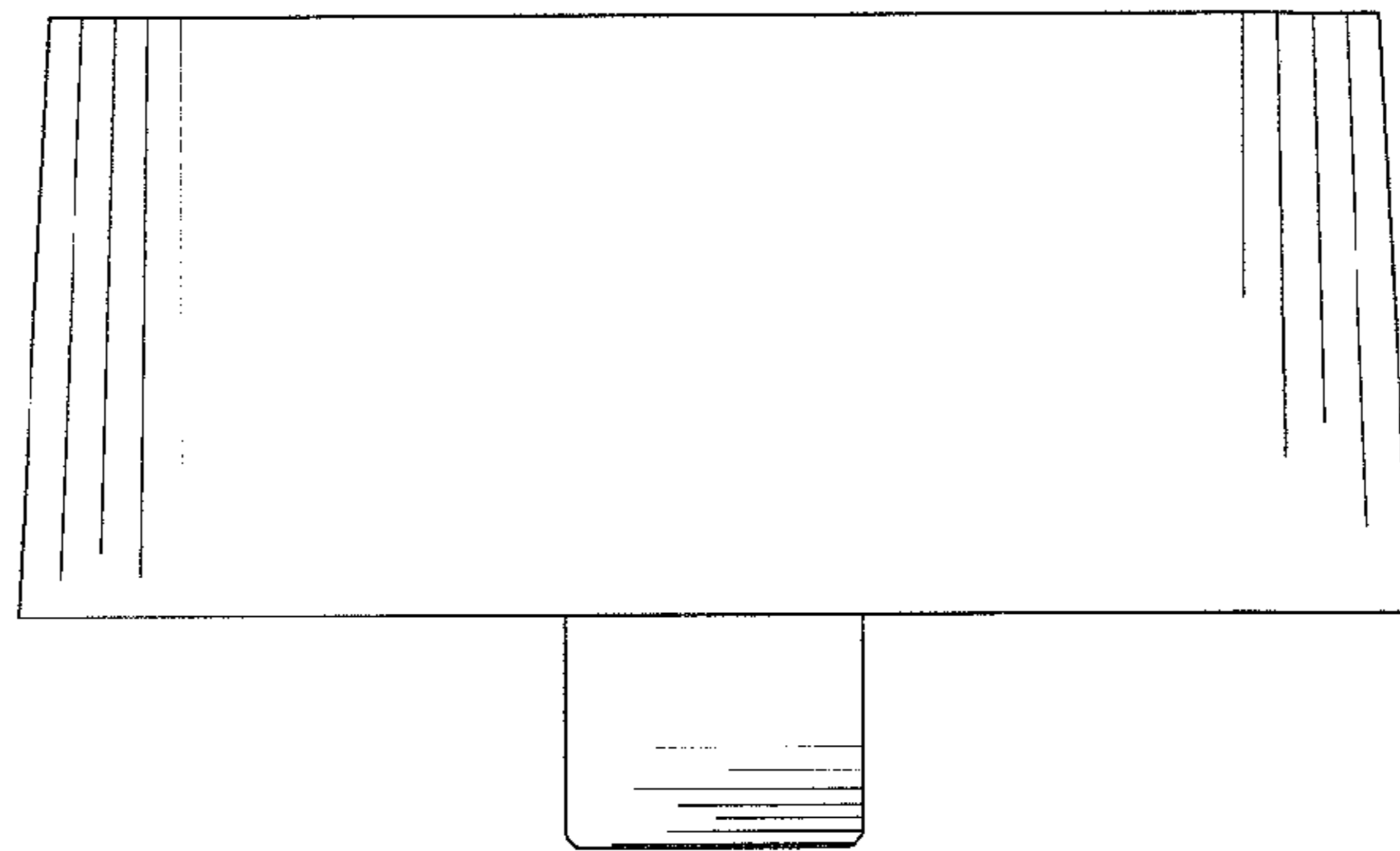


FIG.4

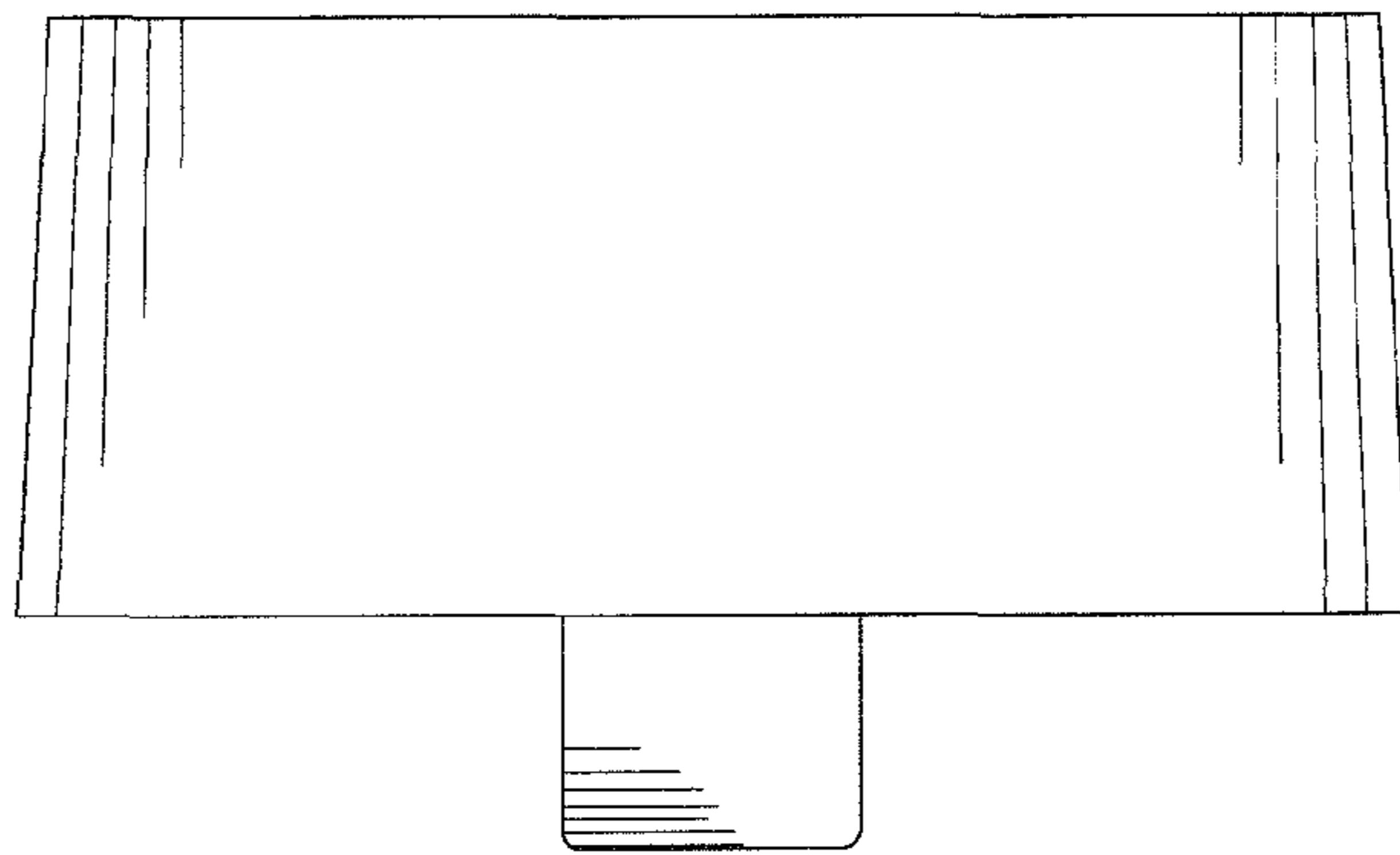


FIG. 5

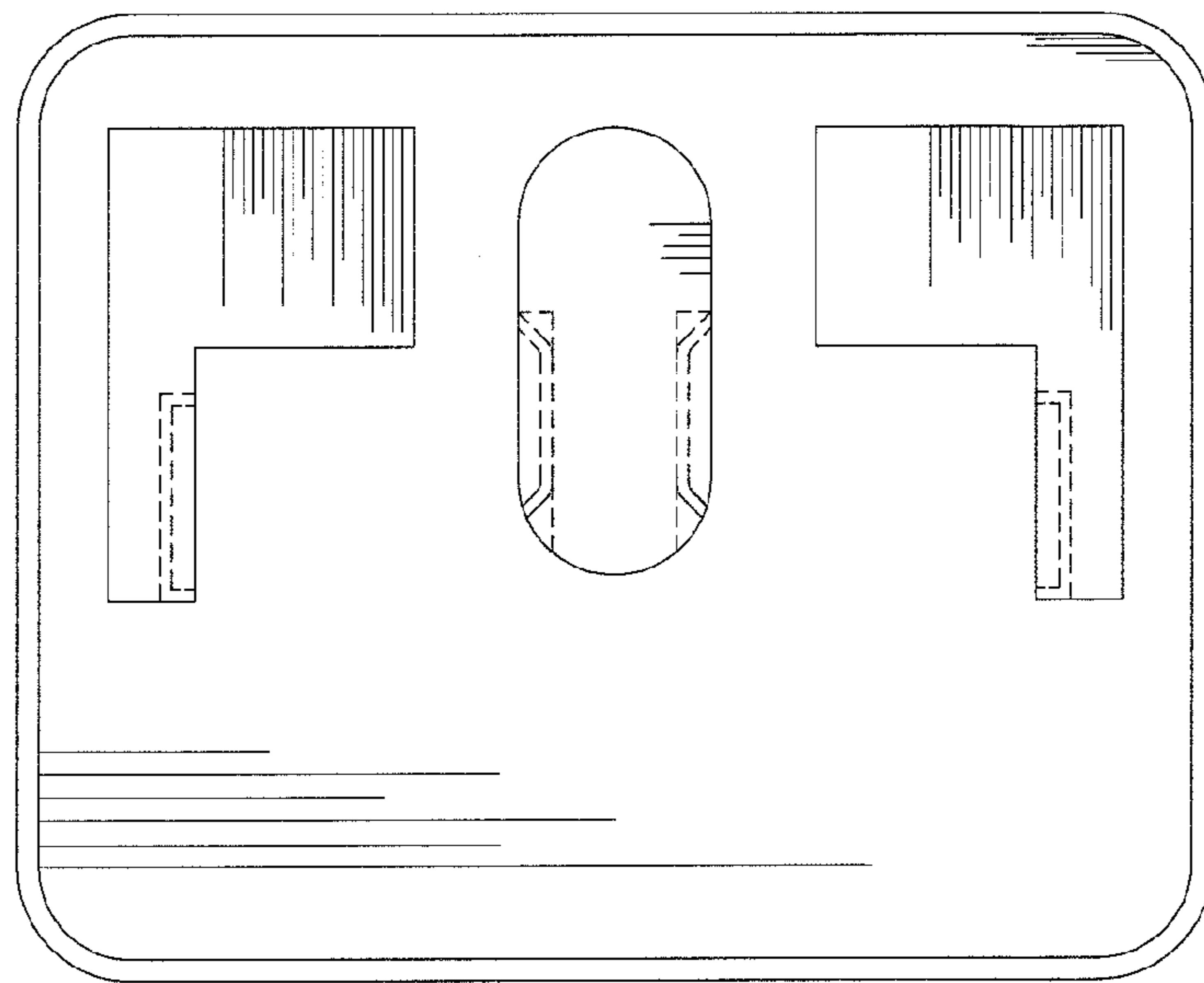


FIG.6

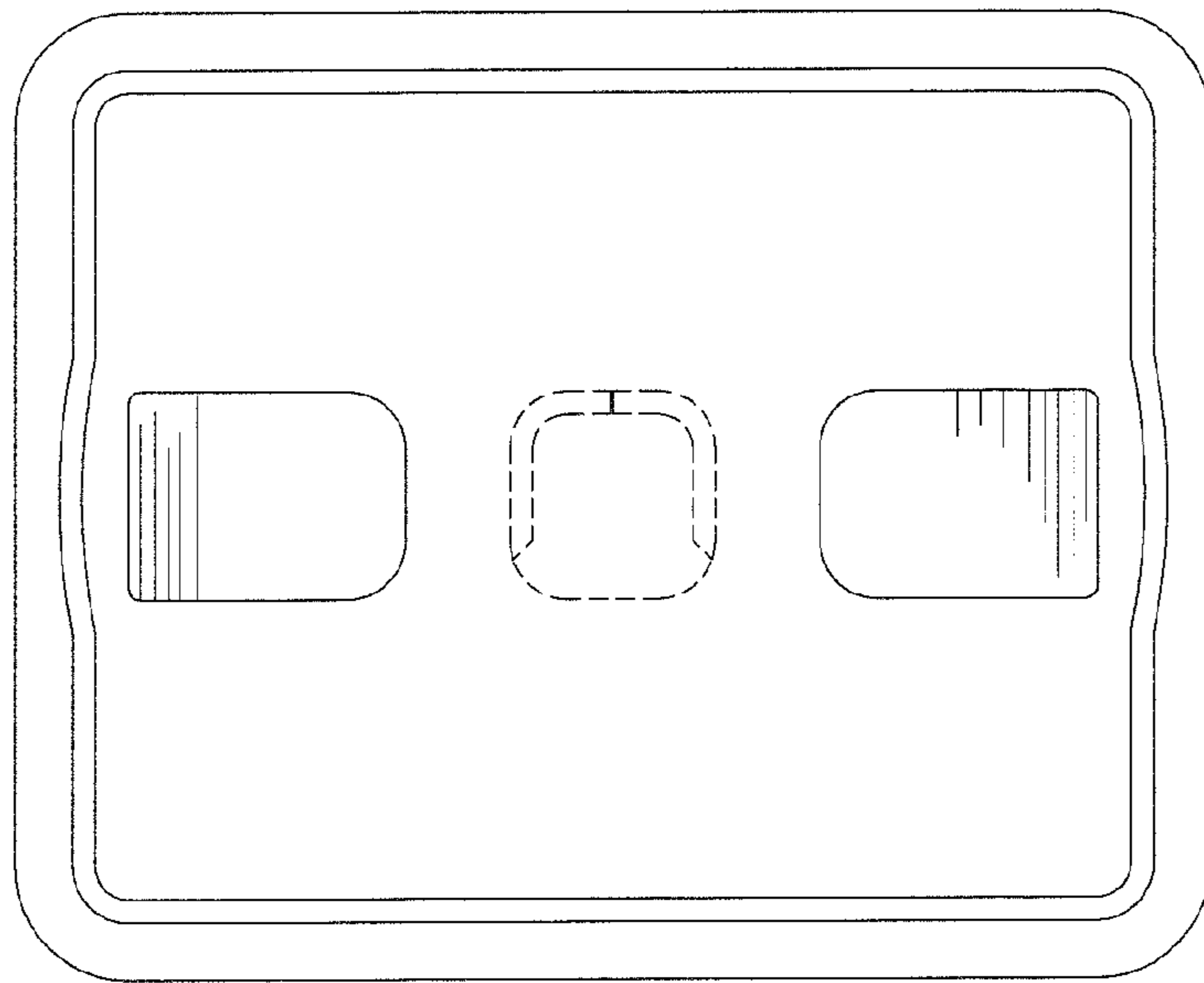


FIG. 7