



US00D695683S

(12) **United States Design Patent**
Al et al.

(10) **Patent No.:** **US D695,683 S**
(45) **Date of Patent:** **** Dec. 17, 2013**

(54) **WIND TURBINE**

(75) Inventors: **Hsu-Fan Al**, Guishan Township,
Taoyuan County (TW); **Yuan-Ping Hsieh**, Guishan Township, Taoyuan
County (TW); **Chien-Ho Lee**, Guishan
Township, Taoyuan County (TW);
Chao-Hsing Kang, Guishan Townshi,
Taoyuan County (TW)

(73) Assignee: **Delta Electronics, Inc.**, Taoyuan County
(TW)

(**) Term: **14 Years**

(21) Appl. No.: **29/419,447**

(22) Filed: **Apr. 27, 2012**

(51) **LOC (9) Cl.** **13-01**

(52) **U.S. Cl.**
USPC **D13/115**

(58) **Field of Classification Search**
USPC D13/115, 101, 199; D15/1, 199;
290/43, 44; 415/4.1, 4.3, 4.5, 56.3,
415/122.1; 416/9, 12, 23, 24, 32, 37, 38,
416/44, 115, 117, 132 B, 132 R, 142, 169,
416/196 A, 197 A

See application file for complete search history.

(56) **References Cited**

U.S. PATENT DOCUMENTS

D271,303	S	*	11/1983	Ovelmen	D15/1
4,498,017	A	*	2/1985	Parkins	290/44
5,354,175	A	*	10/1994	Coleman et al.	416/9
D480,360	S	*	10/2003	Bayly	D13/115
D517,986	S	*	3/2006	Wobben	D13/115
D584,686	S	*	1/2009	Gudewer	D13/115
D602,861	S	*	10/2009	Talab	D13/115
2004/0057828	A1	*	3/2004	Bosche	416/1

* cited by examiner

Primary Examiner — Derrick Holland

(74) *Attorney, Agent, or Firm* — Chun-Ming Shih; HDLS
IPR Services

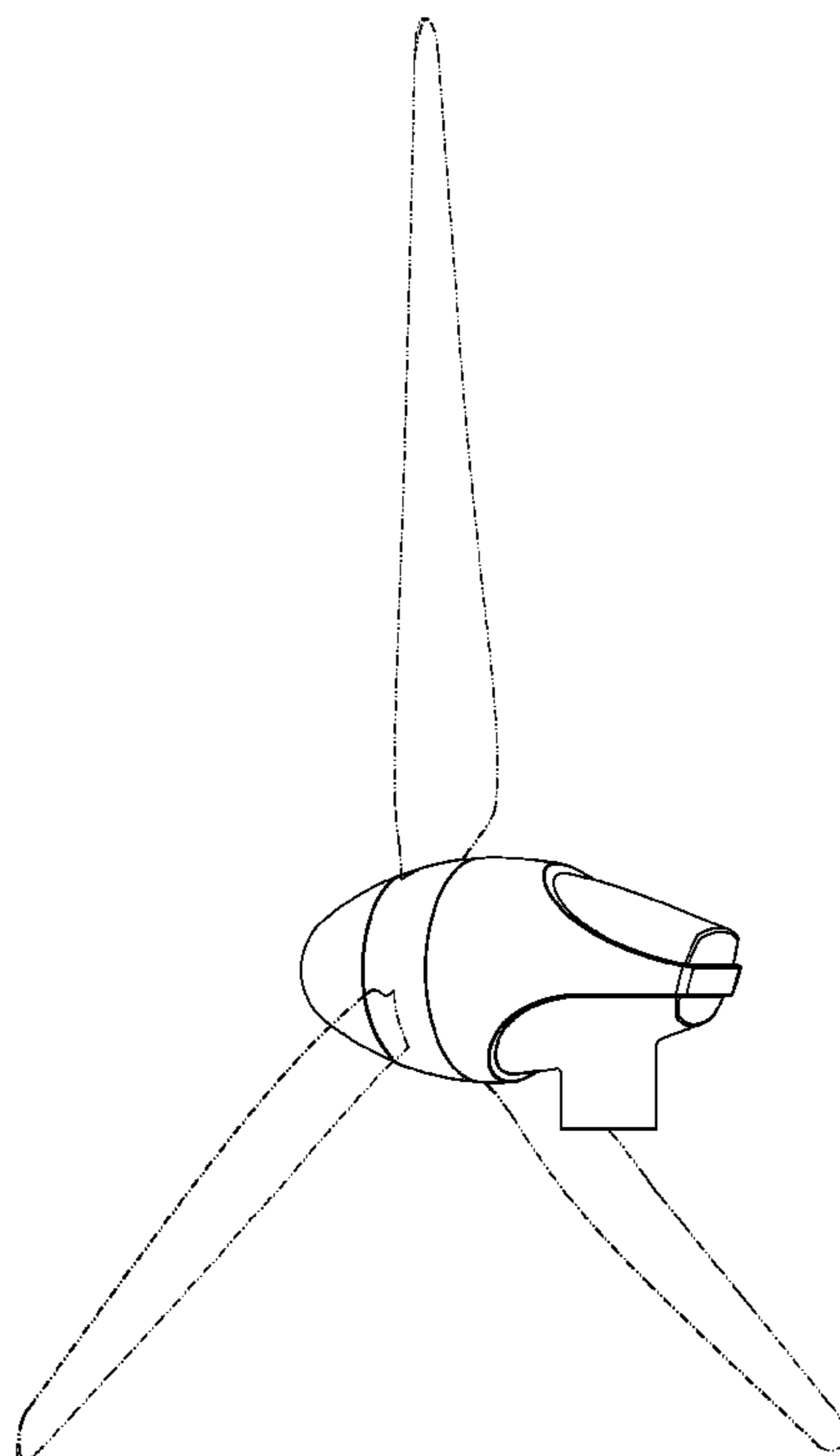
(57) **CLAIM**

The ornamental design for a wind turbine, as shown and
described.

DESCRIPTION

FIG. 1 is a perspective view of a wind turbine showing our
new design;
FIG. 2 is a front view thereof;
FIG. 3 is a rear view thereof;
FIG. 4 is a left side view thereof;
FIG. 5 is a right side view thereof;
FIG. 6 is a top view thereof; and,
FIG. 7 is a bottom view thereof.
The broken lines shown represent unclaimed subject matter
and form no part of the claimed design.

1 Claim, 6 Drawing Sheets



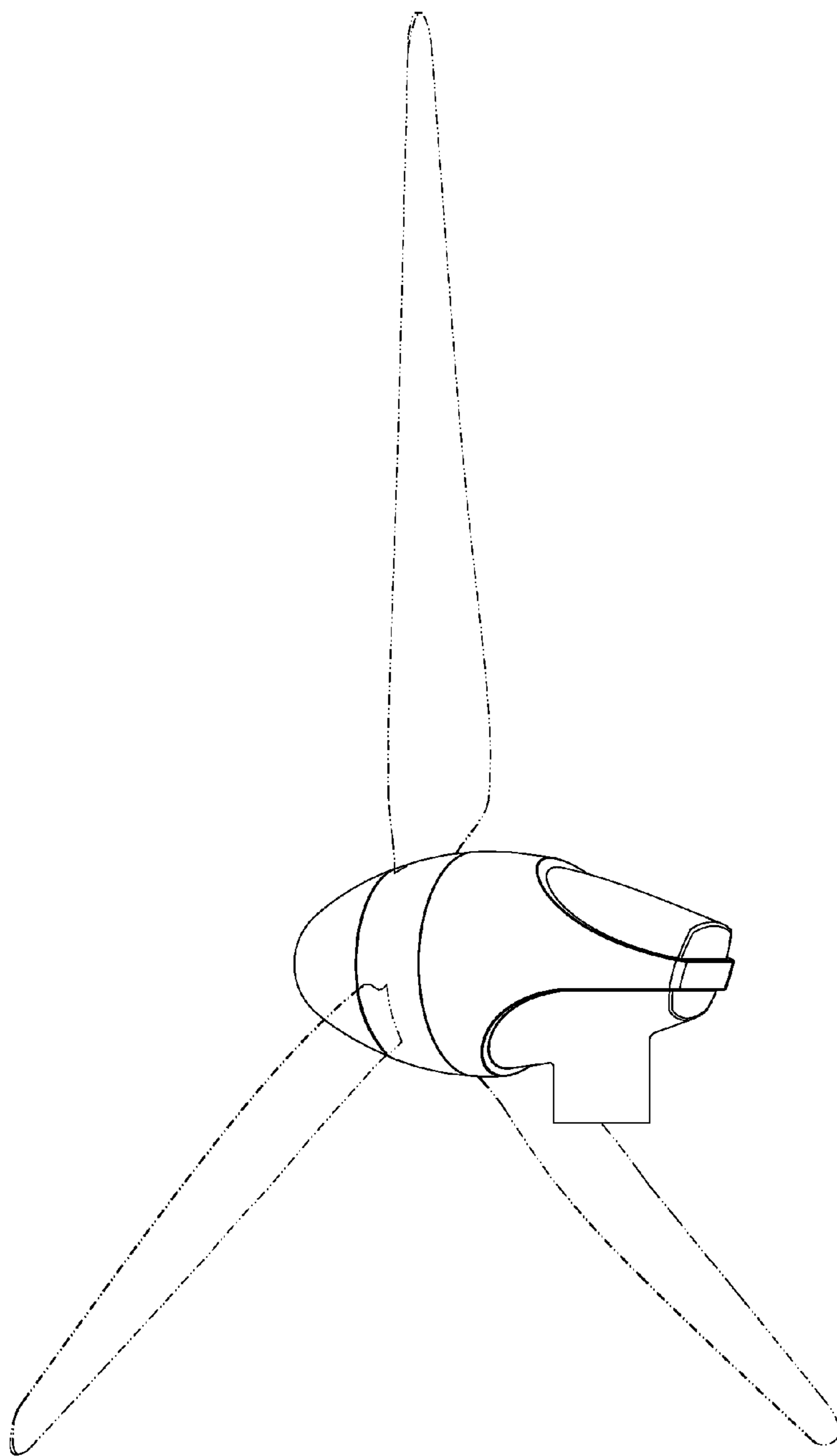


FIG.1

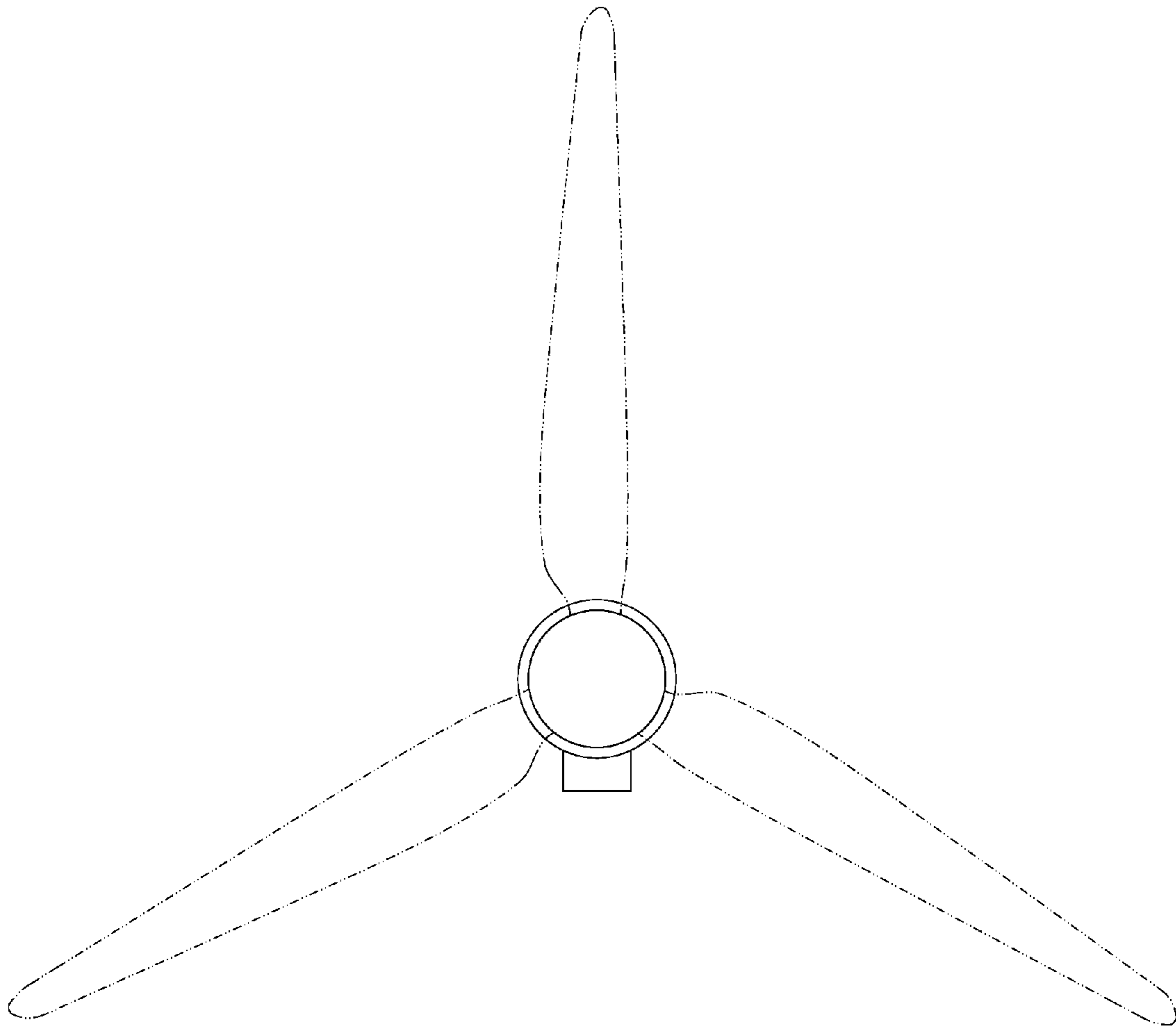


FIG.2

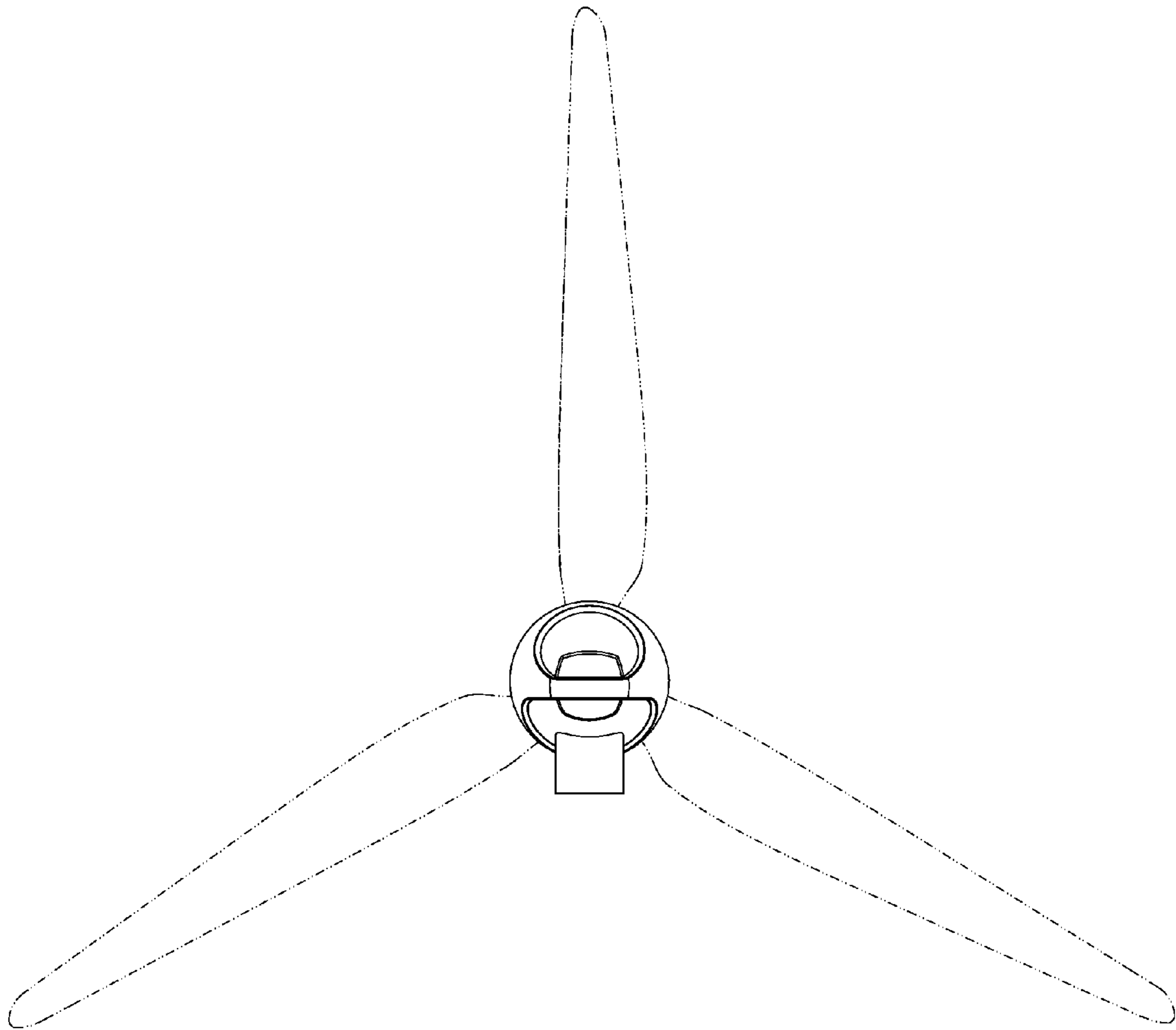


FIG.3

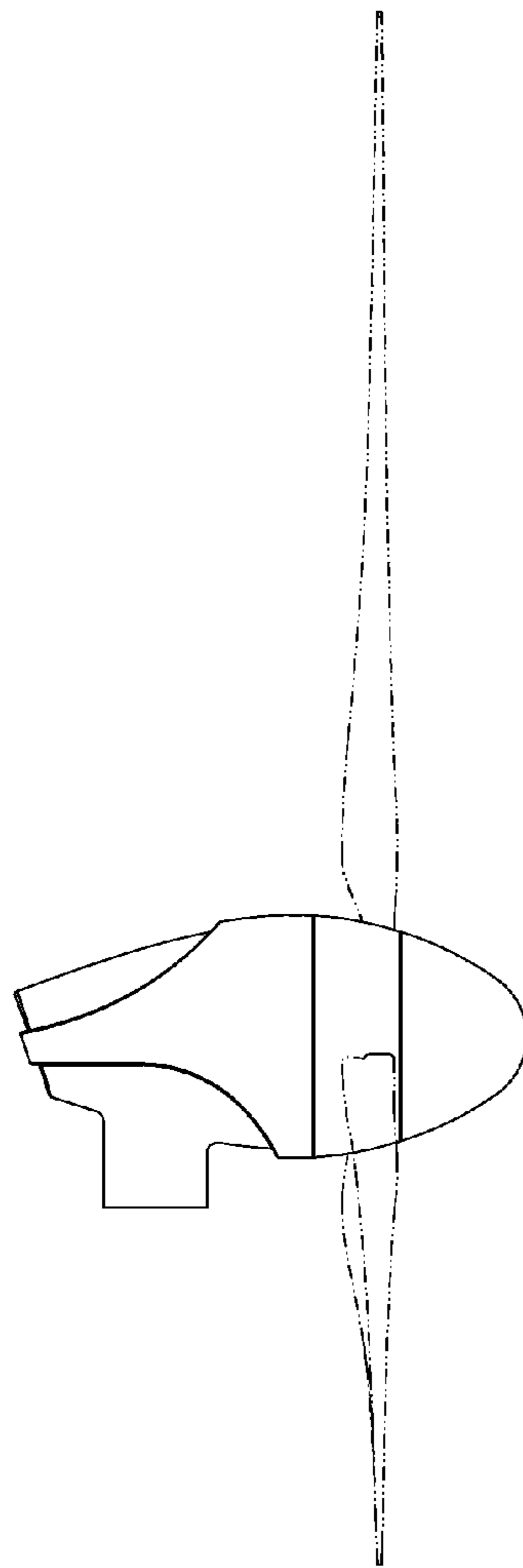


FIG.4

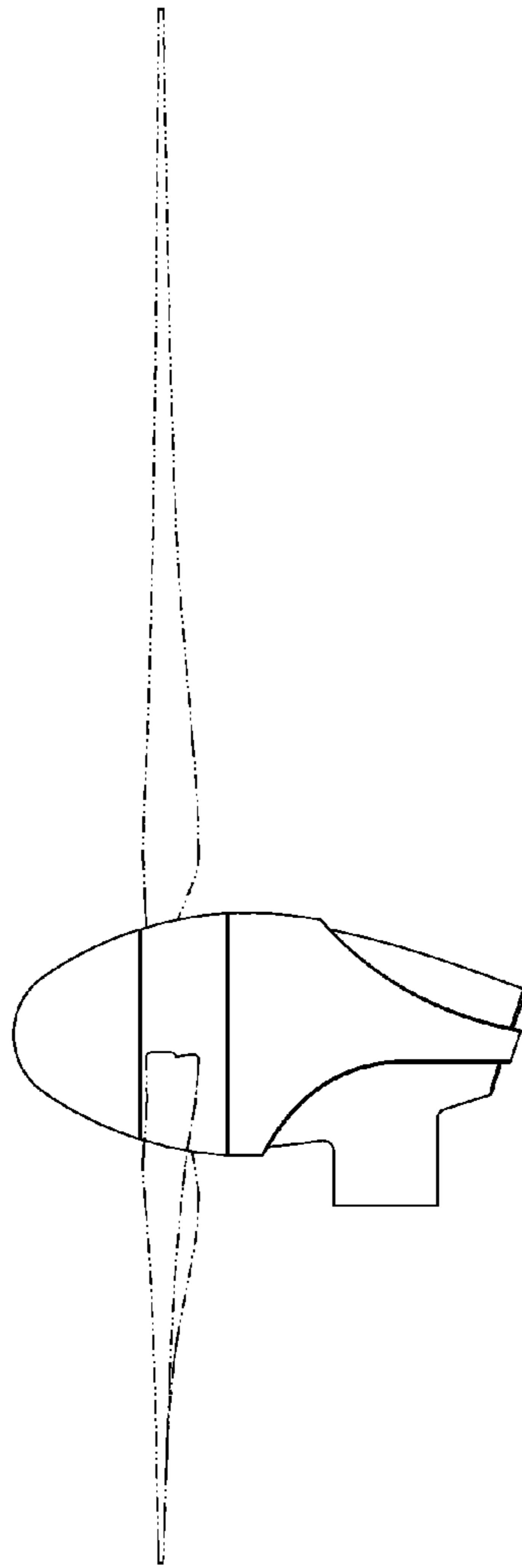


FIG.5

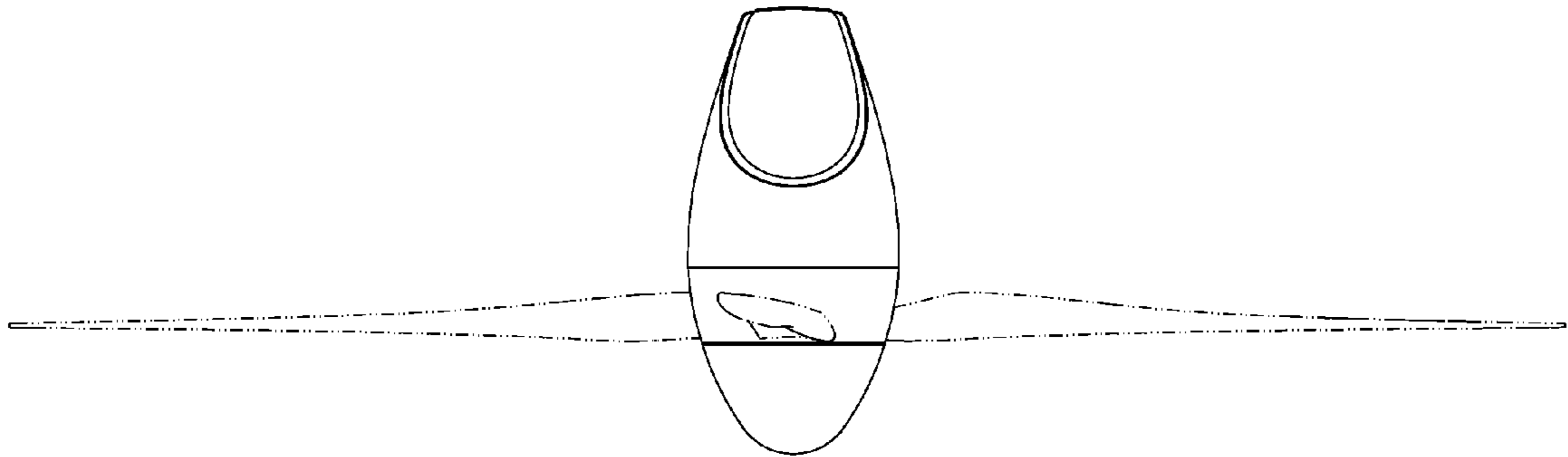


FIG. 6

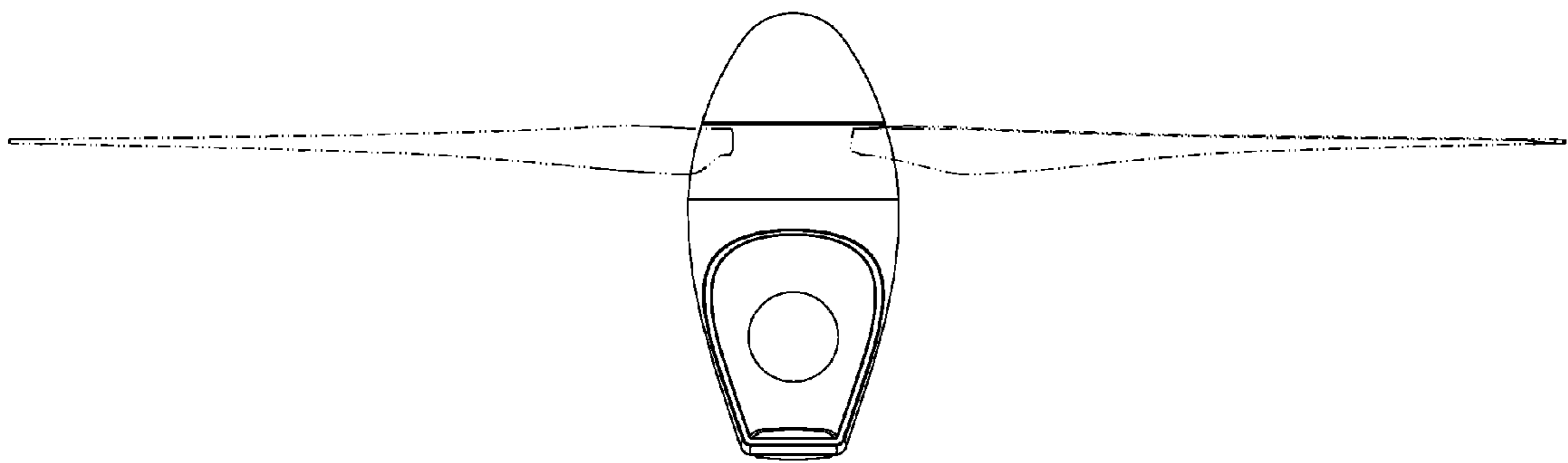


FIG. 7