



US00D695682S

(12) **United States Design Patent**
Nam et al.

(10) **Patent No.:** **US D695,682 S**
(45) **Date of Patent:** **** Dec. 17, 2013**

(54) **BATTERY PACK**

(75) Inventors: **Gueng Hyun Nam**, Gwangju (KR);
Seok Ho Kim, Gwangju (KR); **Tae Sin Kim**, Gwangju (KR); **Min Ho Jang**, Gwangju (KR)

(73) Assignee: **Global Battery Co., Ltd.**, Seoul (KR)

(**) Term: **14 Years**

(21) Appl. No.: **29/419,954**

(22) Filed: **May 3, 2012**

(30) **Foreign Application Priority Data**

Feb. 22, 2012 (KR) 30-2012-0008156

(51) **LOC (9) Cl.** **13-02**

(52) **U.S. Cl.**
USPC **D13/104**

(58) **Field of Classification Search**
USPC D13/102-106, 110, 118-119, 184;
429/96-100, 149, 163, 176, 187
See application file for complete search history.

(56) **References Cited**

U.S. PATENT DOCUMENTS

D517,479 S * 3/2006 Schemm D13/119
D517,988 S * 3/2006 Ihde et al. D13/119

D562,229 S * 2/2008 Peters D13/103
D589,443 S * 3/2009 Aglassinger D13/110
D604,696 S * 11/2009 Tasai D13/104
D606,033 S * 12/2009 Sonntag D13/184
D610,083 S * 2/2010 Chen et al. D13/104
D635,508 S * 4/2011 Seyama et al. D13/104
D640,190 S * 6/2011 Aglassinger D13/103
D640,191 S * 6/2011 Like et al. D13/104
D643,810 S * 8/2011 Qualls et al. D13/106
D643,811 S * 8/2011 Qualls et al. D13/106
D660,792 S * 5/2012 Inskeep D13/107

* cited by examiner

Primary Examiner — Rosemary K Tarcza

(74) *Attorney, Agent, or Firm* — The PL Law Group, PLLC

(57) **CLAIM**

The ornamental design for a battery pack, as shown and described.

DESCRIPTION

FIG. 1 is a perspective view of a battery pack showing my new design;
FIG. 2 is a front view thereof;
FIG. 3 is a rear view thereof;
FIG. 4 is a left side view thereof;
FIG. 5 is a right side view thereof;
FIG. 6 is a top plan view thereof; and,
FIG. 7 is a bottom plan view thereof.

1 Claim, 7 Drawing Sheets

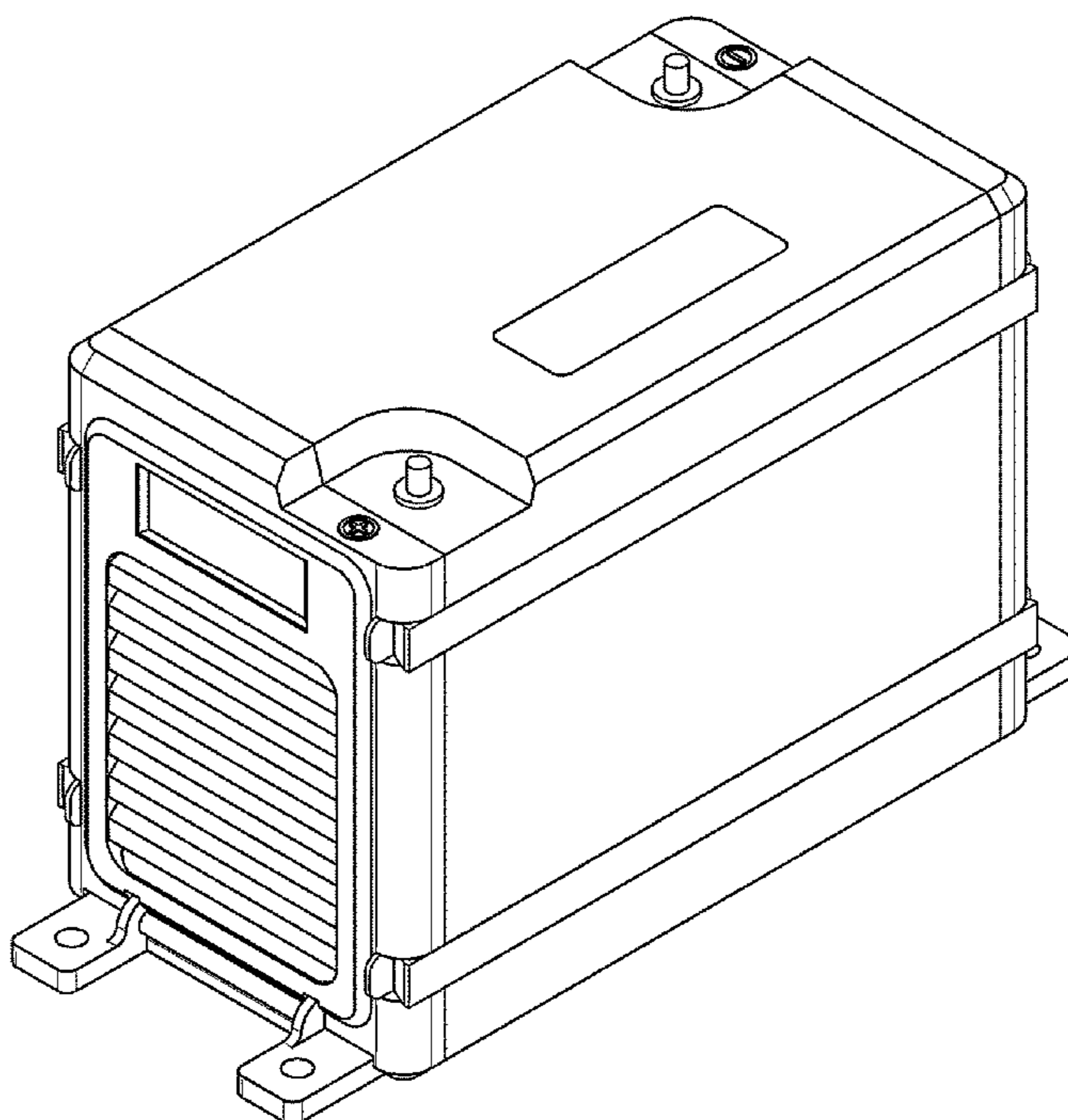


FIG. 1

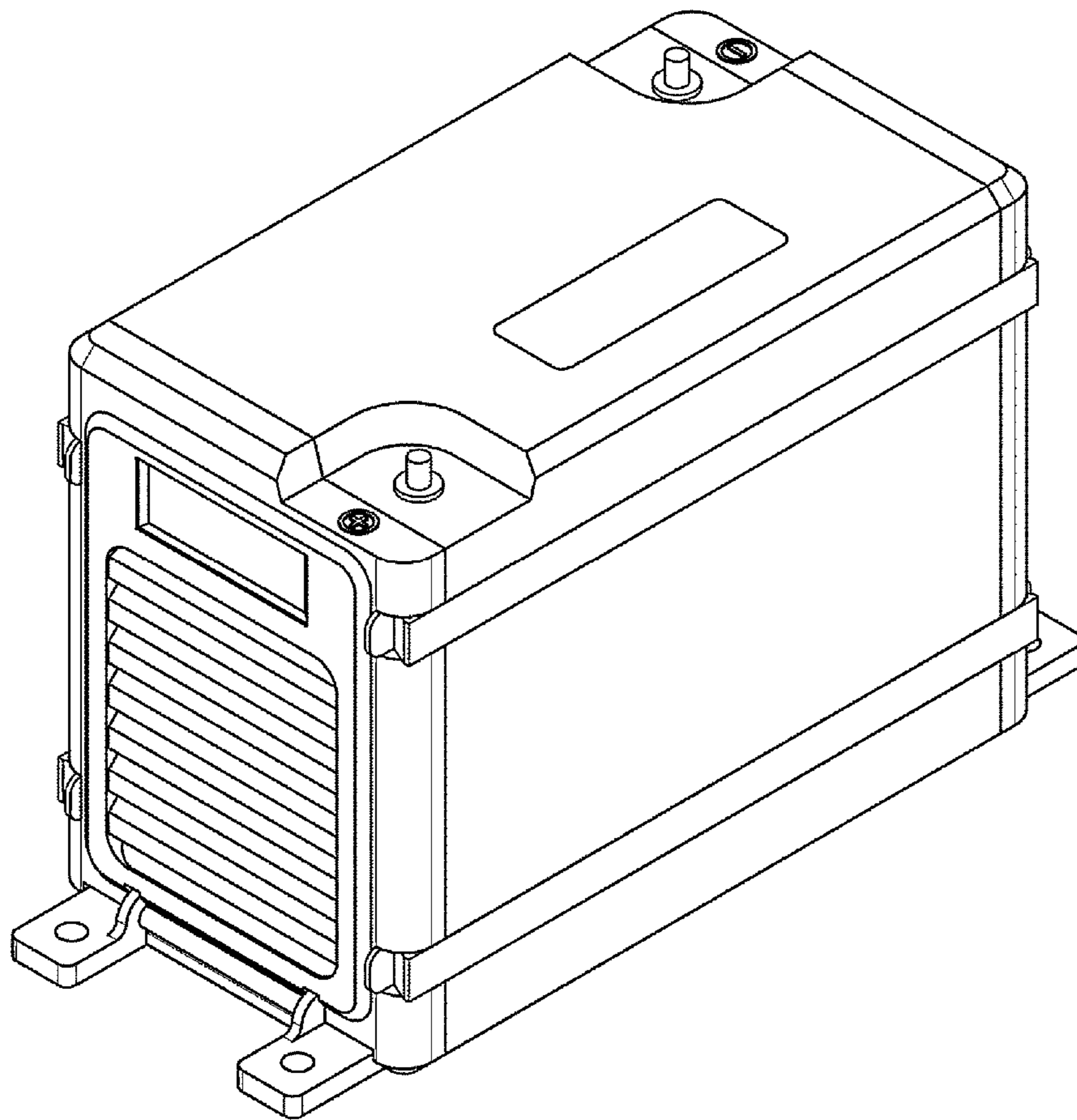


FIG. 2

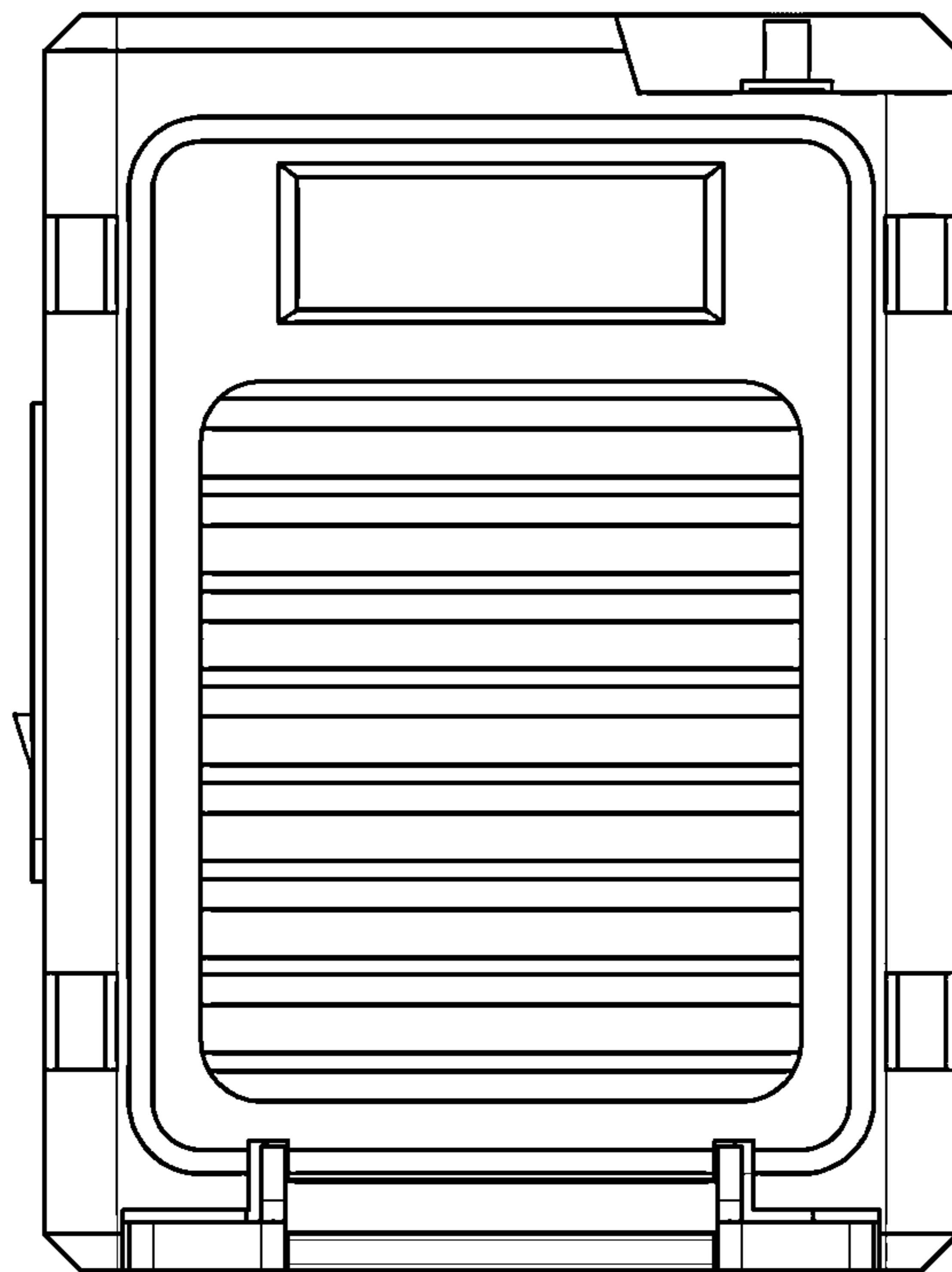


FIG. 3

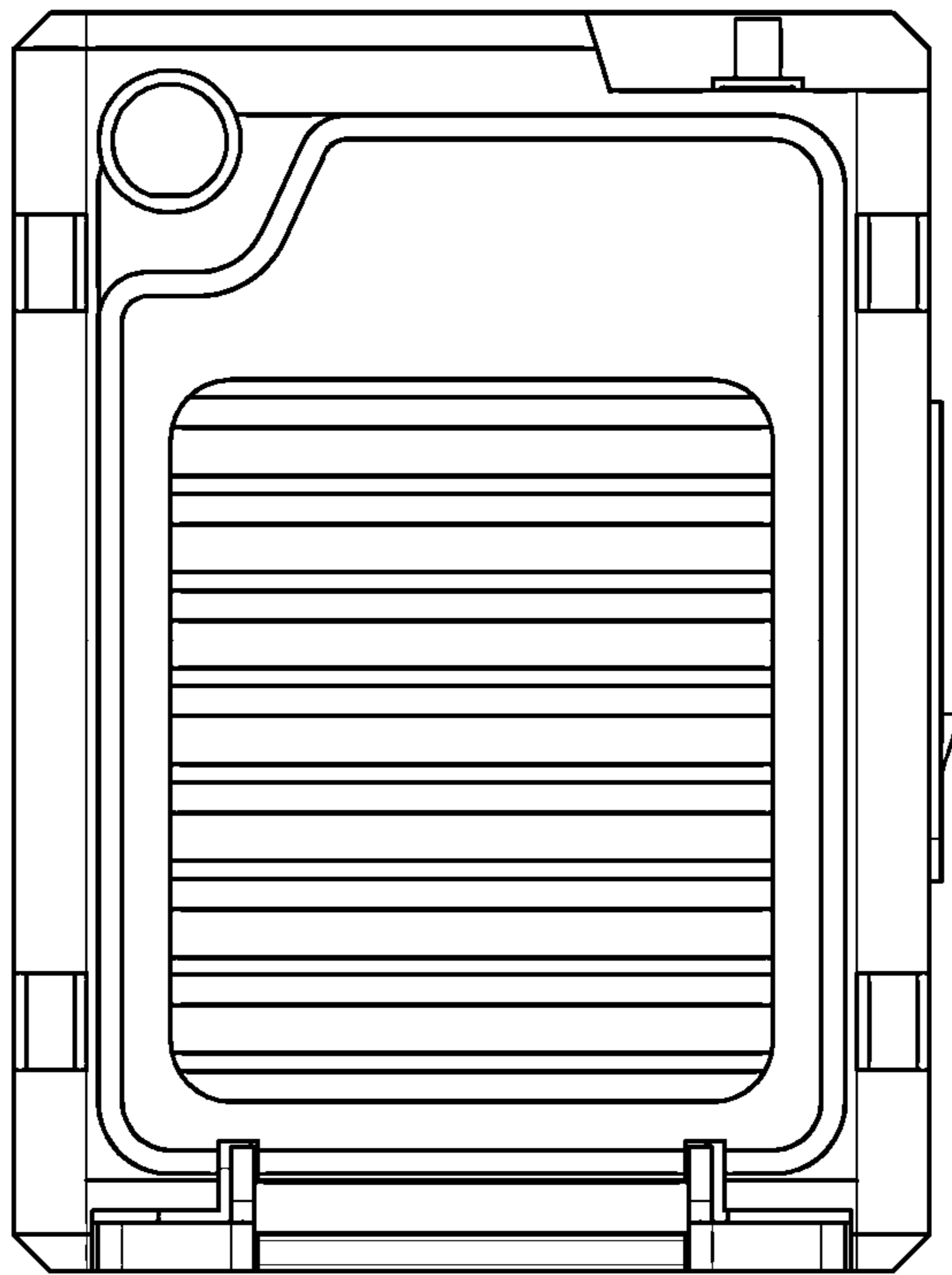


FIG. 4

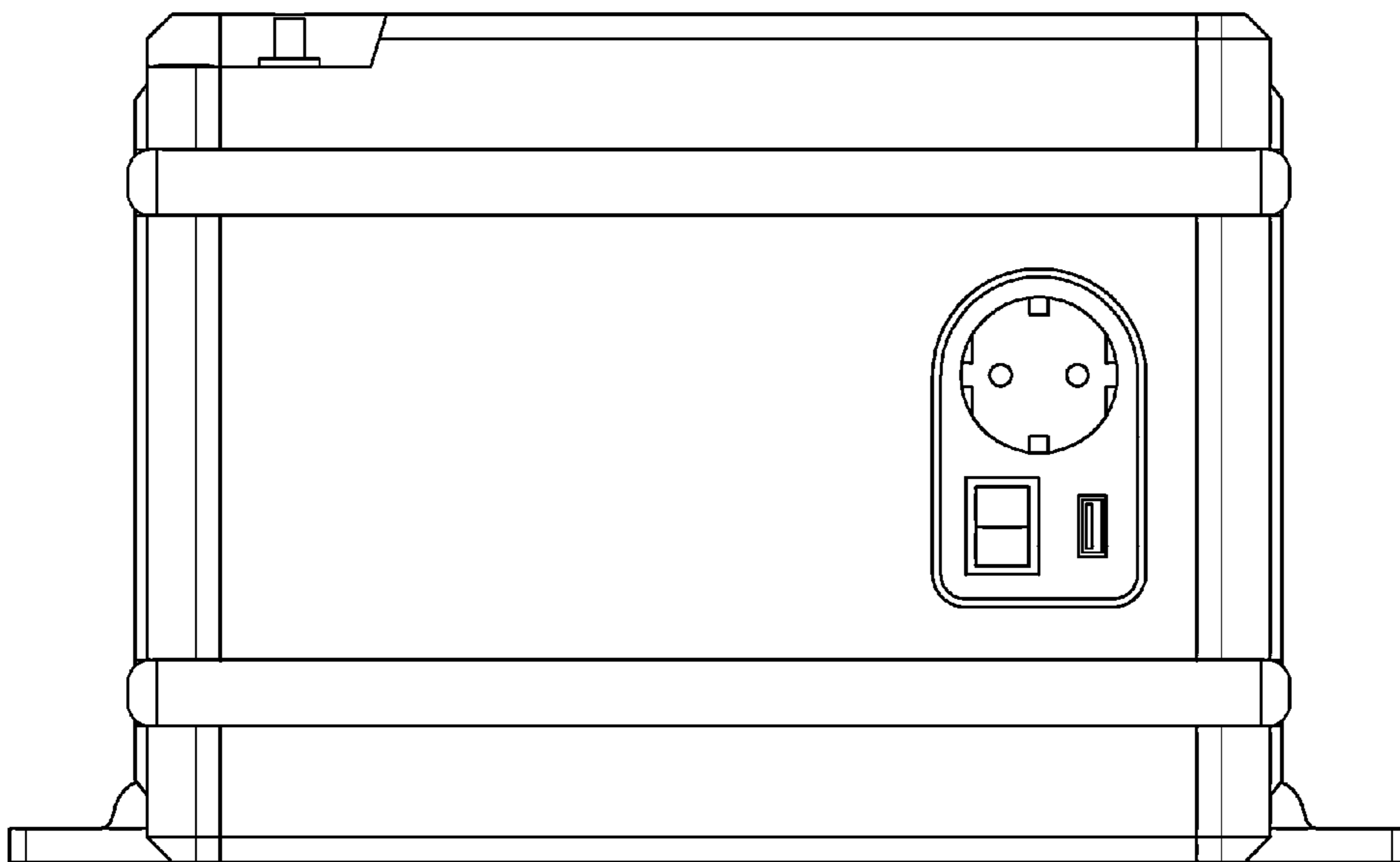


FIG. 5

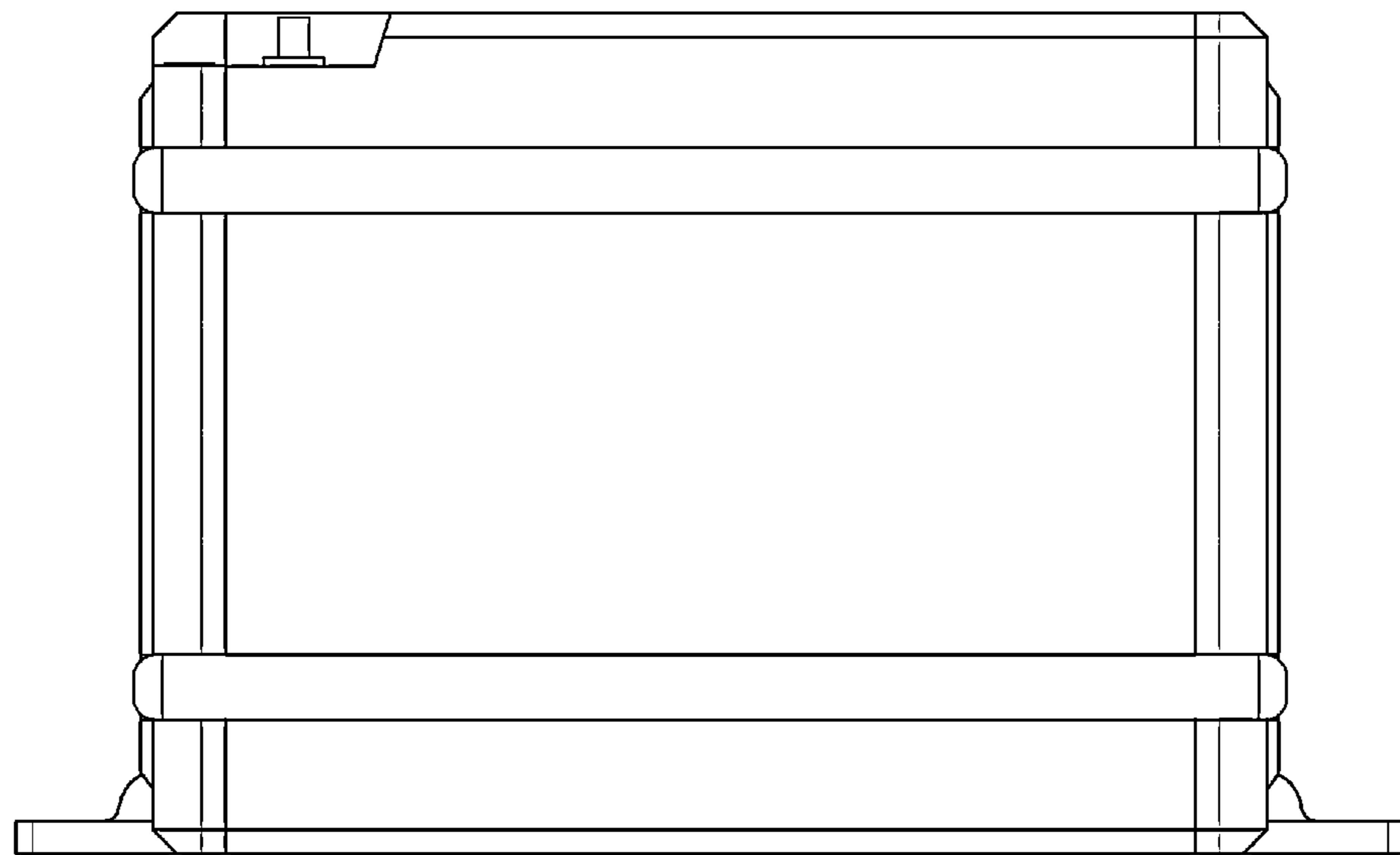


FIG. 6

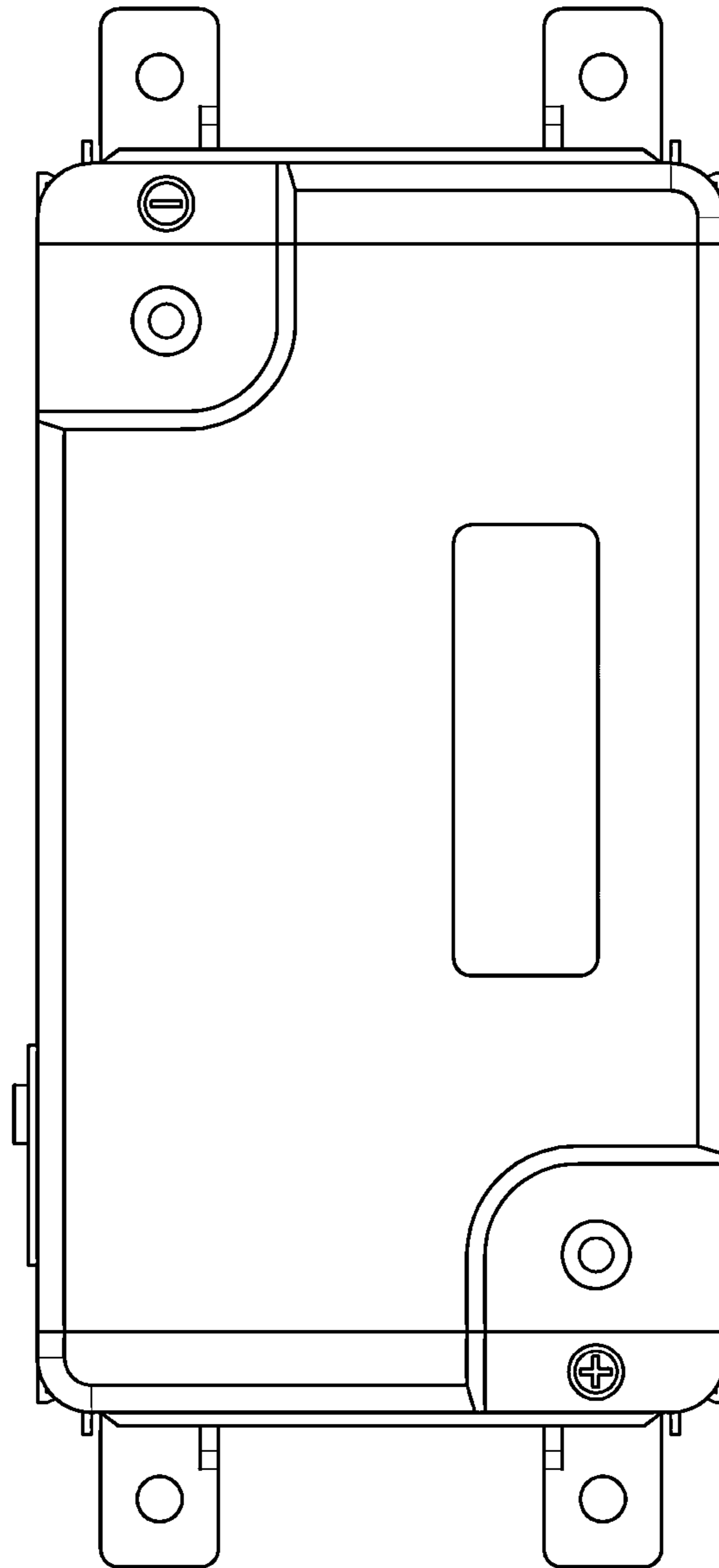


FIG. 7

