



US00D695681S

(12) **United States Design Patent**
Nam et al.

(10) **Patent No.:** **US D695,681 S**

(45) **Date of Patent:** **** Dec. 17, 2013**

(54) **BATTERY PACK**

(75) Inventors: **Gueng Hyun Nam**, Gwangju (KR);
Sang Min Jang, Gwangju (KR); **Dong**
Ho Baek, Gwangju (KR); **Min Ho Jang**,
Gwangju (KR)

(73) Assignee: **Global Battery Co., Ltd.**, Seoul (KR)

(**) Term: **14 Years**

(21) Appl. No.: **29/419,958**

(22) Filed: **May 3, 2012**

(30) **Foreign Application Priority Data**

Feb. 24, 2012 (KR) 30-2012-0008697

(51) **LOC (9) Cl.** **13-02**

(52) **U.S. Cl.**
USPC **D13/103**

(58) **Field of Classification Search**
USPC D13/102-106, 110, 118-119, 184;
429/96-100, 149, 163, 187
See application file for complete search history.

(56) **References Cited**

U.S. PATENT DOCUMENTS

D587,646 S * 3/2009 Ushijima et al. D13/103
D591,230 S * 4/2009 Tasai D13/103

D592,129 S * 5/2009 Masuda et al. D13/103
D642,978 S * 8/2011 Sato et al. D13/103
D644,176 S * 8/2011 Sato et al. D13/119
D645,813 S * 9/2011 Yamauchi et al. D13/103
D652,382 S * 1/2012 Yamauchi et al. D13/119
D664,917 S * 8/2012 Taguchi D13/103

* cited by examiner

Primary Examiner — Rosemary K Tarcza

(74) *Attorney, Agent, or Firm* — The PL Law Group, PLLC

(57) **CLAIM**

The ornamental design for a battery pack, as shown and described.

DESCRIPTION

FIG. 1 is a perspective view of a battery pack showing my new design;
FIG. 2 is a front view thereof;
FIG. 3 is a rear view thereof;
FIG. 4 is a left side view thereof;
FIG. 5 is a right side view thereof;
FIG. 6 is a top plan view thereof; and
FIG. 7 is a bottom plan view thereof; and
FIG. 8 is a perspective view showing an example of the usage of the battery pack in which a plurality of the battery packs are coupled to each other.

1 Claim, 7 Drawing Sheets

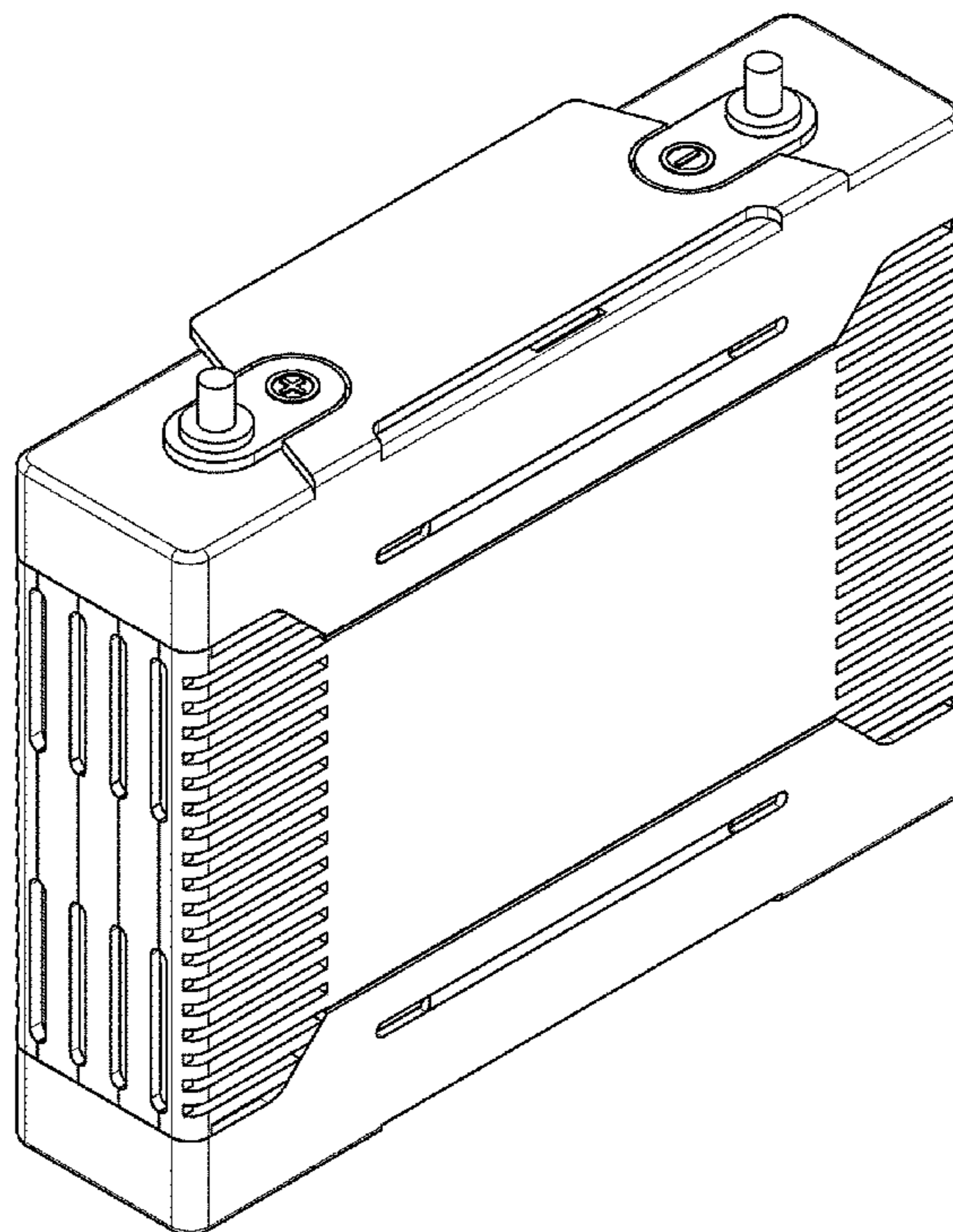


FIG. 1

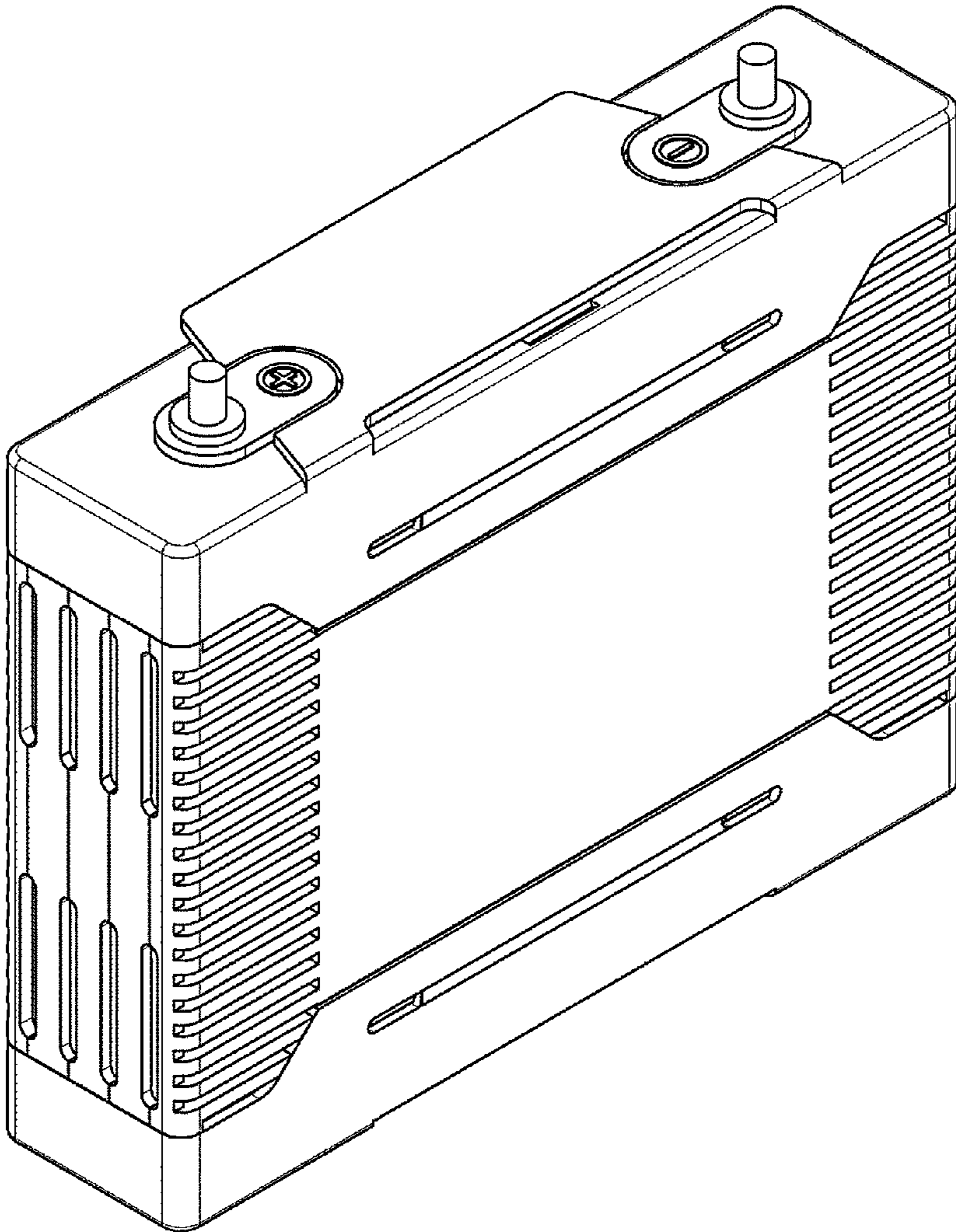


FIG. 2

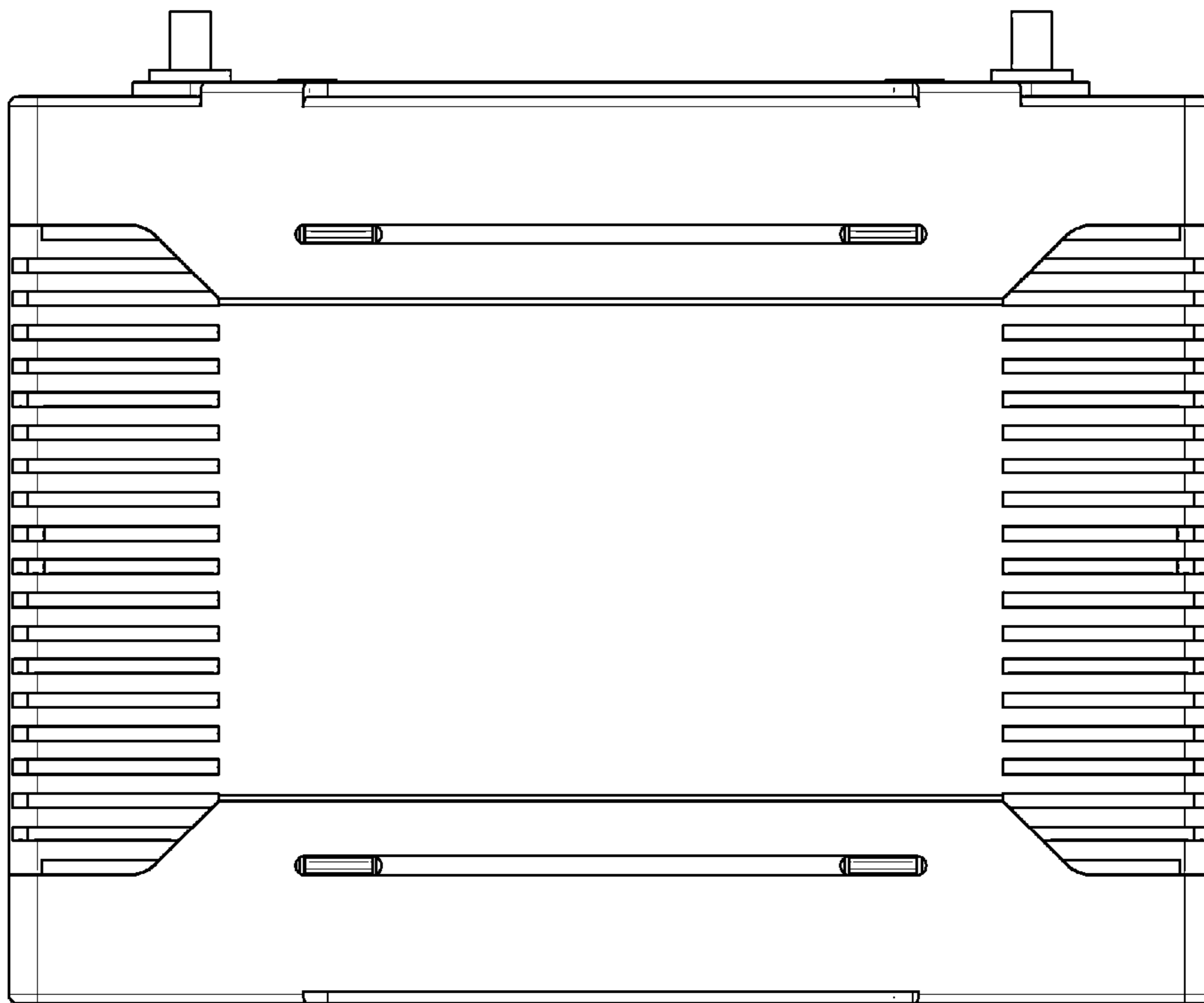


FIG. 3

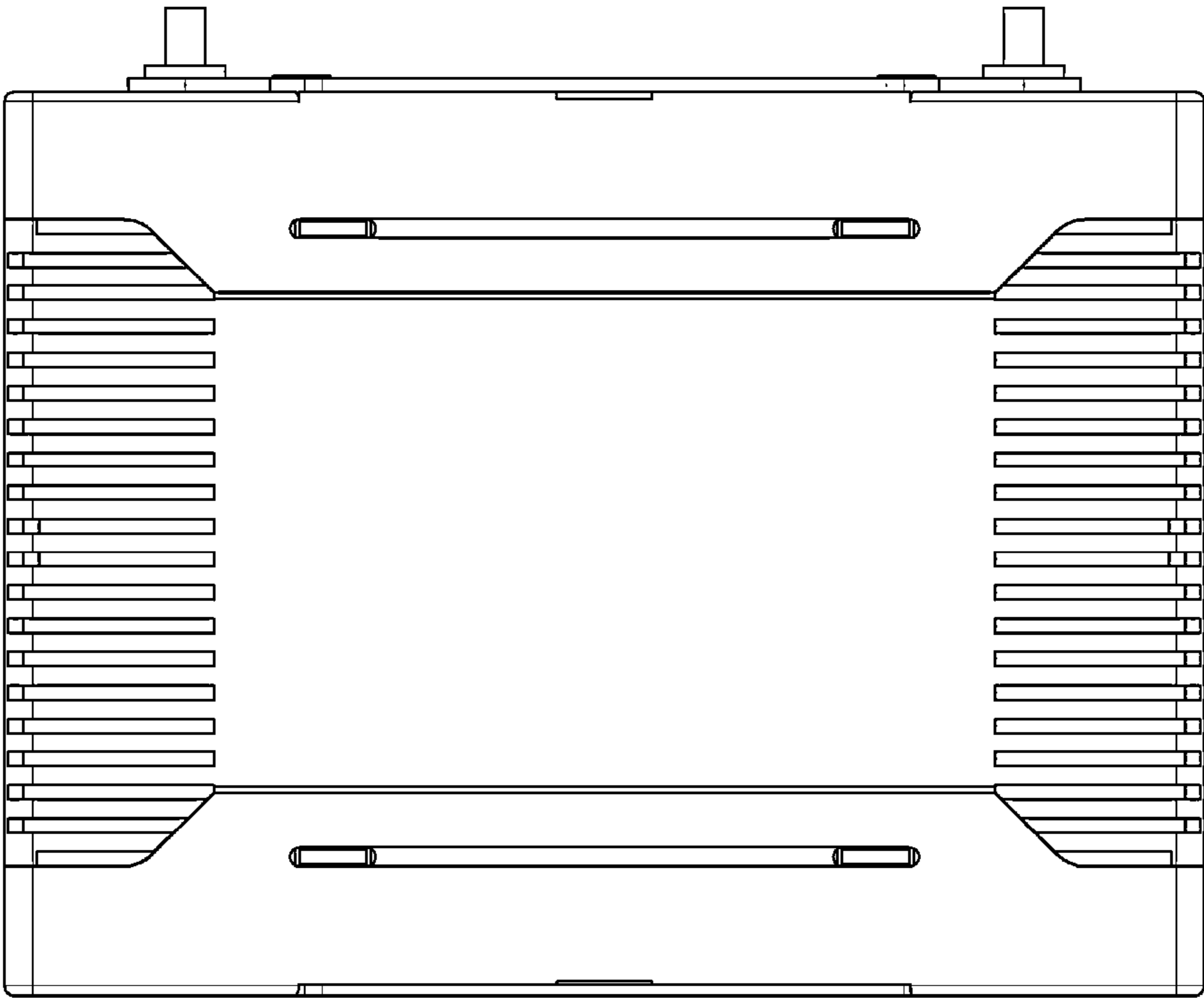


FIG. 4

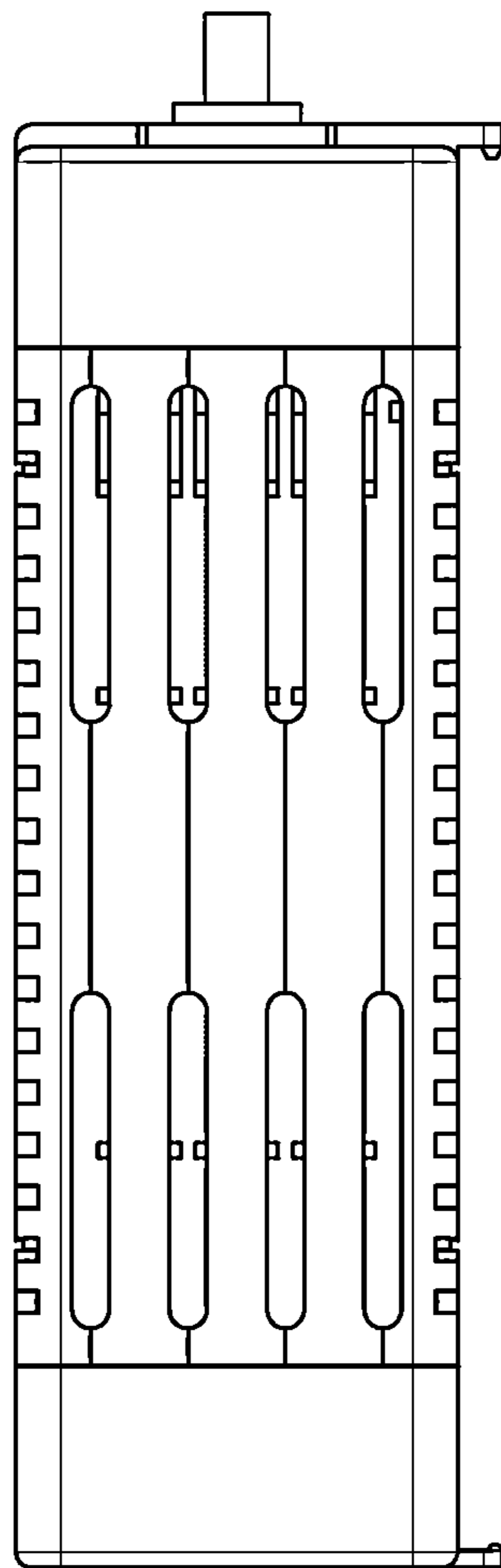


FIG. 5

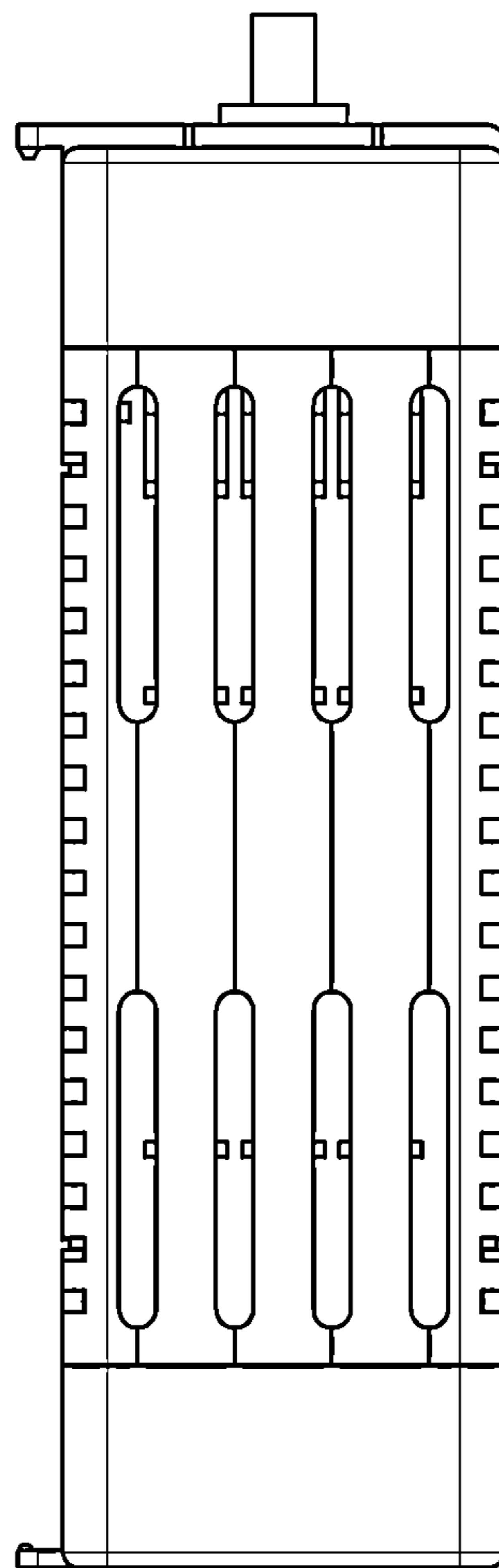


FIG. 6

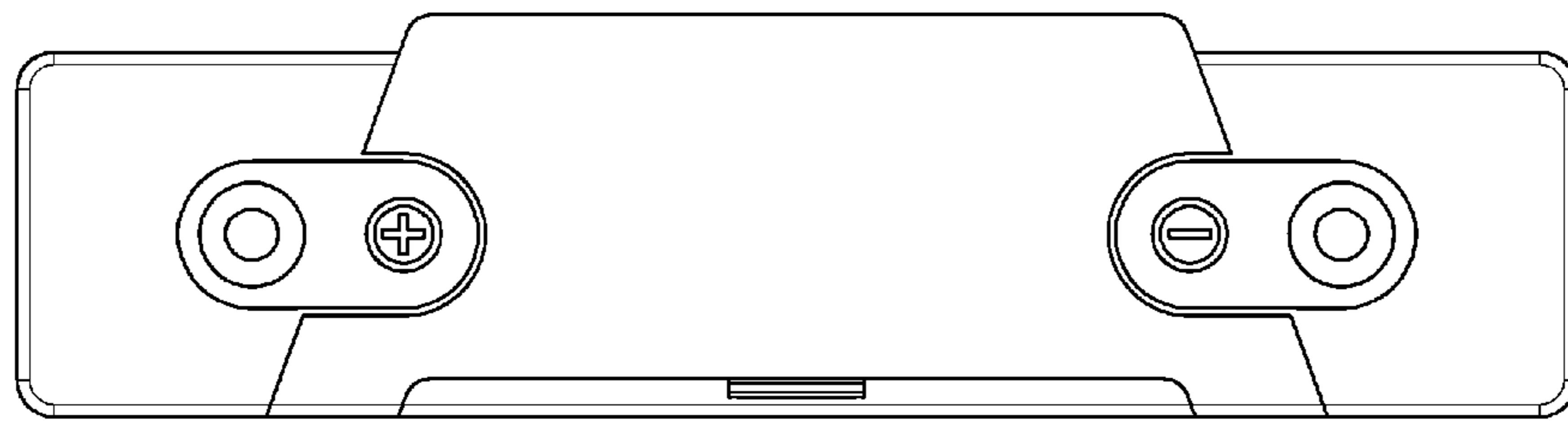


FIG. 7

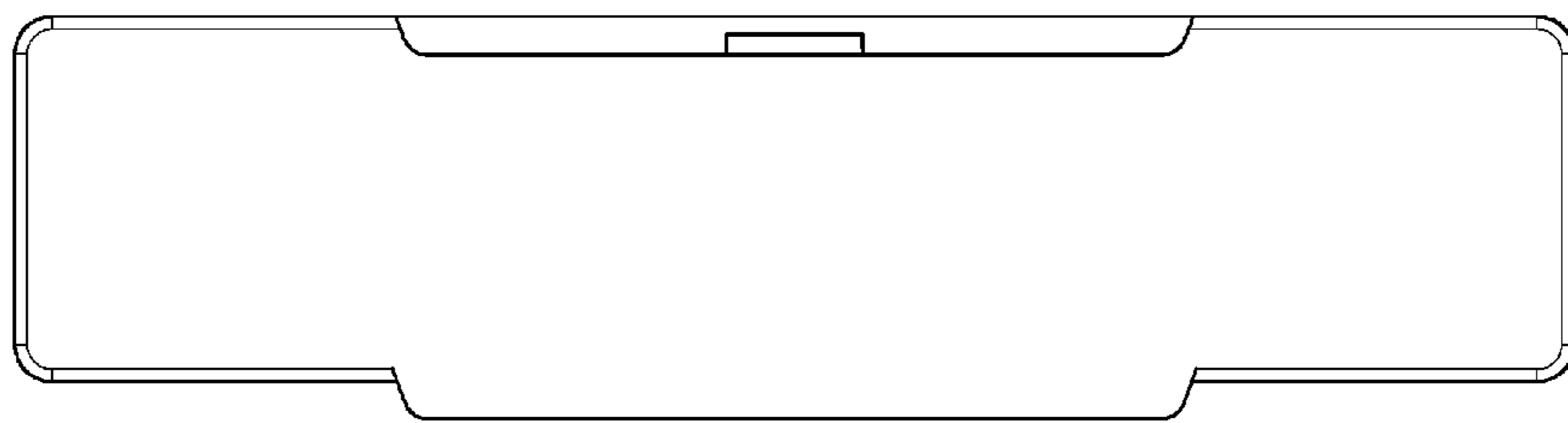


FIG. 8

