

US00D695680S

(12) **United States Design Patent**
Workman et al.

(10) **Patent No.:** **US D695,680 S**

(45) **Date of Patent:** **** Dec. 17, 2013**

- (54) **BATTERY PACK**
- (75) Inventors: **Robert Emmett Workman**, Morgan, UT (US); **Norm Krantz**, Logan, UT (US)
- (73) Assignee: **Goal Zero LLC**, Bluffdale, UT (US)
- (**) Term: **14 Years**
- (21) Appl. No.: **29/387,865**
- (22) Filed: **Mar. 18, 2011**
- (51) **LOC (9) Cl.** **13-02**
- (52) **U.S. Cl.**
USPC **D13/103; D13/106**
- (58) **Field of Classification Search**
USPC D13/102–108, 110, 118–121, 184, 199;
429/96–100, 149, 163, 176, 187
See application file for complete search history.

- D517,987 S * 3/2006 Castagnola et al. D13/119
- D545,268 S 6/2007 Shiu
- D555,586 S 11/2007 McConnell
- D559,175 S 1/2008 Houghton
- 7,390,590 B2 6/2008 Wani et al.
- D579,870 S 11/2008 Dunbar et al.
- D581,867 S 12/2008 Crawford et al.
- D585,822 S * 2/2009 Hsu D13/107
- D591,232 S 4/2009 Zhuang
- D593,488 S 6/2009 Harrison et al.
- D599,733 S 9/2009 Mizuta et al.
- D600,000 S 9/2009 Horito et al.
- D603,789 S 11/2009 Hallee et al.
- D609,634 S * 2/2010 Daniels et al. D13/107
- D629,746 S 12/2010 Workman et al.
- D634,706 S * 3/2011 Takeno et al. D13/107

(Continued)

Primary Examiner — Rosemary K Tarcza
(74) *Attorney, Agent, or Firm* — Foley & Lardner LLP

(57) **CLAIM**
We claim the ornamental design for a battery pack, as shown and described.

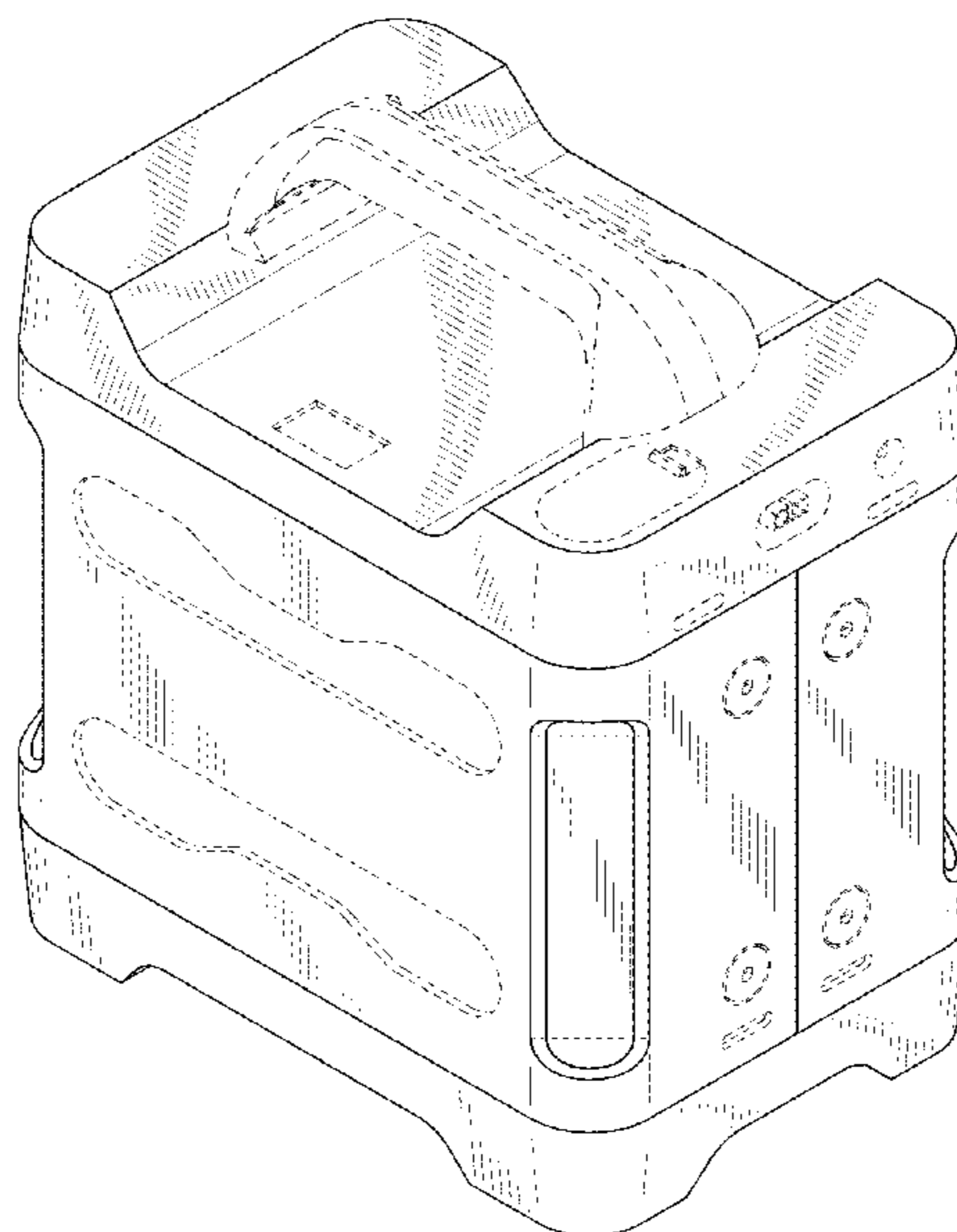
(56) **References Cited**
U.S. PATENT DOCUMENTS

- D292,975 S 12/1987 Kobayashi
- 4,988,584 A 1/1991 Shaper
- D345,727 S 4/1994 Flowers et al.
- D354,729 S 1/1995 Poon
- D363,937 S 11/1995 Marks et al.
- D393,446 S 4/1998 Bellofatto et al.
- D400,160 S 10/1998 Nagano
- D401,551 S * 11/1998 Kim D13/106
- D403,660 S 1/1999 Poon
- D420,324 S * 2/2000 Wan D13/107
- D430,865 S 9/2000 Cosley et al.
- D444,125 S 6/2001 Shy
- D458,900 S * 6/2002 Carter et al. D13/106
- D509,181 S 9/2005 Nellenbach et al.
- D516,505 S 3/2006 Niitsuma et al.

DESCRIPTION

FIG. 1 is a front perspective view of a battery pack; FIG. 2 is a front view of the embodiment of FIG. 1; FIG. 3 is a rear view of the embodiment of FIG. 1; FIG. 4 is a left side view of the embodiment of FIG. 1; FIG. 5 is a right side view of the embodiment of FIG. 1; FIG. 6 is a top view of the embodiment of FIG. 1; and, FIG. 7 is a bottom view of the embodiment of FIG. 1. The ornamental design which is claimed is shown in solid lines in the figures. The broken lines in the figures illustrate portions of the battery pack which form no part of the claimed design.

1 Claim, 6 Drawing Sheets



US D695,680 S

Page 2

(56)

References Cited

U.S. PATENT DOCUMENTS

D642,119 S *	7/2011	Baetica et al.	D13/103	
D651,562 S *	1/2012	Takeno et al.	D13/107	* cited by examiner
D664,499 S *	7/2012	Workman et al.	D13/107	
D674,747 S *	1/2013	Nierescher et al.	D13/106	
D675,562 S *	2/2013	Qualls et al.	D13/106	

FIGURE 1

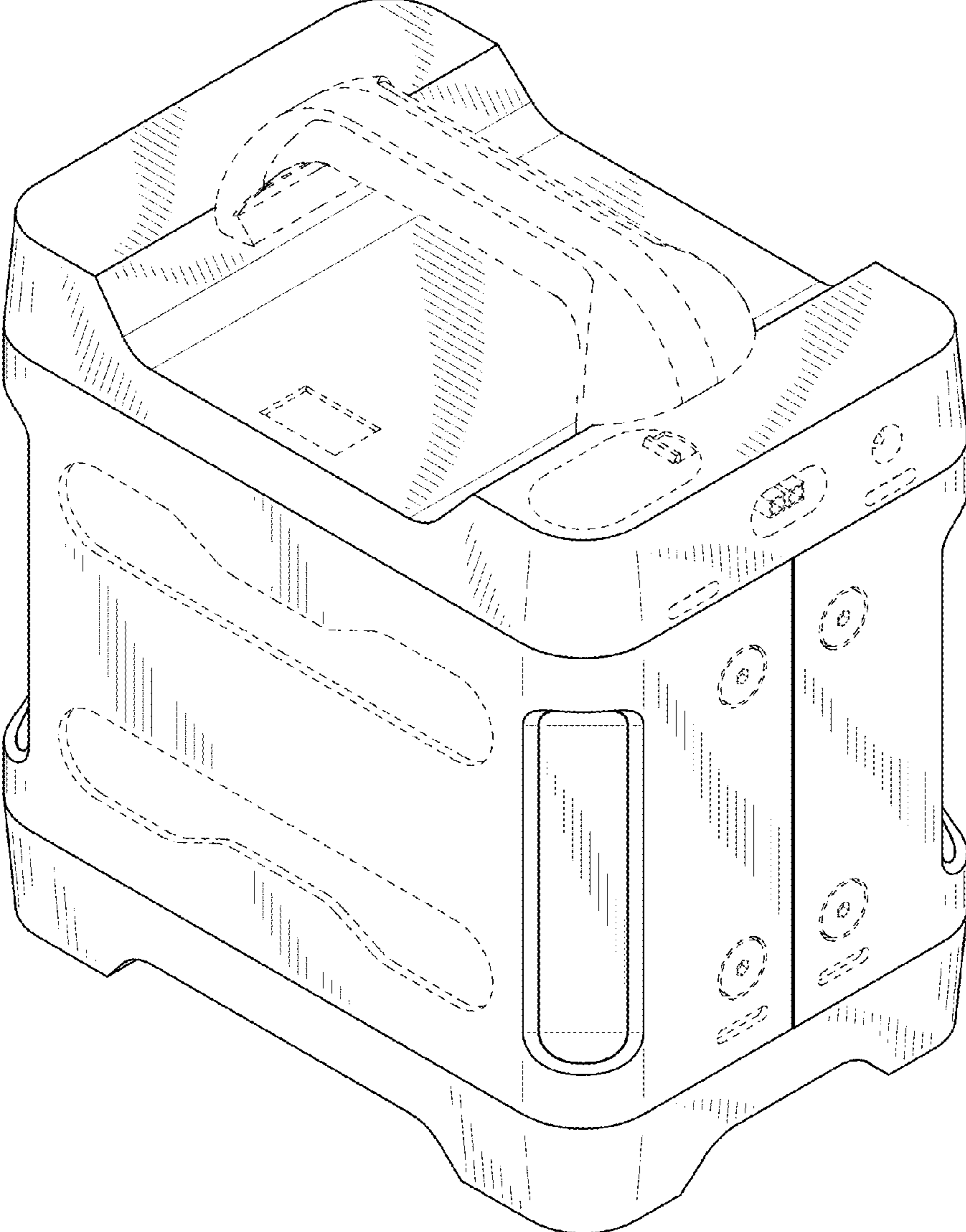


FIGURE 2

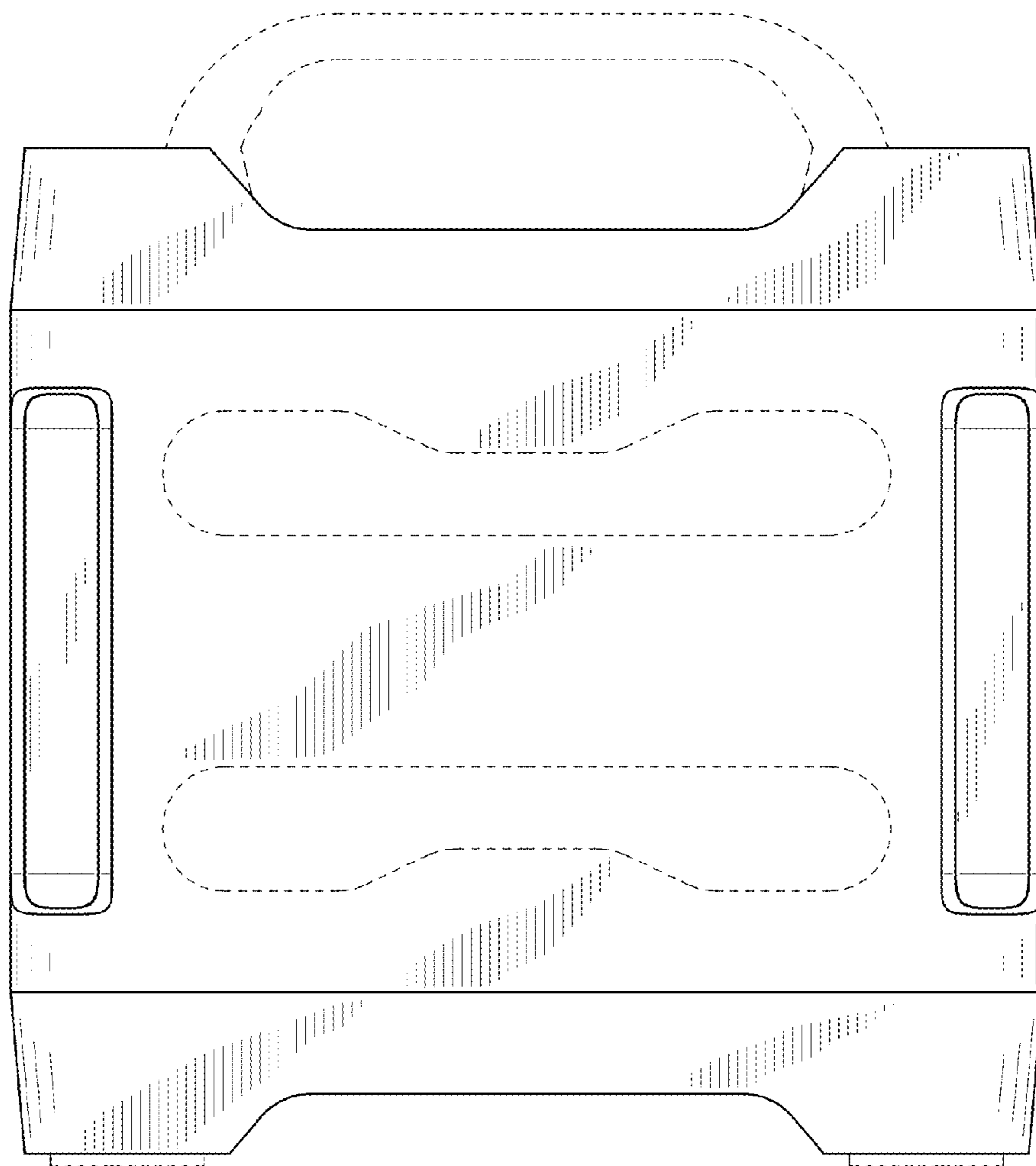


FIGURE 3

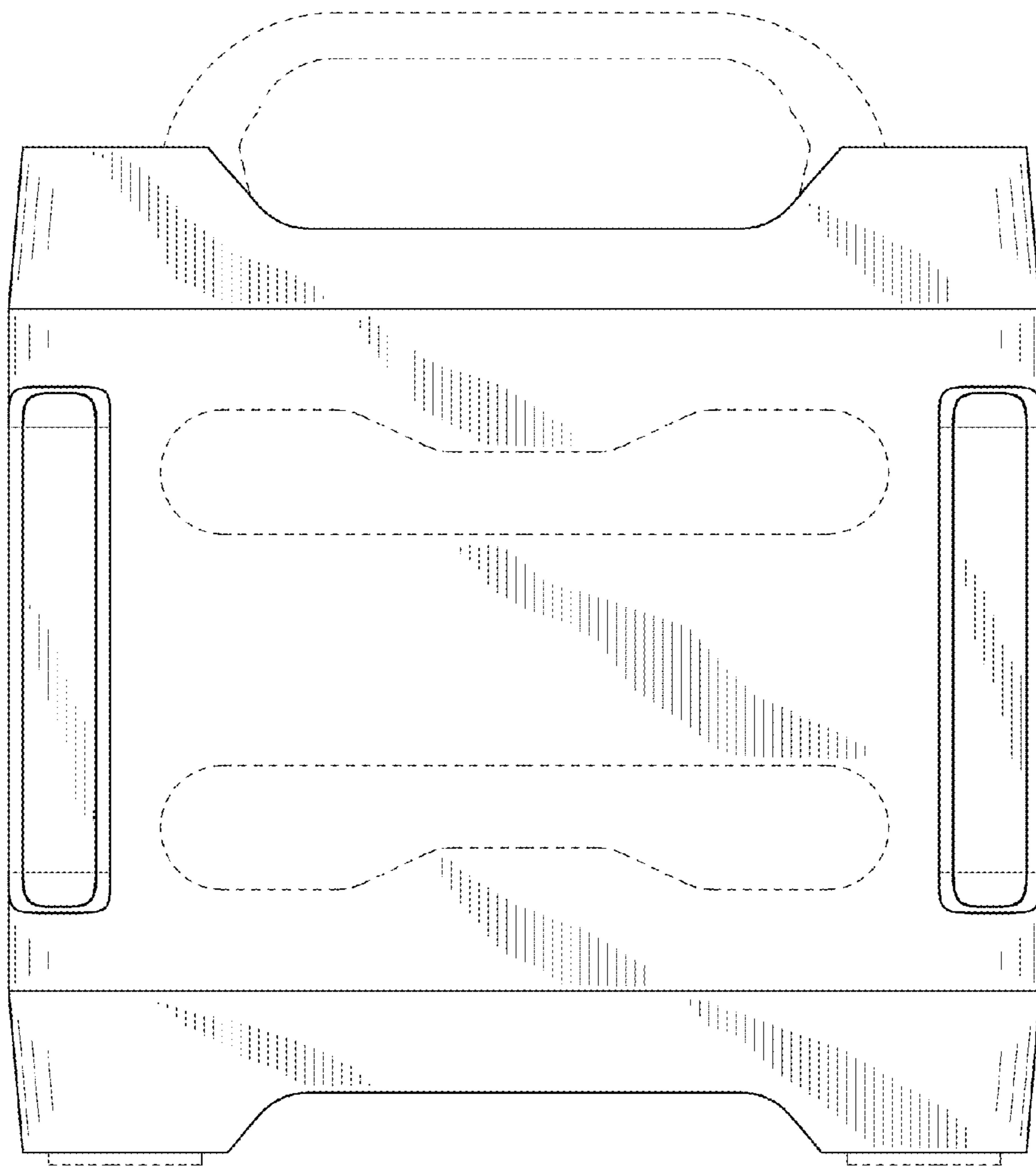


FIGURE 4

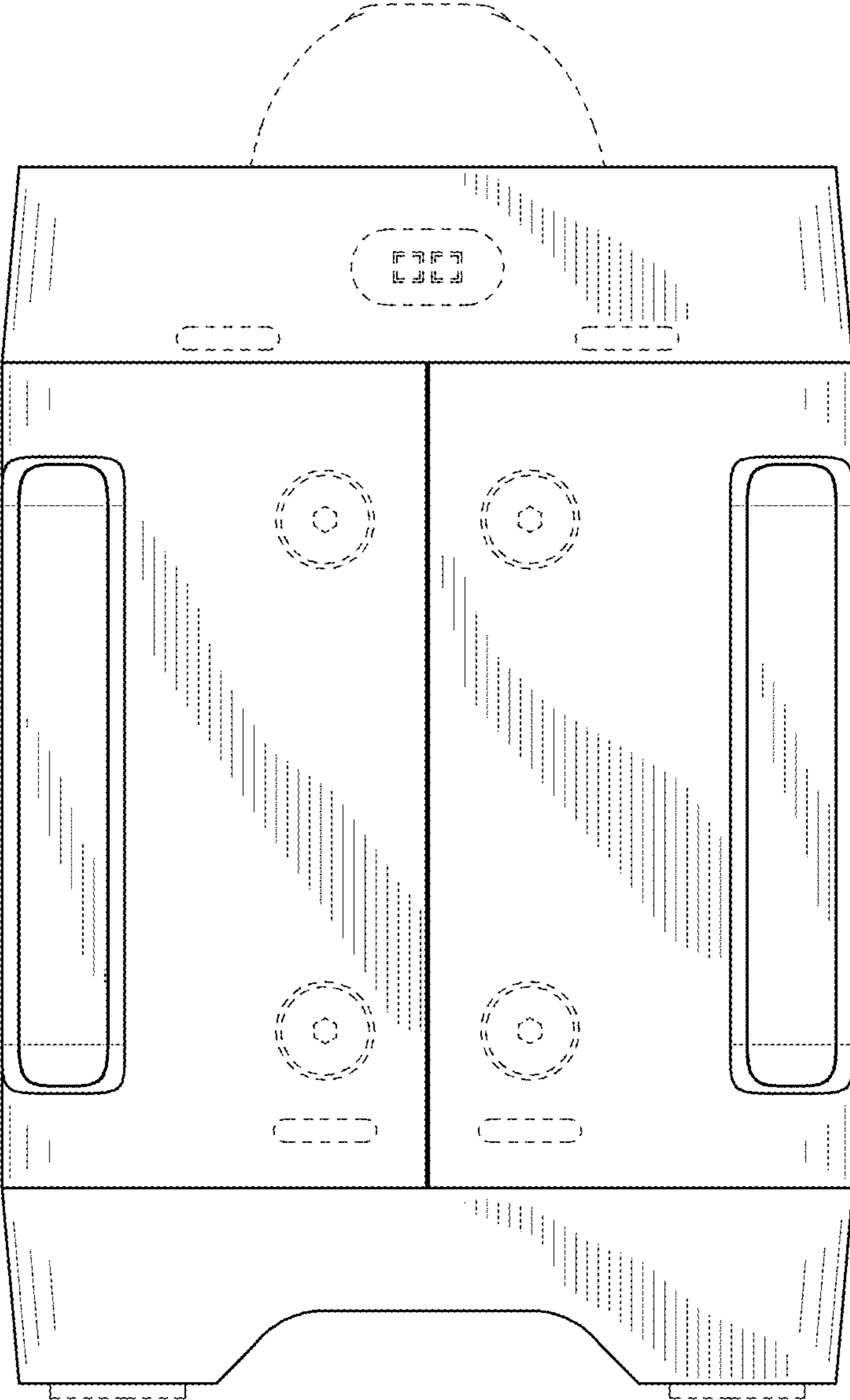


FIGURE 5

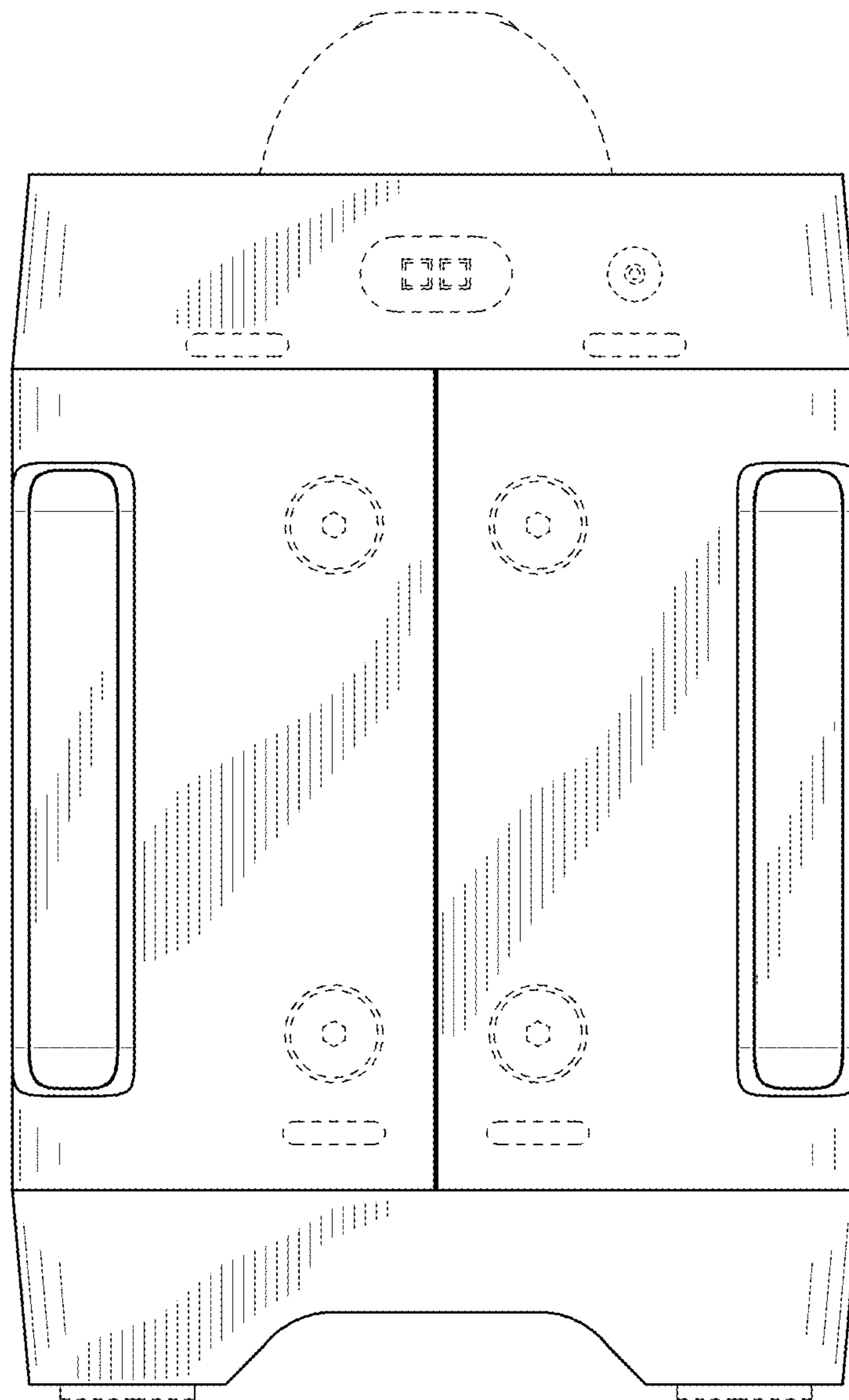


FIGURE 6

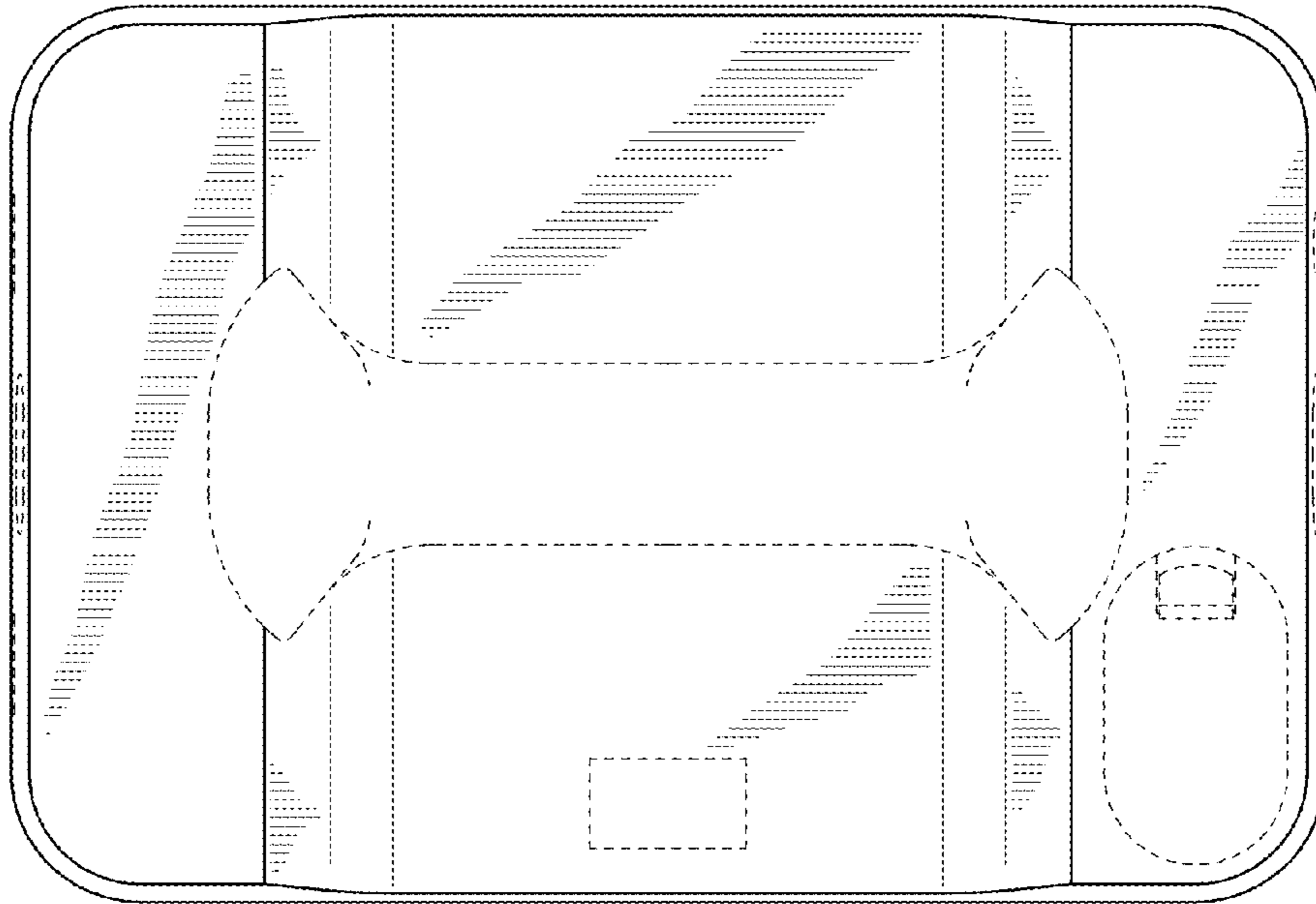


FIGURE 7

