

US00D695678S

(12) **United States Design Patent**  
**Häberlein**

(10) **Patent No.:** **US D695,678 S**

(45) **Date of Patent:** **\*\* Dec. 17, 2013**

(54) **PV PANEL STACKER**

(75) Inventor: **Joachim Häberlein**, Pfungstadt (DE)

(73) Assignee: **Ulla Haberlein-Lehr**, Pfungstadt (DE)

(\*\*) Term: **14 Years**

(21) Appl. No.: **29/403,774**

(22) Filed: **Oct. 11, 2011**

**Related U.S. Application Data**

(63) Continuation of application No. 11/182,939, filed on Jul. 12, 2005, now abandoned.

(51) **LOC (9) Cl.** ..... **13-02**

(52) **U.S. Cl.**  
USPC ..... **D13/102**

(58) **Field of Classification Search**  
USPC ..... D13/102, 118, 184, 199; D8/349, 354, D8/355, 356; D25/119, 123, 124, 125; 52/173.3, 460; 126/573, 580; 136/206, 136/244–251, 256, 291, 292

See application file for complete search history.

(56) **References Cited**

**U.S. PATENT DOCUMENTS**

3,049,260	A	8/1962	Stone	
4,131,111	A *	12/1978	Hopper	126/710
4,239,555	A *	12/1980	Scharlack et al.	136/251
D270,660	S *	9/1983	Ort	D13/102
5,014,163	A	5/1991	Lin	
5,677,830	A	10/1997	Nogas et al.	

6,543,724	B1	4/2003	Barnett	
D547,262	S *	7/2007	Ullman	D13/102
D564,958	S *	3/2008	Almy et al.	D13/102
7,875,792	B2 *	1/2011	Paul	136/246
2003/0116185	A1	6/2003	Oswald	
2004/0262194	A1	12/2004	Hightower	
2006/0243636	A1	11/2006	Robichaud	
2009/0019796	A1 *	1/2009	Liebendorfer	52/173.3

**FOREIGN PATENT DOCUMENTS**

DE	3701293	4/1988
EP	0545563	6/1993
JP	77901980	1/1980
JP	200079961	3/2000
JP	2000203684	7/2000
JP	200131215	2/2001

\* cited by examiner

*Primary Examiner* — Derrick Holland

(74) *Attorney, Agent, or Firm* — Price Heneveld LLP

(57) **CLAIM**

The ornamental design for a PV panel stacker, as shown and described.

**DESCRIPTION**

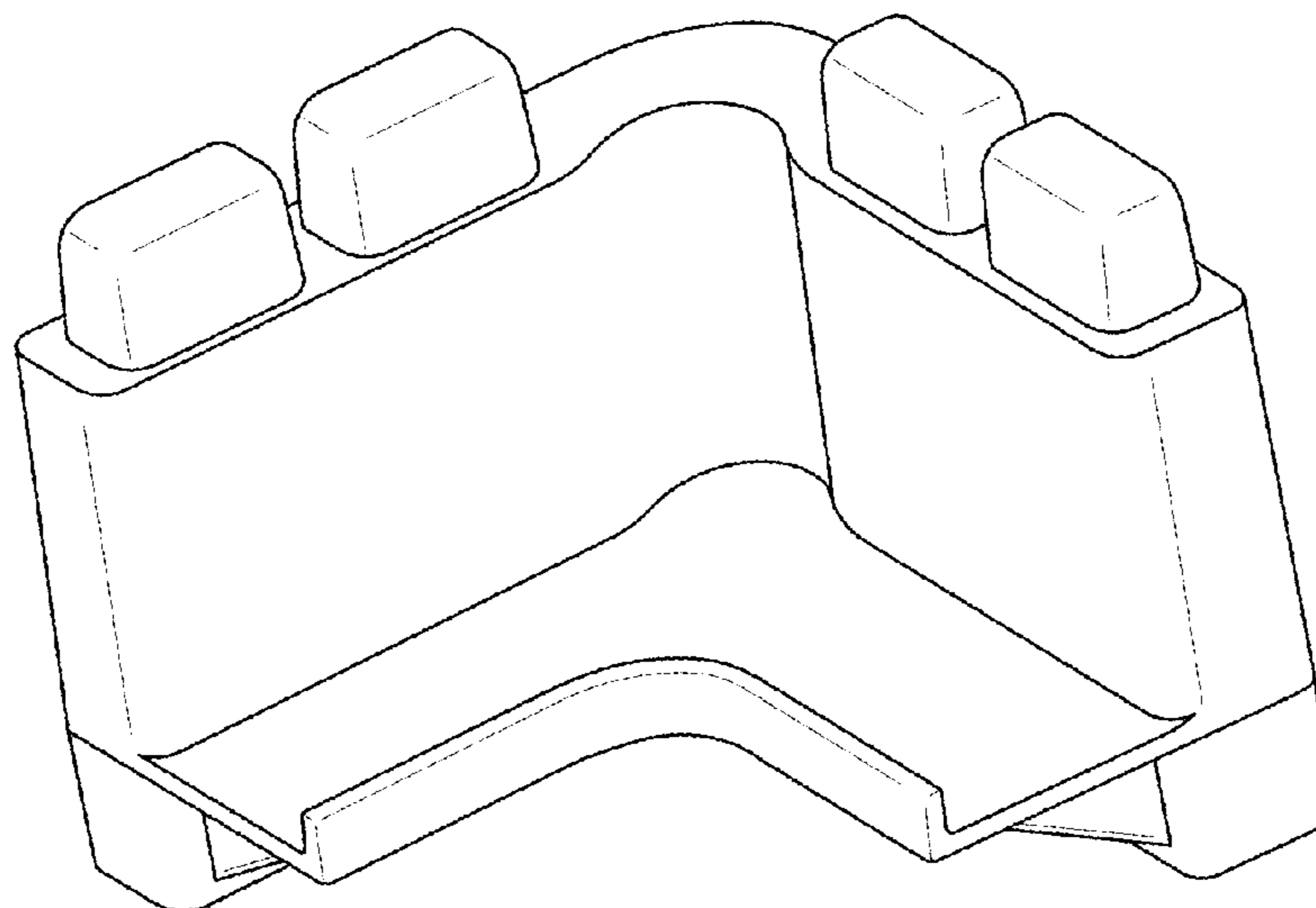
FIG. 1 is a perspective view of a PV panel stacker, showing my new design, taken from a lower portion thereof;

FIG. 2 is a perspective view, taken from an upper portion thereof; and,

FIG. 3 is a perspective view thereof, shown in environmental use.

The broken lines shown represent unclaimed subject matter and form no part of the claimed design.

**1 Claim, 2 Drawing Sheets**



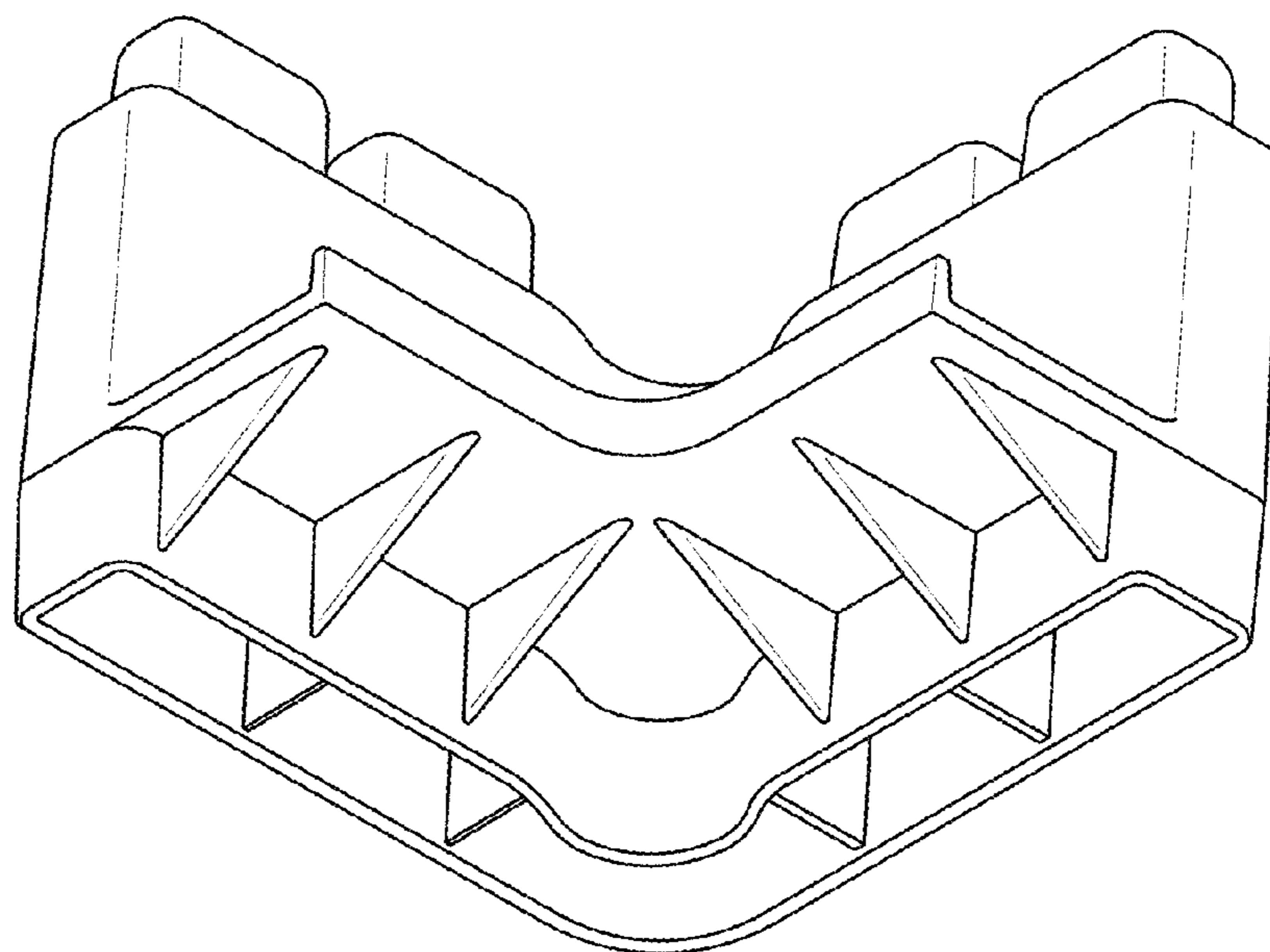


FIG. 1

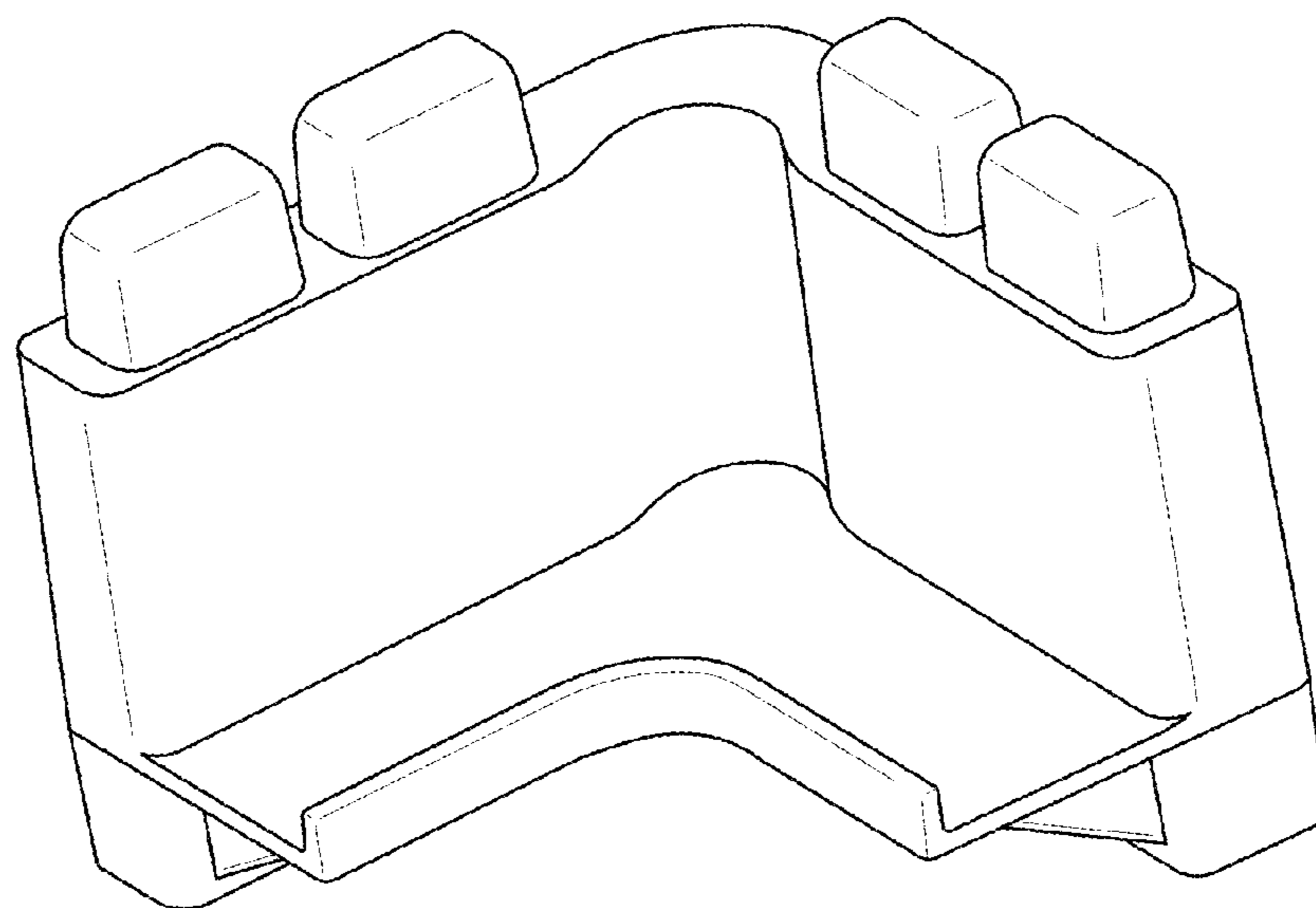


FIG. 2

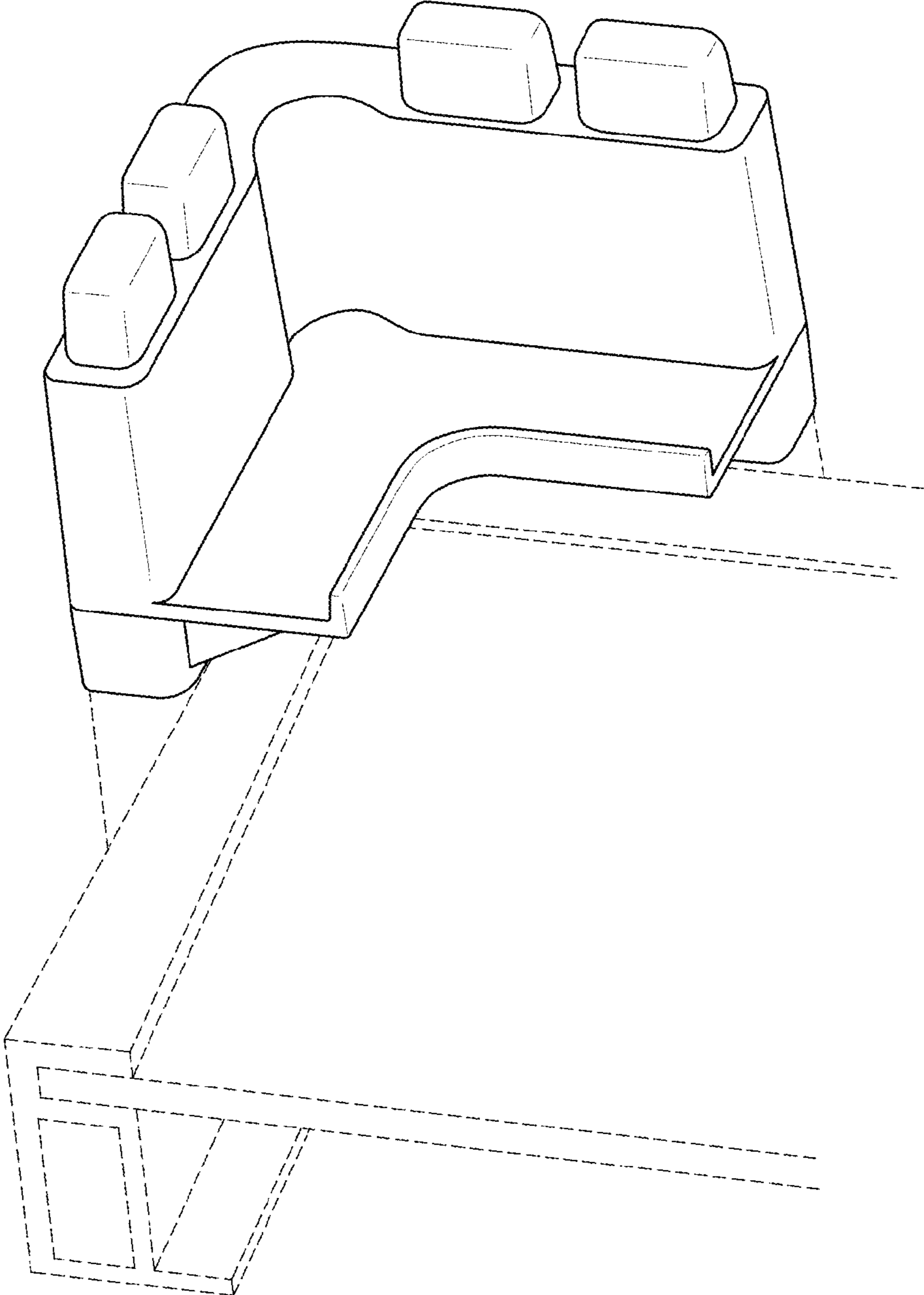


FIG. 3