

US00D695677S

(12) **United States Design Patent**
Ales

(10) **Patent No.:** **US D695,677 S**

(45) **Date of Patent:** **** Dec. 17, 2013**

(54) **REACTOR VESSEL**

(75) Inventor: **Mathew W. Ales**, Forest, VA (US)

(73) Assignee: **Babcock & Wilcox Nuclear Energy, Inc.**, Lynchburg, VA (US)

(**) Term: **14 Years**

(21) Appl. No.: **29/386,966**

(22) Filed: **Mar. 7, 2011**

(51) **LOC (9) Cl.** **13-02**

(52) **U.S. Cl.**
USPC **D13/101**

(58) **Field of Classification Search**
USPC D13/101, 184, 199; 376/220, 228, 327,
376/347, 384, 389; 422/129, 139, 140, 141,
422/145; 976/DIG. 168, DIG. 180–DIG. 185,
976/DIG. 265; 60/508
See application file for complete search history.

(56) **References Cited**

U.S. PATENT DOCUMENTS

3,227,621 A * 1/1966 Hargo et al. 376/361
3,775,250 A * 11/1973 Scholz et al. 376/293

T942,002 I4 * 1/1976 Roman et al. 376/233
4,057,163 A * 11/1977 Widart et al. 376/294
4,518,560 A * 5/1985 Takaku et al. 376/245
4,973,459 A * 11/1990 Lippert et al. 423/244.01
5,533,074 A * 7/1996 Mansell 376/258
2010/0316181 A1* 12/2010 Thome et al. 376/372

* cited by examiner

Primary Examiner — Derrick Holland

Assistant Examiner — Lauren Calve

(74) *Attorney, Agent, or Firm* — Michael J. Seymour; Eric Marich

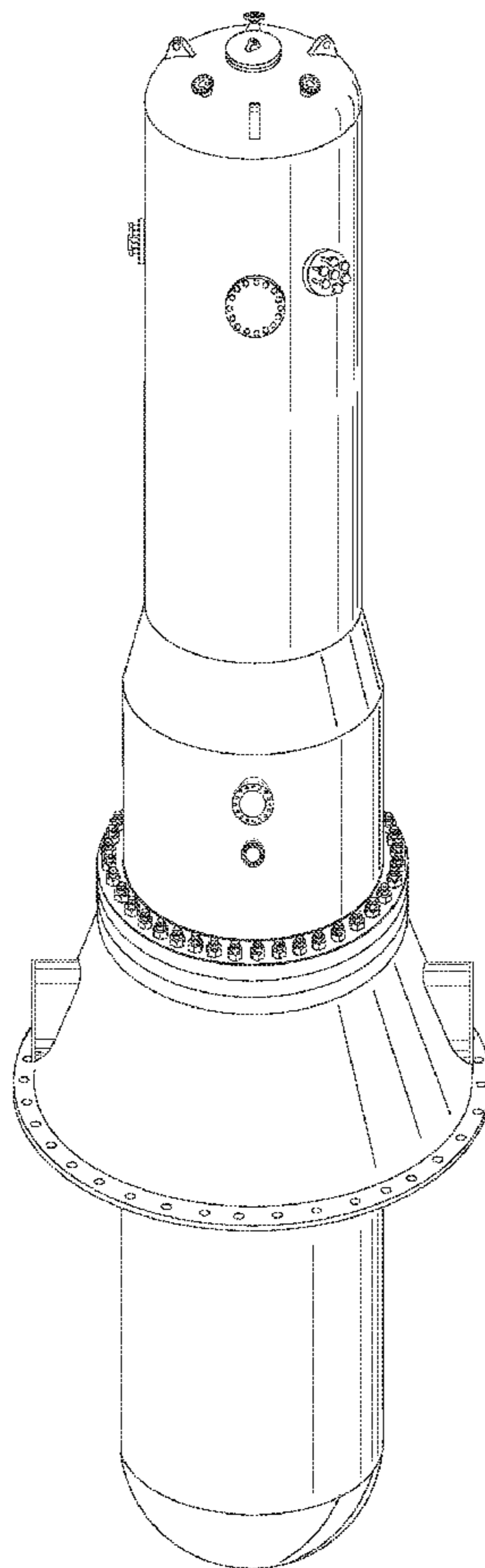
(57) **CLAIM**

I claim the ornamental design for a reactor vessel, as shown and described.

DESCRIPTION

FIG. 1 is a front perspective view of a reactor vessel;
FIG. 2 is a front view of the design of FIG. 1;
FIG. 3 is a right-hand side view of the design of FIG. 1;
FIG. 4 is a rear view of the design of FIG. 1;
FIG. 5 is a left-hand side view of the design of FIG. 1;
FIG. 6 is a top view of the design of FIG. 1; and,
FIG. 7 is a bottom view of the design of FIG. 1.

1 Claim, 6 Drawing Sheets



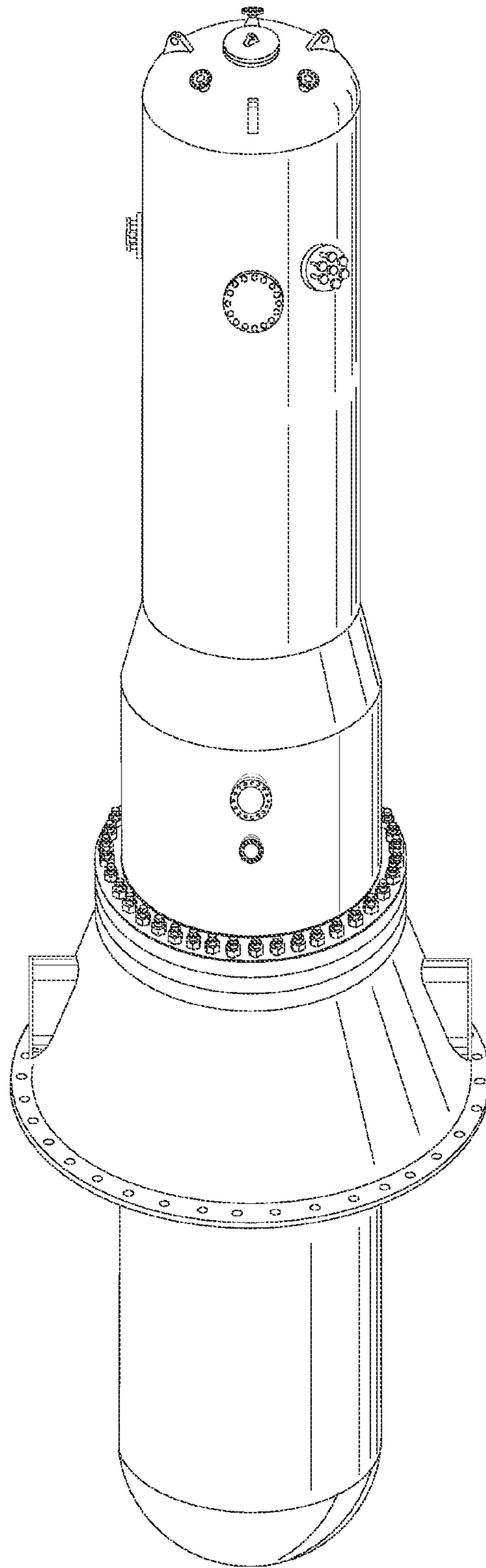


FIG. 1

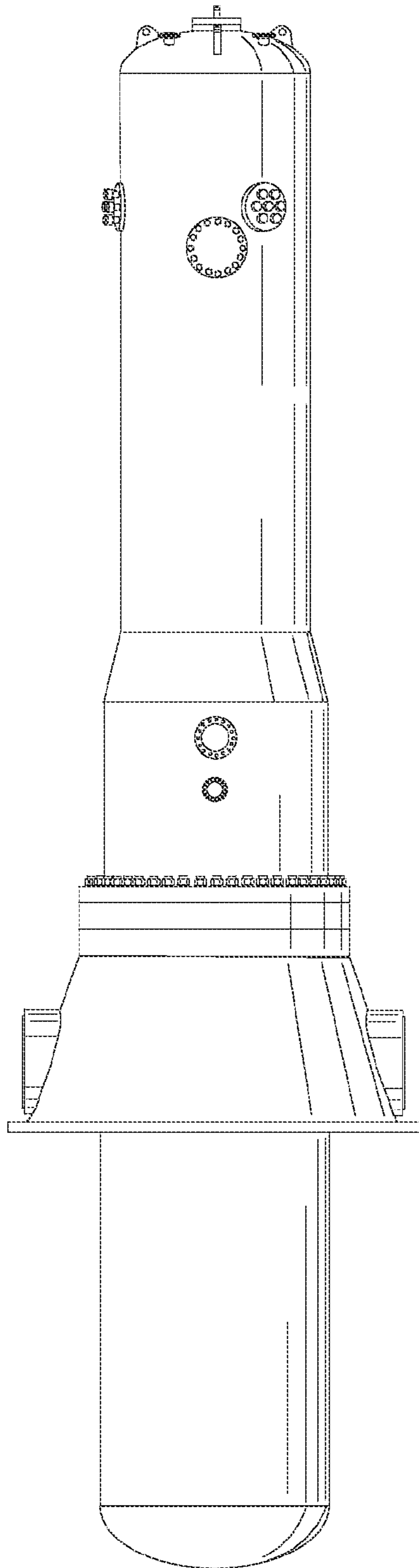


FIG. 2

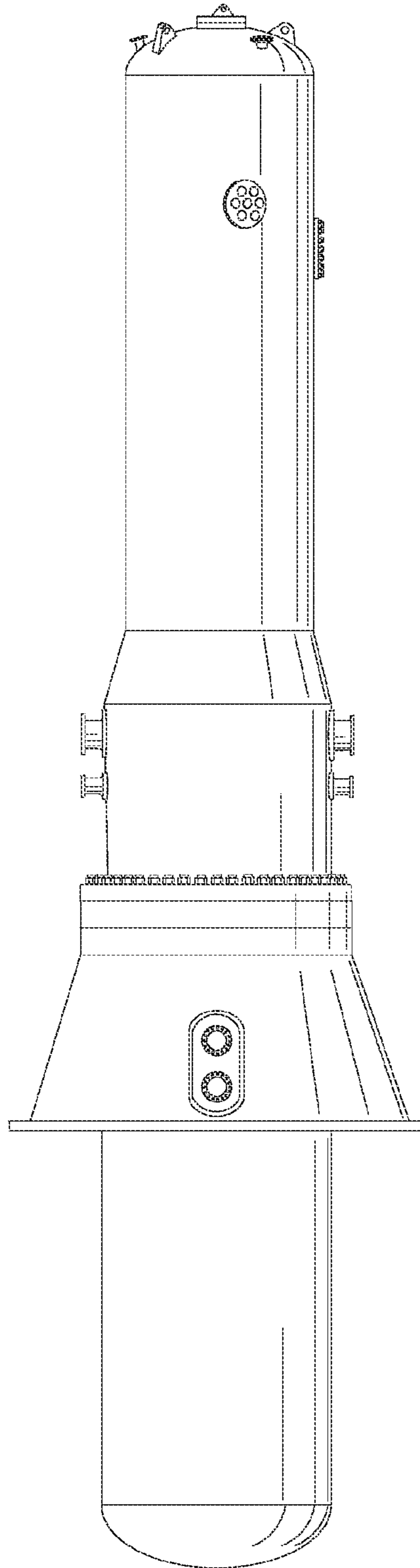


FIG. 3

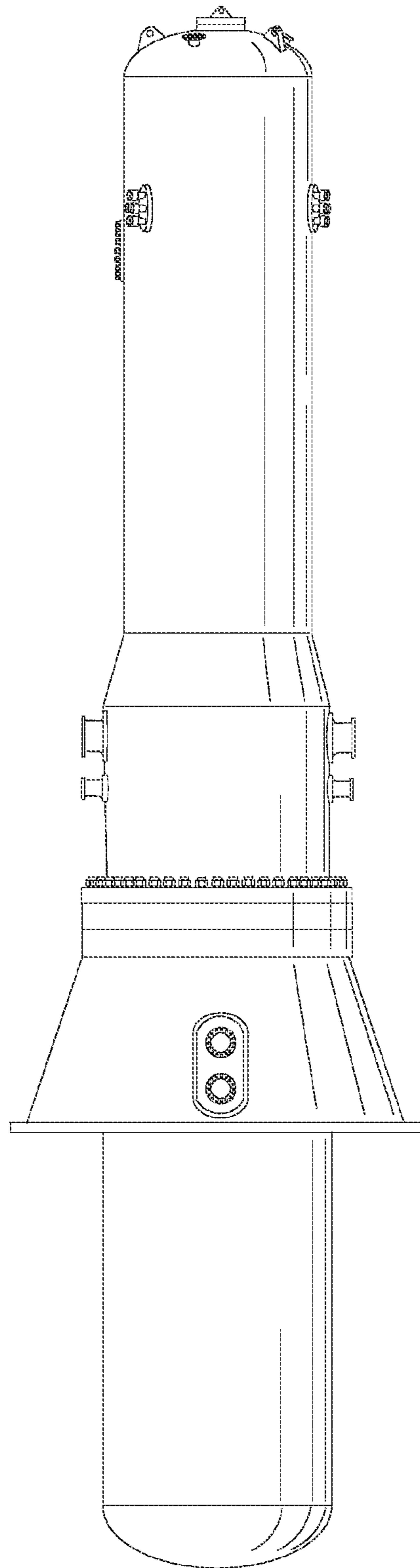


FIG. 4

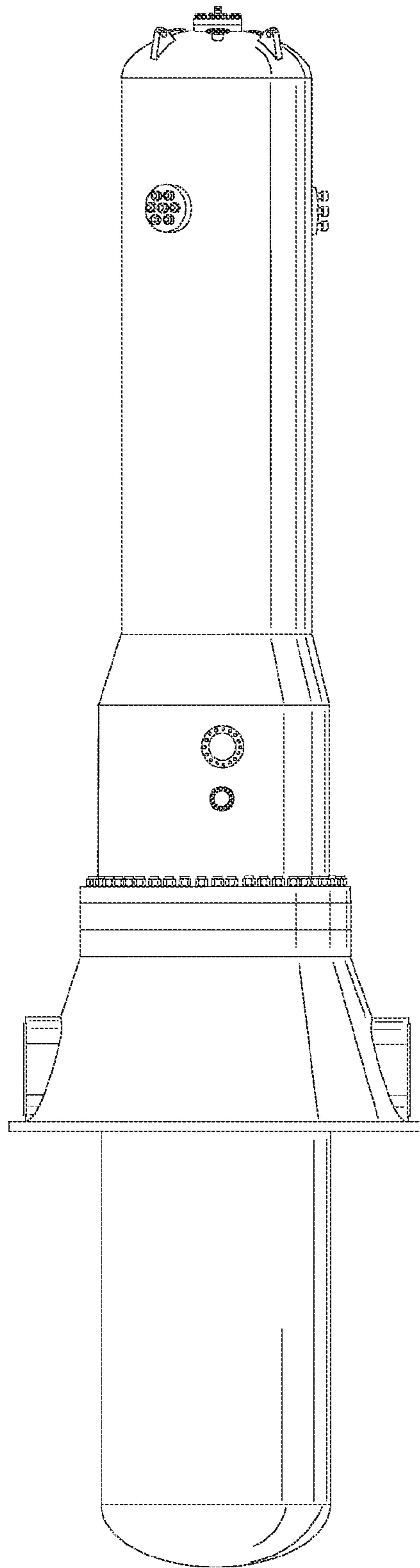


FIG. 5

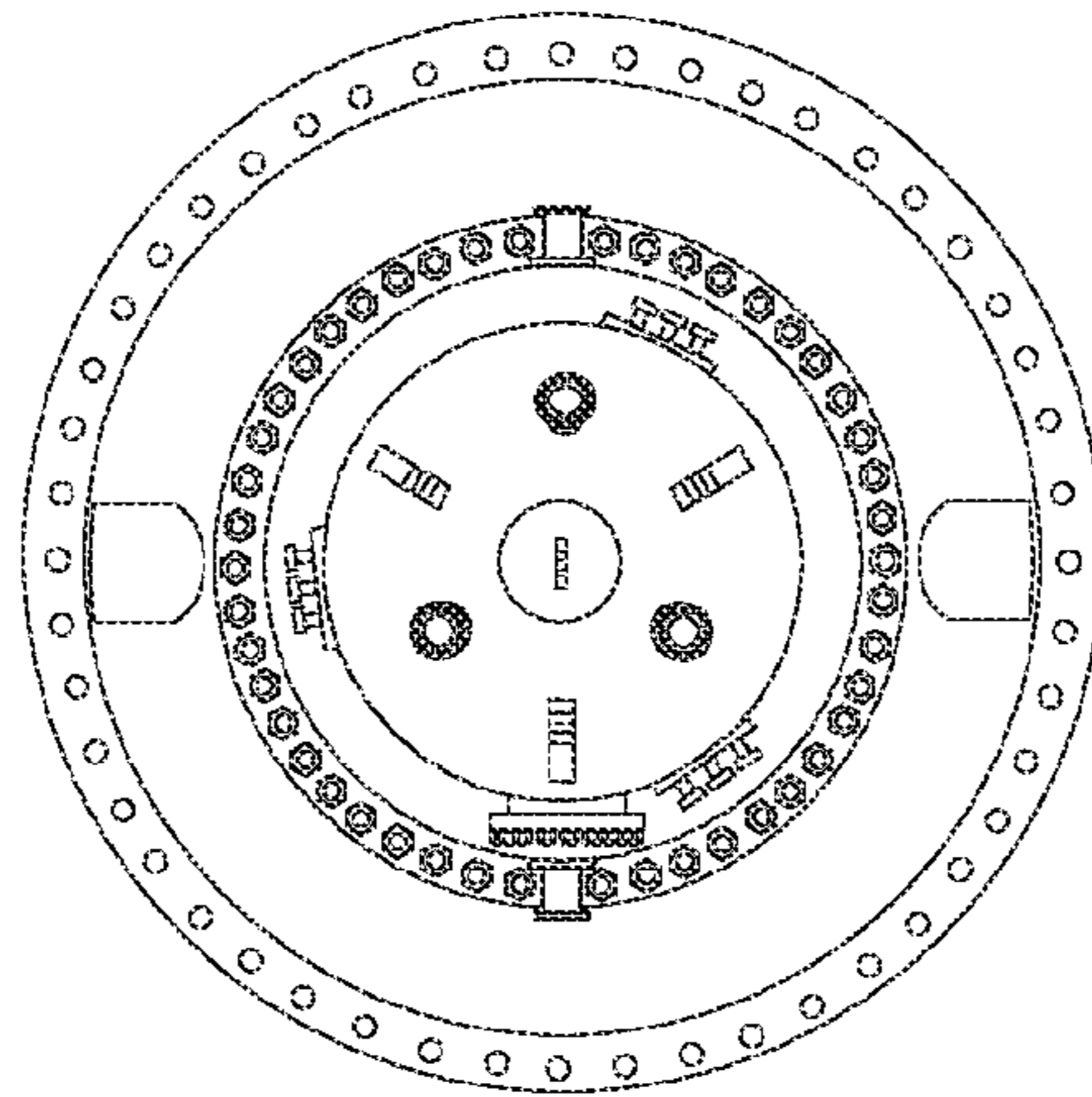


FIG. 6

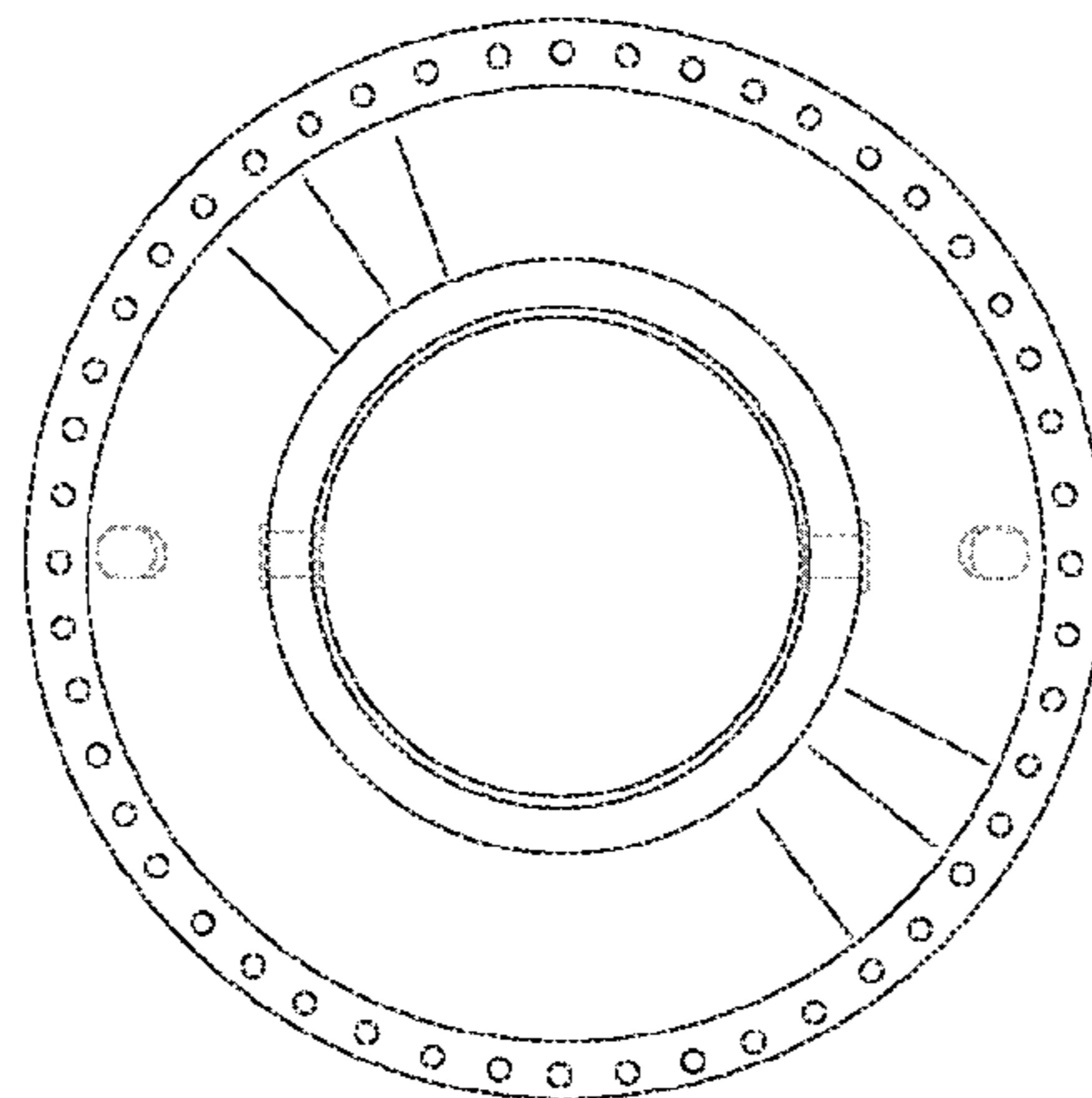


FIG. 7