



US00D695676S

(12) **United States Design Patent**
Buresh et al.

(10) **Patent No.:** **US D695,676 S**

(45) **Date of Patent:** **** Dec. 17, 2013**

(54) **TIRE TREAD**

(75) Inventors: **Patrick Jon Buresh**, Bend, OR (US);
Derick Lonell Harris, Charlotte, NC
(US); **Matthew D. Beres, Jr.**, Greer, SC
(US)

(73) Assignees: **Compagnie Generale des
Etablissements Michelin**,
Clermont-Ferrand (FR); **Michelin
Recherche et Technique S.A.**,
Granges-Paccot (CH)

(**) Term: **14 Years**

(21) Appl. No.: **29/412,178**

(22) Filed: **Jan. 31, 2012**

(51) **LOC (9) Cl.** **12-15**

(52) **U.S. Cl.**
USPC **D12/523**

(58) **Field of Classification Search**
USPC D12/505-532, 900-901;
152/209.1-209.9, 209.11-209.19,
152/209.21-209.28, 455

See application file for complete search history.

(56) **References Cited**

U.S. PATENT DOCUMENTS

D320,371 S	*	10/1991	Morubayashi	D12/523
D340,685 S	*	10/1993	Maxwell et al.	D12/523
D390,518 S		2/1998	White et al.		
D390,519 S		2/1998	White		
D402,938 S		12/1998	Villamizar		
D447,097 S	*	8/2001	Graas et al.	D12/523
D451,440 S	*	12/2001	Weber	D12/523
D513,400 S	*	1/2006	Sakaguchi et al.	D12/523
D525,186 S	*	7/2006	Martin	D12/521
D559,767 S		1/2008	Graas et al.		
D560,595 S		1/2008	Binder et al.		
D572,653 S	*	7/2008	Knowles et al.	D12/521
D581,347 S	*	11/2008	Feider et al.	D12/523

D586,724 S		2/2009	Seibert et al.		
D593,931 S		6/2009	Fontaine et al.		
D595,636 S	*	7/2009	Miyazaki	D12/519
D596,556 S	*	7/2009	Kuwano	D12/521
D597,474 S		8/2009	Yamakawa et al.		
D609,627 S		2/2010	Frappart et al.		
D644,593 S		9/2011	Fontaine et al.		
D649,509 S	*	11/2011	Allison et al.	D12/521
D651,553 S	*	1/2012	Knowles et al.	D12/518
D666,138 S	*	8/2012	Fontaine et al.	D12/521

(Continued)

OTHER PUBLICATIONS

Michelin Pilot Alpin PA2 tire, www.michelinman.com, at least as early as Jan. 27, 2012, 4 pages.

Michelin Pilot Exalto PE2 tire, www.michelinman.com, at least as early as Jan. 27, 2012, 3 pages.

(Continued)

Primary Examiner — Stacia Cadmus

(74) *Attorney, Agent, or Firm* — Dority & Manning, P.A.

(57) **CLAIM**

The ornamental design for a tire tread, as shown and described.

DESCRIPTION

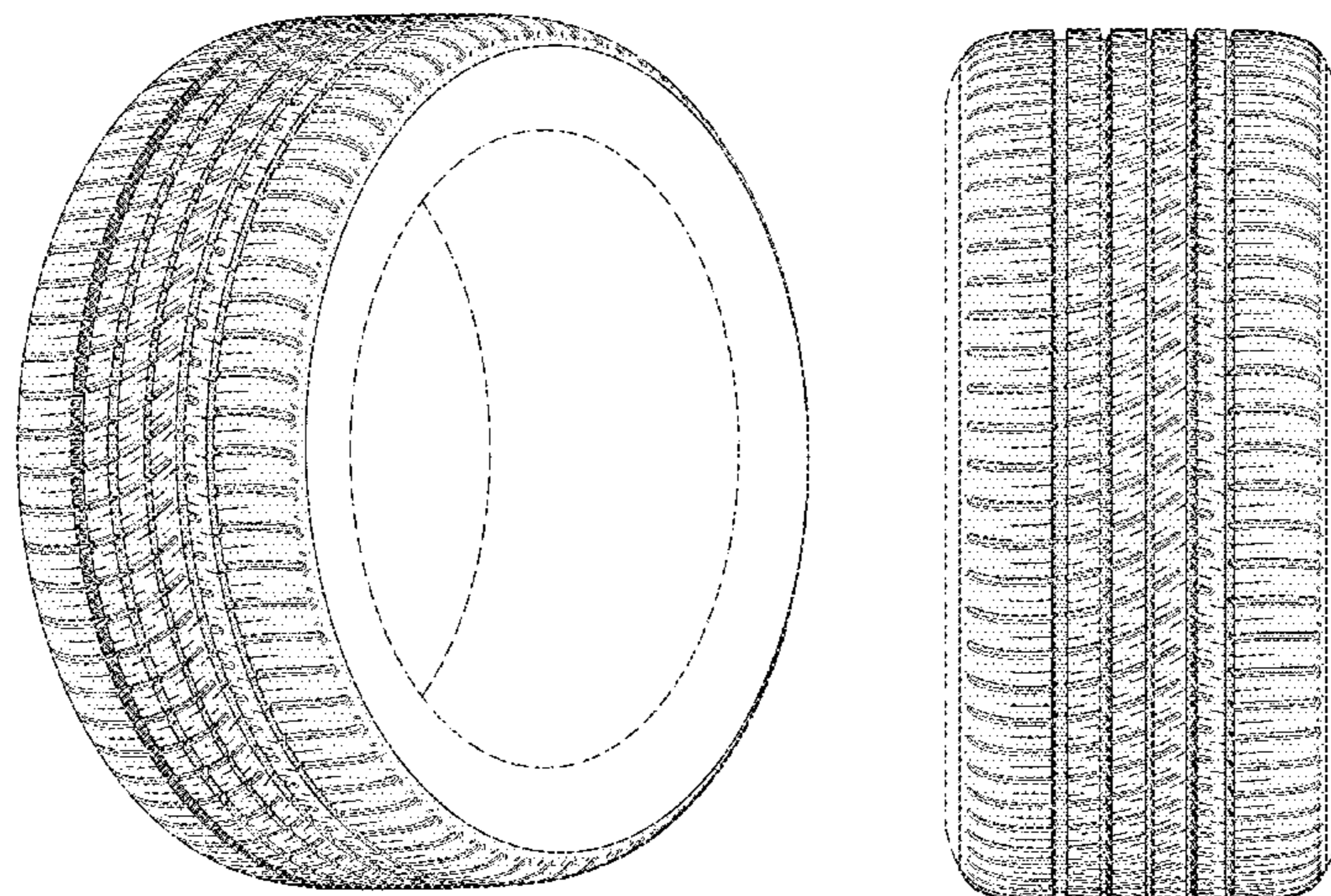
FIG. 1 is a perspective view of a tire tread showing our new design, it being understood that the tread pattern repeats circumferentially throughout the outer circumference and shoulder of the tire, the opposite side perspective being identical thereto;

FIG. 2 is a front elevation view thereof;

FIG. 3 is a side elevation view of the right side thereof; and, FIG. 4 is a side elevation view of the left side thereof.

In the drawings, the dark stippled surface shading represents the recessed groove portions of the tire tread having a depth as best illustrated along the top and bottom edges of FIG. 2. In the drawings, the broken line disclosure of the tire sidewall and inner bead depicts environmental structure and forms no part of the claimed design.

1 Claim, 4 Drawing Sheets



(56)

References Cited

U.S. PATENT DOCUMENTS

D666,551 S 9/2012 Schmidt-Zum Berge et al.
D677,215 S 3/2013 Nakamura
D683,692 S * 6/2013 Yasunaga D12/523
D686,138 S * 7/2013 Chartier et al. D12/521
D686,139 S * 7/2013 Chartier et al. D12/521

OTHER PUBLICATIONS

Michelin Pilot Sport PS2 tire, www.michelinman.com, at least as early as Jan. 27, 2012, 4 pages.

Michelin Pilot Super Sport tire, www.michelinman.com, at least as early as Jan. 27, 2012, 4 pages.

* cited by examiner

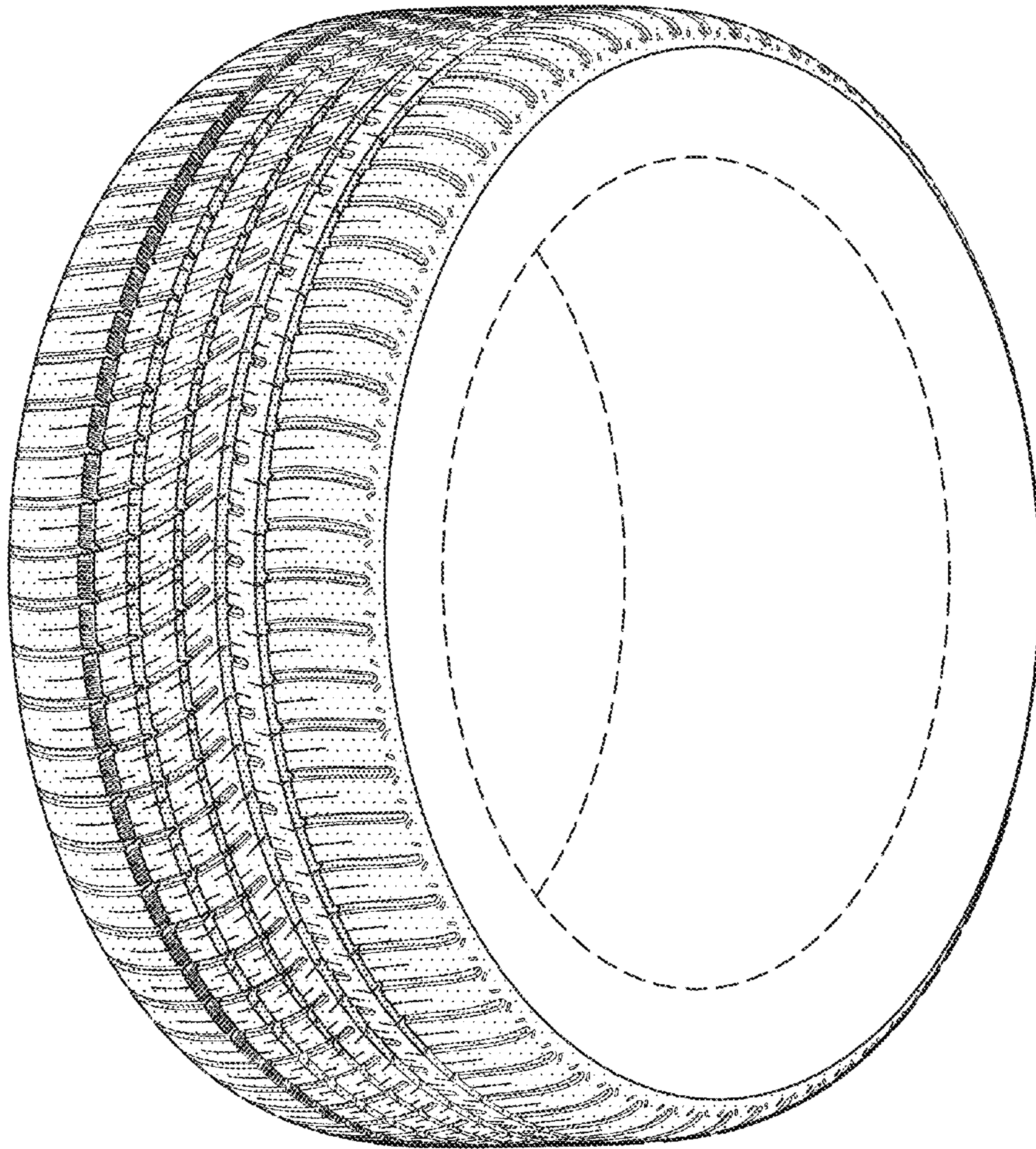


FIG. -1-

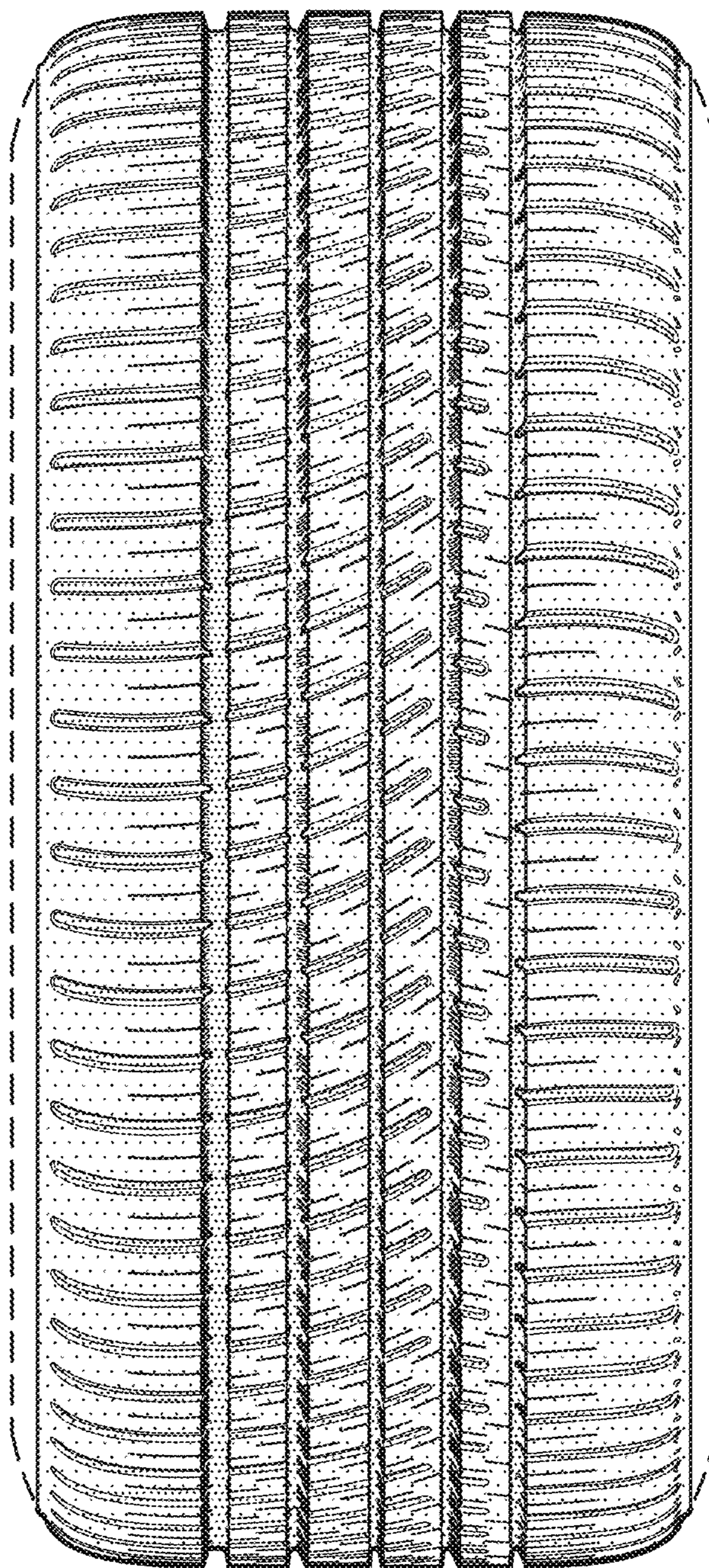


FIG. -2-

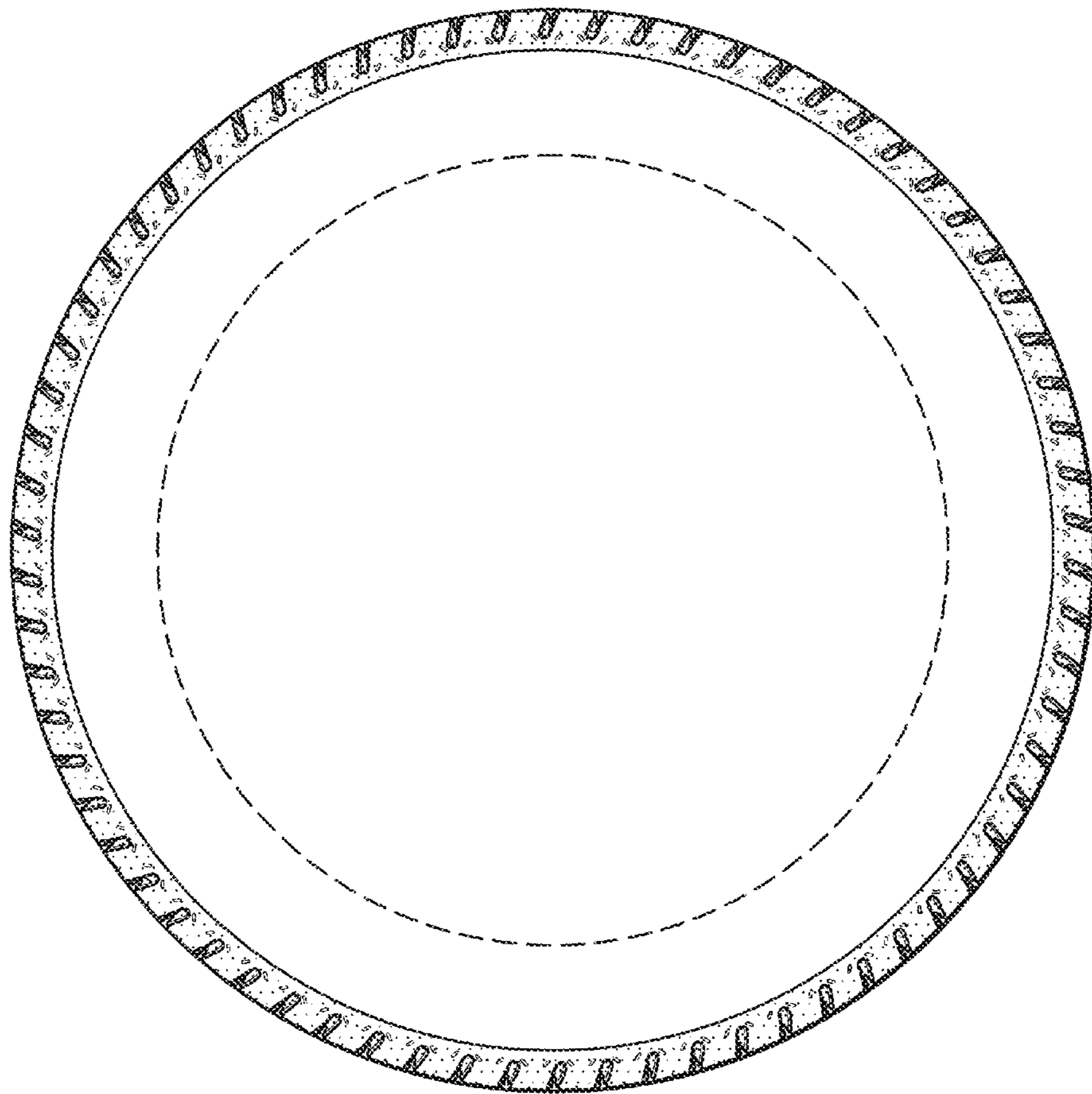


FIG. -3-

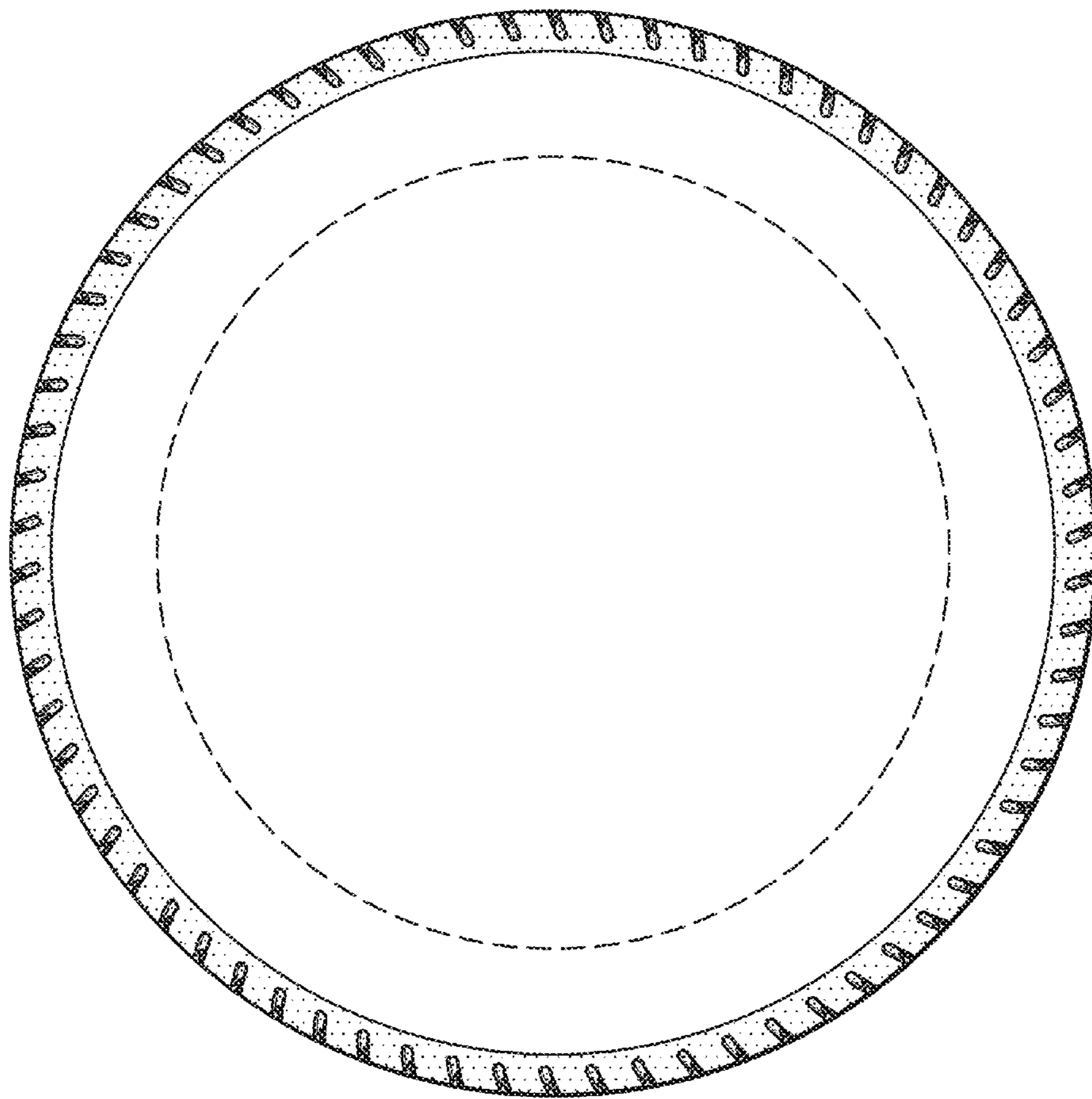


FIG. -4-