



US00D695674S

(12) **United States Design Patent**  
**Nolan et al.**

(10) **Patent No.:** **US D695,674 S**  
(45) **Date of Patent:** **\*\* Dec. 17, 2013**

(54) **FLYING VEHICLE AND/OR TOY REPLICA THEREOF**

(75) Inventors: **Christopher Nolan**, Los Angeles, CA (US); **Nathan Crowley**, Topanga, CA (US)

(73) Assignee: **DC Comics**, New York, NY (US)

(\*\*) Term: **14 Years**

(21) Appl. No.: **29/426,214**

(22) Filed: **Jul. 2, 2012**

(30) **Foreign Application Priority Data**

May 16, 2012 (GB) ..... 4024786  
May 16, 2012 (GB) ..... 4024787  
May 16, 2012 (GB) ..... 4024788

(51) **LOC (9) Cl.** ..... **12-07**

(52) **U.S. Cl.**  
USPC ..... **D12/326**; D12/328; D21/436; D21/447

(58) **Field of Classification Search**  
USPC ..... D12/1, 2, 3, 4, 16.1, 319, 326, 328, 329, D12/344, 345; D21/436, 441, 442, 445, D21/446, 447, 449, 450, 451, 453, 533, 560, D21/578, 580-584, 650; 244/158.1, 158.9, 244/159.1, 6, 7 R, 7 C, 8, 12.1-12.4, 17.11, 244/17.23, 17.25, 26, 117 R, 118.5, 119; 280/1.12; 446/34, 36, 37, 57, 58, 71, 446/72, 88, 230, 231, 232, 234, 94, 289; 124/67; D11/162

See application file for complete search history.

(56) **References Cited**

**U.S. PATENT DOCUMENTS**

D258,746 S \* 3/1981 Jones et al. .... D21/560  
4,307,533 A \* 12/1981 Sims et al. .... 446/94

D268,656 S \* 4/1983 Kodaka ..... D11/162  
4,391,060 A \* 7/1983 Nakane ..... 446/94  
D278,733 S \* 5/1985 Ohkado ..... D21/578  
D286,664 S \* 11/1986 Matsuda ..... D21/580  
4,623,317 A \* 11/1986 Nagano ..... 446/289  
D287,155 S \* 12/1986 Matsuda ..... D21/580  
D287,261 S \* 12/1986 Matsuda ..... D21/584  
D290,625 S \* 6/1987 Li ..... D21/582  
D294,605 S \* 3/1988 Matsumoto ..... D21/583  
D301,504 S \* 6/1989 Kunihiko ..... D21/583

(Continued)

**OTHER PUBLICATIONS**

<http://www.timetoplaymag.com/toys/4006/mattel/the-dar-knight-rises-the-bat>, The Dark Knight Rises The Bat Mattel Time to Play, 2 color sheets, date unknown, but prior to the filing of this application.  
<http://www.movieweb.com/movie/the-dark-knight-rises/>

(Continued)

*Primary Examiner* — Caron D Veynar

*Assistant Examiner* — Martie K Holtje

(74) *Attorney, Agent, or Firm* — Banner & Witcoff, Ltd.

(57) **CLAIM**

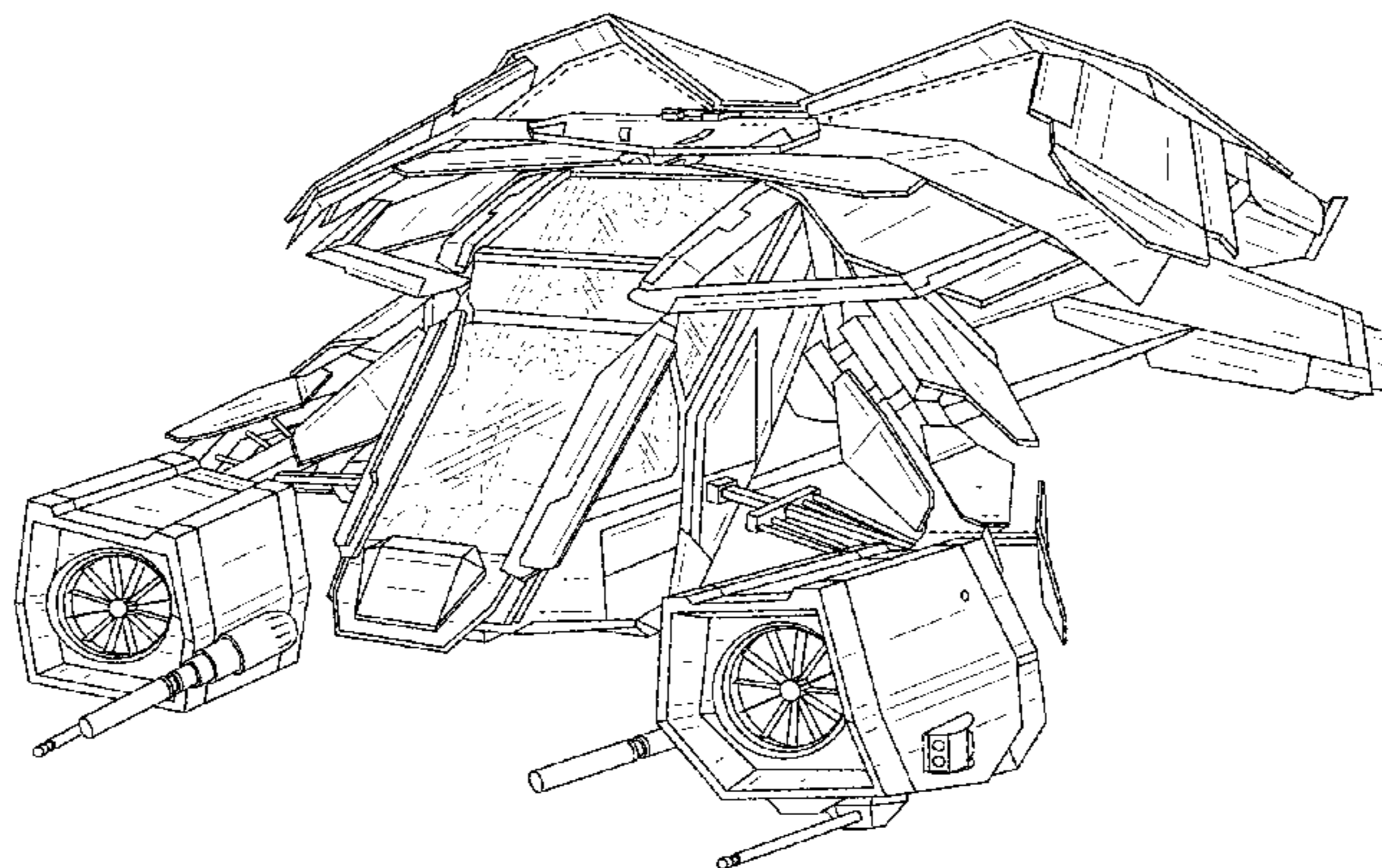
The ornamental design for a flying vehicle and/or toy replica thereof, as shown and described.

**DESCRIPTION**

FIG. 1 is a front perspective view of a flying vehicle and/or toy replica thereof showing our new design;  
FIG. 2 is a front view thereof;  
FIG. 3 is a rear view thereof;  
FIG. 4 is a right side view thereof;  
FIG. 5 is a left side view thereof;  
FIG. 6 is a top view thereof; and,  
FIG. 7 is a bottom view thereof.

The broken line showing of various regions on the flying vehicle and/or toy replica thereof are for environmental purposes only and form no part of the claimed design.

**1 Claim, 6 Drawing Sheets**



(56)

References Cited

U.S. PATENT DOCUMENTS

D305,054 S \* 12/1989 Ishizawa ..... D21/584  
D307,926 S \* 5/1990 Shinohara ..... D21/584  
5,701,878 A \* 12/1997 Moore et al. .... 124/67  
D483,820 S \* 12/2003 Weiser et al. .... D21/650  
D486,421 S \* 2/2004 Weiser et al. .... D11/162  
D630,269 S \* 1/2011 Matsuda et al. .... D21/533  
8,187,049 B2 \* 5/2012 Corsiglia et al. .... 446/37  
2006/0231677 A1 \* 10/2006 Zimet et al. .... 244/17.23

OTHER PUBLICATIONS

PGo3tmavh7x1qv/xwRzLyGHP1KILFA, The Dark Knight Rises Merchandise Photo 19 of 45—MovieWeb.com, 2 color sheets, date unknown, but prior to the filing of this application.  
<http://batman-news.com/2012/02/12/closer-look-at-the-bat-from-matteks-the-dark-knight-rises-toy-line> . . . , Closer look at “The Bat” from Mattel’s “The Dark Knight Rises” toy line (video)—Batman-News.com, 1 photo sheet, Feb. 12, 2012.

\* cited by examiner

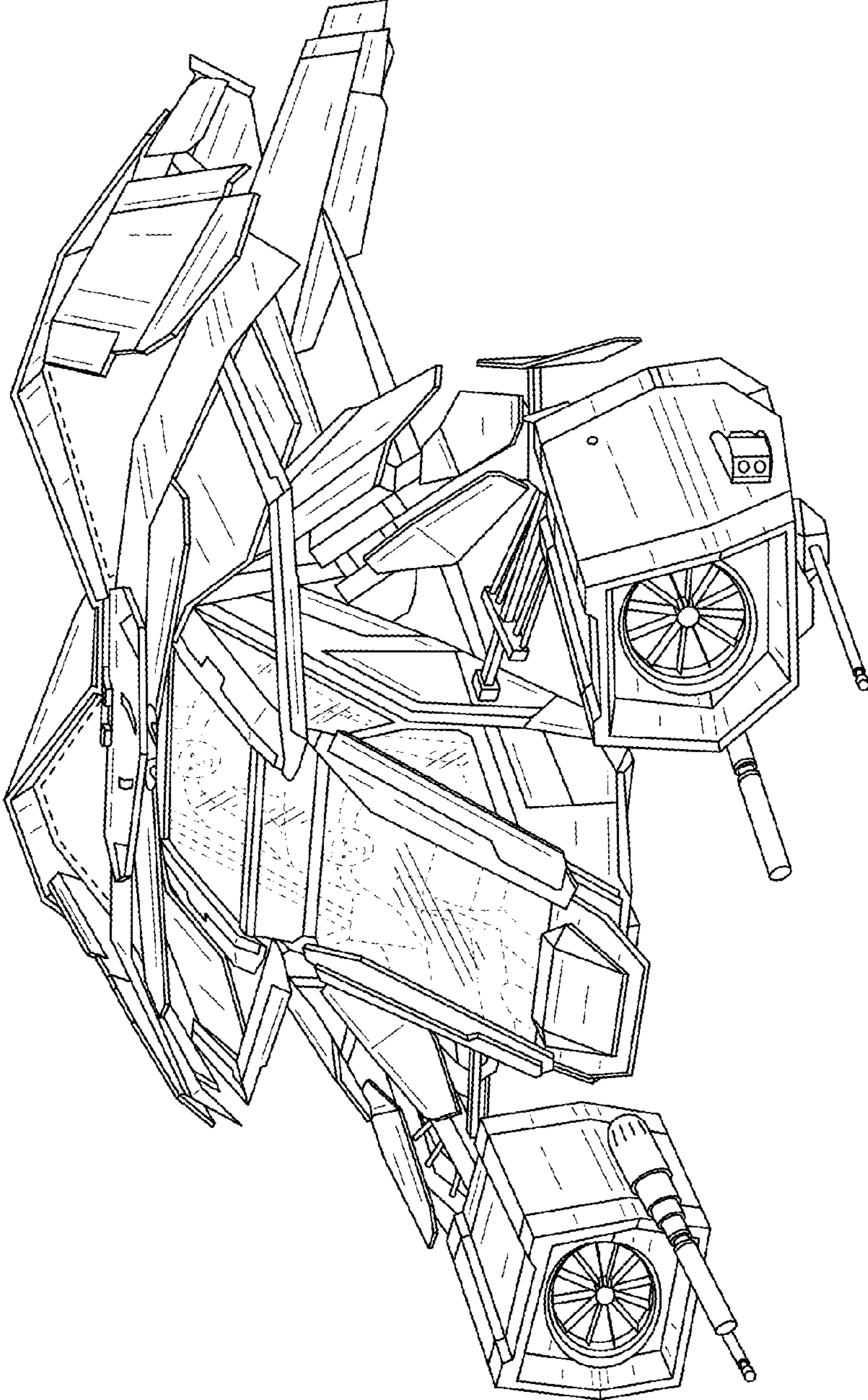


FIG. 1

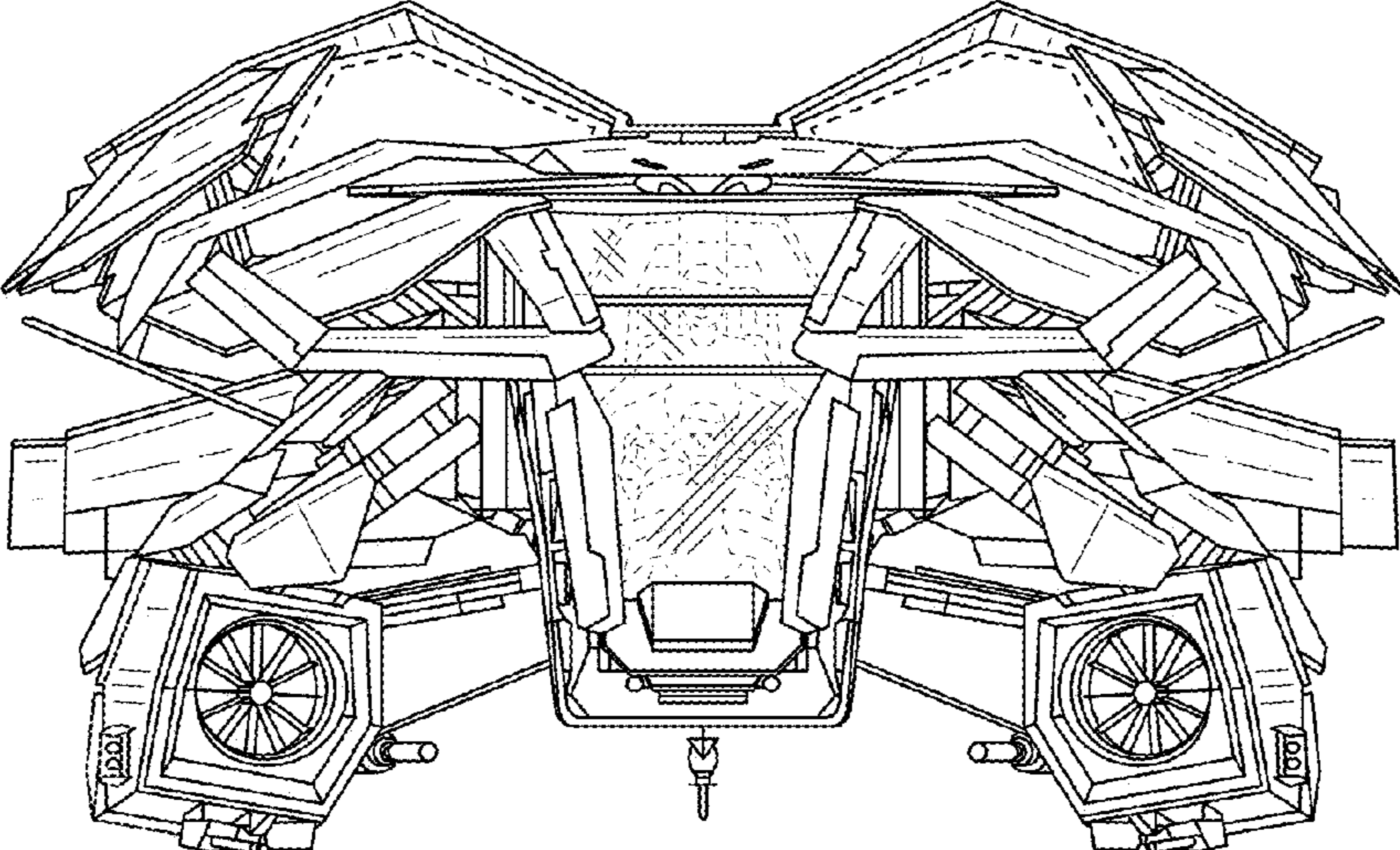


FIG. 2

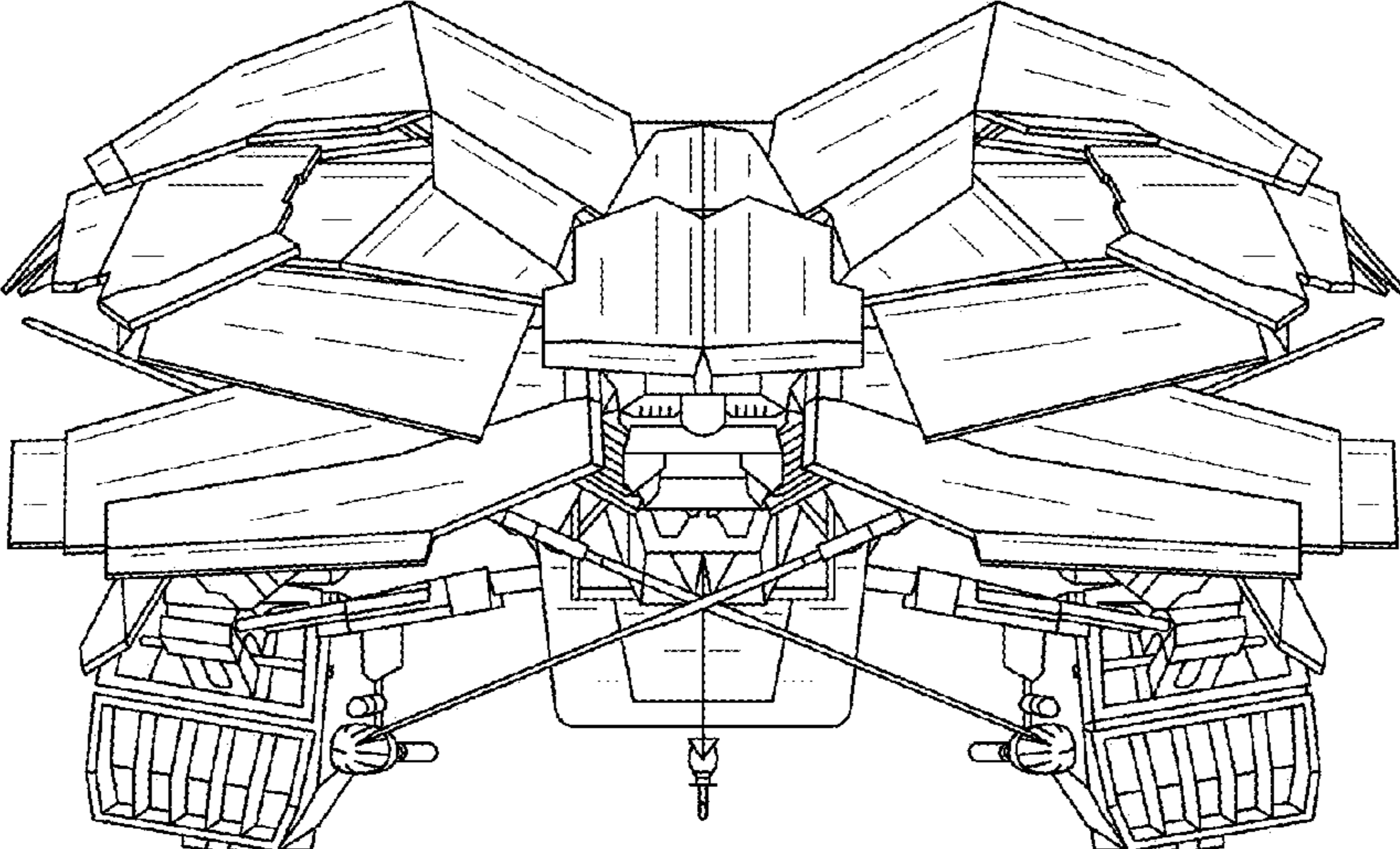


FIG. 3

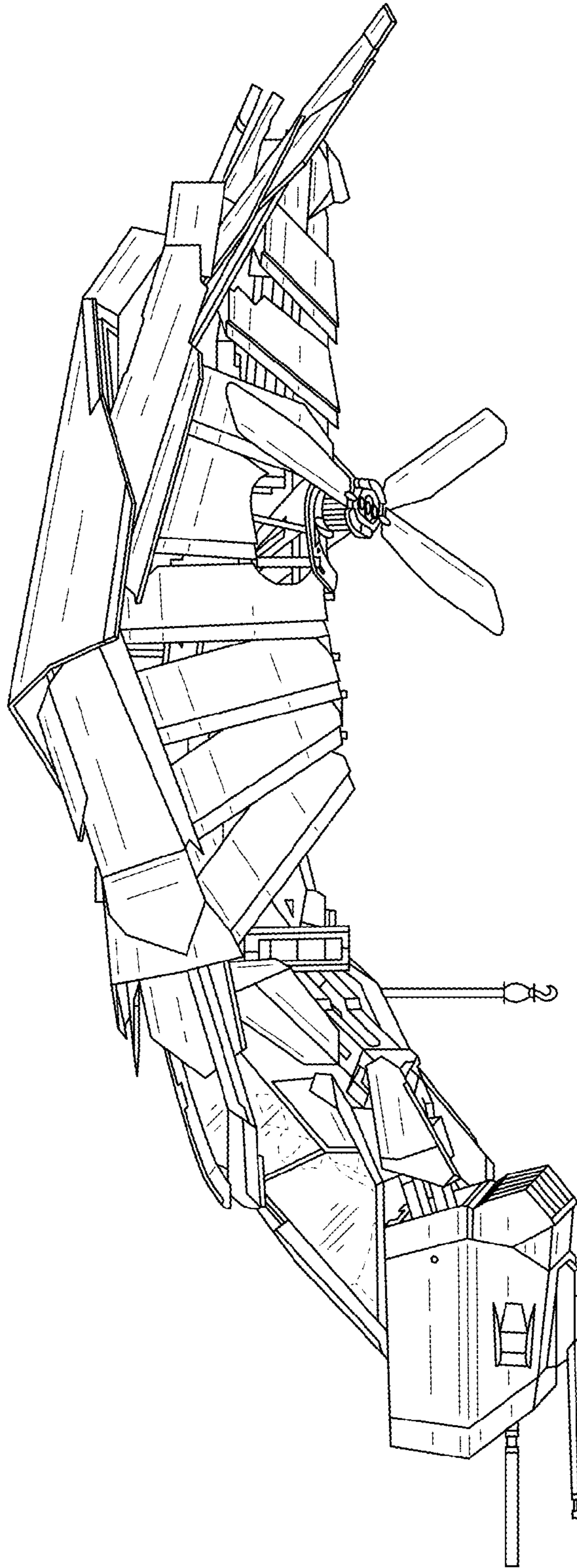


FIG. 4

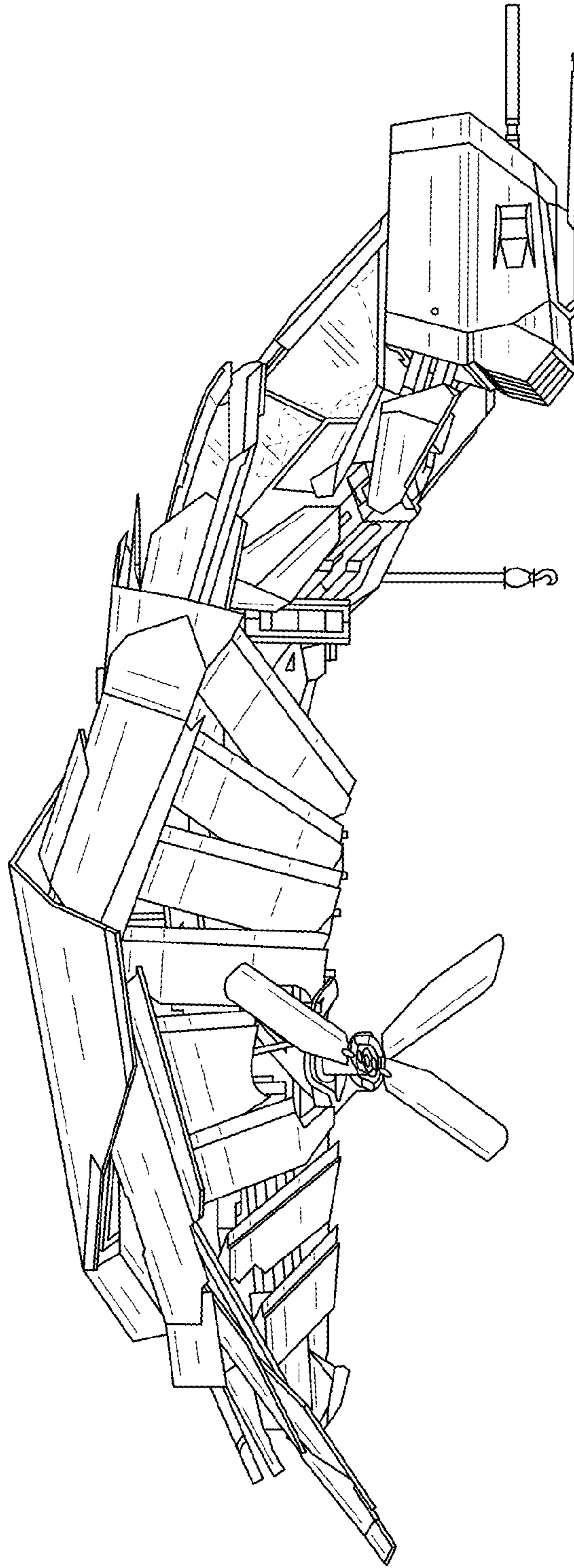


FIG. 5

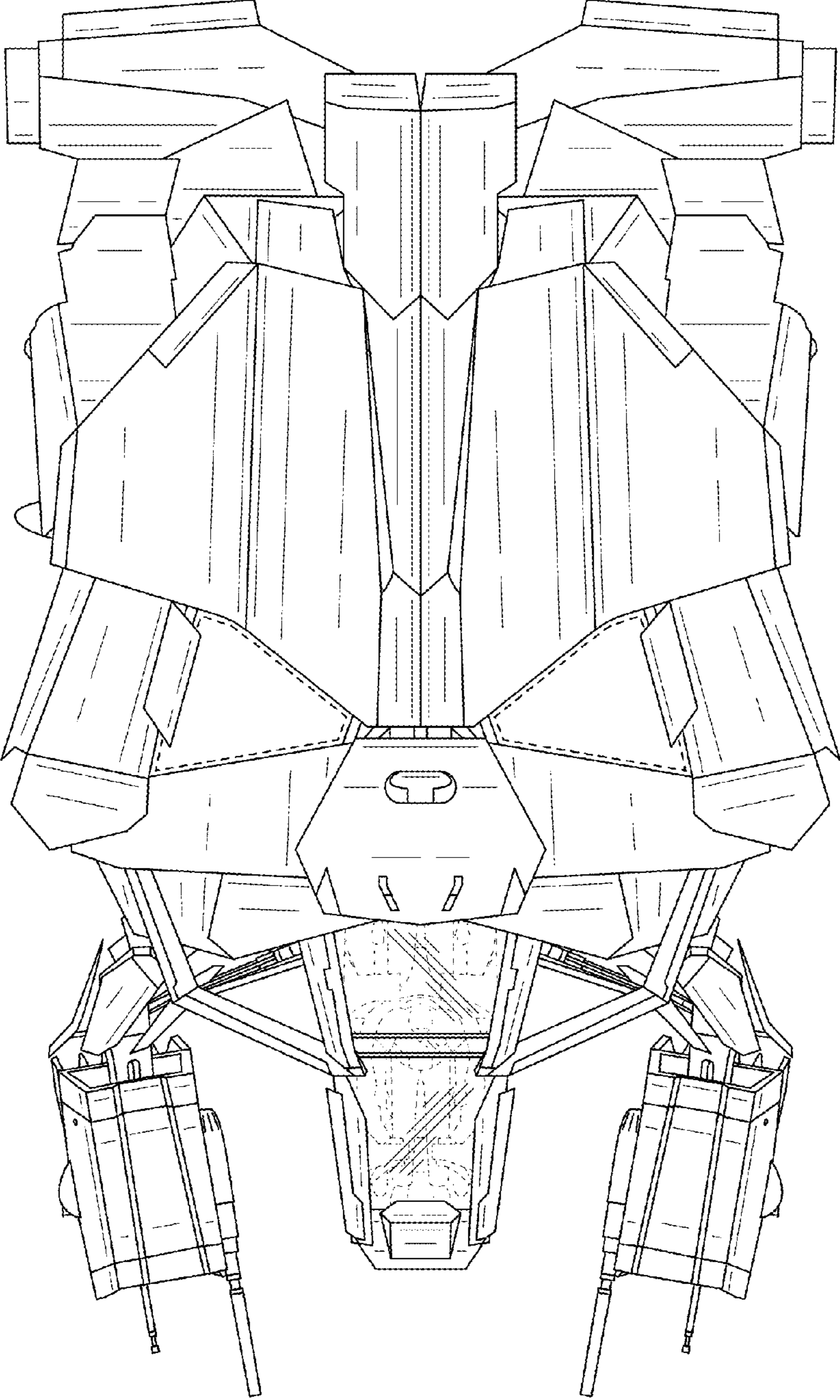


FIG. 6

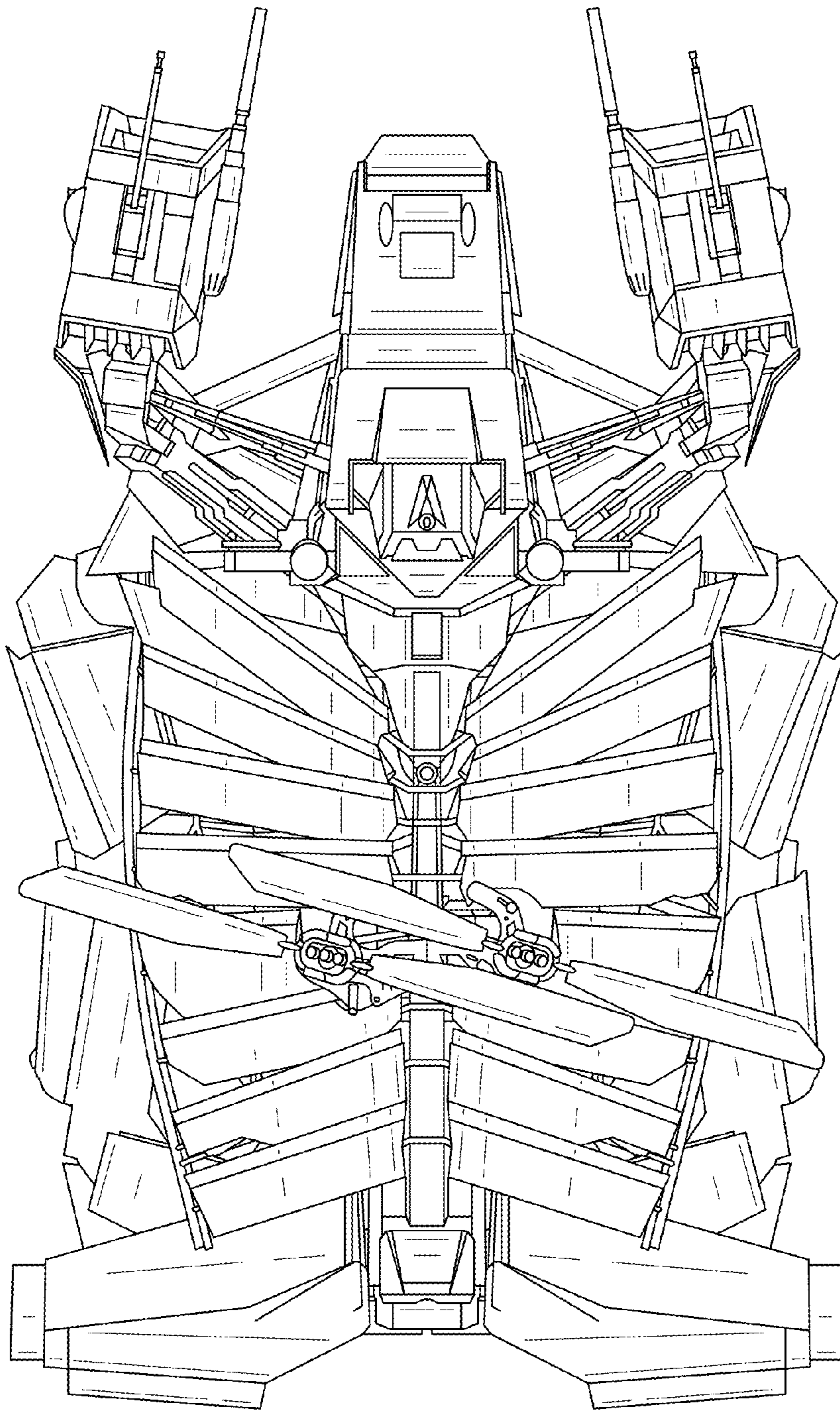


FIG. 7