

US00D695673S

(12) **United States Design Patent**
Kim

(10) **Patent No.:** **US D695,673 S**

(45) **Date of Patent:** **** Dec. 17, 2013**

(54) **WIPER FOR AUTOMOBILES**

(75) Inventor: **In-Kyu Kim**, Gyeonggi-do (KR)

(73) Assignees: **In-Kyu Kim**, Gyeonggi-do (KR);
ADM21 Co., Ltd., Chungcheongnam-do (KR)

(**) Term: **14 Years**

(21) Appl. No.: **29/430,446**

(22) Filed: **Aug. 24, 2012**

(30) **Foreign Application Priority Data**

Apr. 26, 2012 (KR) 30-2012-0020219

(51) **LOC (9) Cl.** **12-06**

(52) **U.S. Cl.**
USPC **D12/219**

(58) **Field of Classification Search**
USPC D12/219-220; 15/246, 247, 250.001,
15/250.4, 250.361, 250.19, 250.48,
15/250.03, 250.31-250.33, 250.351,
15/250.38, 250.201, 250.451, 250.458,
15/250.04, 250.07, 250.44

See application file for complete search history.

(56) **References Cited**

U.S. PATENT DOCUMENTS

| | | | | | | |
|--------------|----|---|---------|----------------|-------|------------|
| D379,613 | S | * | 6/1997 | Chen | | D12/219 |
| D382,848 | S | * | 8/1997 | Chen | | D12/219 |
| 2008/0083082 | A1 | * | 4/2008 | Rovaart et al. | | 15/250.32 |
| 2011/0162161 | A1 | * | 7/2011 | Amado | | 15/250.361 |
| 2011/0277266 | A1 | * | 11/2011 | Umeno | | 15/250.32 |

* cited by examiner

Primary Examiner — Katrina A Betton

(74) *Attorney, Agent, or Firm* — Seed IP Law Group PLLC

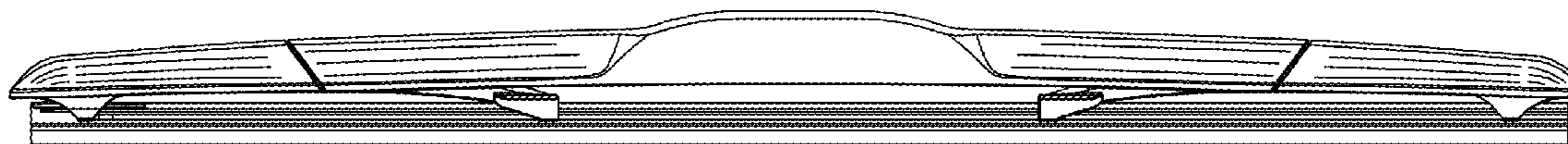
(57) **CLAIM**

The ornamental design for a wiper for automobiles, as shown and described.

DESCRIPTION

FIG. 1 is an isometric view of a wiper for automobiles.
FIG. 2 is a front view thereof.
FIG. 3 is a rear view thereof.
FIG. 4 is a top plan view thereof.
FIG. 5 is a bottom plan view thereof.
FIG. 6 is an enlarged isometric view of the portion partitioned by lines 6-6 in FIG. 1.
FIG. 7 is a left side view thereof.
FIG. 8 is a right side view thereof; and,
FIG. 9 is an enlarged bottom plan view of the portion partitioned by lines 9-9' in FIG. 5.

1 Claim, 6 Drawing Sheets



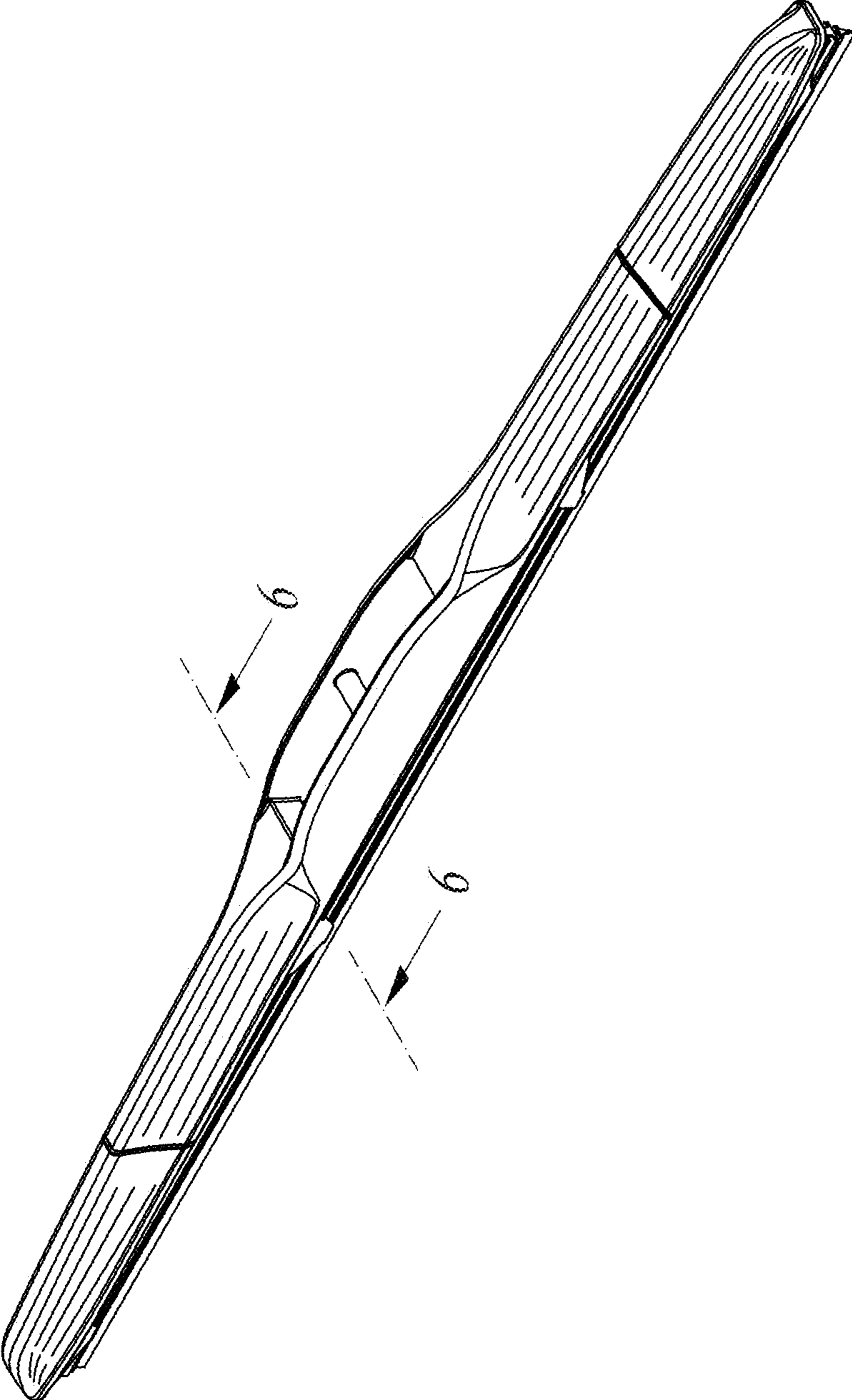


FIG. 1

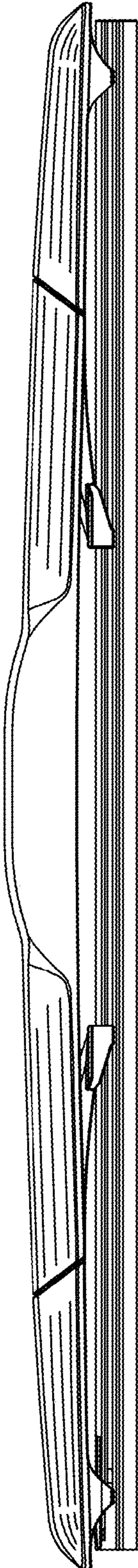


FIG. 2

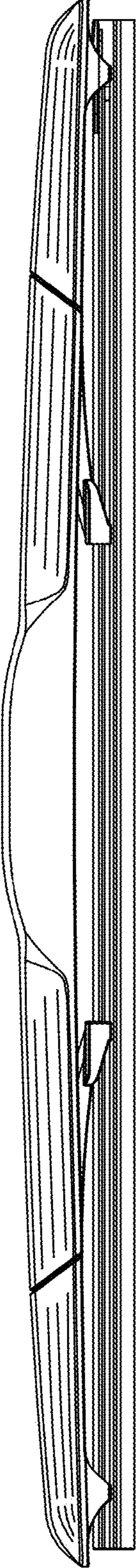


FIG. 3

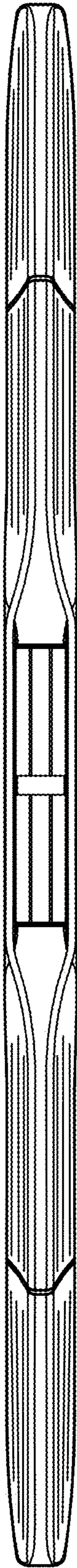


FIG. 4

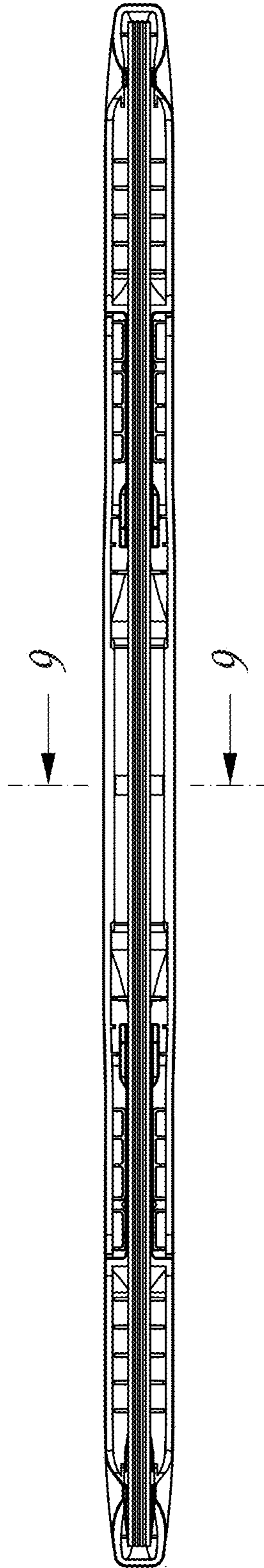


FIG. 5

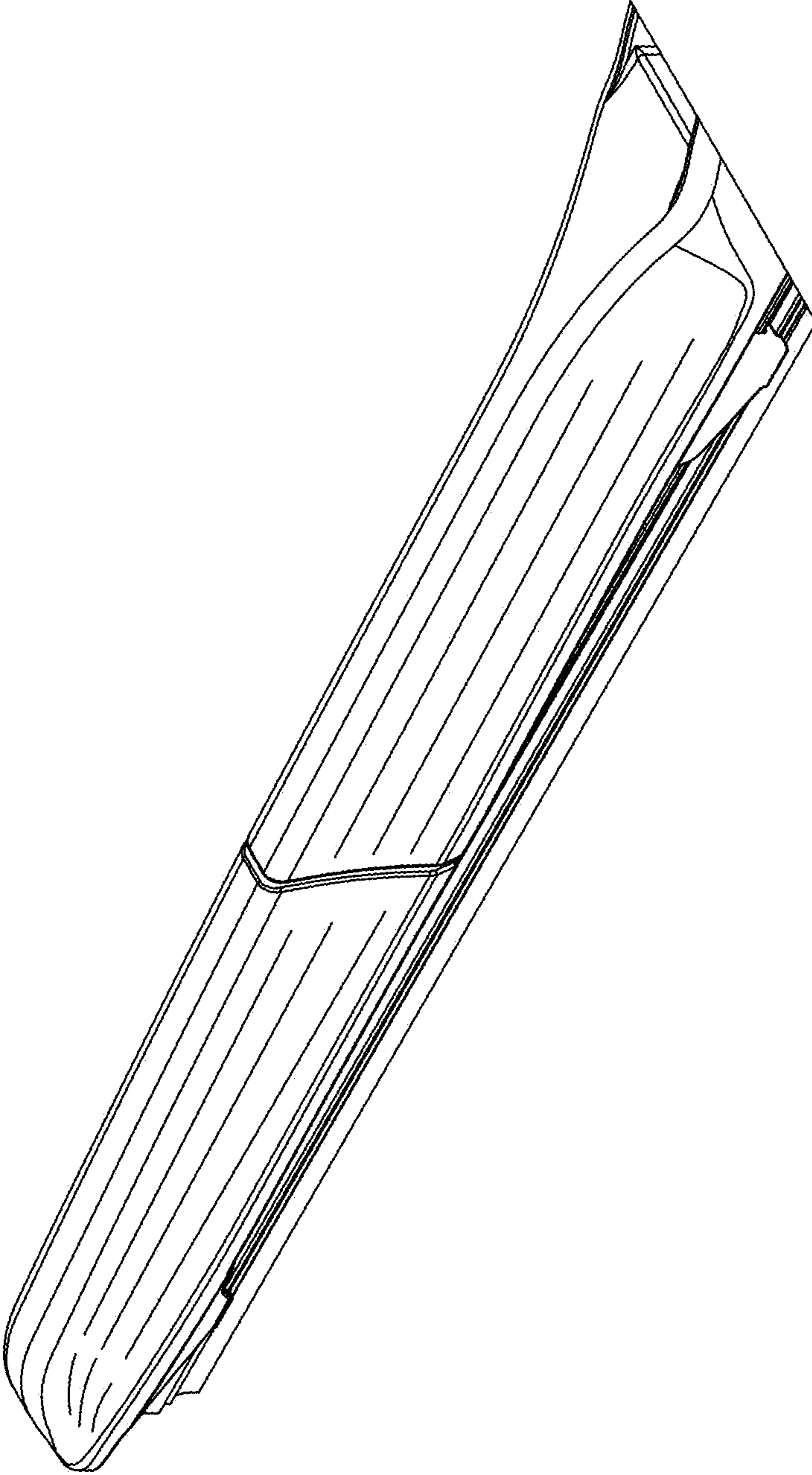


FIG. 6

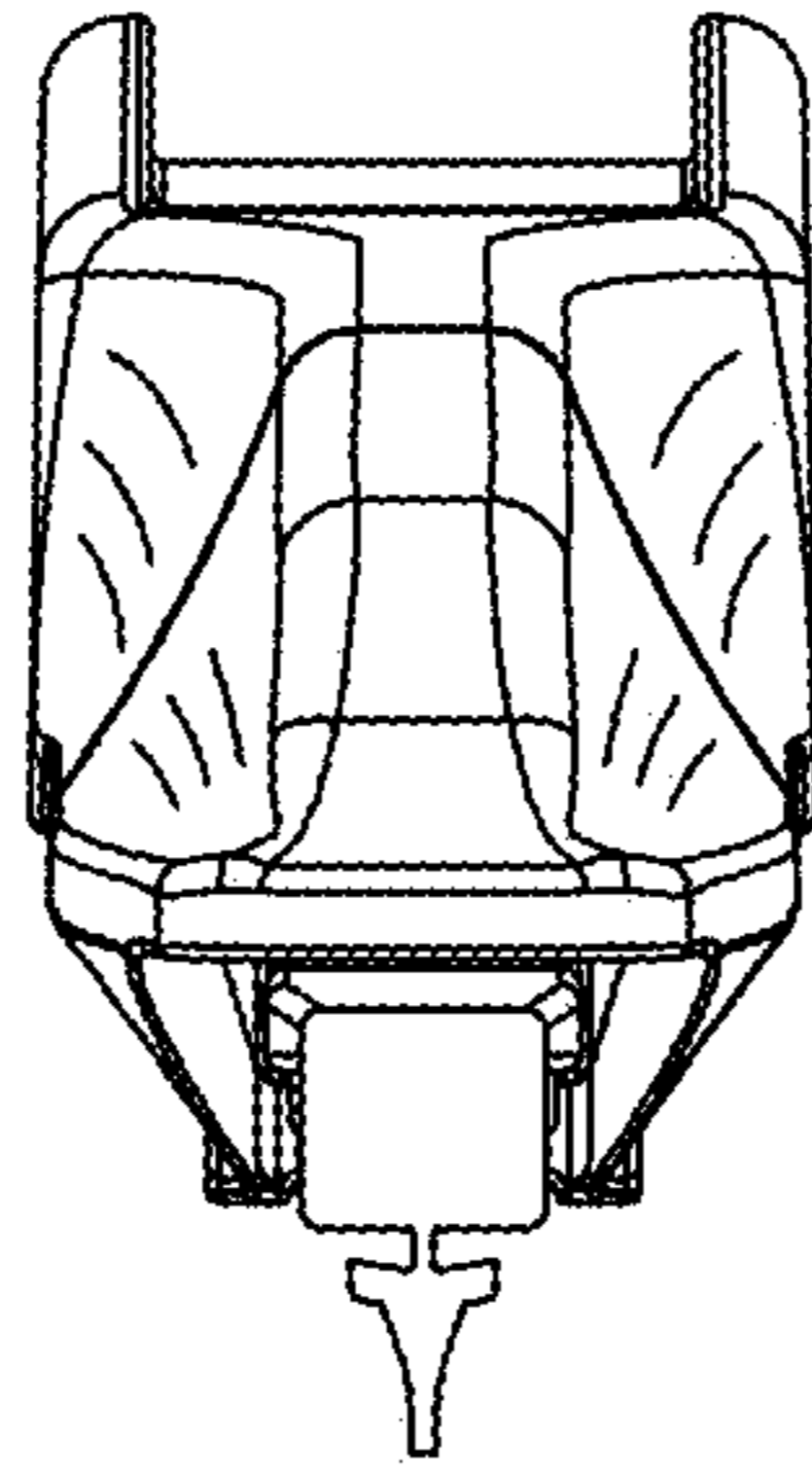


FIG. 7

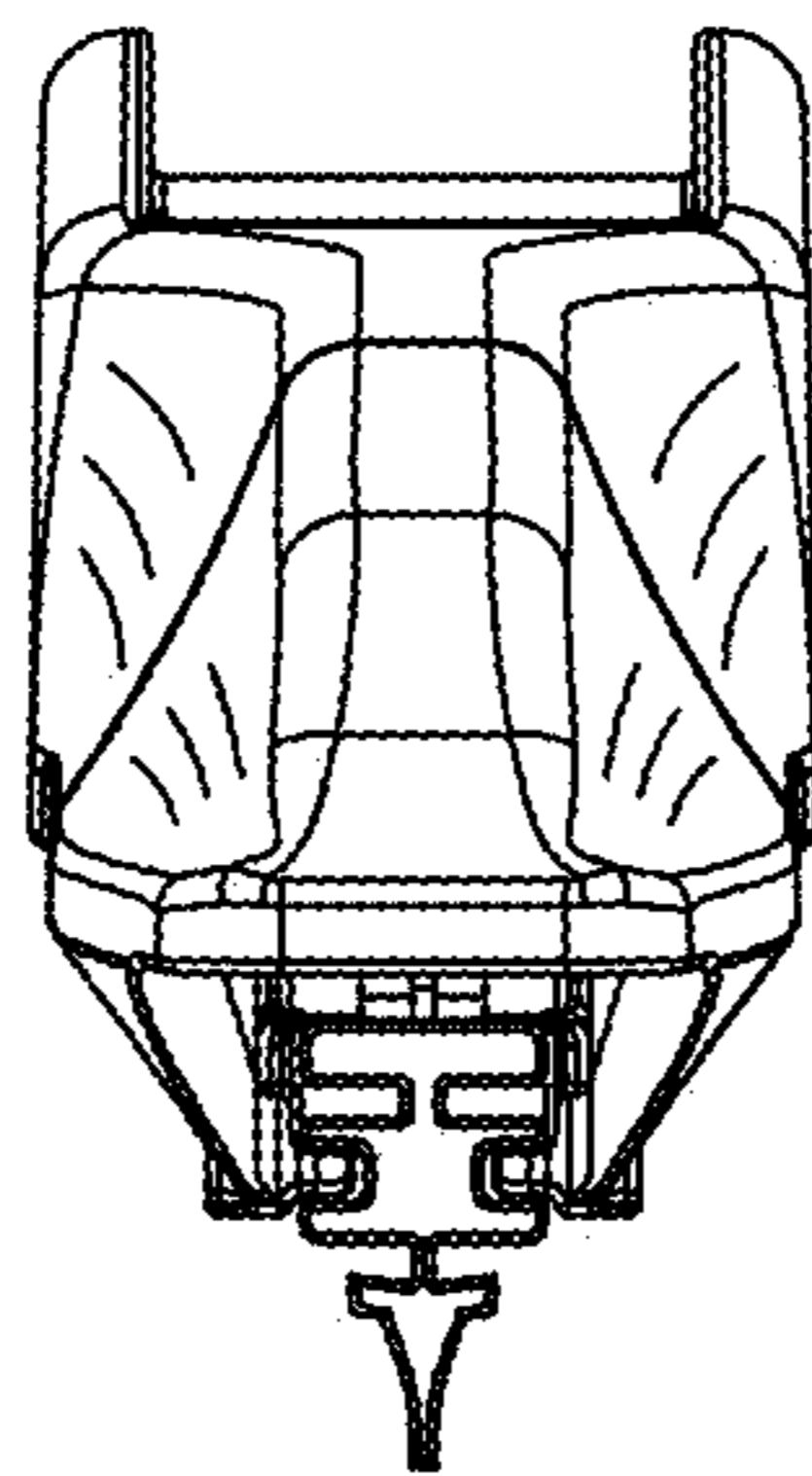


FIG. 8

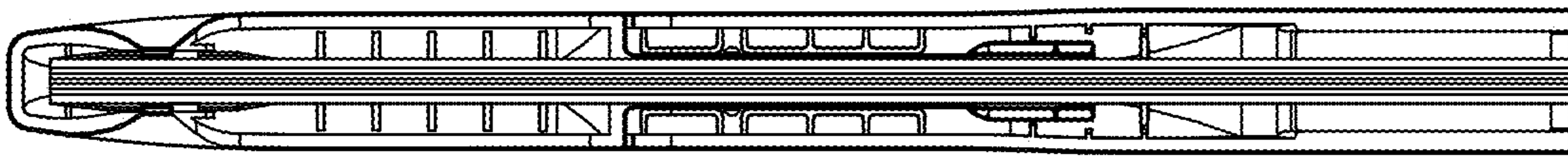


FIG. 9