



US00D695671S

(12) **United States Design Patent**
Chung

(10) **Patent No.:** **US D695,671 S**

(45) **Date of Patent:** **** Dec. 17, 2013**

(54) **WHEEL**

(71) Applicant: **Wheel Pros, LLC**, Lakewood, CO (US)

(72) Inventor: **Suny Chung**, Yorba Linda, CA (US)

(73) Assignee: **Wheel Pros, LLC**, Greenwood Village, CO (US)

(**) Term: **14 Years**

(21) Appl. No.: **29/439,738**

(22) Filed: **Dec. 14, 2012**

(51) **LOC (9) Cl.** **12-16**

(52) **U.S. Cl.**
USPC **D12/211**

(58) **Field of Classification Search**
USPC D12/204-213; 301/37.101, 64.101, 65,
301/64.201
See application file for complete search history.

(56) **References Cited**

U.S. PATENT DOCUMENTS

D552,524 S	*	10/2007	Tirado	D12/209
D592,578 S	*	5/2009	Chung	D12/209
D596,099 S	*	7/2009	Chung	D12/209

D618,155 S	*	6/2010	Zhao	D12/211
D633,840 S	*	3/2011	Johnson	D12/209
D637,947 S	*	5/2011	Zhao	D12/211
D655,231 S	*	3/2012	Zhao	D12/209
D655,233 S	*	3/2012	Alfonso	D12/211
D655,235 S	*	3/2012	Zhao	D12/211
D656,445 S	*	3/2012	Lee	D12/209
D657,297 S	*	4/2012	Johnson	D12/211
D657,728 S	*	4/2012	Johnson	D12/211
D659,066 S	*	5/2012	Johnson	D12/209
D668,198 S	*	10/2012	Platto et al.	D12/211
D680,939 S	*	4/2013	Zhao	D12/211
D682,769 S	*	5/2013	Zhao	D12/211
D684,915 S	*	6/2013	Zhao	D12/211

* cited by examiner

Primary Examiner — Stacia Cadmus

(74) *Attorney, Agent, or Firm* — Garcia-Zamor IP Law; Ruy M. Garcia-Zamor

(57) **CLAIM**

The ornamental design for a wheel, as shown and described.

DESCRIPTION

FIG. 1 is a perspective view of a wheel, showing my new design; and,

FIG. 2 is a front view thereof.

1 Claim, 2 Drawing Sheets

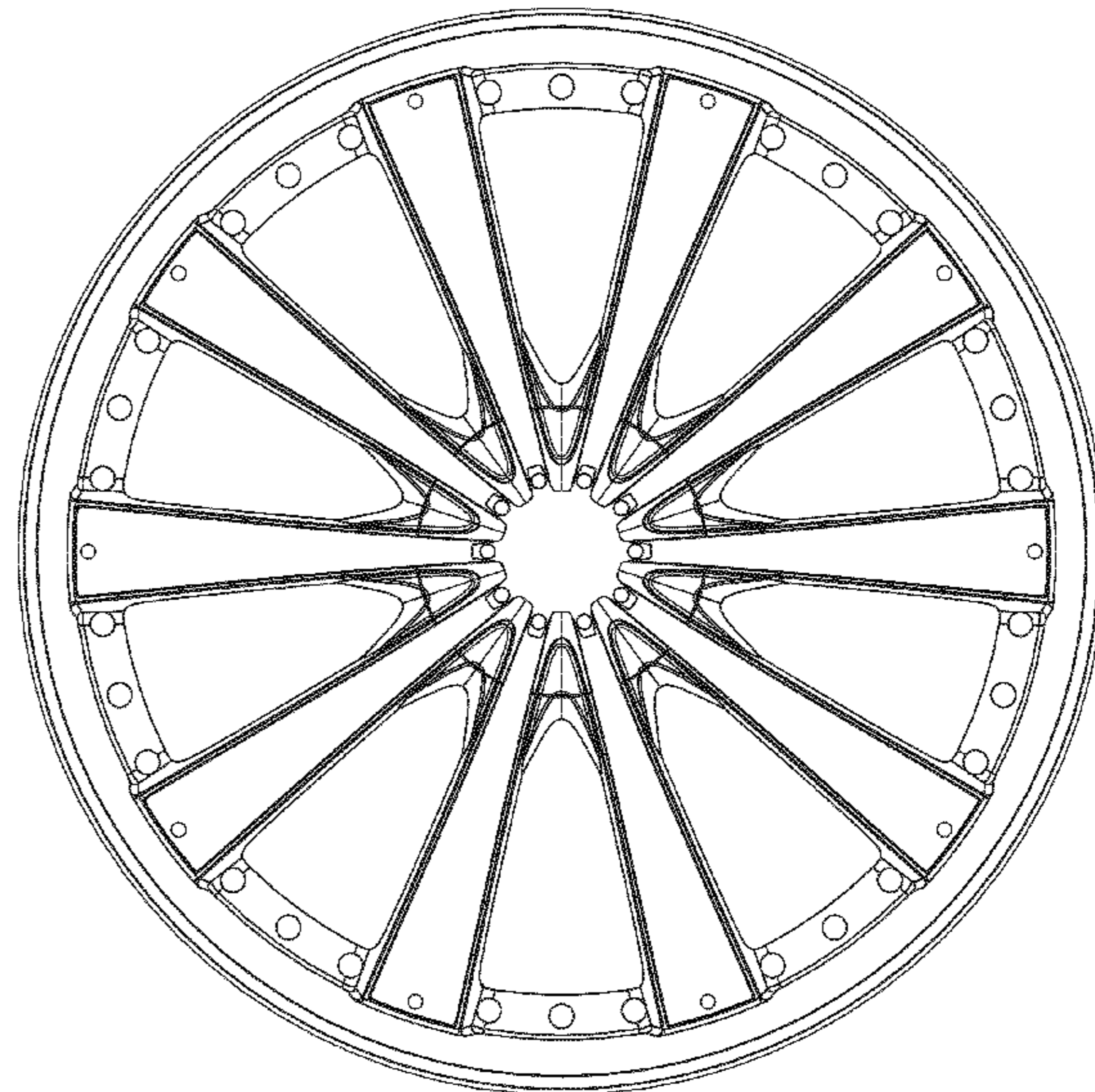
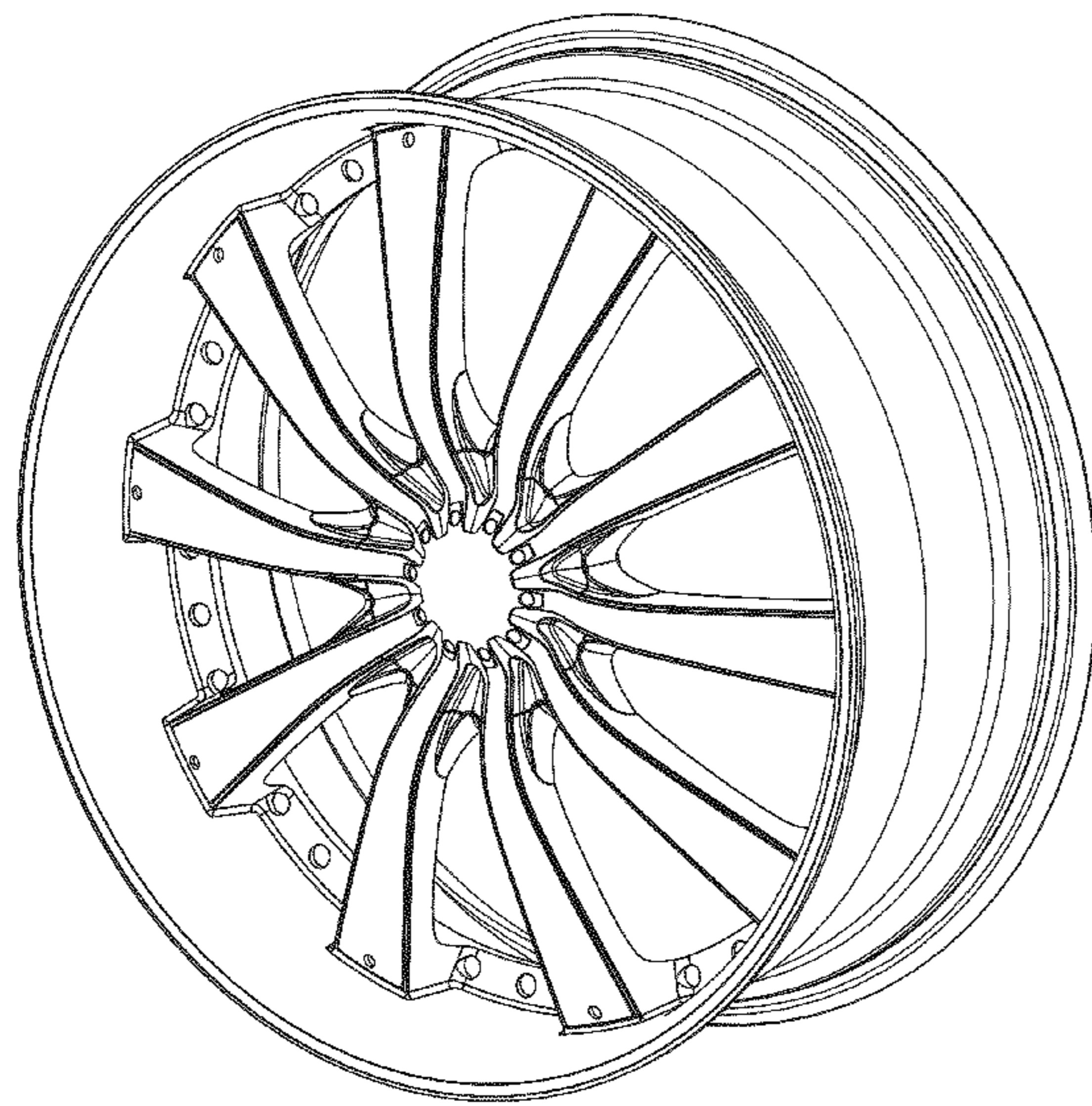




Fig. 1

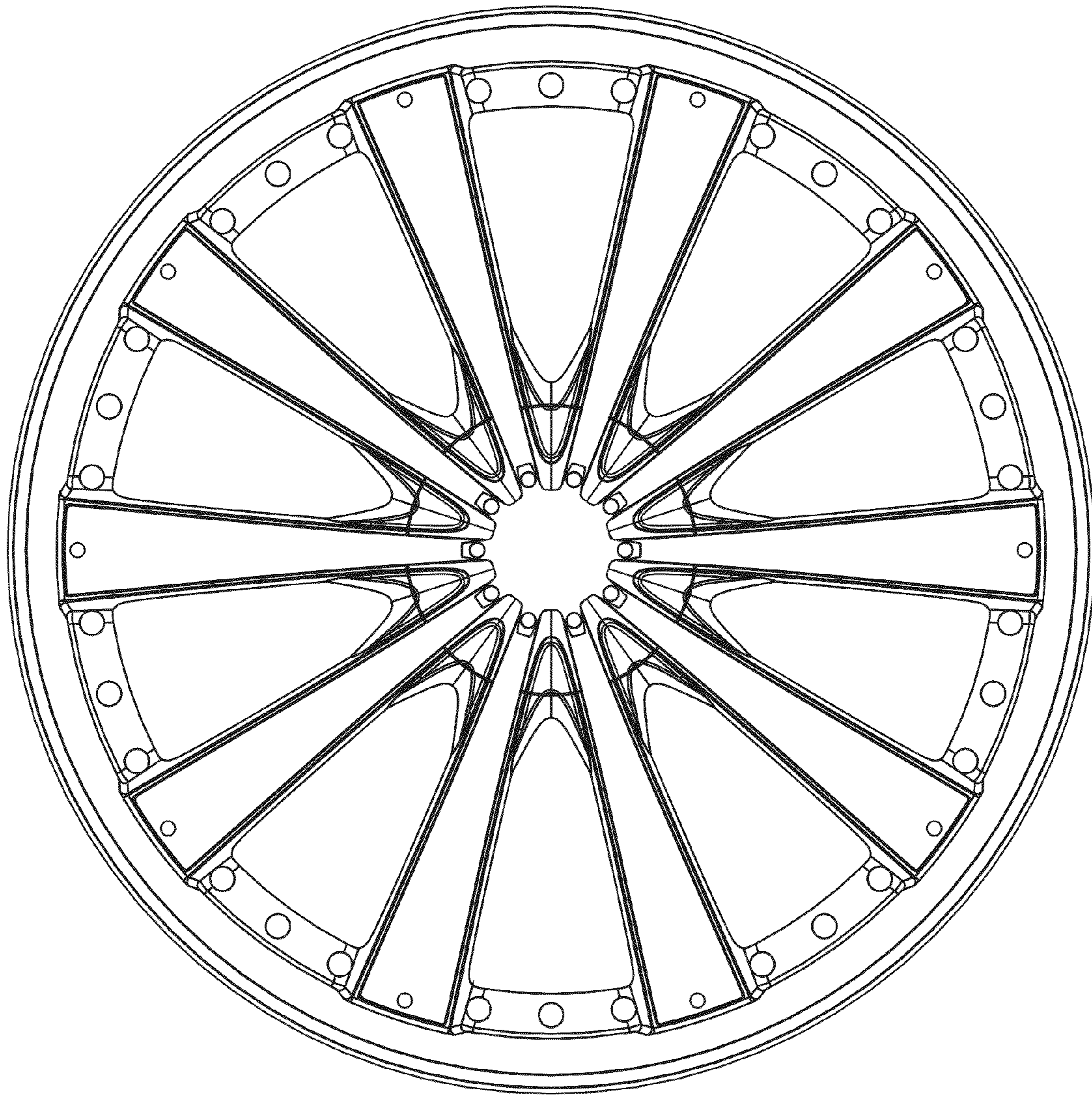


Fig. 2