



US00D695667S

(12) **United States Design Patent**
Zane

(10) **Patent No.:** **US D695,667 S**

(45) **Date of Patent:** **** Dec. 17, 2013**

(54) **WHEEL**

(71) Applicant: **Wheel Pros, LLC**, Lakewood, CO (US)

(72) Inventor: **David G. Zane**, Las Vegas, NV (US)

(73) Assignee: **Wheel Pros, LLC**, Greenwood Village, CO (US)

(**) Term: **14 Years**

(21) Appl. No.: **29/439,746**

(22) Filed: **Dec. 14, 2012**

Related U.S. Application Data

(62) Division of application No. 29/435,797, filed on Oct. 29, 2012.

(51) **LOC (9) Cl.** **12-16**

(52) **U.S. Cl.**
USPC **D12/209**

(58) **Field of Classification Search**
USPC D12/204-213; 301/37.101, 64.101, 65, 301/64.201

See application file for complete search history.

(56) **References Cited**

U.S. PATENT DOCUMENTS

| | | | | |
|--------------|---------|-----------------|-------|---------|
| D475,962 S * | 6/2003 | Chung | | D12/211 |
| D481,000 S * | 10/2003 | Wartono | | D12/209 |
| D488,116 S * | 4/2004 | Chung | | D12/209 |
| D488,762 S * | 4/2004 | Cahyono | | D12/209 |
| D489,308 S * | 5/2004 | Tirado | | D12/209 |
| D505,102 S * | 5/2005 | Cahyono | | D12/209 |
| D507,222 S * | 7/2005 | Arellano et al. | | D12/209 |
| D531,562 S * | 11/2006 | Kim | | D12/209 |
| D573,080 S * | 7/2008 | Kim | | D12/209 |
| D574,762 S * | 8/2008 | Kim | | D12/209 |
| D592,118 S * | 5/2009 | Chung | | D12/209 |
| D631,419 S * | 1/2011 | Kim | | D12/209 |
| D686,960 S * | 7/2013 | Claunch | | D12/209 |

* cited by examiner

Primary Examiner — Stacia Cadmus

(74) *Attorney, Agent, or Firm* — Garcia-Zamor IP Law; Ruy M. Garcia-Zamor

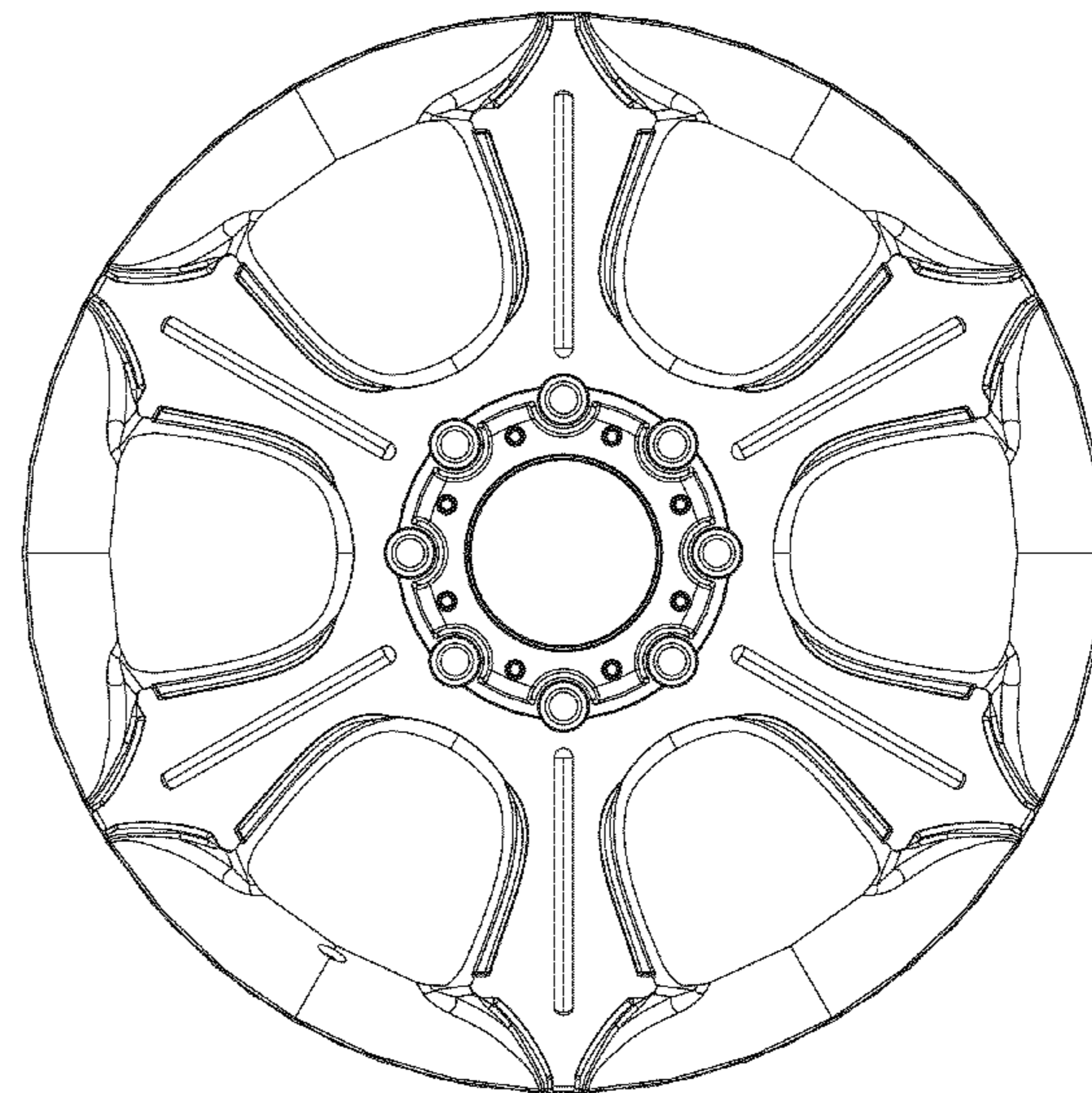
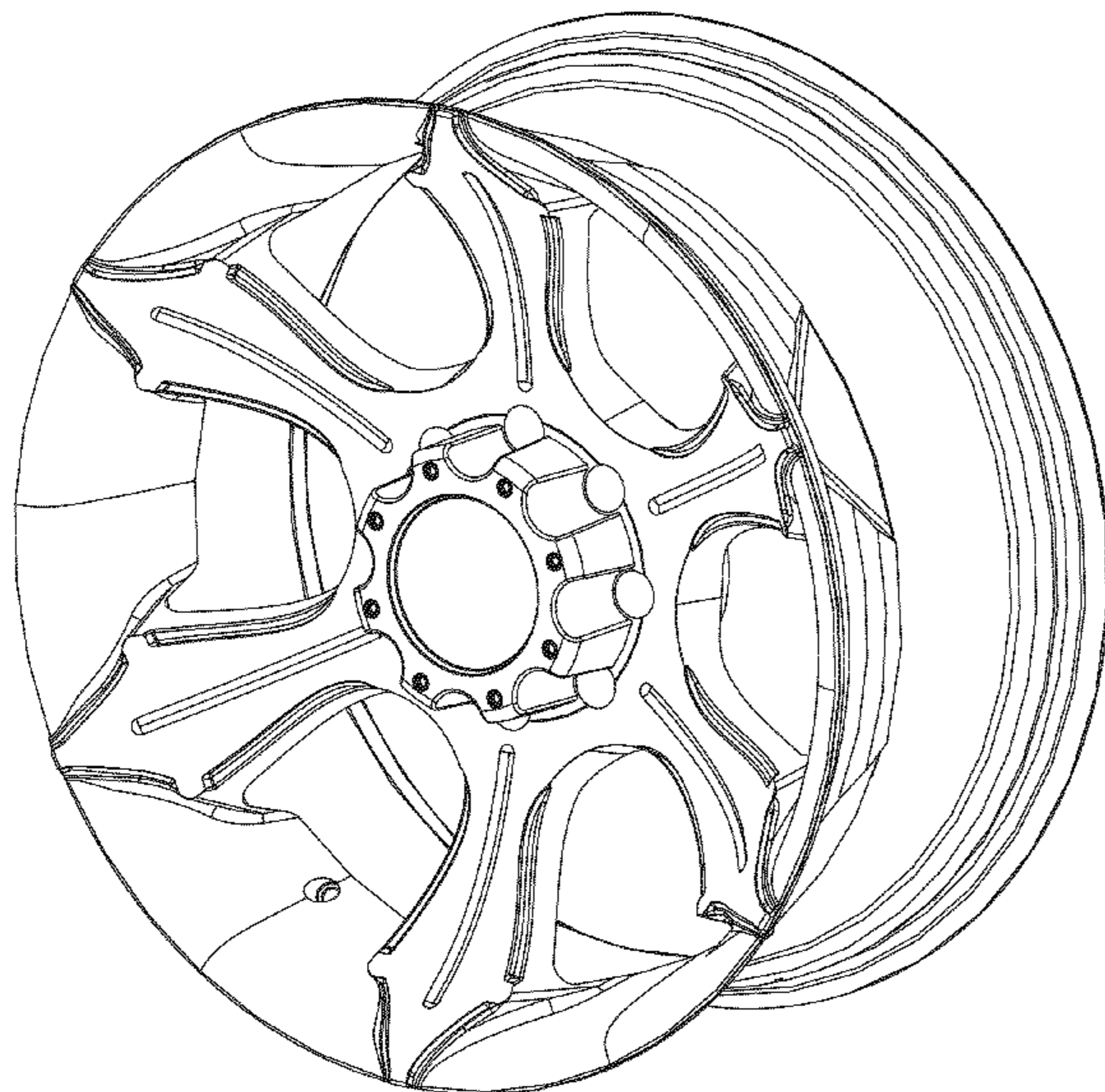
(57) **CLAIM**

The ornamental design for a wheel, as shown and described.

DESCRIPTION

FIG. 1 is a perspective view of a wheel, showing my new design; and, FIG. 2 is a front view thereof.

1 Claim, 2 Drawing Sheets



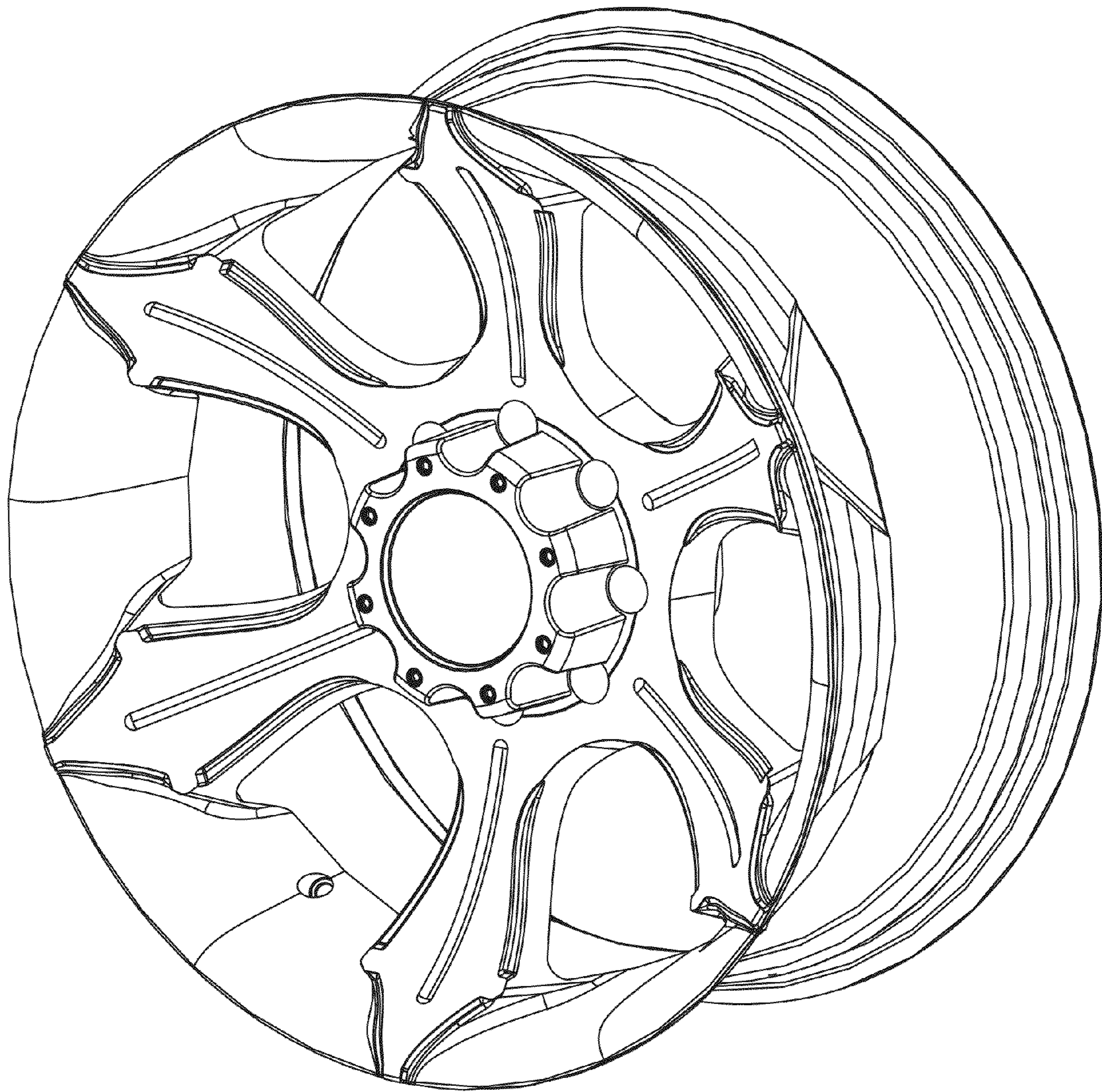


Fig. 1

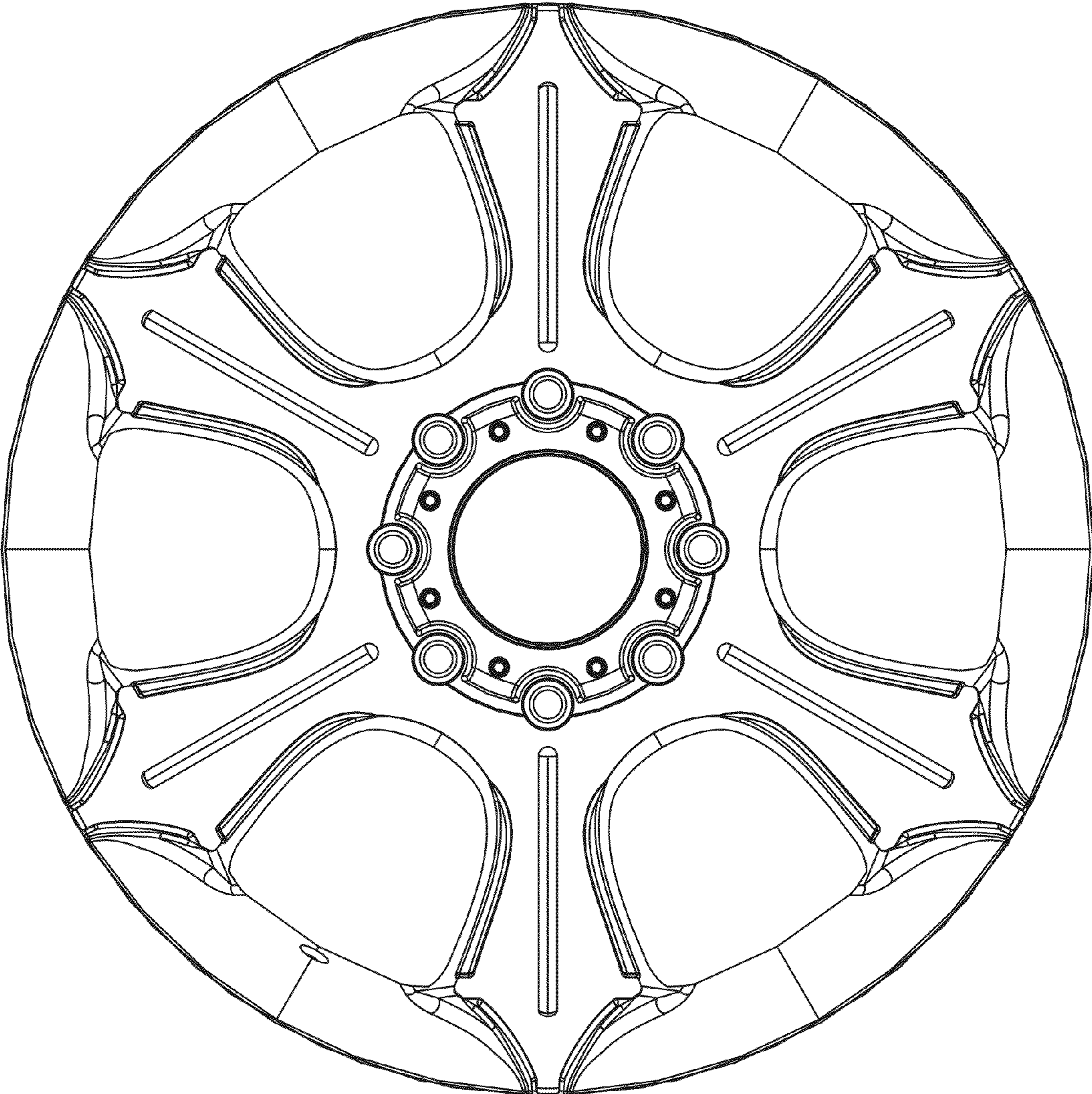


Fig. 2