

US00D695664S

(12) **United States Design Patent**
Suga et al.

(10) **Patent No.:** **US D695,664 S**

(45) **Date of Patent:** **** Dec. 17, 2013**

(54) **DOOR PANEL FOR AN AUTOMOBILE**

(75) Inventors: **Koichi Suga**, Toyota (JP); **Kenichi Hirai**, Toyota (JP); **Ken Billes**, Antibes (FR)

(73) Assignee: **Toyota Jidosha Kabushiki Kaisha** (JP)

(**) Term: **14 Years**

(21) Appl. No.: **29/425,603**

(22) Filed: **Jun. 25, 2012**

(51) **LOC (9) Cl.** **12-16**

(52) **U.S. Cl.**
USPC **D12/196**

(58) **Field of Classification Search**
USPC D12/196, 90-92, 86; 296/181.1, 181.5
See application file for complete search history.

(56) **References Cited**

U.S. PATENT DOCUMENTS

D508,004 S *	8/2005	Metros et al.	D12/196
D580,331 S *	11/2008	Gueler et al.	D12/196
D601,072 S *	9/2009	Giachin	D12/196
D633,839 S *	3/2011	Matei et al.	D12/196
D654,418 S *	2/2012	Hakamata et al.	D12/196
D655,656 S *	3/2012	Kubo et al.	D12/196
D676,366 S *	2/2013	Yamada et al.	D12/196
D686,553 S *	7/2013	Kwon et al.	D12/196

OTHER PUBLICATIONS

Renault, Renault Megane, NetCarShow.com, http://www.netcarshow.com/renault/2009-megane/800x600/wallpaper_04.htm, available at least as early as Feb. 25, 2011.

Opel, Opel Astra Tourer, NetCarShow.com, http://www.netcarshow.com/opel/2011-astra_sports_tourer/800x600/wallpaper_1b.htm, available at least as early as Feb. 25, 2011.

Toyota, Toyota Venza, NetCarShow.com, http://www.netcarshow.com/toyota/2009-venza/800x600/wallpaper_1a.htm, available at least as early as Feb. 25, 2011.

* cited by examiner

Primary Examiner — Melody Brown

(74) *Attorney, Agent, or Firm* — Saidman DesignLaw Group

(57) **CLAIM**

The ornamental design for a door panel for an automobile, as shown and described.

DESCRIPTION

FIG. 1 is a front, perspective view of a door panel for an automobile showing our new design;

FIG. 2 is a rear, perspective view thereof;

FIG. 3 is a front view thereof;

FIG. 4 is a rear view thereof;

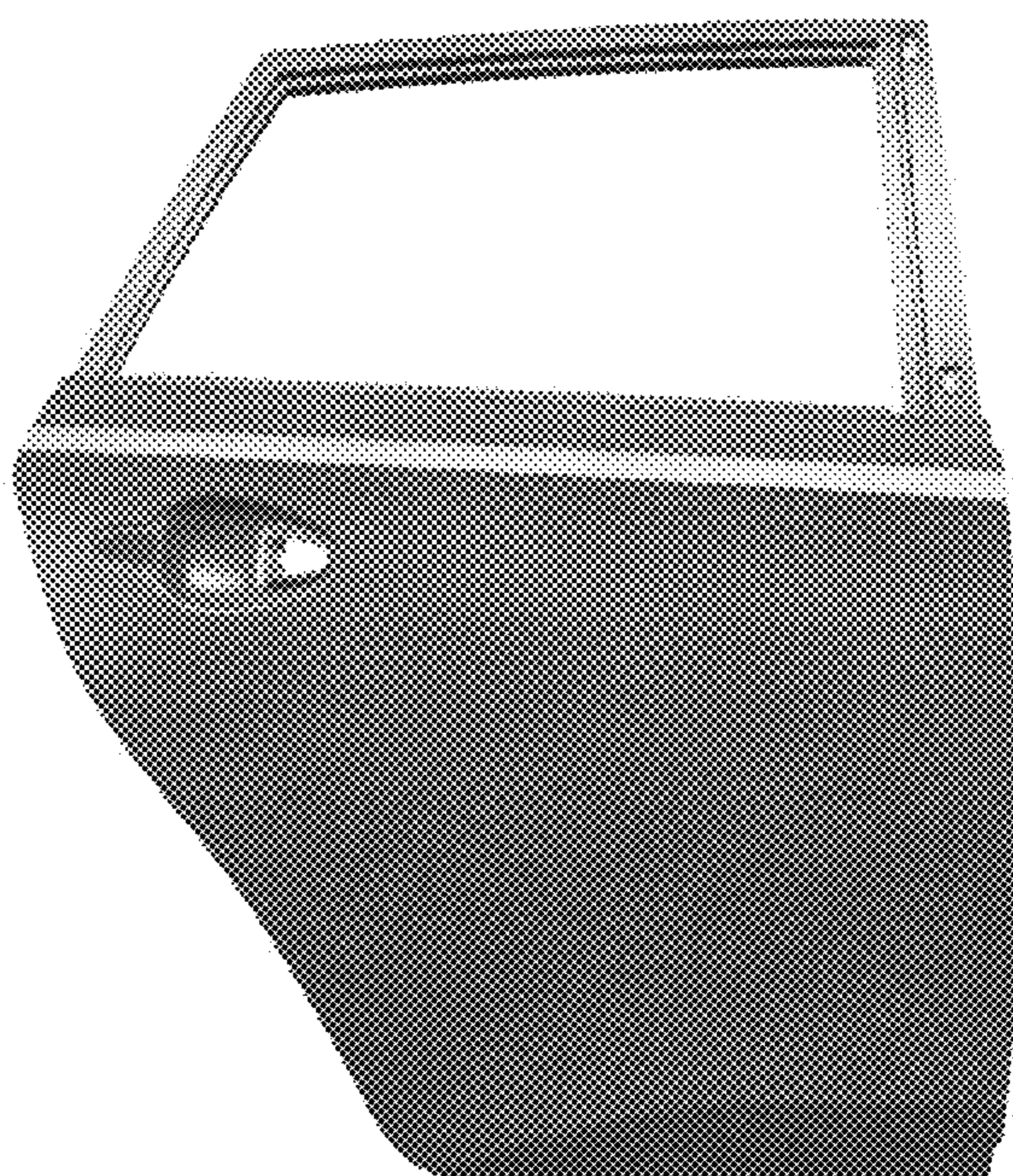
FIG. 5 is a top view thereof;

FIG. 6 is a bottom view thereof;

FIG. 7 is a left side view thereof; and,

FIG. 8 is a right side view thereof.

1 Claim, 6 Drawing Sheets



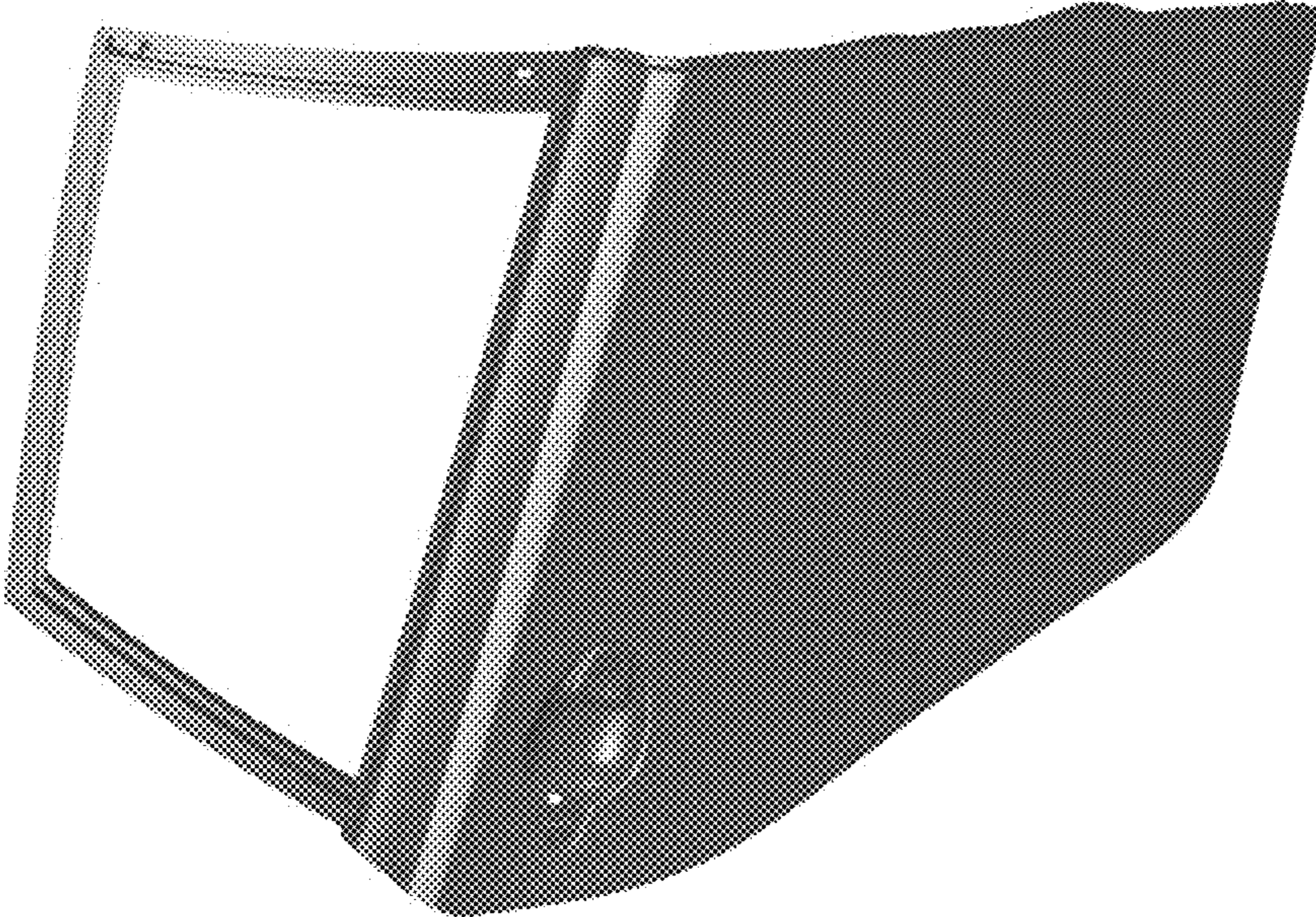


FIG. 1

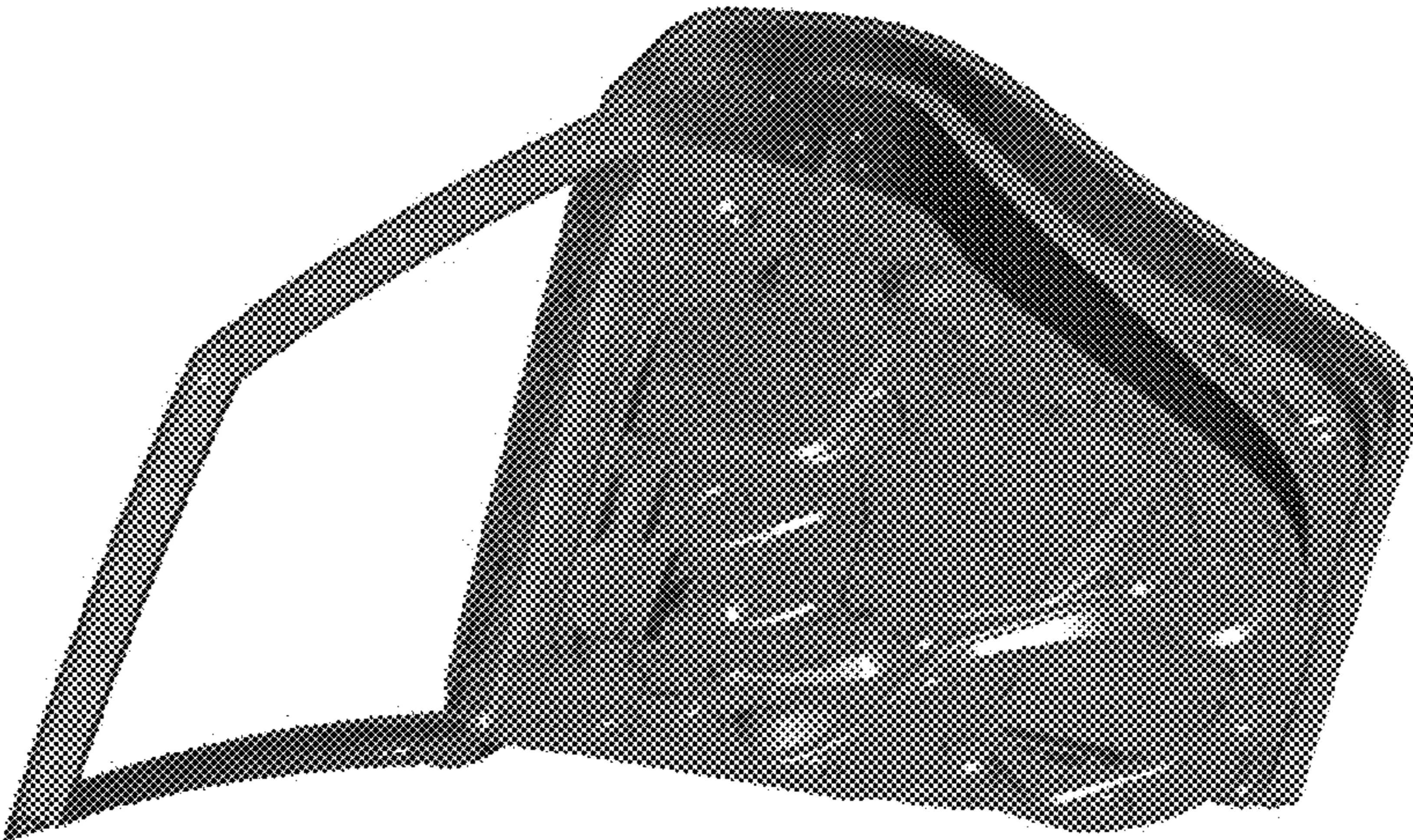


FIG. 2

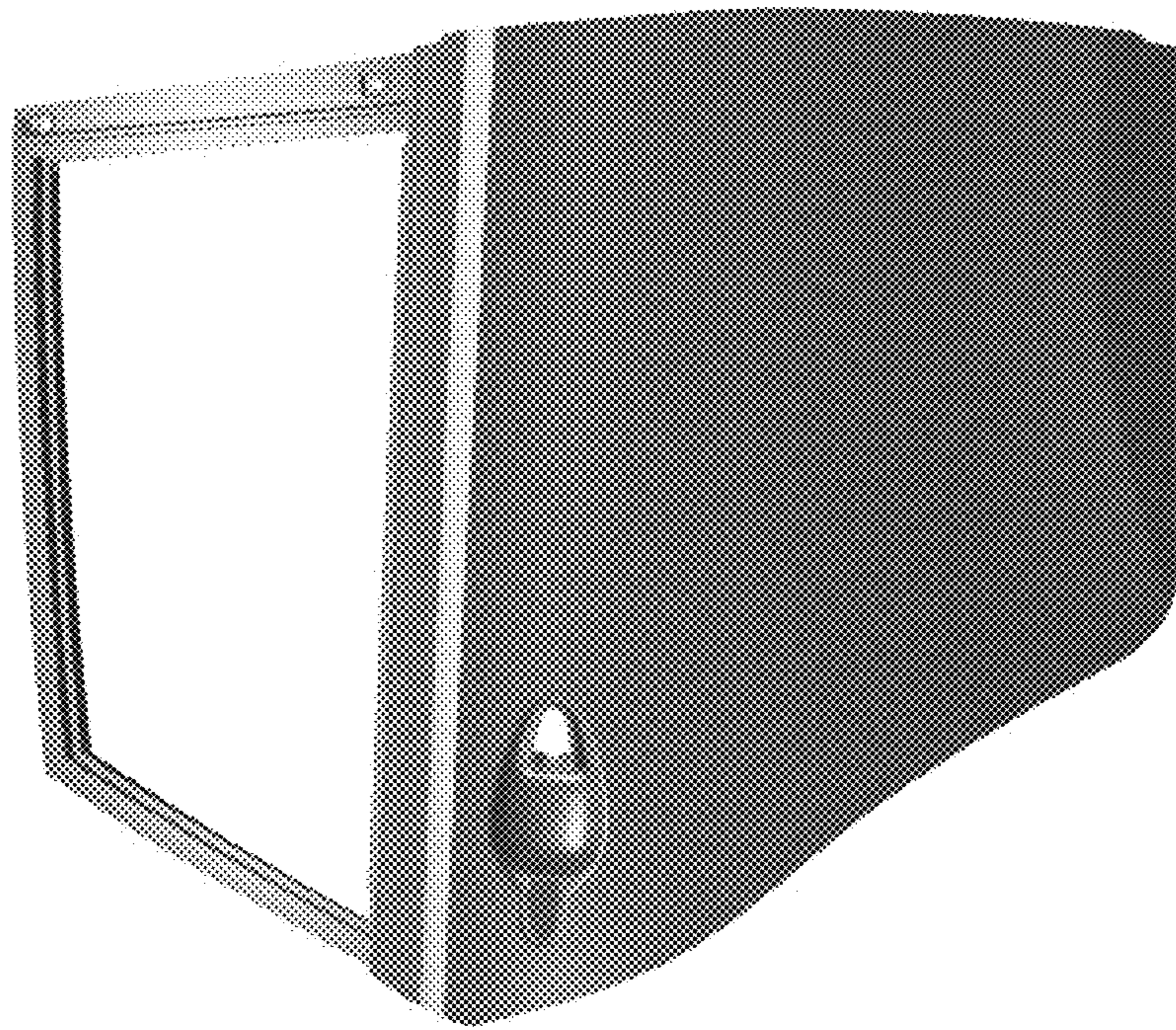


FIG. 3

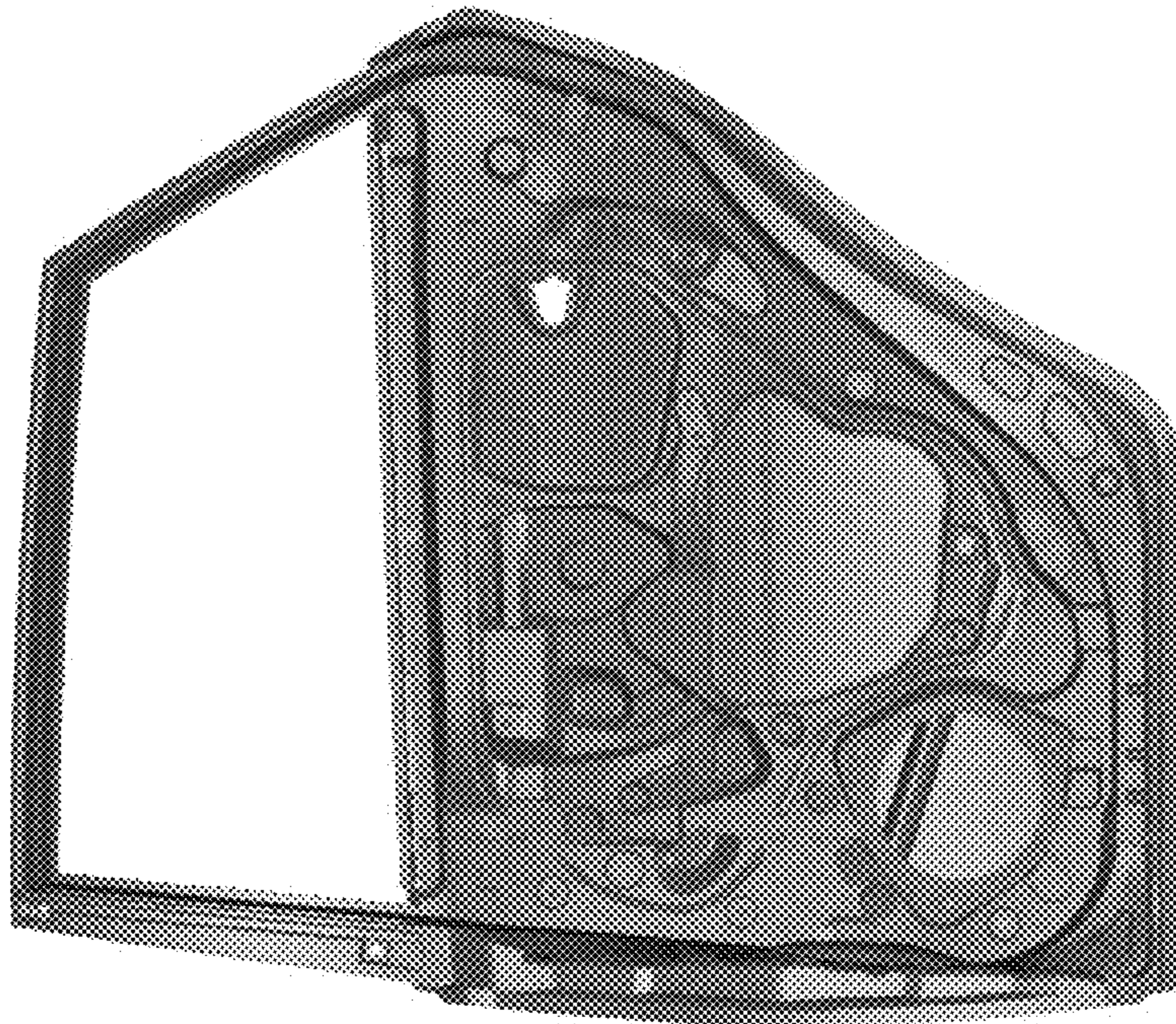


FIG. 4

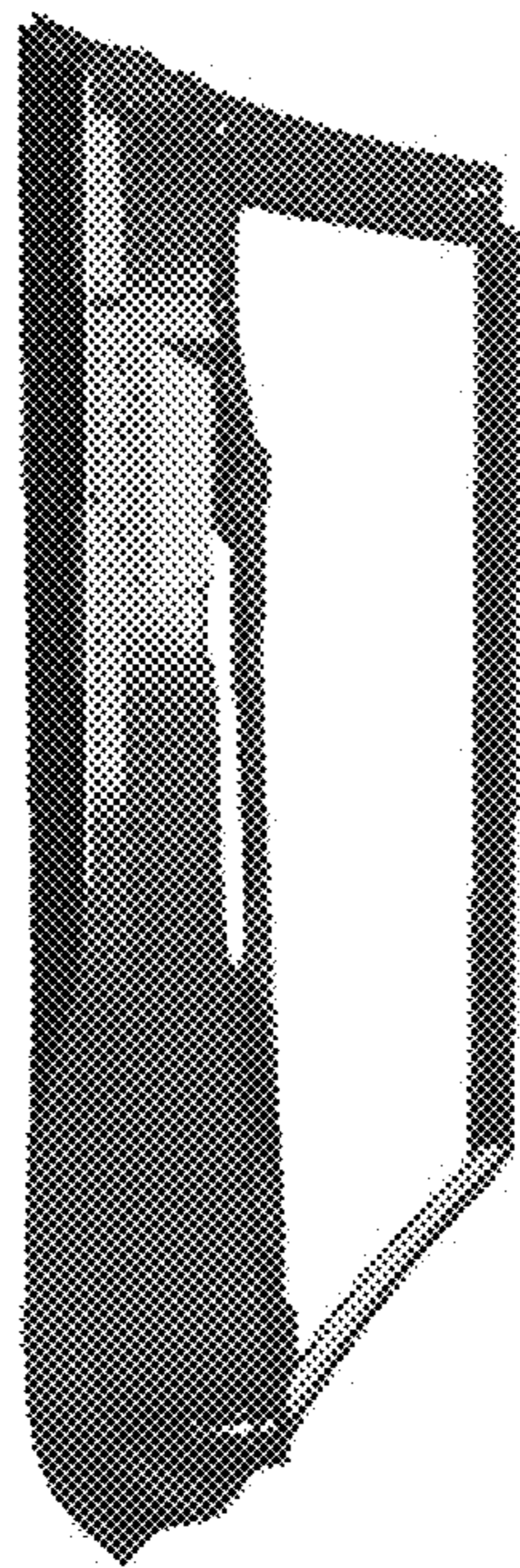


FIG. 6

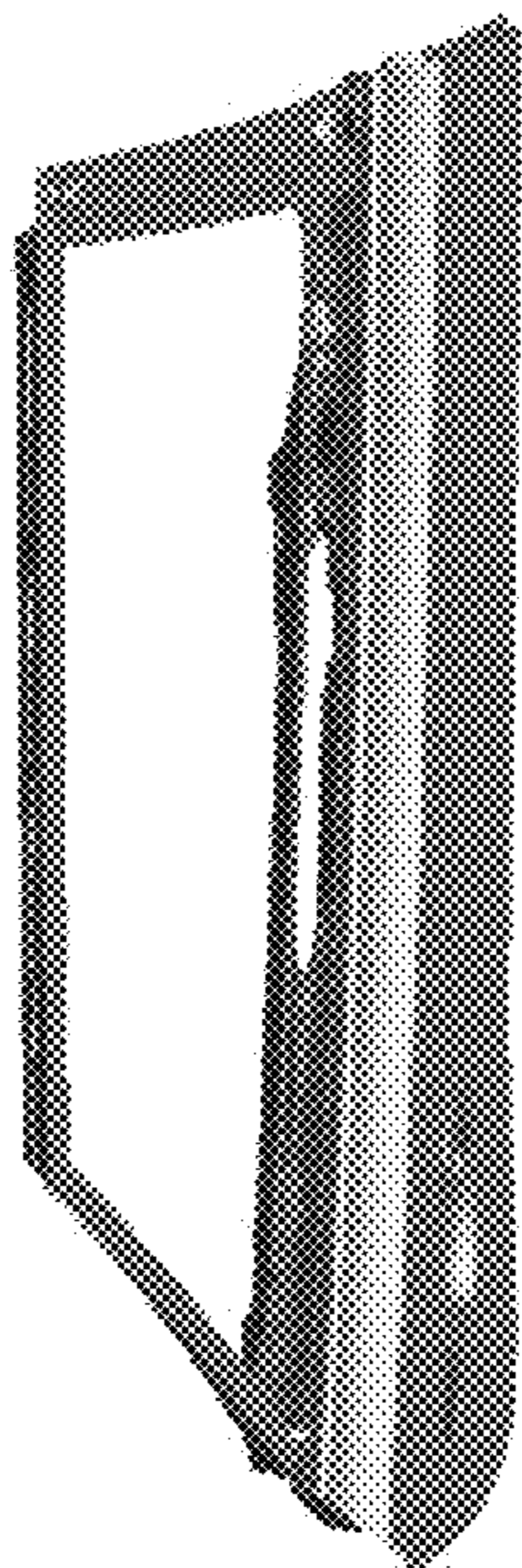


FIG. 5

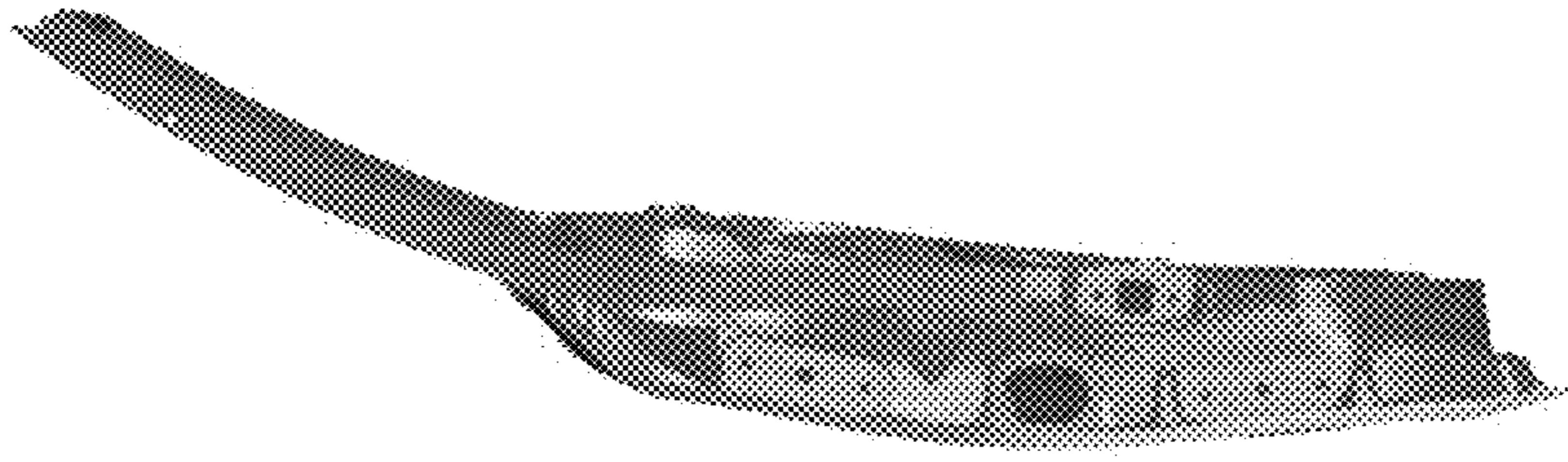


FIG. 8

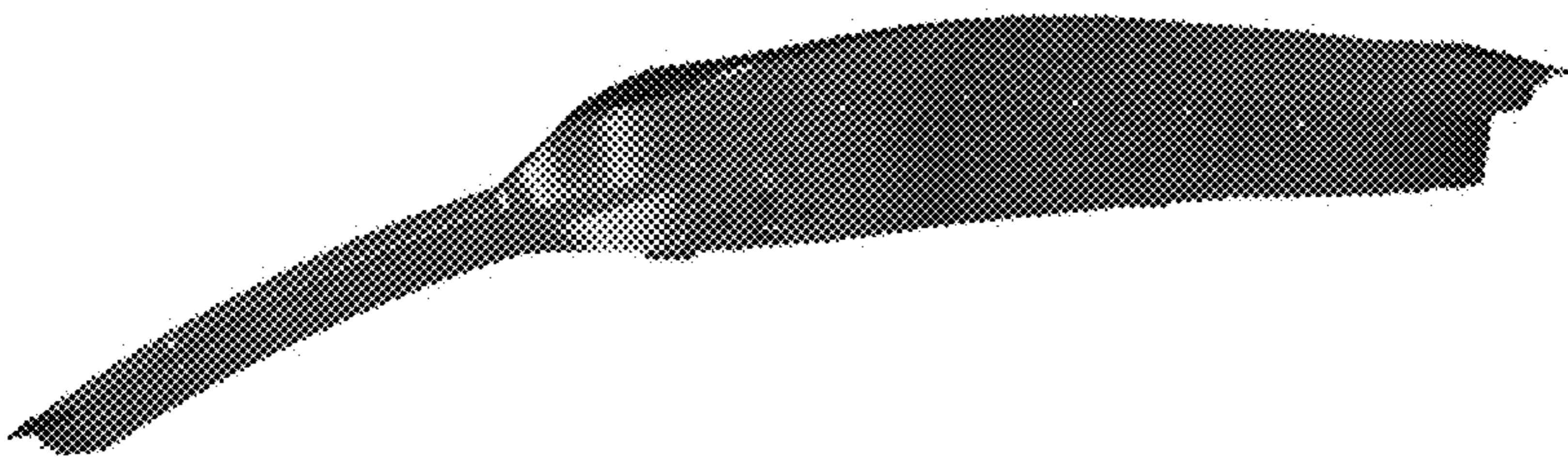


FIG. 7