

US00D695662S

(12) **United States Design Patent**  
**Suga et al.**

(10) **Patent No.:** **US D695,662 S**  
(45) **Date of Patent:** **\*\* Dec. 17, 2013**

- (54) **FENDER FOR AN AUTOMOBILE**
- (75) Inventors: **Koichi Suga**, Toyota (JP); **Kenichi Hirai**, Toyota (JP); **Ken Billes**, Antibes (FR); **Jun Takahashi**, Susono (JP)
- (73) Assignee: **Toyota Jidosha Kabushiki Kaisha** (JP)
- (\*\*) Term: **14 Years**
- (21) Appl. No.: **29/425,596**
- (22) Filed: **Jun. 25, 2012**
- (51) **LOC (9) Cl.** ..... **12-16**
- (52) **U.S. Cl.**  
USPC ..... **D12/196**
- (58) **Field of Classification Search**  
USPC ..... D12/184, 196, 90-92, 181; 280/152.1, 280/847-849, 851; 296/181.1, 181.5  
See application file for complete search history.

- D658,557 S \* 5/2012 Hakamata et al. .... D12/196
- D658,558 S \* 5/2012 Hakamata et al. .... D12/196
- D660,216 S \* 5/2012 Ikuma et al. .... D12/196

**OTHER PUBLICATIONS**

Renault, Renault Megane, NetCarShow.com, [http://www.netcarshow.com/renault/2009-megane/800x600/wallpaper\\_od.htm](http://www.netcarshow.com/renault/2009-megane/800x600/wallpaper_od.htm), available at least as early as Jun. 25, 2011.

\* cited by examiner

*Primary Examiner* — Melody Brown  
(74) *Attorney, Agent, or Firm* — SAIDMAN DesignLaw Group

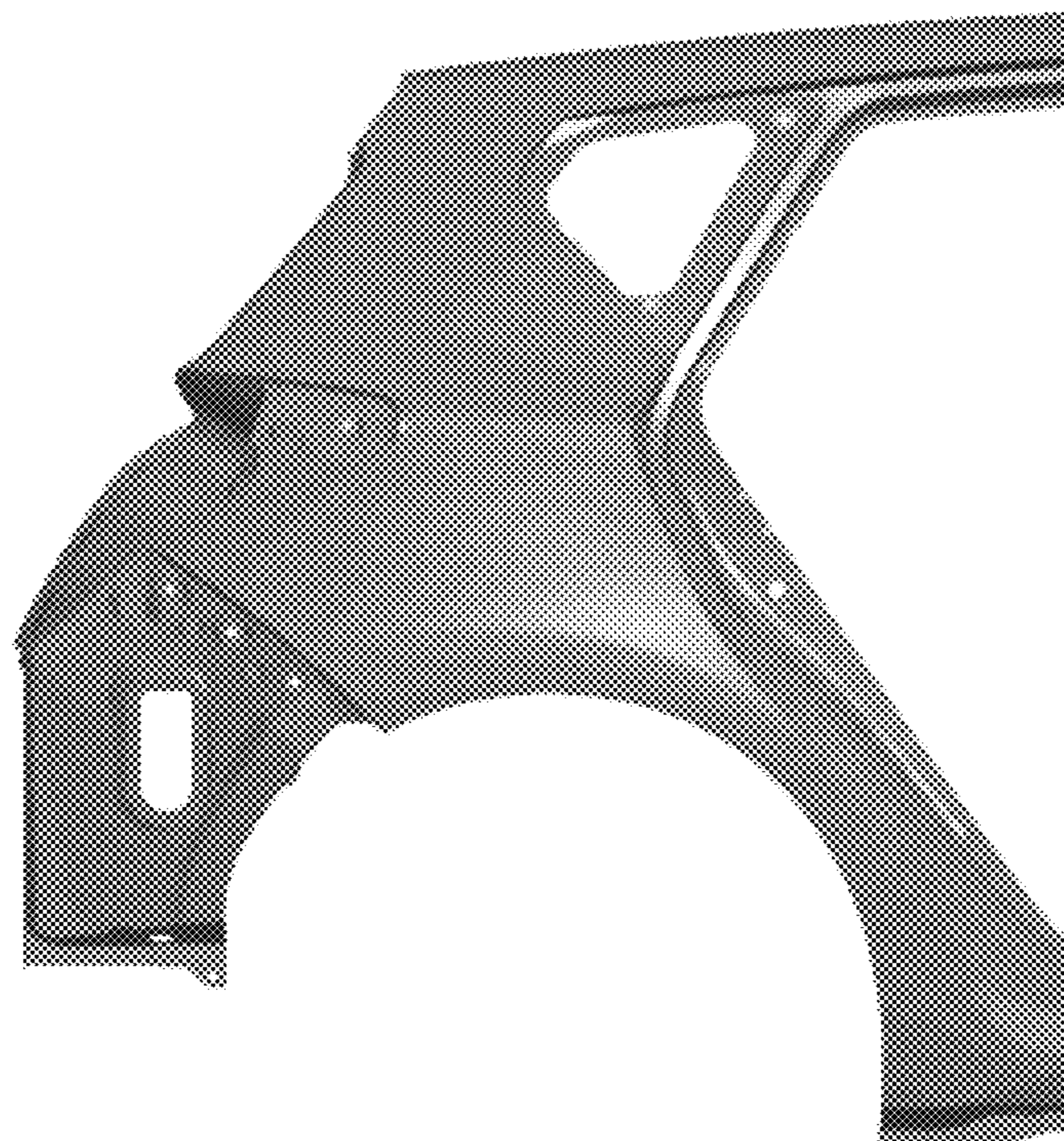
(57) **CLAIM**  
The ornamental design for a fender for an automobile, as shown and described.

**DESCRIPTION**

FIG. 1 is a front, perspective view of a fender for an automobile showing our new design;  
FIG. 2 is a rear, perspective view thereof;  
FIG. 3 is a front view thereof;  
FIG. 4 is a rear view thereof;  
FIG. 5 is a top view thereof;  
FIG. 6 is a bottom view thereof;  
FIG. 7 is a right side view thereof; and,  
FIG. 8 is a left side view thereof.

**1 Claim, 7 Drawing Sheets**

- (56) **References Cited**  
U.S. PATENT DOCUMENTS
- D592,117 S \* 5/2009 Ward ..... D12/196
- D605,101 S \* 12/2009 Mueller ..... D12/196
- D605,572 S \* 12/2009 Ward ..... D12/196
- D620,413 S \* 7/2010 Huet ..... D12/184
- D633,838 S \* 3/2011 Loeb ..... D12/196



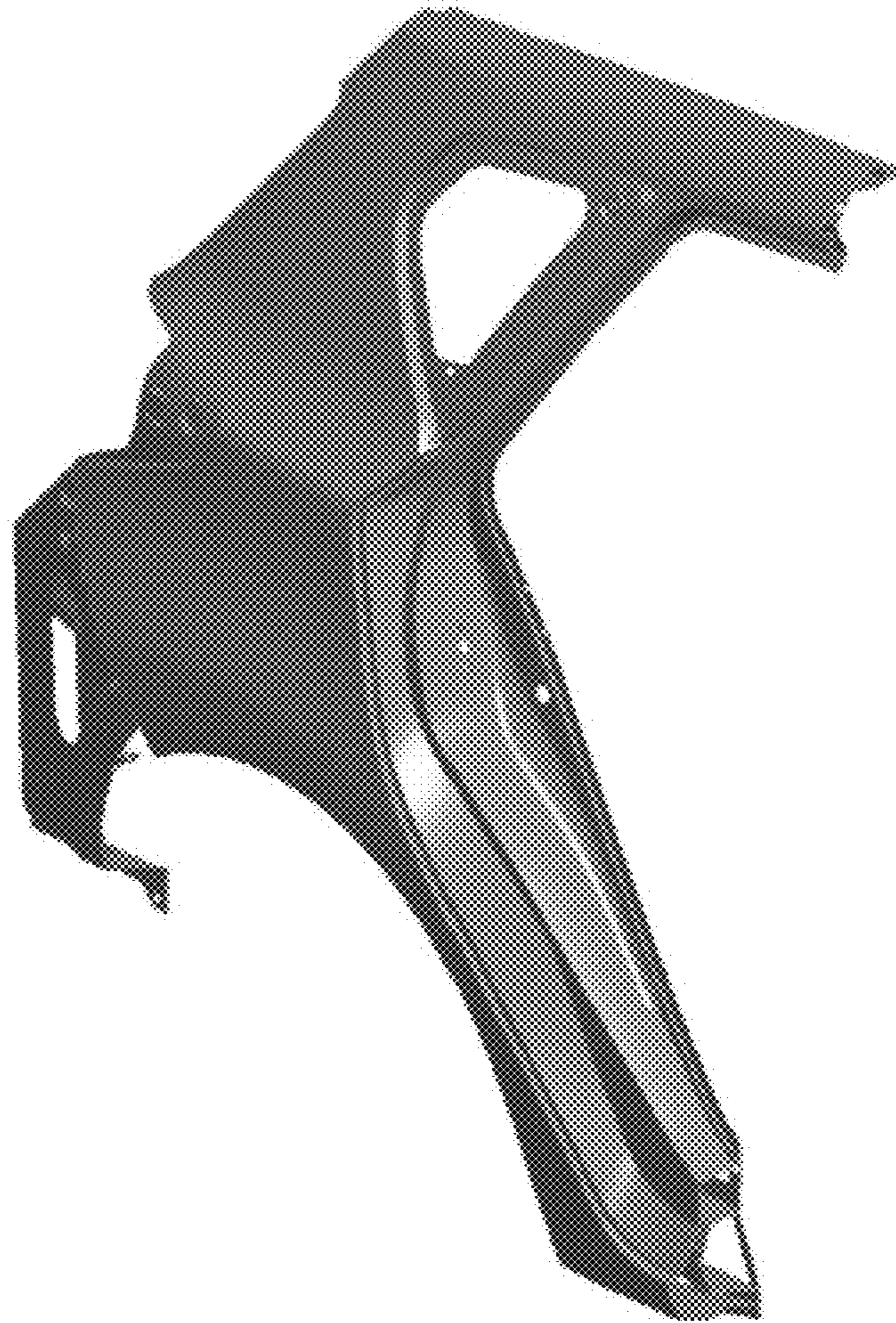


FIG. 1



FIG. 2

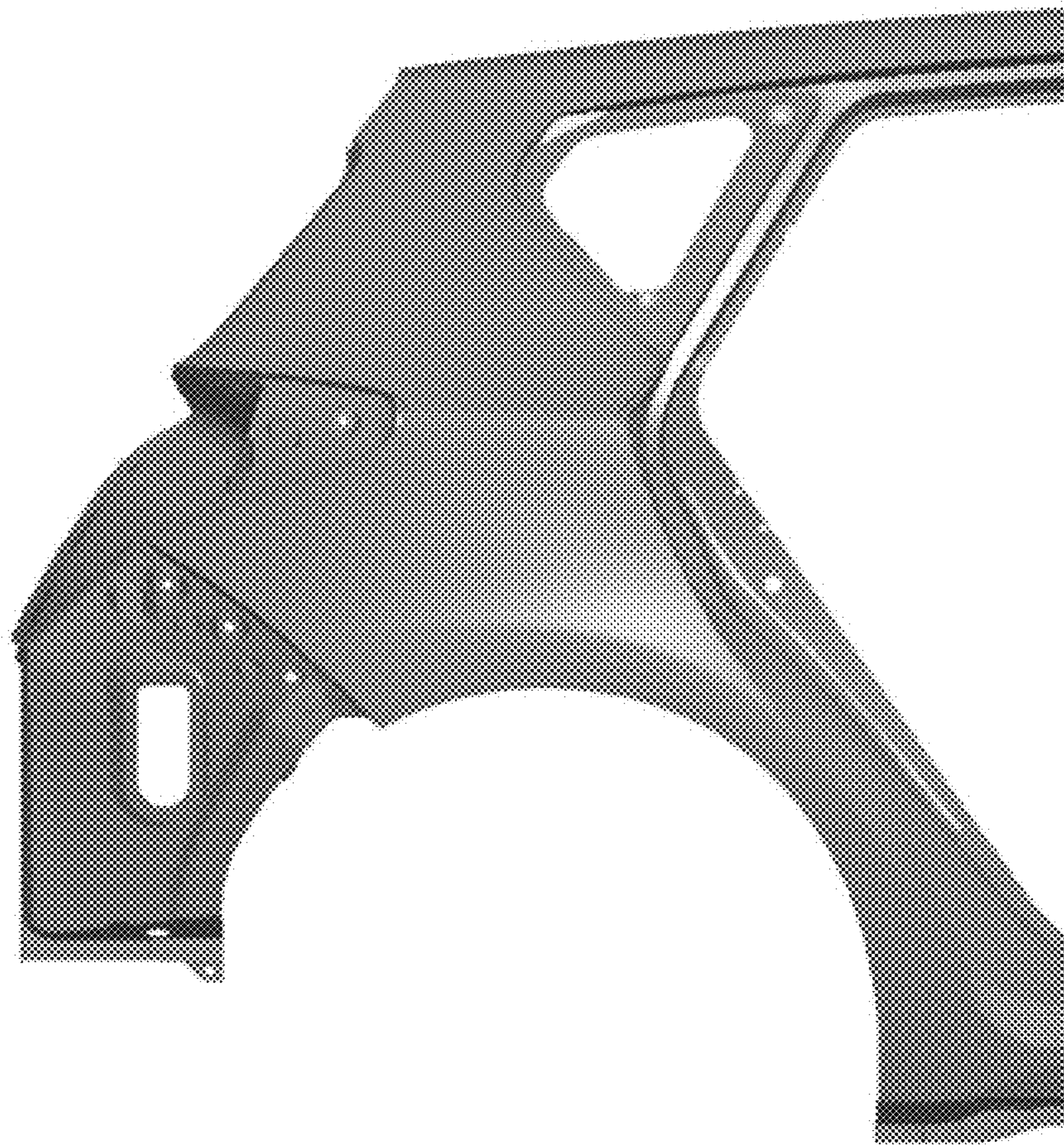


FIG. 3



FIG. 4

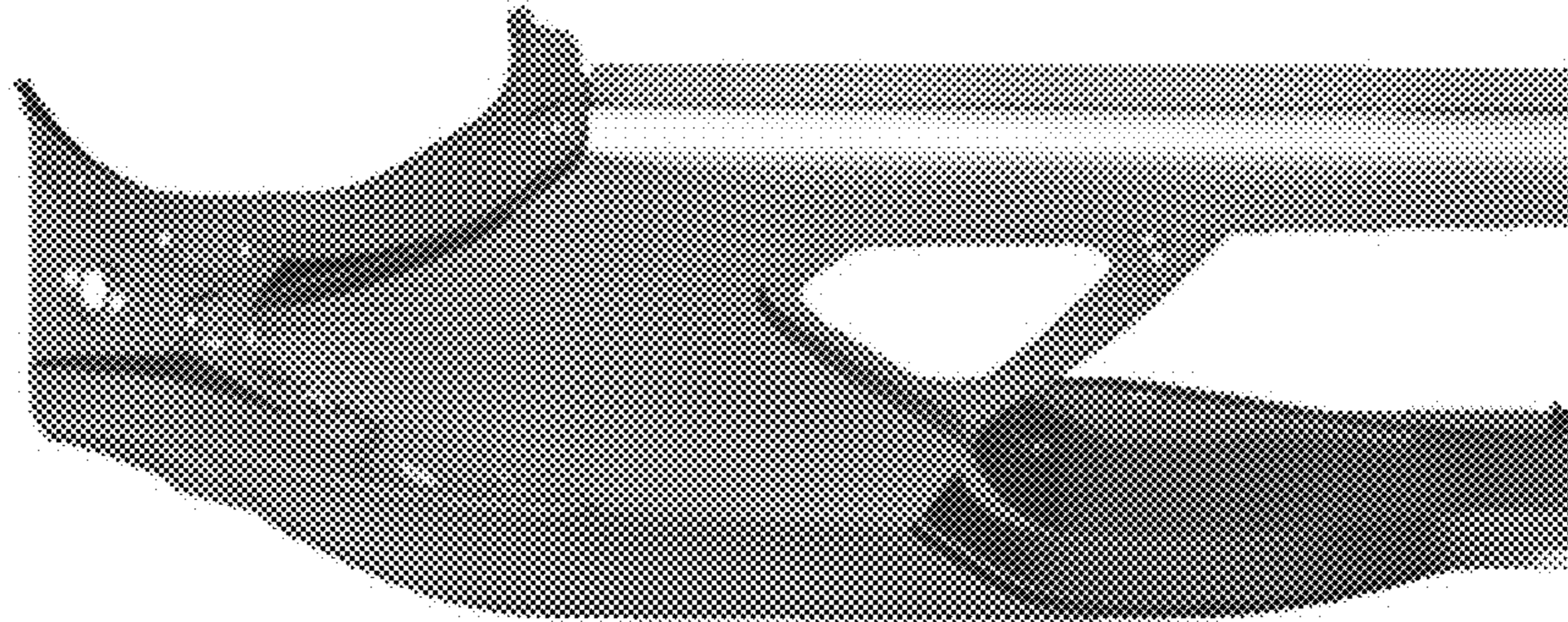


FIG. 5

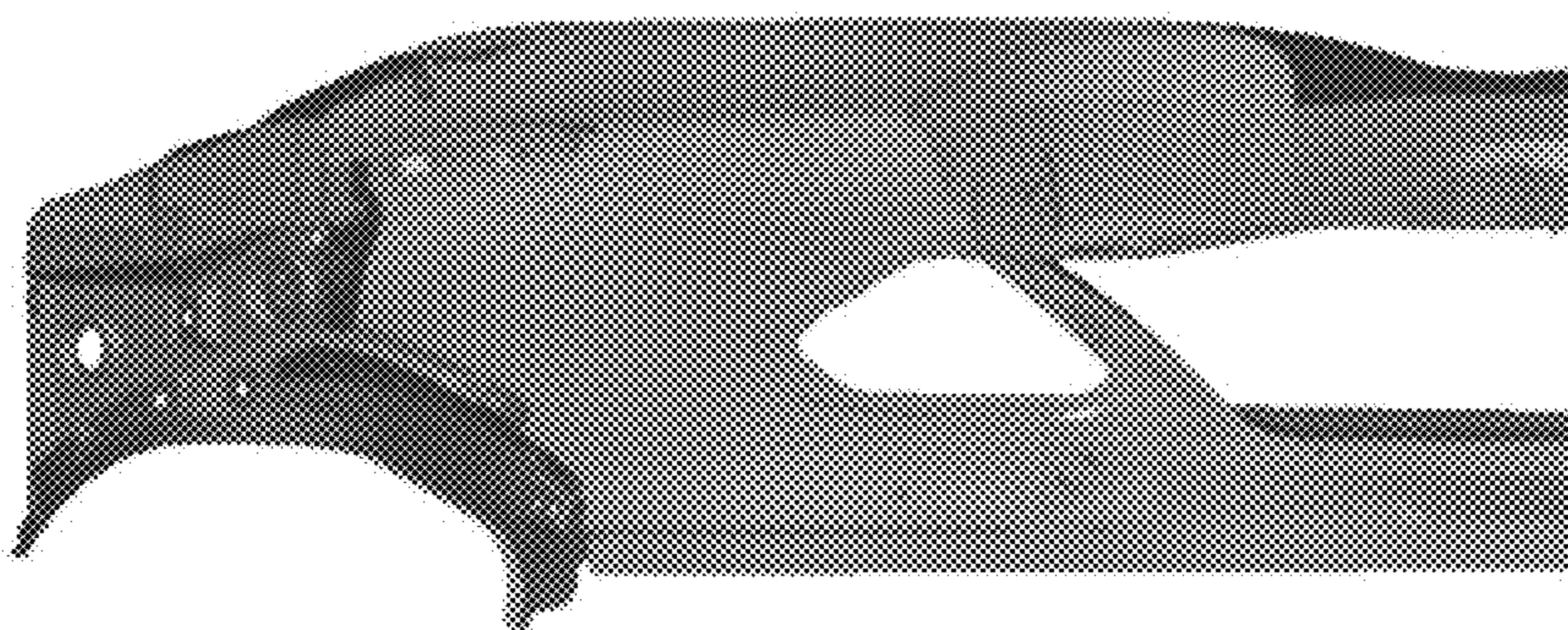


FIG. 6

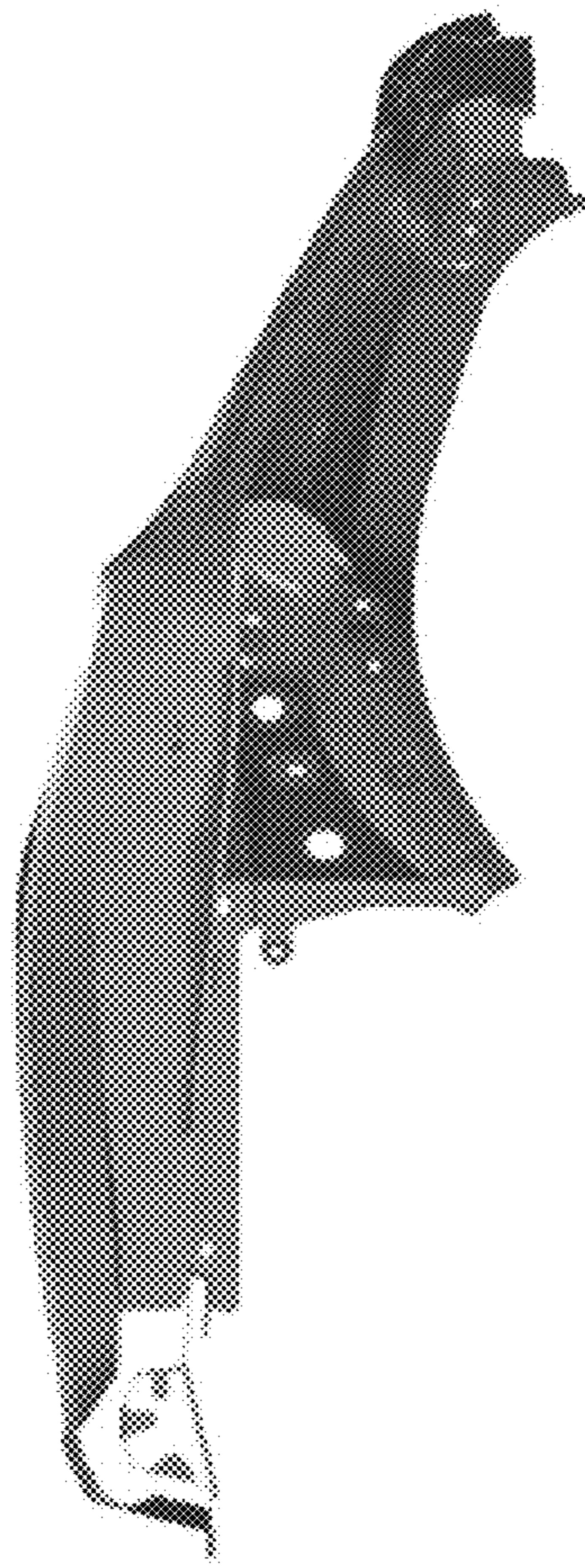


FIG. 7

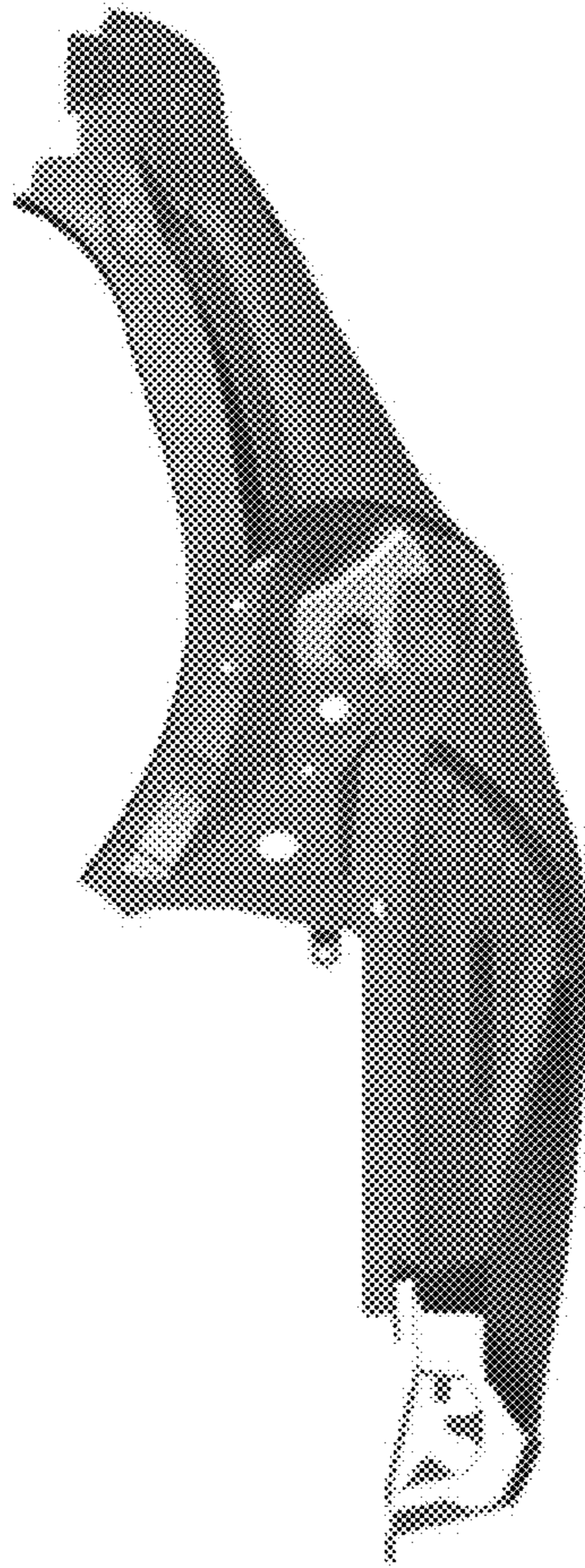


FIG. 8