

US00D695658S

(12) **United States Design Patent**
Igarashi et al.

(10) **Patent No.:** **US D695,658 S**

(45) **Date of Patent:** **** Dec. 17, 2013**

(54) **INSTRUMENT PANEL FOR AUTOMOBILE**

FOREIGN PATENT DOCUMENTS

(75) Inventors: **Tomihisa Igarashi**, Kanagawa (JP);
Yukio Kikuta, Kanagawa (JP)

JP D1308920 S 9/2007
JP D1340050 S 9/2008

(73) Assignee: **Nissan Motor Co., Ltd.**, Yokohama (JP)

(**) Term: **14 Years**

OTHER PUBLICATIONS

(21) Appl. No.: **29/407,534**

http://www.netcarshow.com/infiniti/2012-fx35/1024x768/wallpaper_08.htm
http://www.netcarshow.com/infiniti/2011-m35h/1024x768/wallpaper_27.htm

(22) Filed: **Nov. 30, 2011**

* cited by examiner

(30) **Foreign Application Priority Data**

Primary Examiner — Katrina A Betton

Jul. 13, 2011 (JP) 2011-016029

(74) *Attorney, Agent, or Firm* — Global IP Counselors, LLP

(51) **LOC (9) Cl.** **12-16**

(57) **CLAIM**

(52) **U.S. Cl.**

The ornamental design for an instrument panel for an automobile, as shown and described.

USPC **D12/192**

DESCRIPTION

(58) **Field of Classification Search**

USPC D12/192, 415, 110, 114; 180/90;
280/750-752; 296/190.01-190.09,
296/191, 70; D15/17, 28; D10/46, 98,
D10/102-103, 122-127

See application file for complete search history.

FIG. 1 is a front elevational view of an instrument panel for an automobile in accordance with our new design;
FIG. 2 is a top plan view of the instrument panel in accordance with our new design of FIG. 1;
FIG. 3 is a bottom plan view of the instrument panel in accordance with our new design of FIGS. 1 and 2;
FIG. 4 is a left side elevational view of the instrument panel in accordance with our new design of FIGS. 1 to 3;
FIG. 5 is a right side elevational view of the instrument panel in accordance with our new design of FIGS. 1 to 4;
FIG. 6 is a front, left and top side perspective view of the instrument panel in accordance with our new design of FIGS. 1 to 5; and,
FIG. 7 is a front, right and bottom side perspective view of the instrument panel in accordance with our new design of FIGS. 1 to 6.

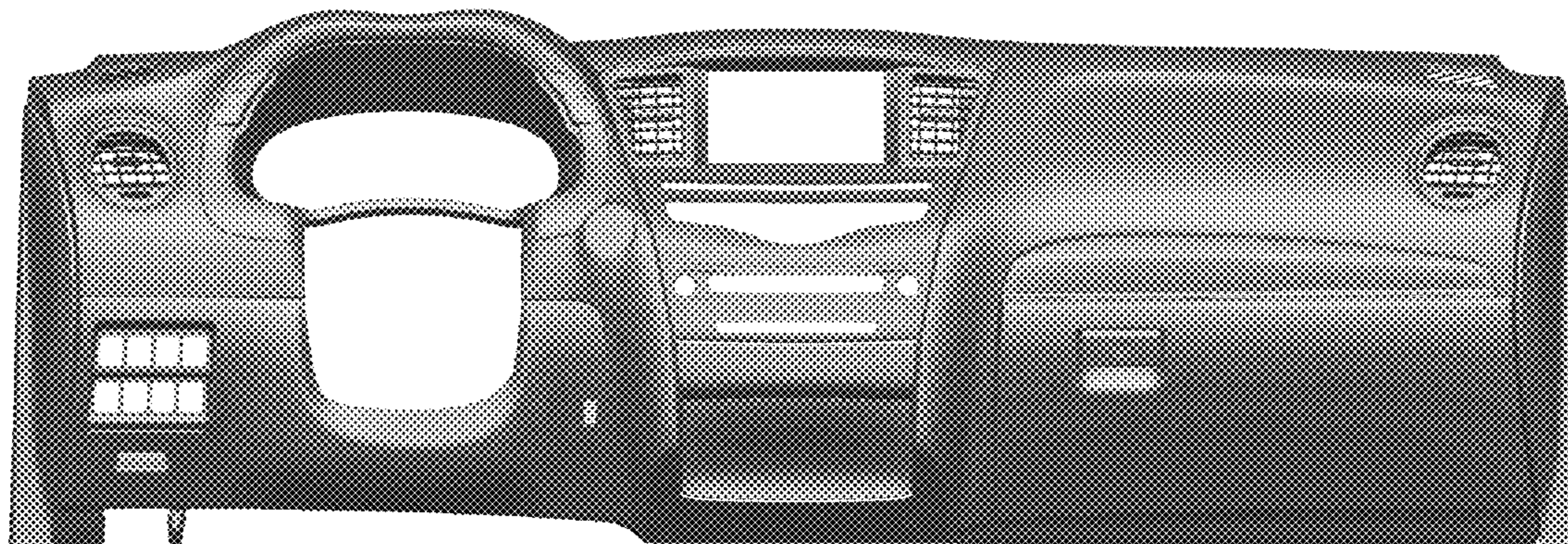
(56) **References Cited**

U.S. PATENT DOCUMENTS

D413,095 S *	8/1999	Abalos et al.	D12/192
D470,807 S *	2/2003	Wyszogrod et al.	D12/192
D519,893 S *	5/2006	Kabayama et al.	D12/192
D549,628 S *	8/2007	Esaki et al.	D12/192
D567,162 S *	4/2008	Motozaki et al.	D12/192
D567,727 S *	4/2008	Kawaguchi et al.	D12/192
D577,640 S *	9/2008	Wyszogrod et al.	D12/192
D604,217 S *	11/2009	Kabayama	D12/192
D653,185 S *	1/2012	Senda et al.	D12/192
D656,074 S *	3/2012	Ohmori et al.	D12/192

The rear view of the instrument panel forms no part of the claimed design.

1 Claim, 7 Drawing Sheets



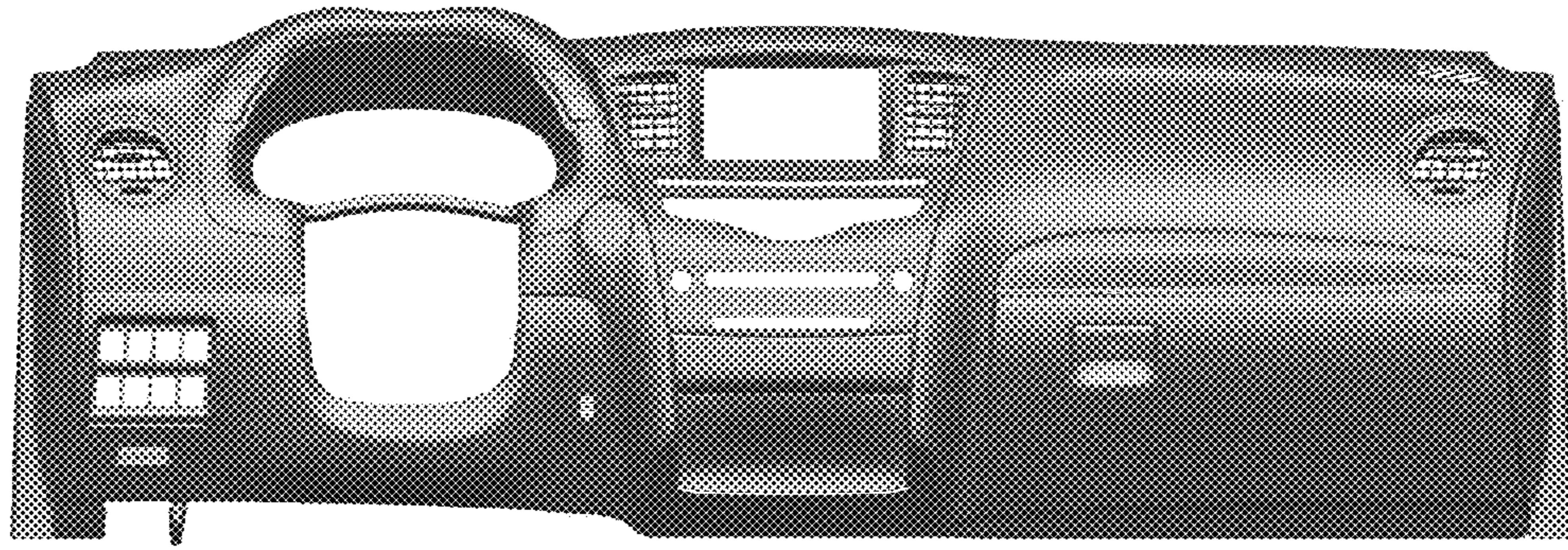


FIG. 1

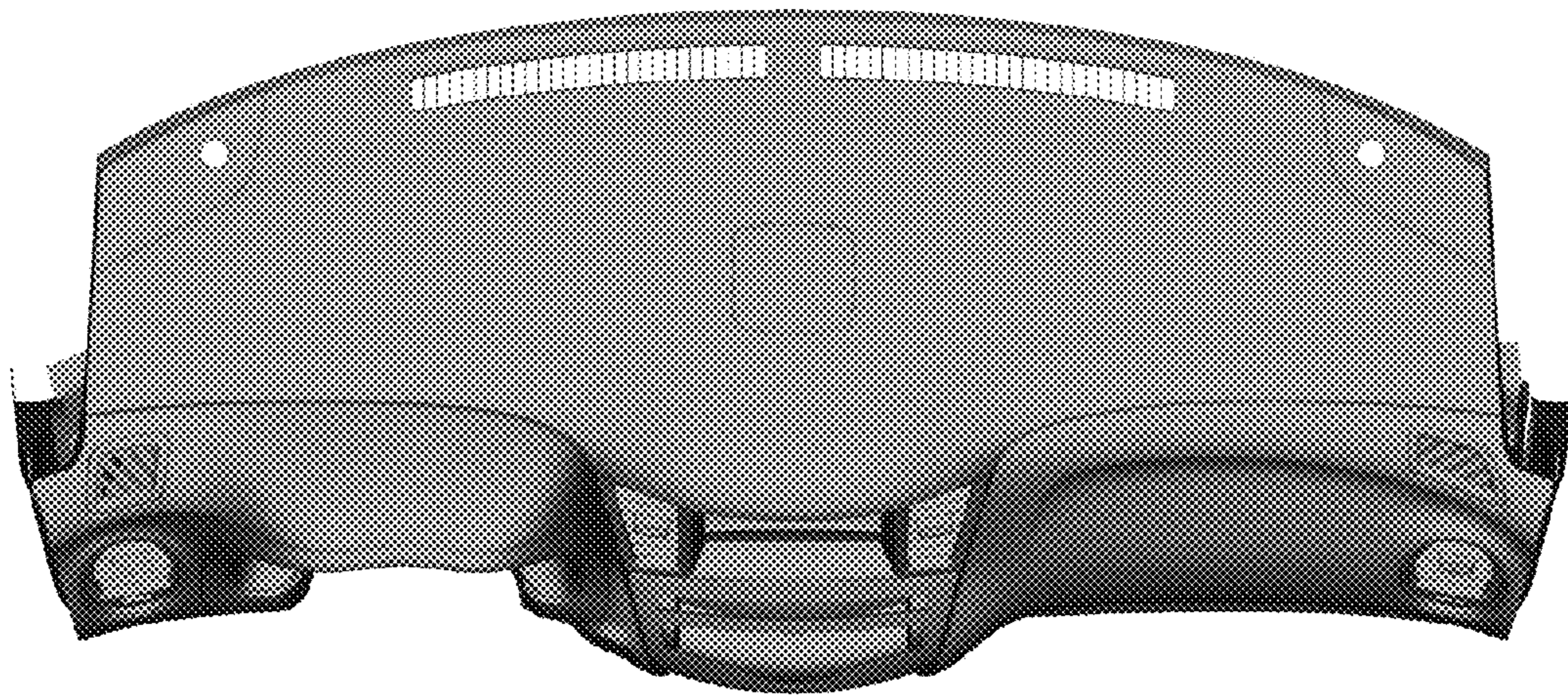


FIG. 2

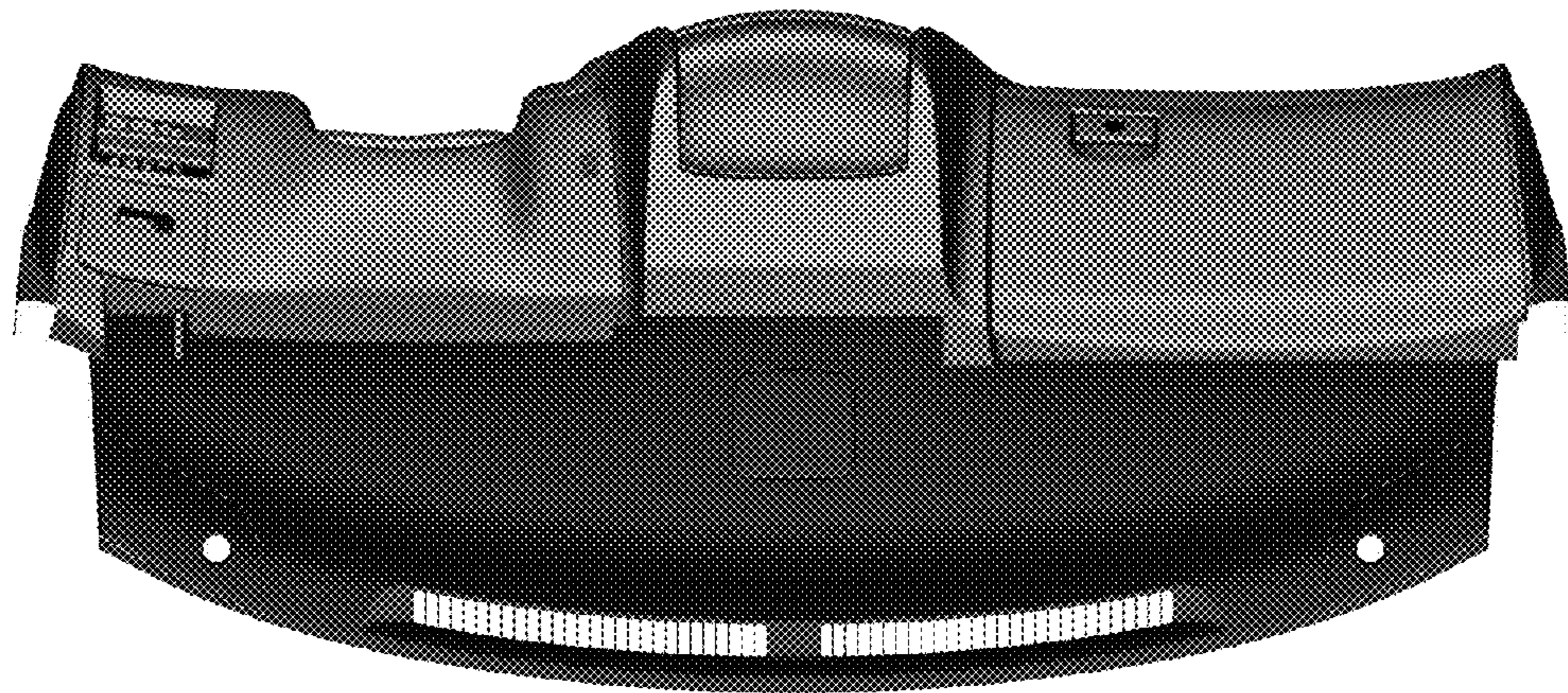


FIG. 3

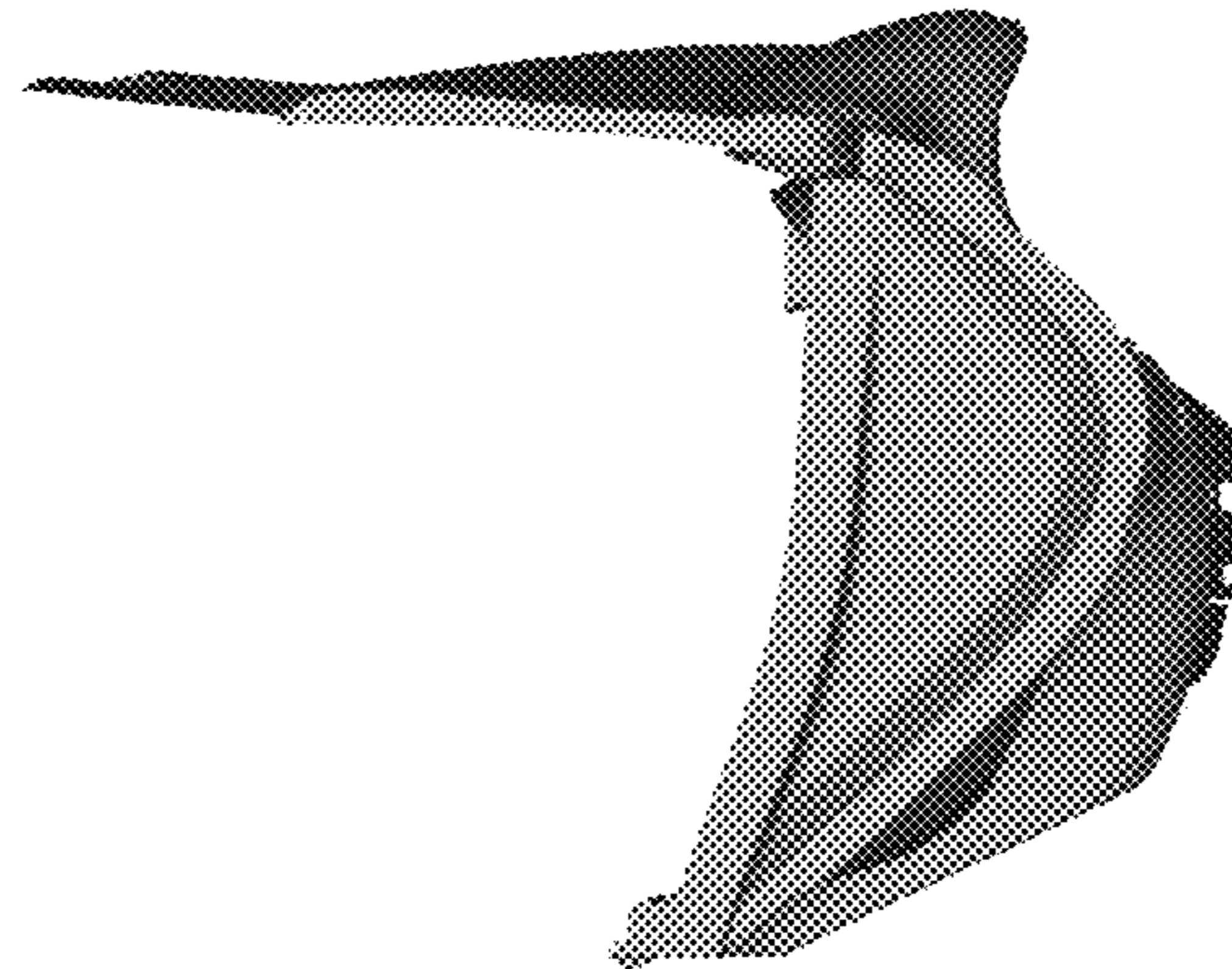


FIG. 4

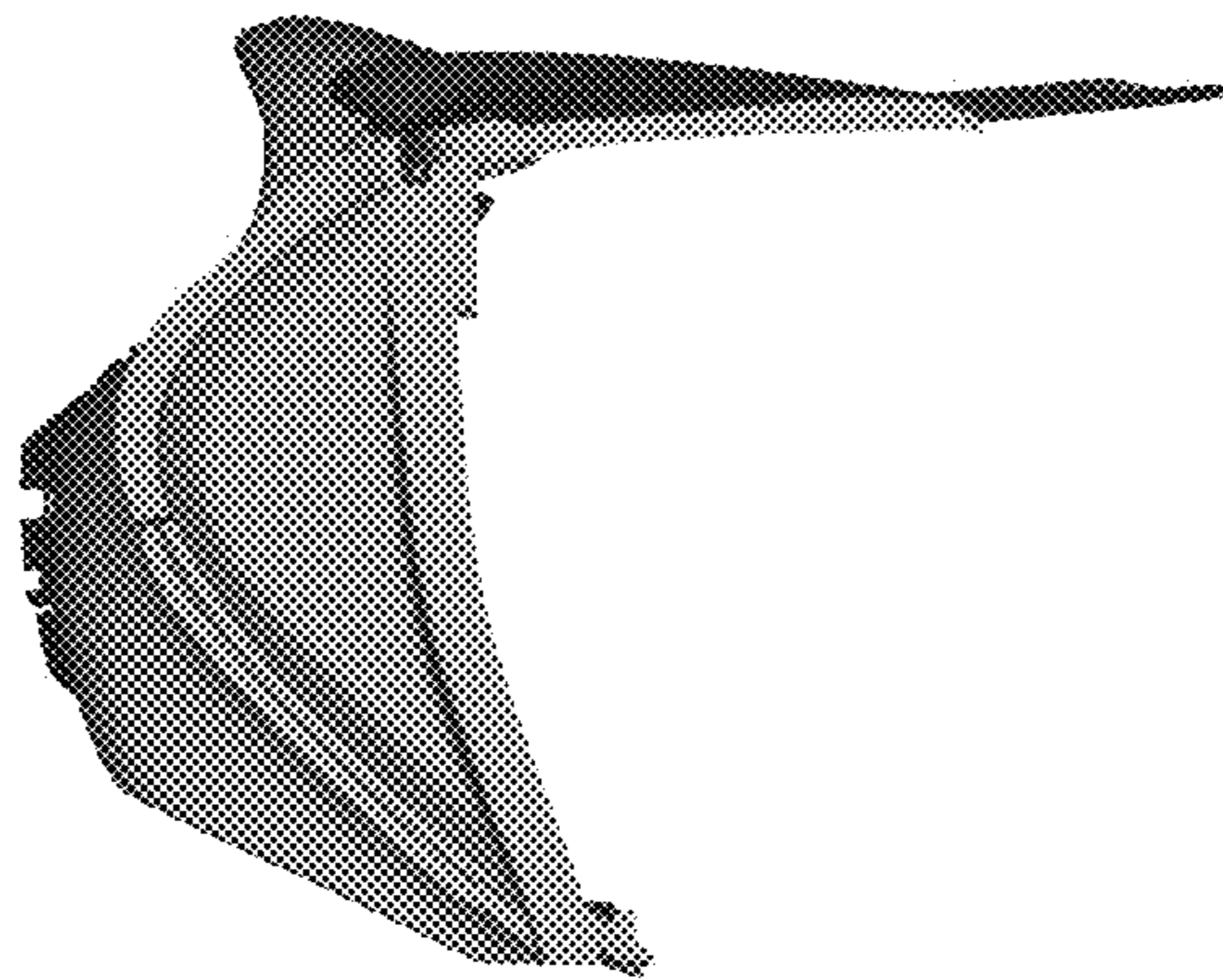


FIG. 5



FIG. 6

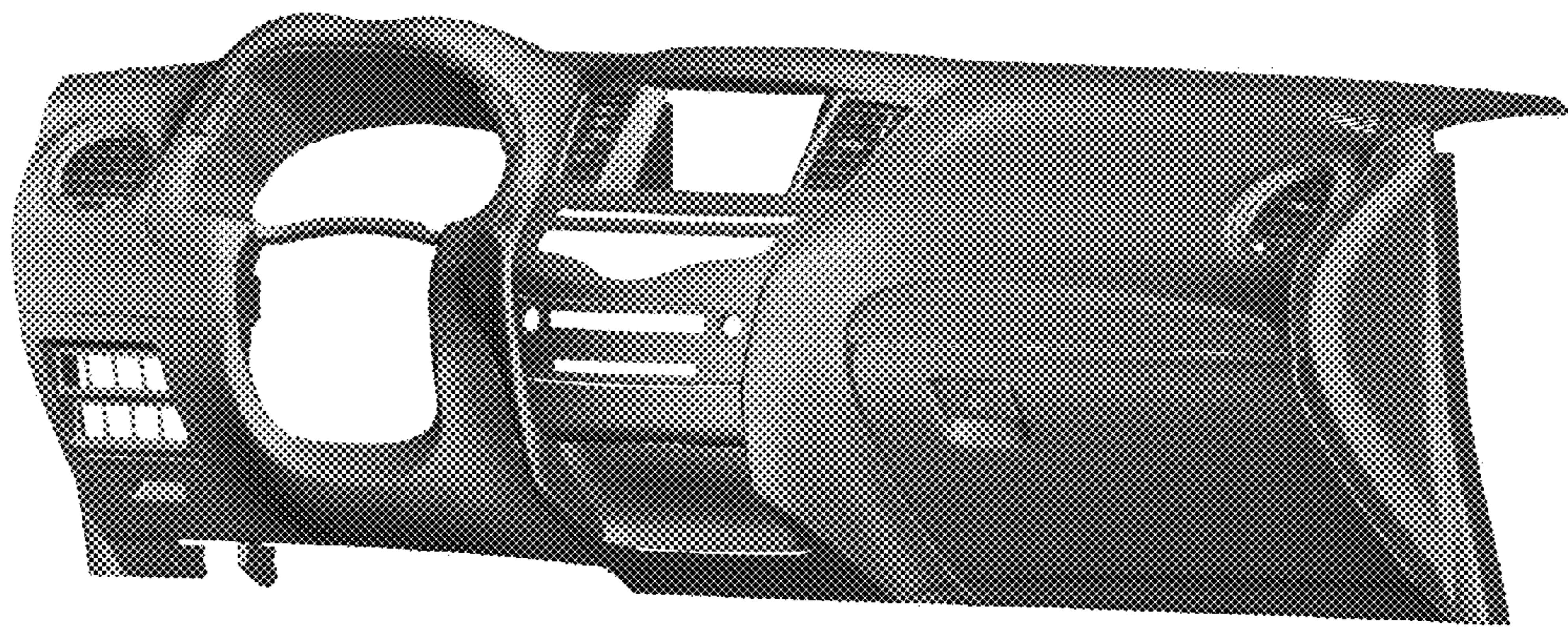


FIG. 7