



US00D695657S

(12) **United States Design Patent**
LeBlanc

(10) **Patent No.:** **US D695,657 S**

(45) **Date of Patent:** **** Dec. 17, 2013**

(54) **REAR FENDER ASSEMBLY FOR A
THREE-WHEELED VEHICLE**

(76) Inventor: **Maurice LeBlanc**, Thorn Hill, TN (US)

(**) Term: **14 Years**

(21) Appl. No.: **29/409,899**

(22) Filed: **Dec. 29, 2011**

(51) **LOC (9) Cl.** **12-16**

(52) **U.S. Cl.**
USPC **D12/184; D12/110**

(58) **Field of Classification Search**
USPC D12/3, 85, 86, 87, 107, 110, 126, 181,
D12/184, 186; 180/210, 215, 219, 223, 225,
180/229, 311, 312; 296/77.1, 187.12, 191,
296/192, 193.01, 193.05; 280/152.3,
280/847-852

See application file for complete search history.

(56) **References Cited**

U.S. PATENT DOCUMENTS

D254,366 S *	3/1980	Ekuan	D12/110
D261,876 S *	11/1981	Ishiyama	D12/110
D276,328 S *	11/1984	Ishiyama	D12/110
D289,986 S *	5/1987	Ooba et al.	D12/107
D293,900 S *	1/1988	Murakami	D12/107
D305,999 S *	2/1990	Ueda et al.	D12/107
D321,677 S *	11/1991	Saito et al.	D12/117
D443,849 S	6/2001	Chen	
D452,669 S *	1/2002	Yokomaku	D12/169
6,948,581 B2 *	9/2005	Fecteau et al.	180/210
D521,415 S	5/2006	Kojima et al.	
D539,706 S	4/2007	Huang	
D541,196 S	4/2007	Kokubu et al.	
D547,242 S	7/2007	Lambri	

D550,590 S *	9/2007	Basset et al.	D12/107
7,416,046 B2 *	8/2008	Aube et al.	180/312
D581,846 S	12/2008	Longpre et al.	
D605,564 S	12/2009	Hong	
D617,703 S *	6/2010	Ilmberger	D12/186
D627,263 S	11/2010	Guay et al.	
D627,269 S *	11/2010	Deluy et al.	D12/126
D628,129 S	11/2010	Longpre et al.	
D631,803 S	2/2011	Guay et al.	
2011/0049205 A1	3/2011	Laperle et al.	

* cited by examiner

Primary Examiner — Philip S Hyder

Assistant Examiner — Darlington Ly

(74) *Attorney, Agent, or Firm* — John L. DeAngelis; Beusse
Walter Sanks Mora & Maire, P.A.

(57) **CLAIM**

The ornamental design for a rear fender assembly for a three-wheeled vehicle, as shown and described.

DESCRIPTION

FIG. 1 is an isometric view of a rear fender assembly for a three-wheeled vehicle of the present invention.

FIG. 2 is a front view of the rear fender assembly for a three-wheeled vehicle.

FIG. 3 is a rear view of the rear fender assembly for a three-wheeled vehicle.

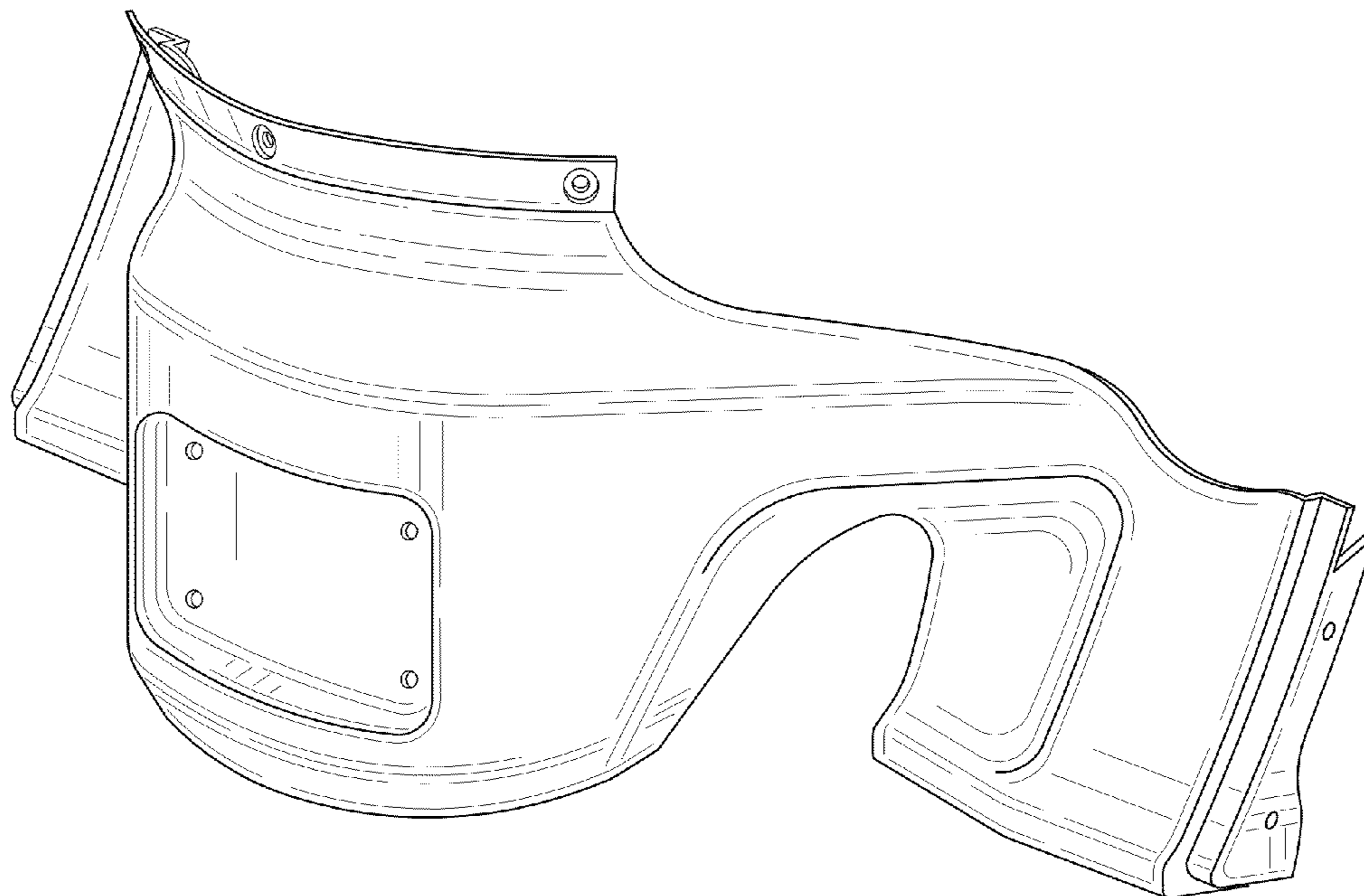
FIG. 4 is a right side view of the rear fender assembly for a three-wheeled vehicle.

FIG. 5 is a left side view of the rear fender assembly for a three-wheeled vehicle.

FIG. 6 is a top view of the rear fender assembly for a three-wheeled vehicle; and,

FIG. 7 is a bottom view of the rear fender assembly for a three-wheeled vehicle.

1 Claim, 3 Drawing Sheets



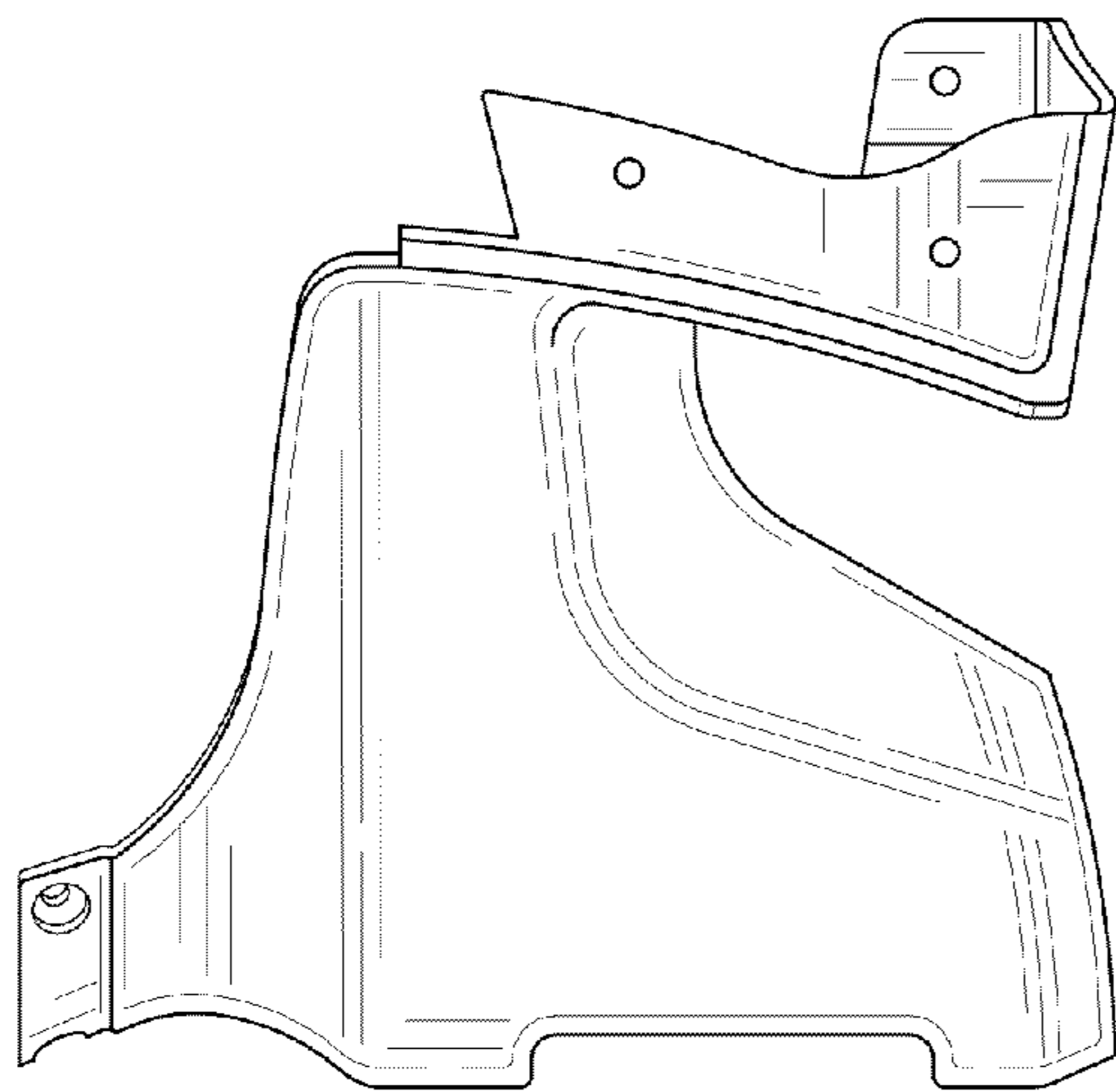


FIG. 4

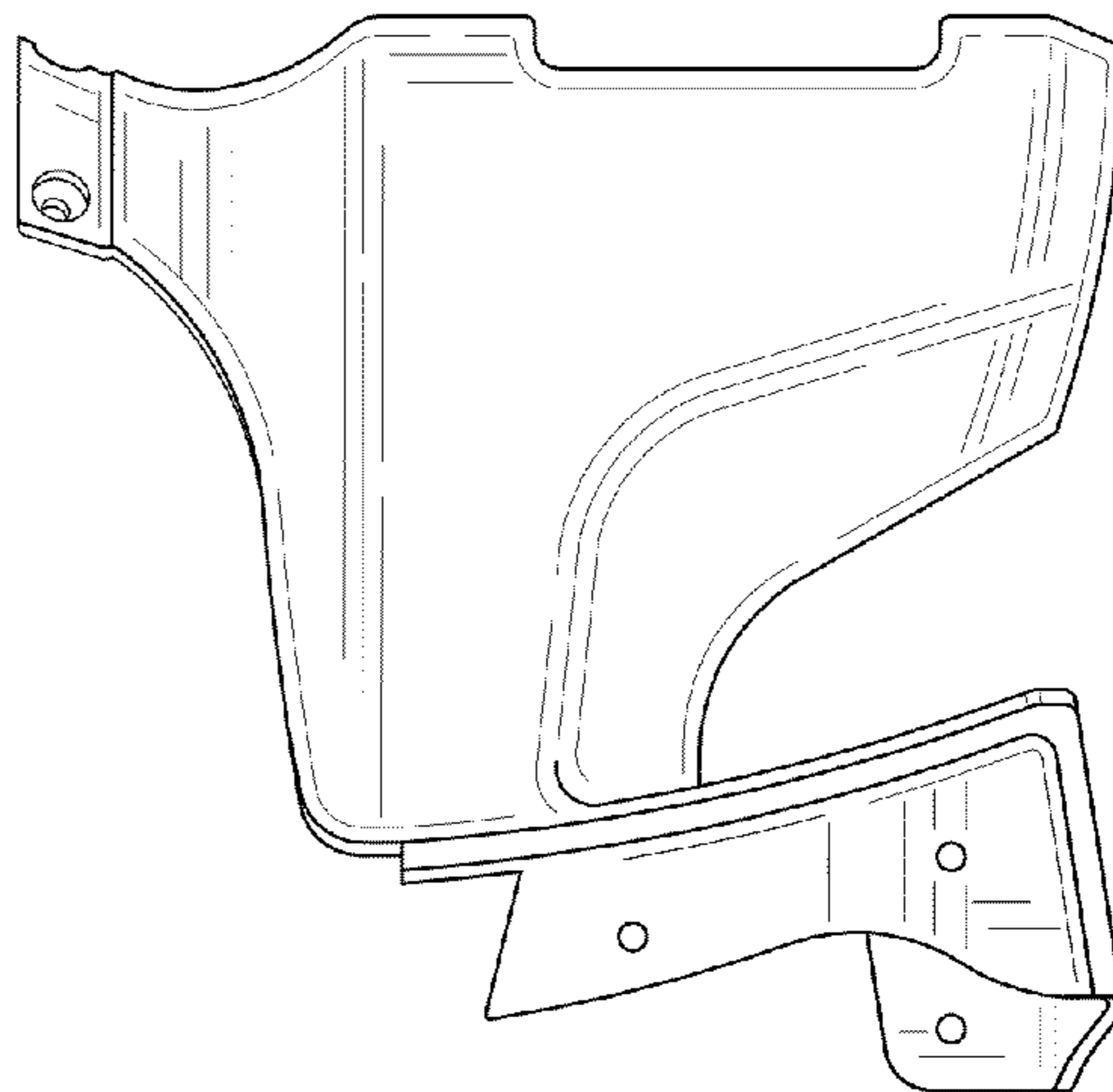


FIG. 5

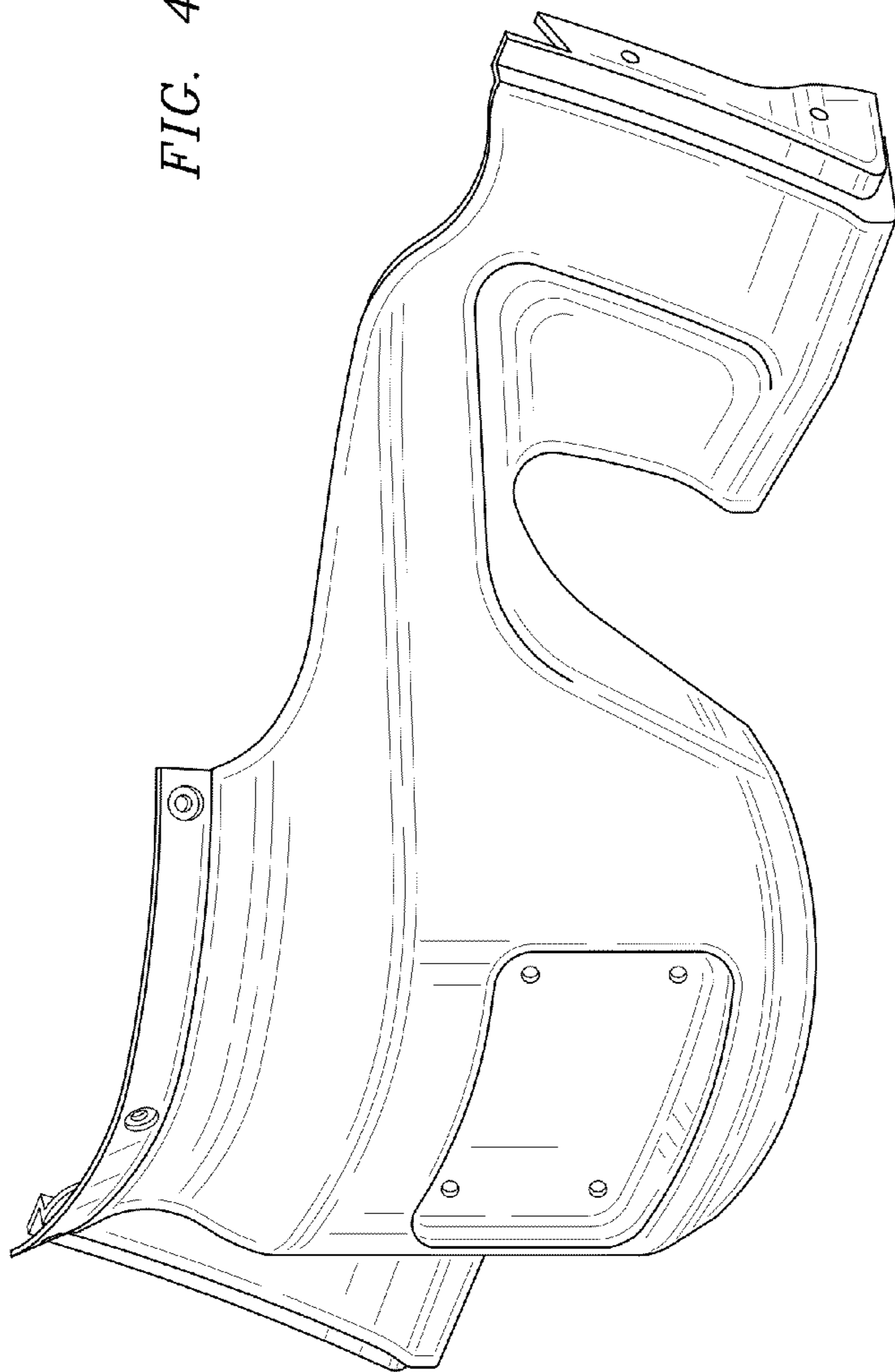


FIG. 1

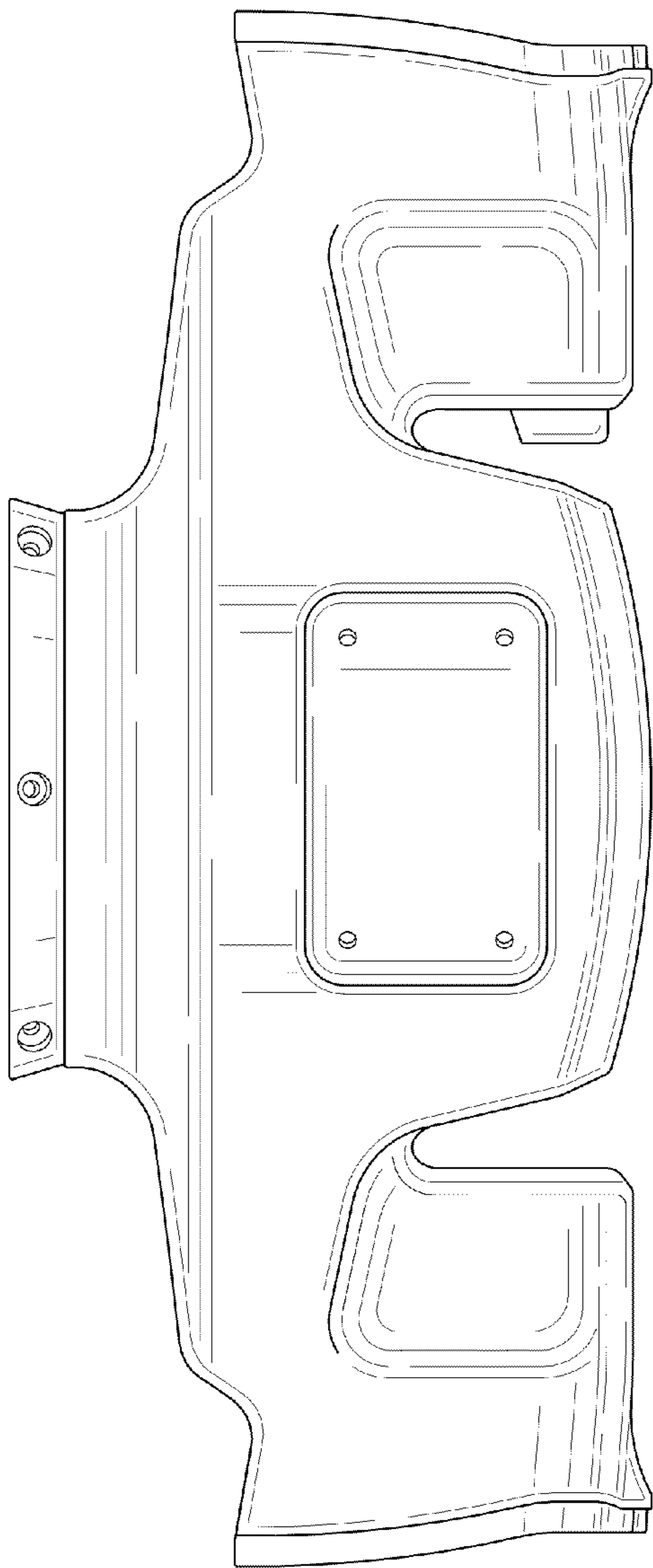


FIG. 2

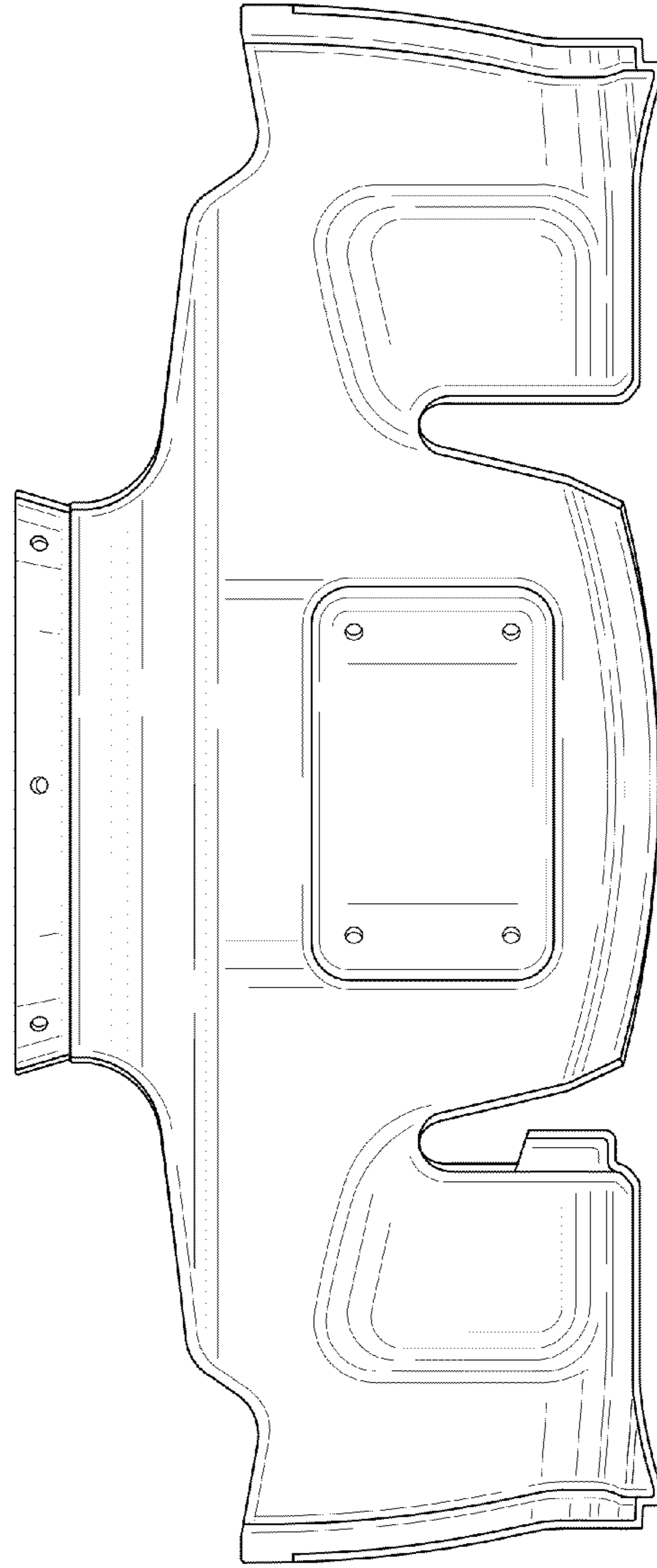


FIG. 3

