



US00D695649S

(12) **United States Design Patent**  
**Eliasson**

(10) **Patent No.:** **US D695,649 S**

(45) **Date of Patent:** **\*\* Dec. 17, 2013**

(54) **FOLDABLE BICYCLE**

(75) Inventor: **Jonas Eliasson**, Rødovre (DK)

(73) Assignee: **Me-Mover Aps**, Rødovre (DK)

(\*\*) Term: **14 Years**

(21) Appl. No.: **29/419,833**

(22) Filed: **May 2, 2012**

(30) **Foreign Application Priority Data**

Nov. 2, 2011 (EM) ..... 001941121-0001  
Nov. 2, 2011 (EM) ..... 001941121-0002

(51) **LOC (9) Cl.** ..... **12-11**

(52) **U.S. Cl.**  
USPC ..... **D12/111**

(58) **Field of Classification Search**  
USPC ..... D12/111, 107; D21/663-665, 668, 670,  
D21/671, 423; 482/51-53, 57; 280/221,  
280/224, 225, 242.1, 244, 246, 247,  
280/251-253, 256, 257, 259-261, 270, 293,  
280/298, 304, 255, 258, 278, 281.1,  
280/288.1-288.3

See application file for complete search history.

(56) **References Cited**

**U.S. PATENT DOCUMENTS**

5,368,321 A \* 11/1994 Berman et al. .... 280/221  
6,439,590 B1 \* 8/2002 Liang ..... 280/221  
6,648,355 B2 \* 11/2003 Ridenhour ..... 280/255  
6,764,088 B2 \* 7/2004 Hung ..... 280/221  
D526,250 S \* 8/2006 Trumble et al. .... D12/111  
7,111,860 B1 \* 9/2006 Grimaldos ..... 280/253

D568,417 S \* 5/2008 Meguerditchian ..... D21/423  
7,717,446 B2 \* 5/2010 Pate et al. .... 280/221  
7,784,808 B2 \* 8/2010 Fan ..... 280/221  
D638,485 S \* 5/2011 Scolari et al. .... D21/423  
D638,500 S \* 5/2011 Scolari et al. .... D21/423  
D645,792 S \* 9/2011 Bai ..... D12/111

\* cited by examiner

*Primary Examiner* — Susan M Lee

*Assistant Examiner* — Linda Brooks

(74) *Attorney, Agent, or Firm* — Buchanan Ingersoll & Rooney PC

(57) **CLAIM**

The ornamental design for a foldable bicycle, as shown and described.

**DESCRIPTION**

FIG. 1 is a front perspective view of a foldable bicycle showing my new design in a first configuration.

FIG. 2 is a front elevational view thereof.

FIG. 3 is a rear elevational view thereof.

FIG. 4 is a further front perspective view thereof.

FIG. 5 is a top plan view thereof.

FIG. 6 is a left side elevational view thereof, the other side being a mirror image thereof.

FIG. 7 is a front perspective view of the foldable bicycle showing my new design in a second configuration.

FIG. 8 is a rear elevational view thereof.

FIG. 9 is a top plan view thereof; and,

FIG. 10 is a right side elevational view thereof, the other side being a mirror image thereof.

The broken line showing of portions of the foldable bicycle is for environmental illustration only and forms no part of the claimed design.

**1 Claim, 10 Drawing Sheets**

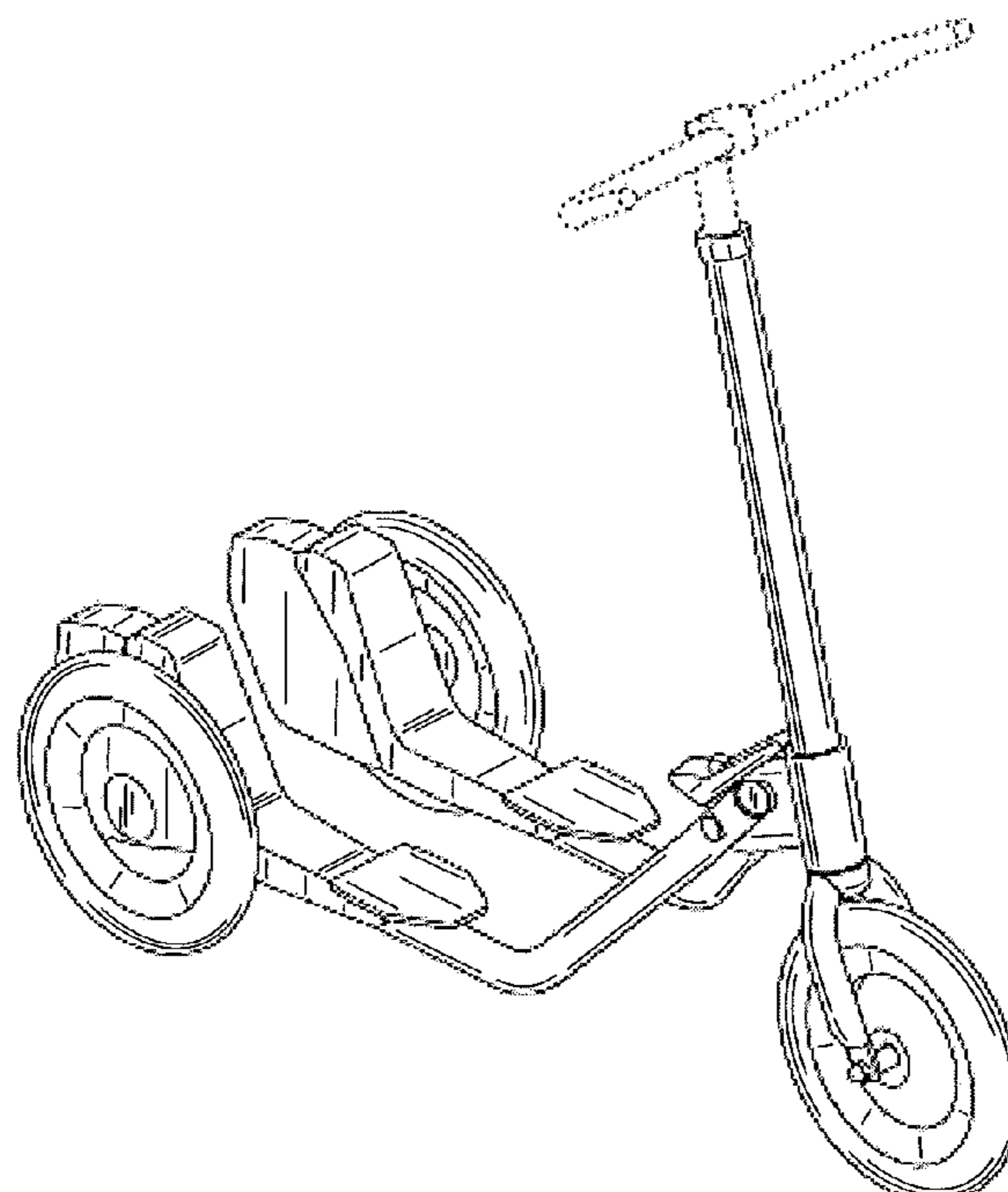
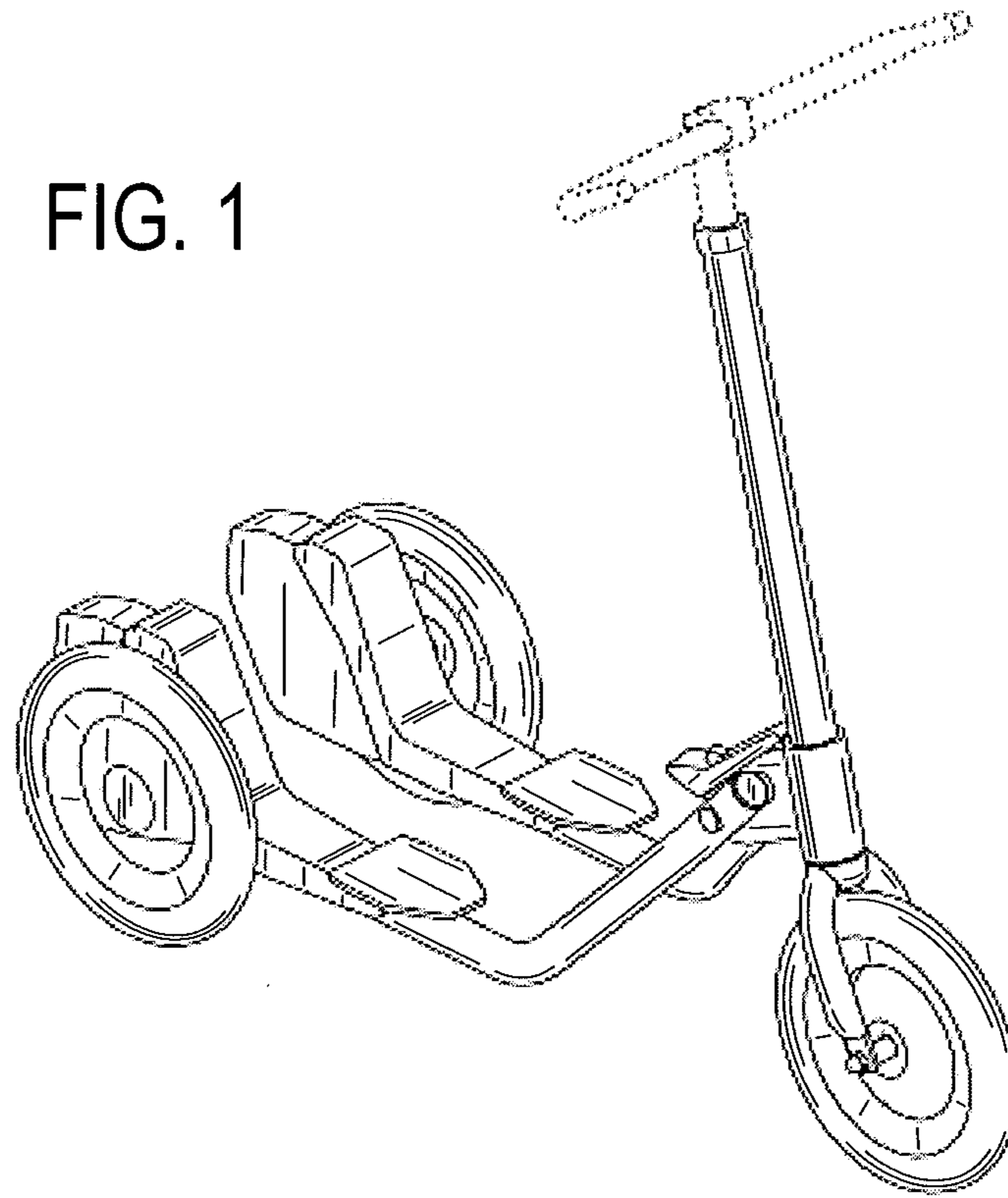


FIG. 1



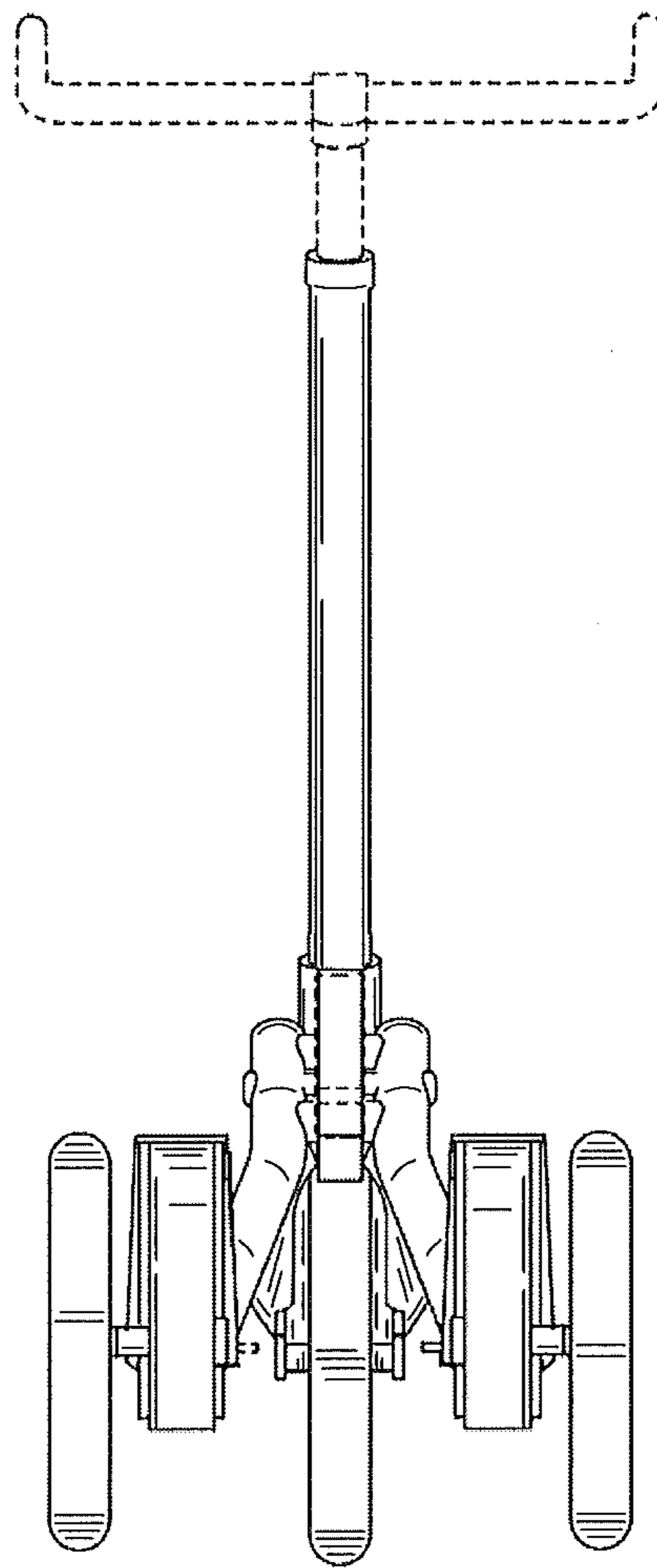


FIG. 2

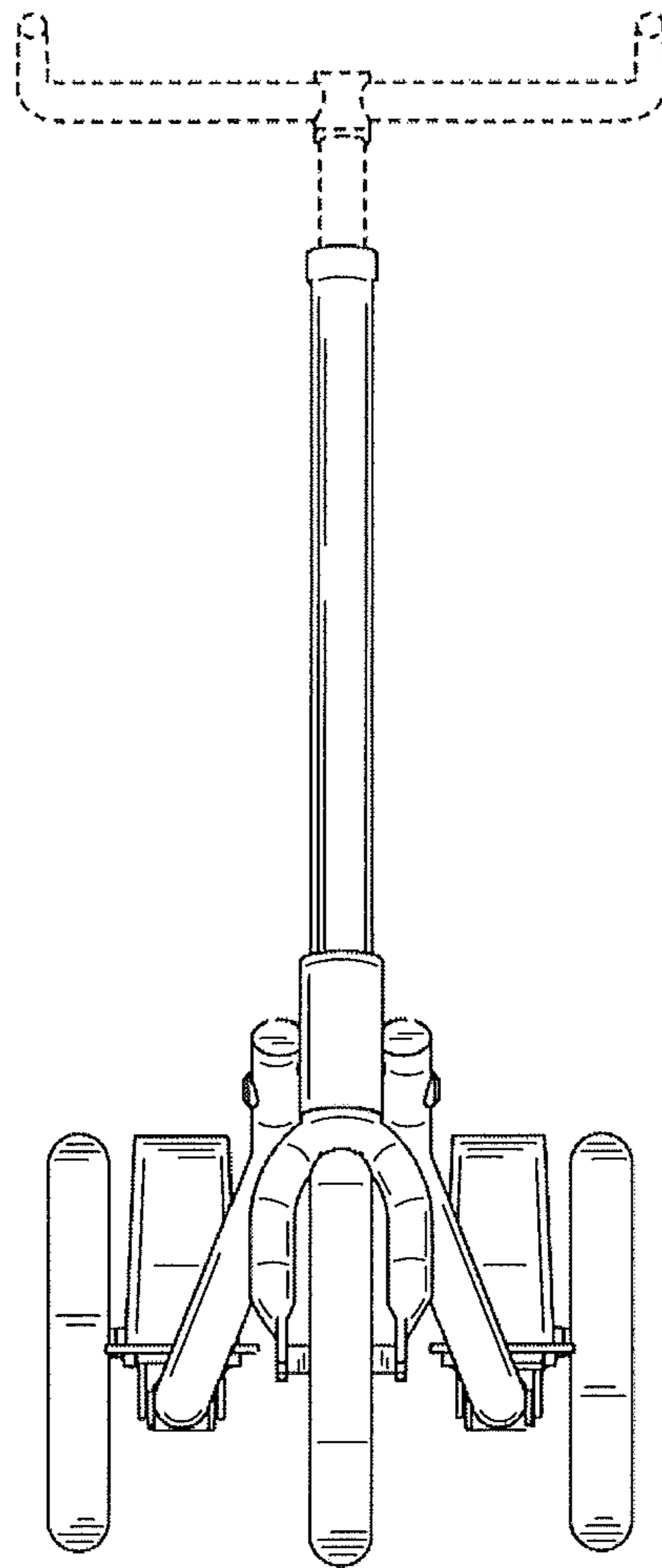


FIG. 3

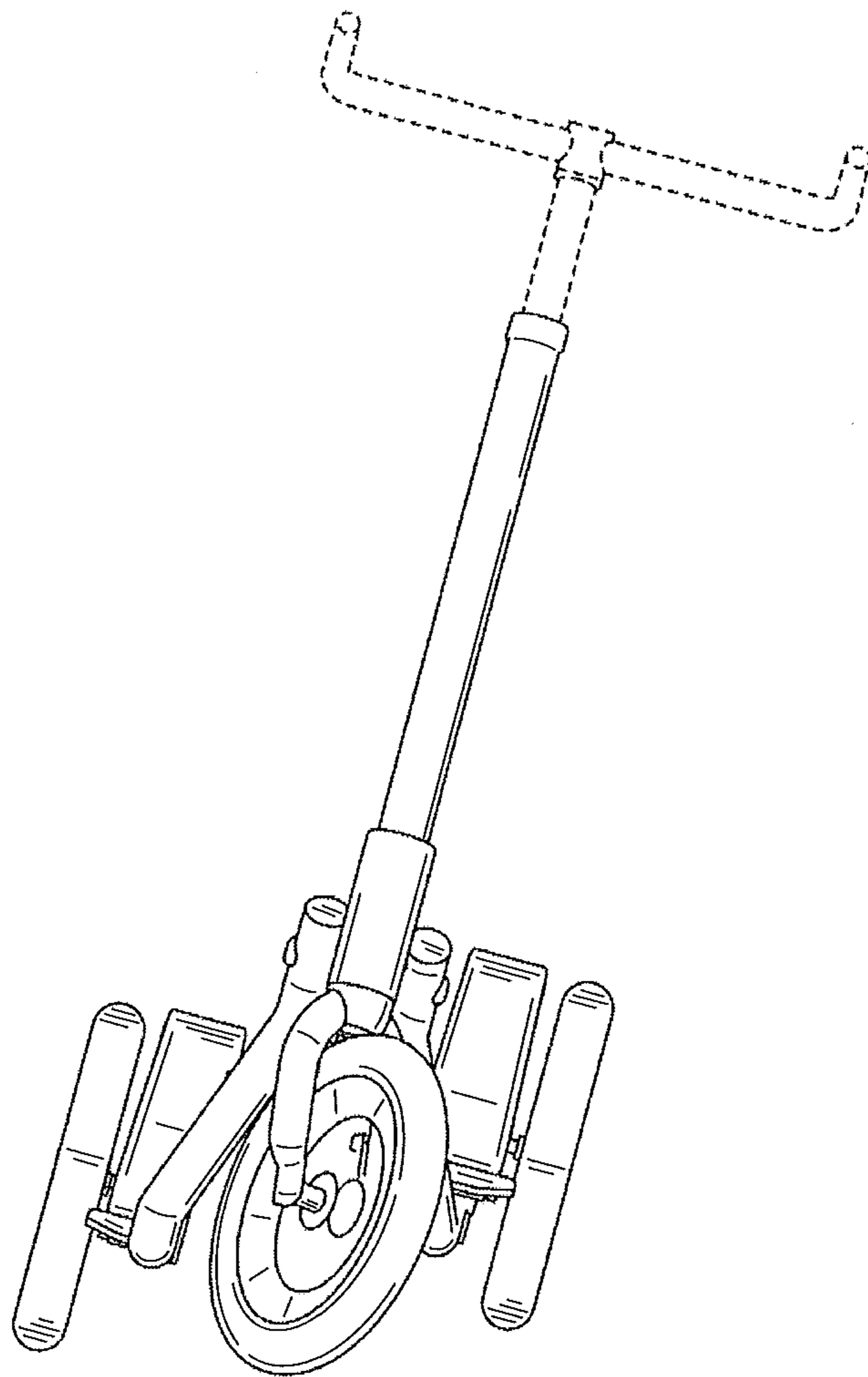


FIG. 4

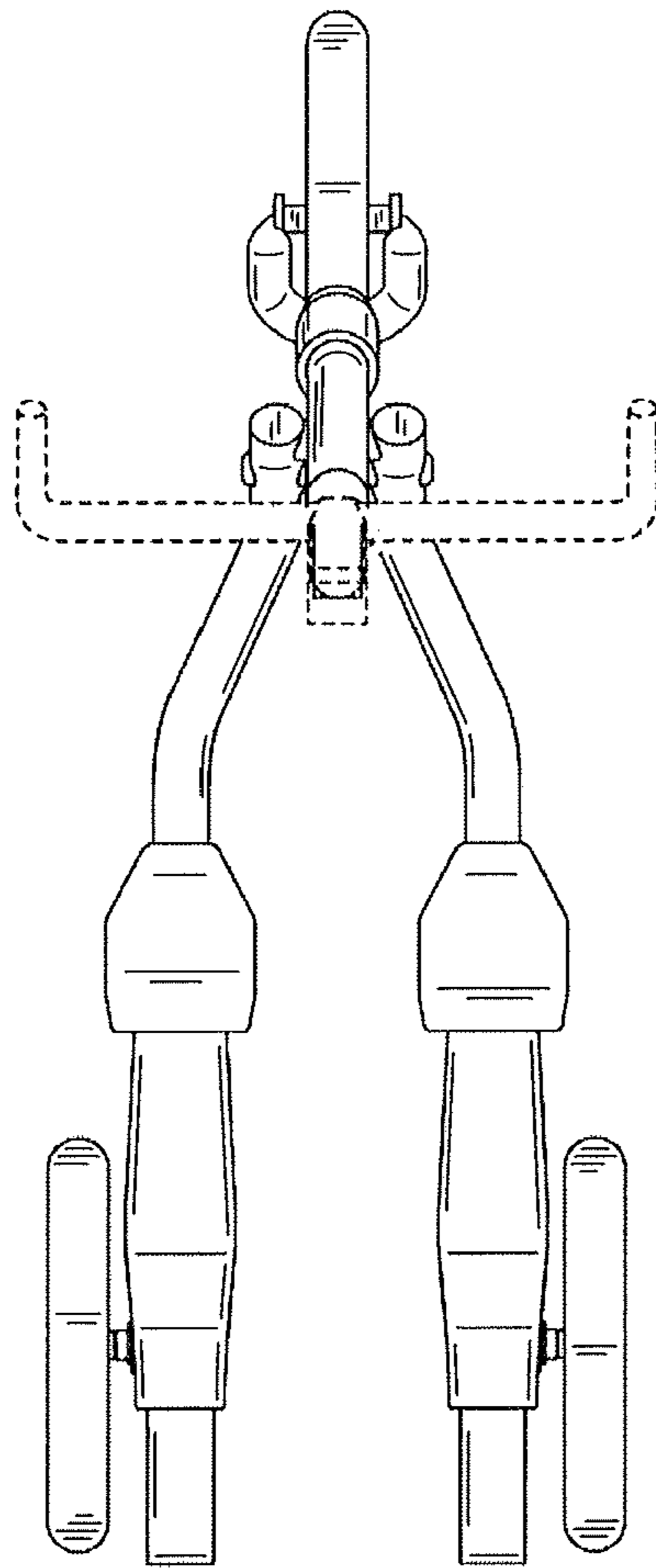


FIG. 5

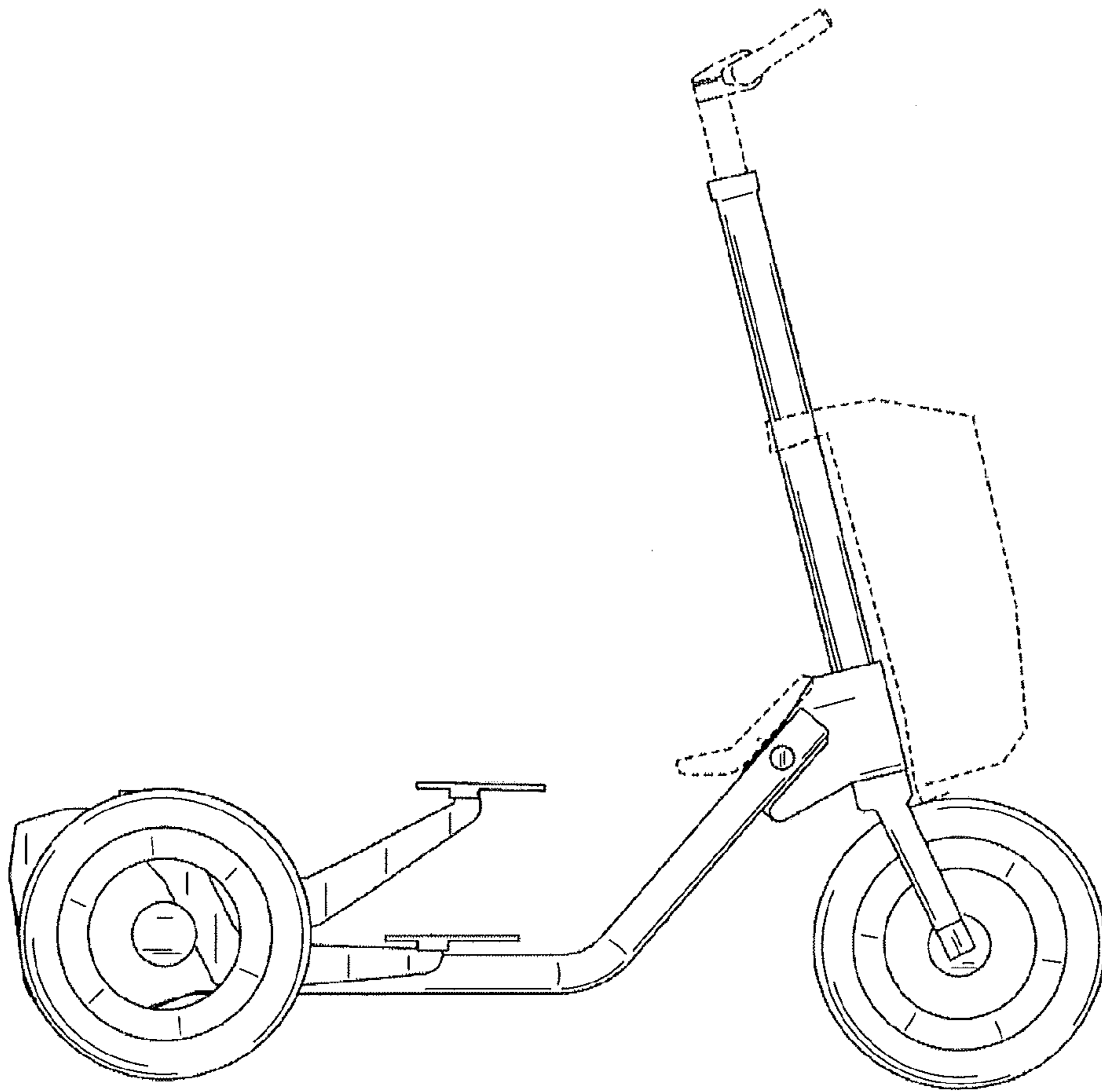


FIG. 6

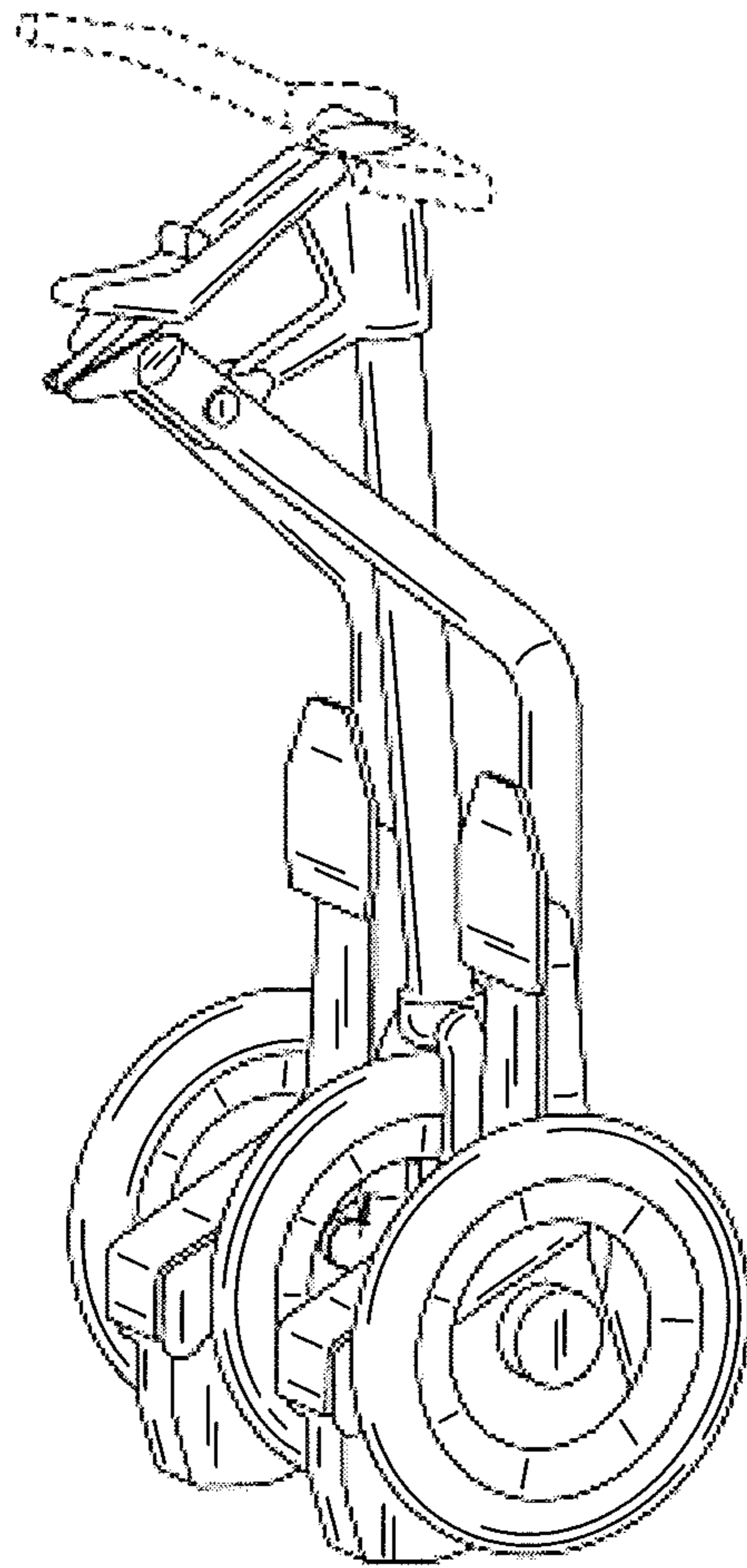


FIG. 7



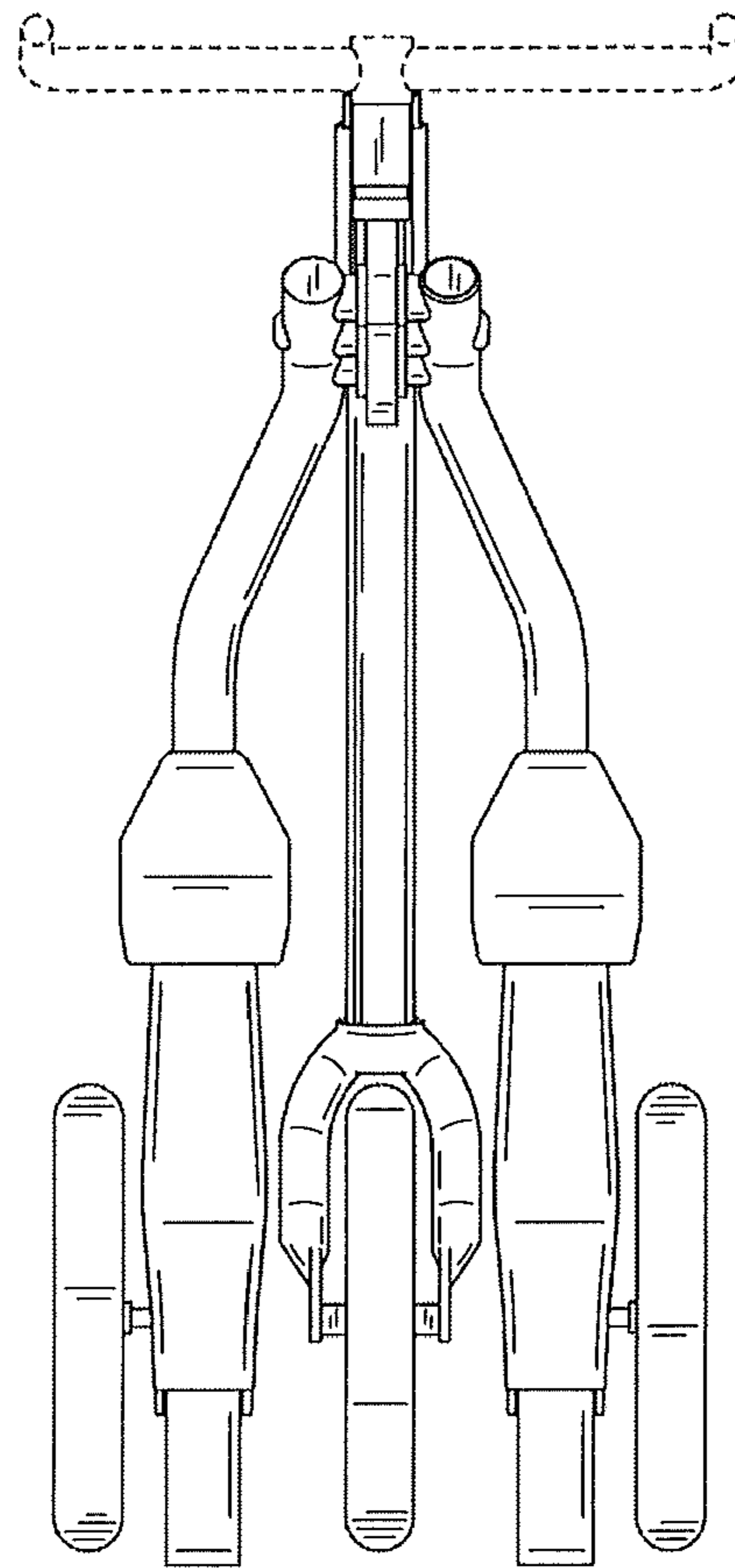


FIG. 8

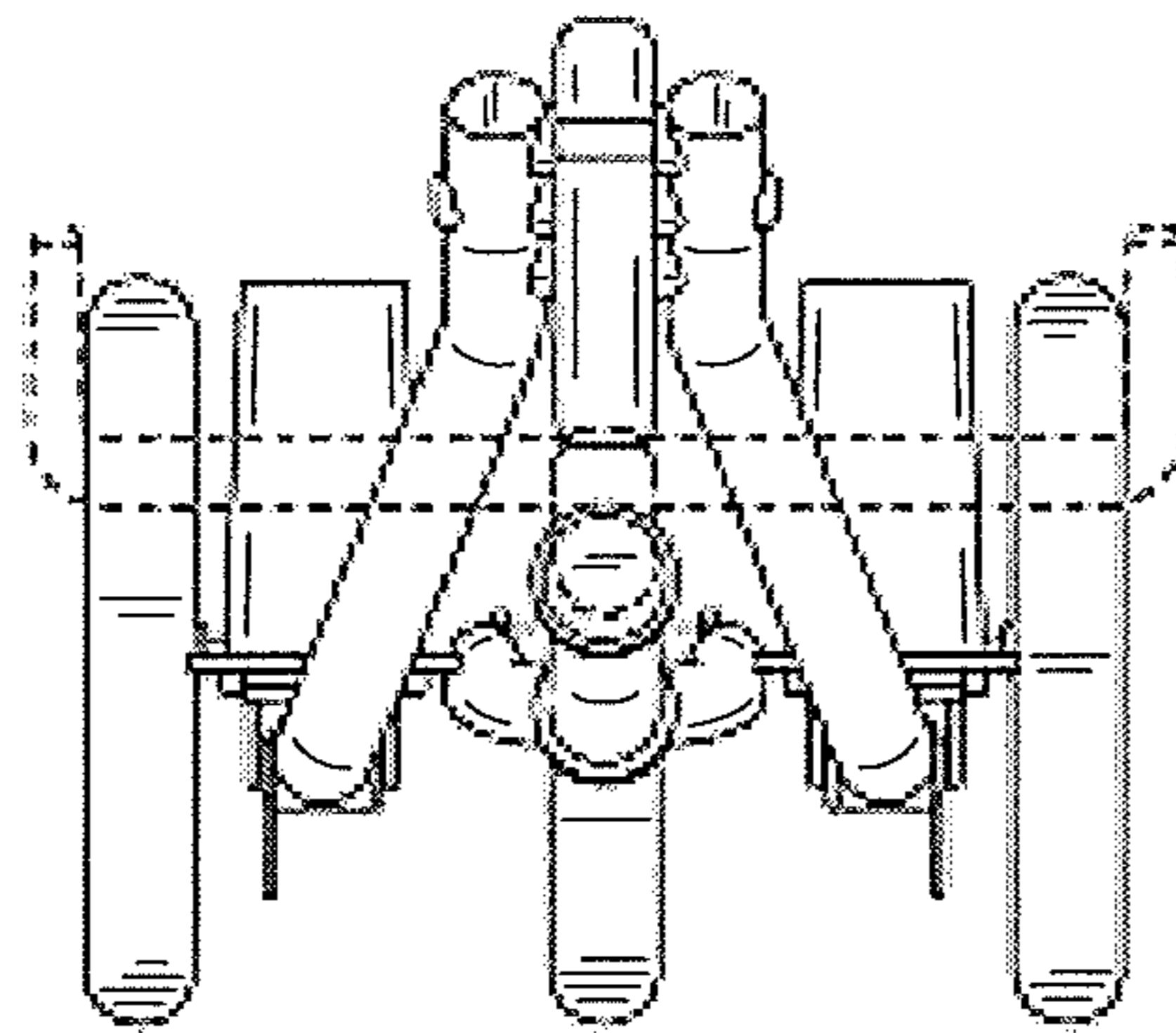


FIG. 9

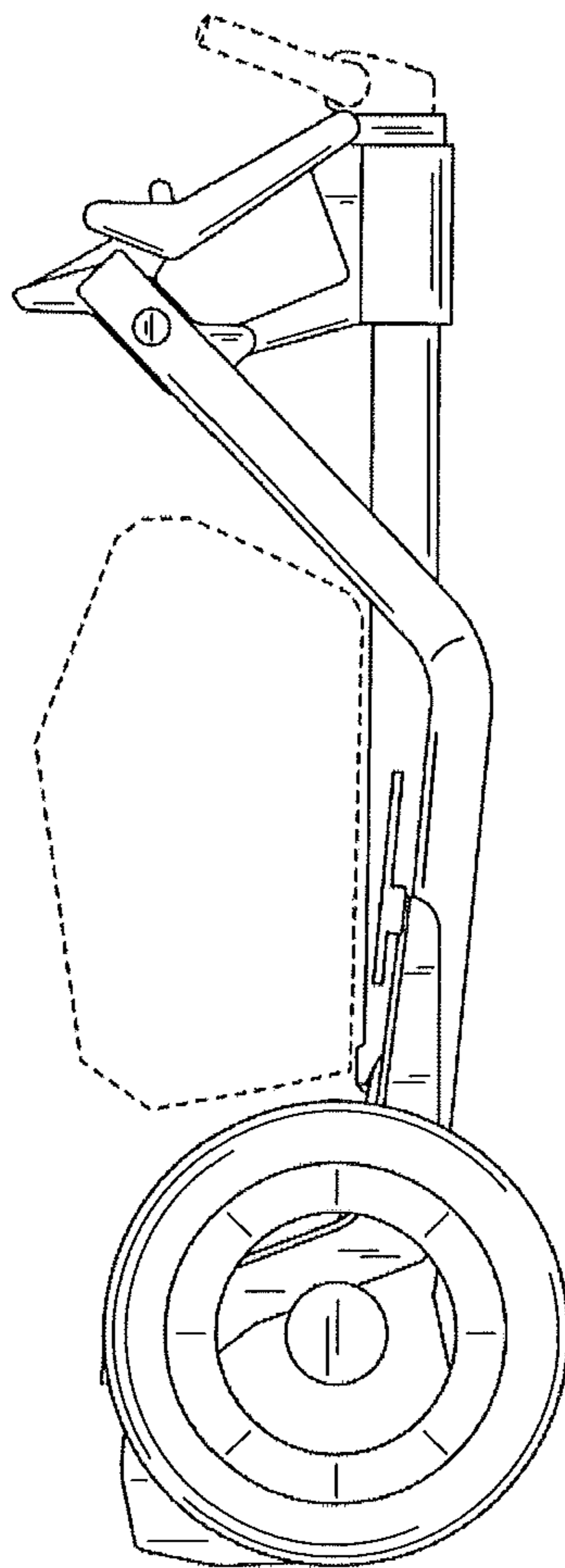


FIG. 10