

US00D695648S

(12) **United States Design Patent**
Yamazaki et al.

(10) **Patent No.:** **US D695,648 S**

(45) **Date of Patent:** **** Dec. 17, 2013**

(54) **MOTORCYCLE OR MOTORCYCLE
REPLICA**

(71) Applicant: **Honda Motor Co., Ltd.**, Tokyo (JP)

(72) Inventors: **Takayuki Yamazaki**, Wako (JP);
Siwathat Mongkolsupya, Bangkok
(TH); **Takashi Watanabe**, Wako (JP)

(73) Assignee: **Honda Motor Co., Ltd.**, Tokyo (JP)

(**) Term: **14 Years**

(21) Appl. No.: **29/441,768**

(22) Filed: **Jan. 9, 2013**

(30) **Foreign Application Priority Data**

Jul. 10, 2012 (JP) 2012-016348

(51) **LOC (9) Cl.** **12-11**

(52) **U.S. Cl.**
USPC **D12/110**

(58) **Field of Classification Search**
USPC D12/110; 180/219, 220, 225, 229
See application file for complete search history.

(56) **References Cited**

U.S. PATENT DOCUMENTS

D516,468 S * 3/2006 Kuboshima et al. D12/110
D649,914 S * 12/2011 Marasco et al. D12/110
D652,769 S * 1/2012 Kudo et al. D12/110
D677,601 S * 3/2013 Yanagita et al. D12/110

* cited by examiner

Primary Examiner — Susan M Lee

Assistant Examiner — Linda Brooks

(74) *Attorney, Agent, or Firm* — Birch, Stewart, Kolasch &
Birch, LLP

(57) **CLAIM**

The ornamental design for a motorcycle or motorcycle replica, as shown and described.

DESCRIPTION

FIG. 1 is a front perspective view of a motorcycle or motorcycle replica showing our new design;
FIG. 2 is a rear perspective view thereof;
FIG. 3 is a front elevation view thereof;
FIG. 4 is a rear elevation view thereof;
FIG. 5 is a top plan view thereof;
FIG. 6 is a right side elevation view thereof; and,
FIG. 7 is a left side elevation view thereof.
The broken lines illustrate environmental structure only and form no part of the claimed design.

1 Claim, 6 Drawing Sheets

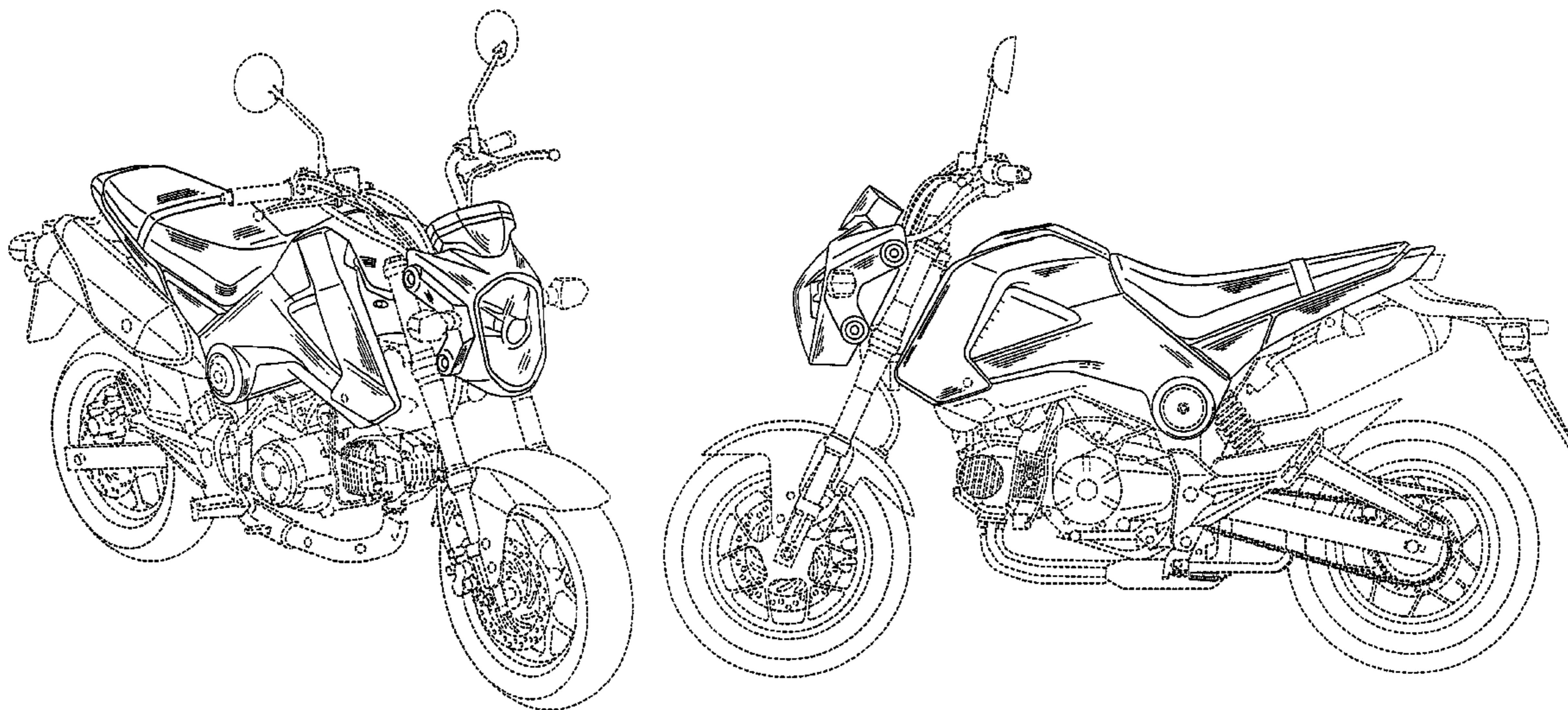


FIG. 1

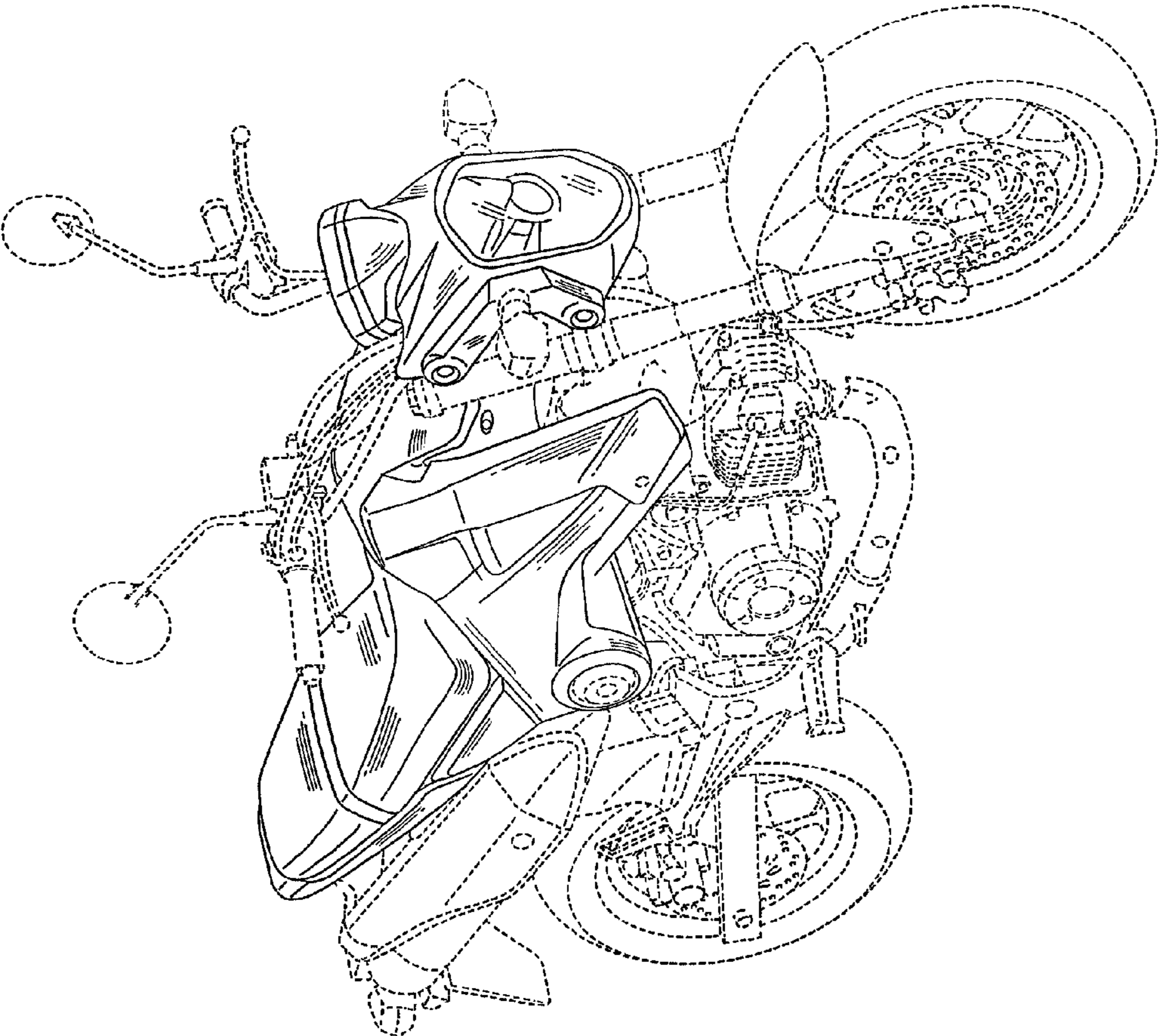


FIG. 2

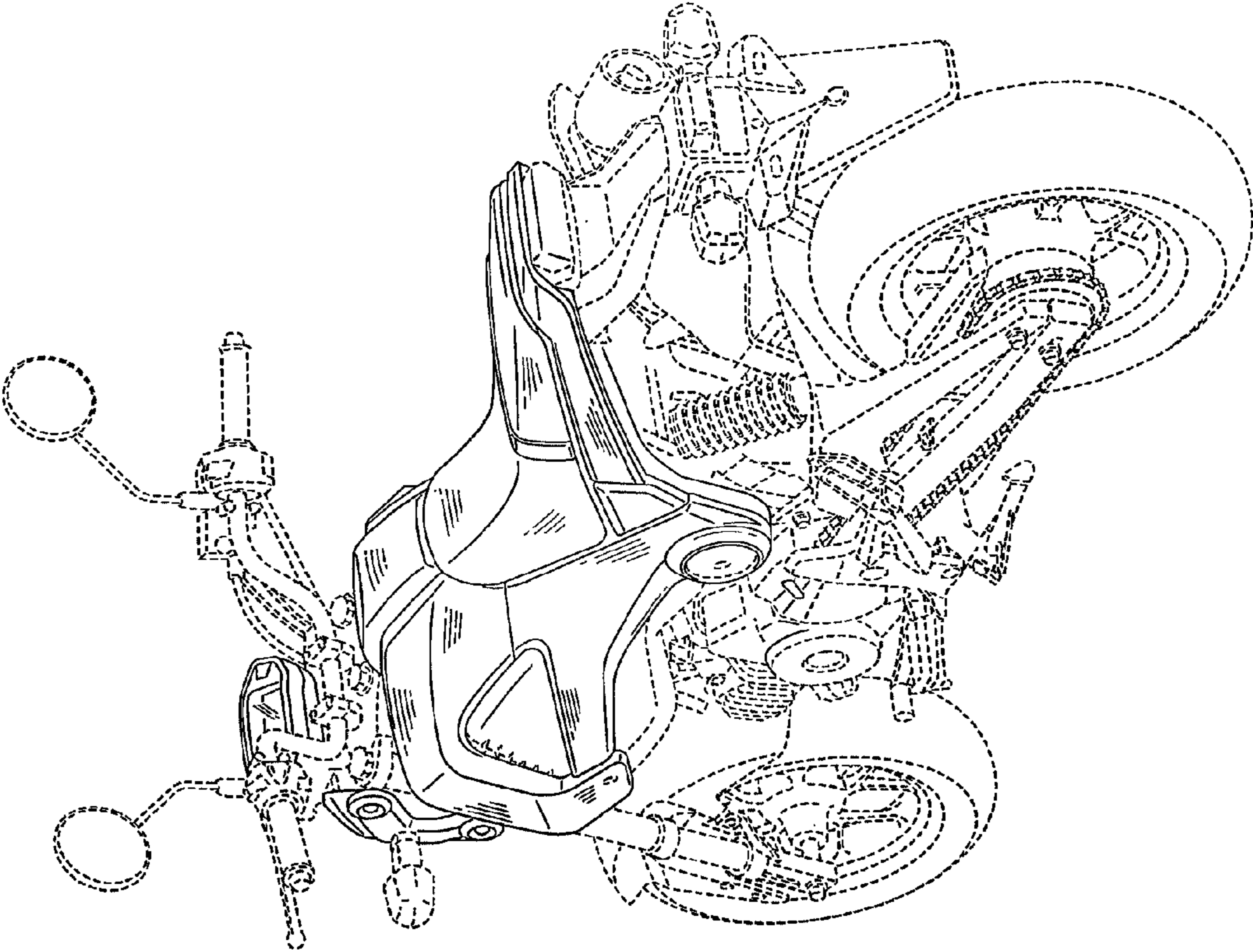


FIG. 4

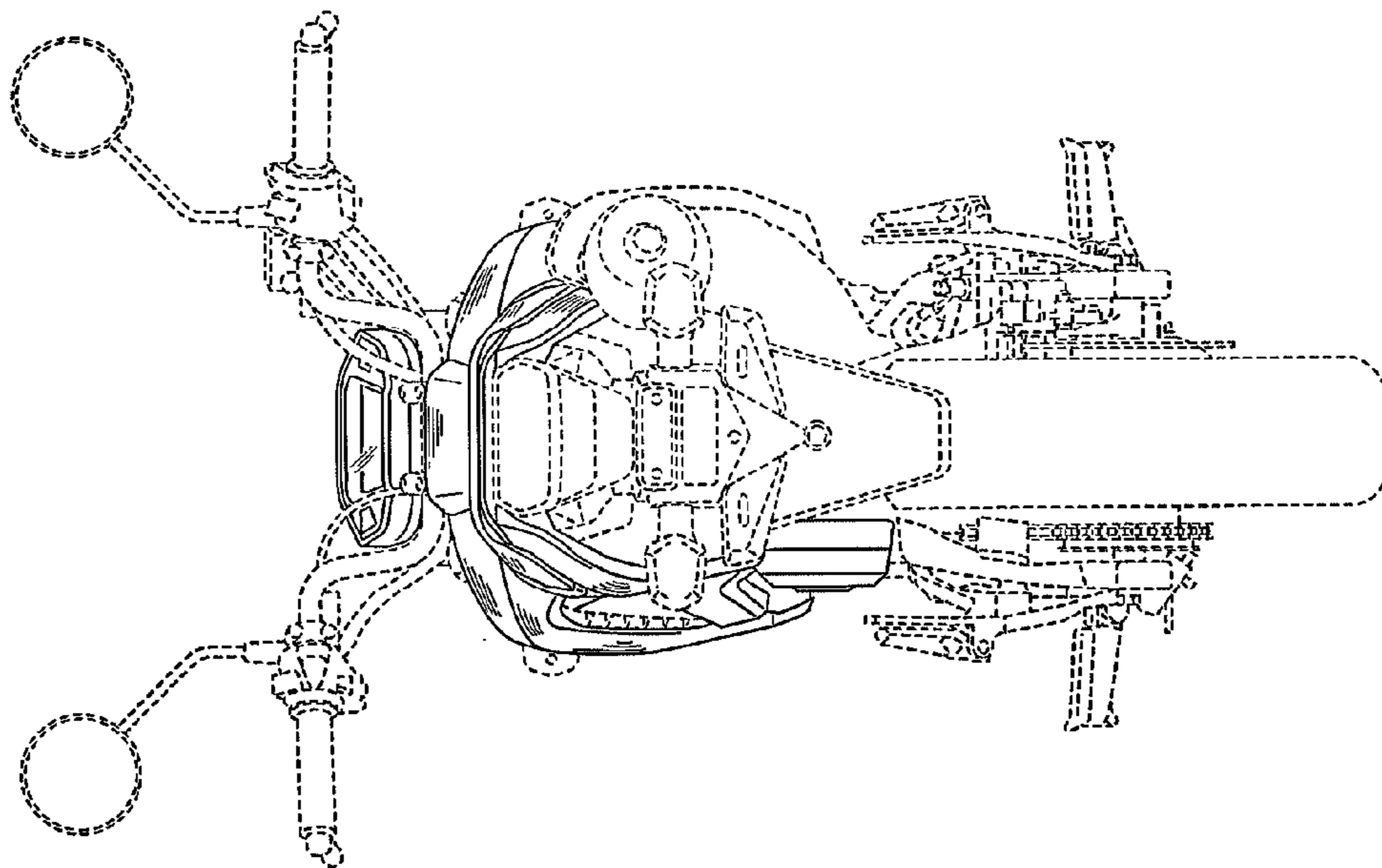


FIG. 3

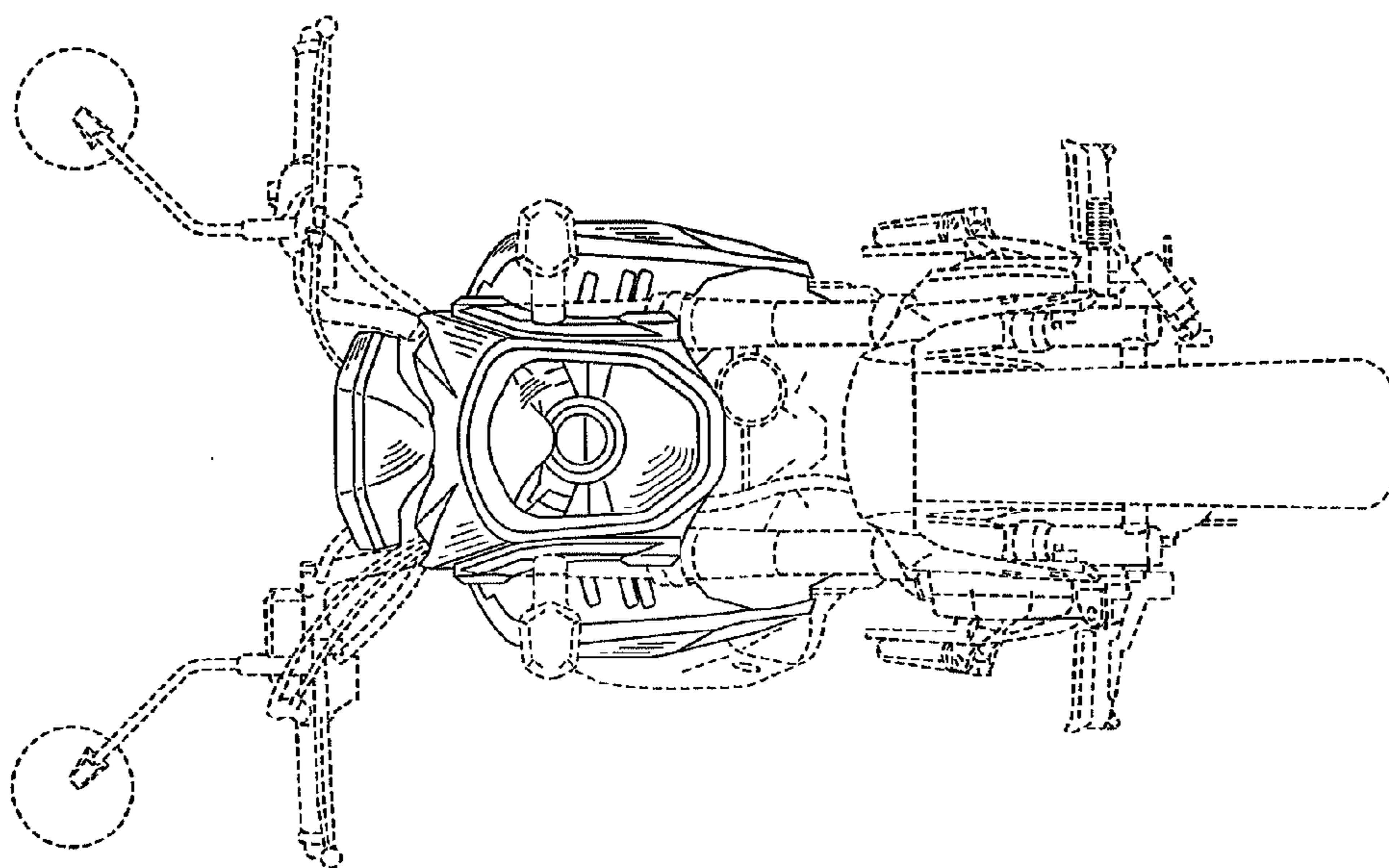


FIG. 5

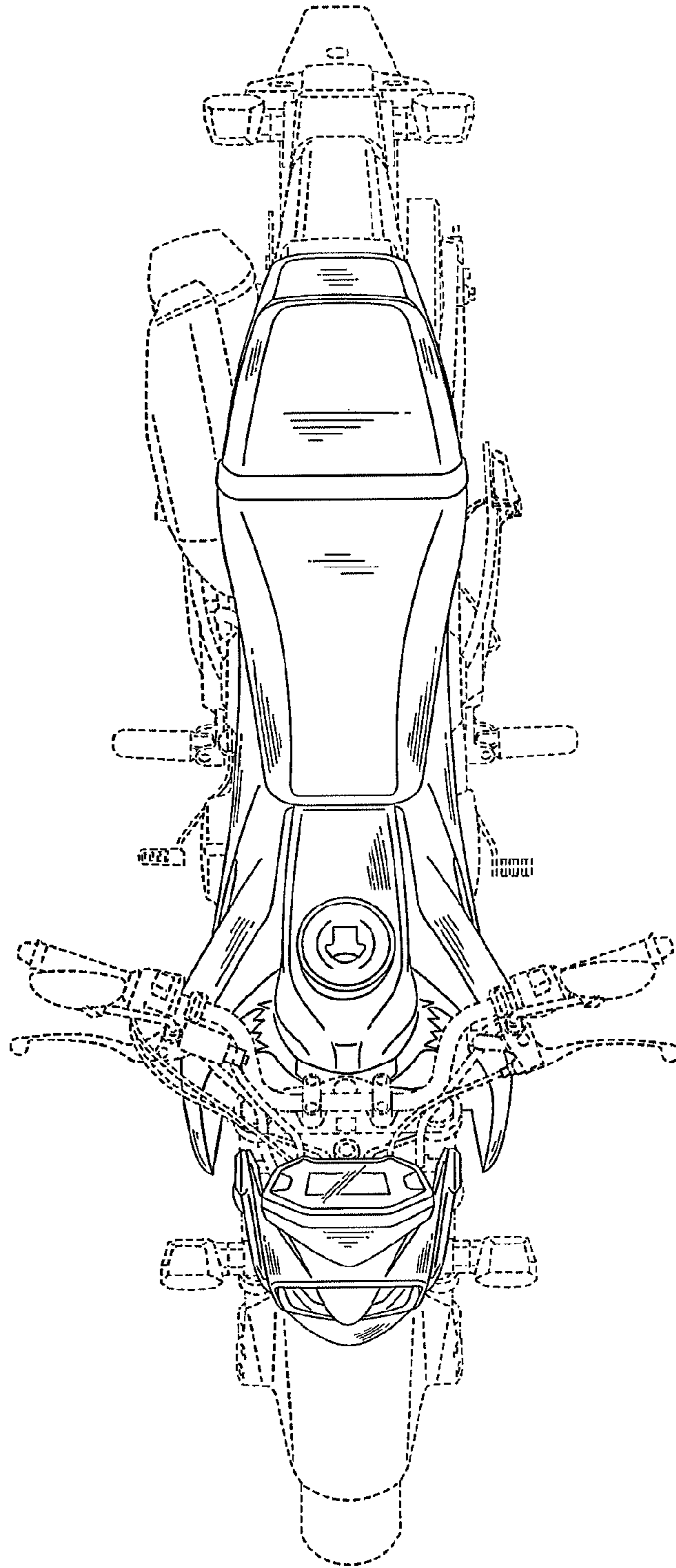


FIG. 6

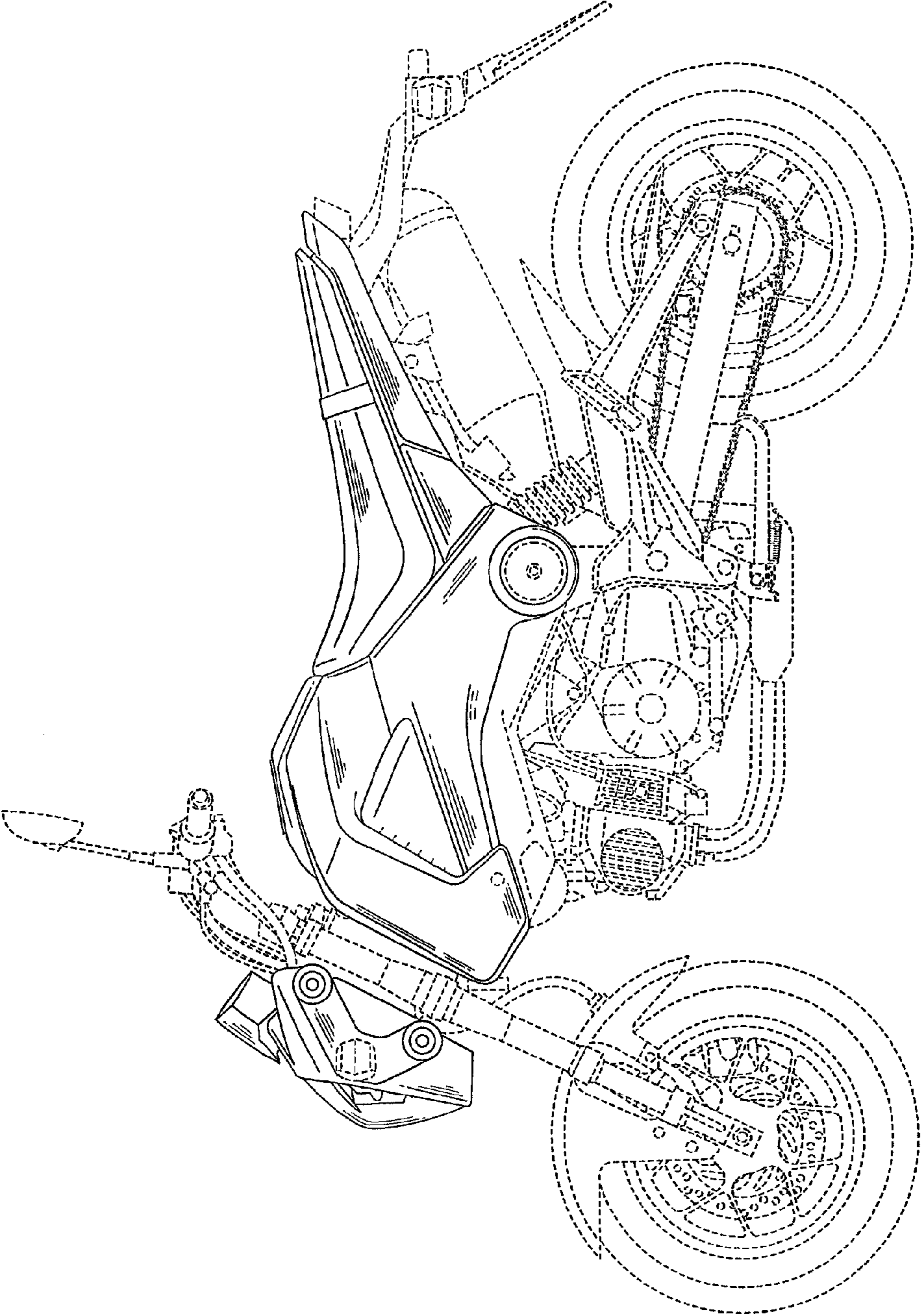


FIG. 7

