



US00D695646S

(12) **United States Design Patent**
Uchino

(10) **Patent No.:** **US D695,646 S**

(45) **Date of Patent:** **** Dec. 17, 2013**

(54) **AUTOMOBILE AND/OR REPLICA THEREOF**

FOREIGN PATENT DOCUMENTS

(75) Inventor: **Hideaki Uchino**, Saitama (JP)

JP 1335665 S 7/2008

(73) Assignee: **Honda Motor Co., Ltd**, Tokyo (JP)

OTHER PUBLICATIONS

(**) Term: **14 Years**

Japanese Office Action dated Jul. 6, 2012, issued in corresponding Japanese Patent Application No. 2011-028357, with English translation (4 pages).

(21) Appl. No.: **29/424,049**

* cited by examiner

(22) Filed: **Jun. 7, 2012**

Primary Examiner — Melody Brown

(30) **Foreign Application Priority Data**

(74) *Attorney, Agent, or Firm* — Westerman, Hattori, Daniels & Adrian, LLP

Dec. 7, 2011 (JP) 2011-028357

(51) **LOC (9) Cl.** **12-08**

(57) **CLAIM**

(52) **U.S. Cl.**

The ornamental design for, an automobile and/or replica thereof, as shown and described.

USPC **D12/92**

DESCRIPTION

(58) **Field of Classification Search**

USPC D12/86, 90-92; D21/424, 433, 434; 296/181.1, 181.5

See application file for complete search history.

FIG. 1 is a perspective view of an automobile and/or replica thereof, showing our new design;
FIG. 2 is a perspective view thereof;
FIG. 3 is a front elevation view thereof;
FIG. 4 is a rear elevation view thereof;
FIG. 5 is a top plan view thereof;
FIG. 6 is a right side elevation view thereof; and,
FIG. 7 is a left side elevation view thereof.

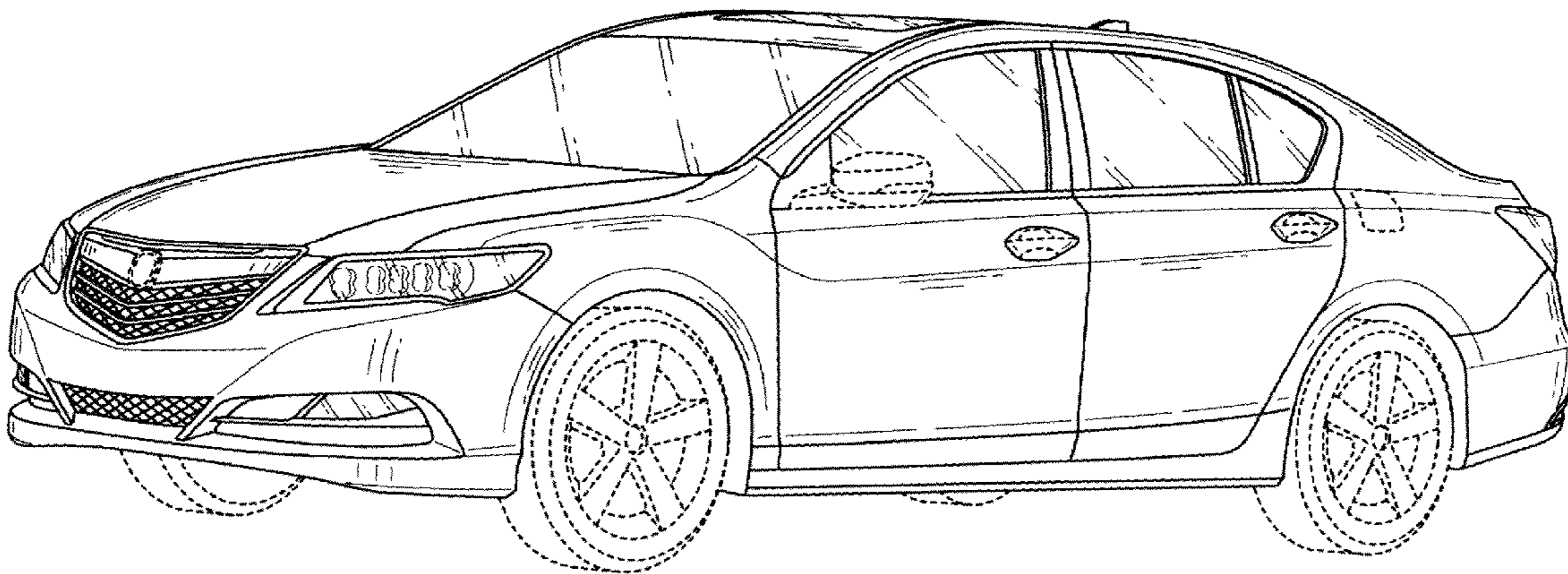
The broken lines are for illustrative purposes only and form no part of the claimed design.

(56) **References Cited**

U.S. PATENT DOCUMENTS

D667,345 S *	9/2012	Tanai et al.	D12/92
D667,756 S *	9/2012	Asakura et al.	D12/92
D671,459 S *	11/2012	Yamada et al.	D12/92
D672,689 S *	12/2012	Kubota et al.	D12/92
D684,896 S *	6/2013	Scheinhutte	D12/92

1 Claim, 7 Drawing Sheets



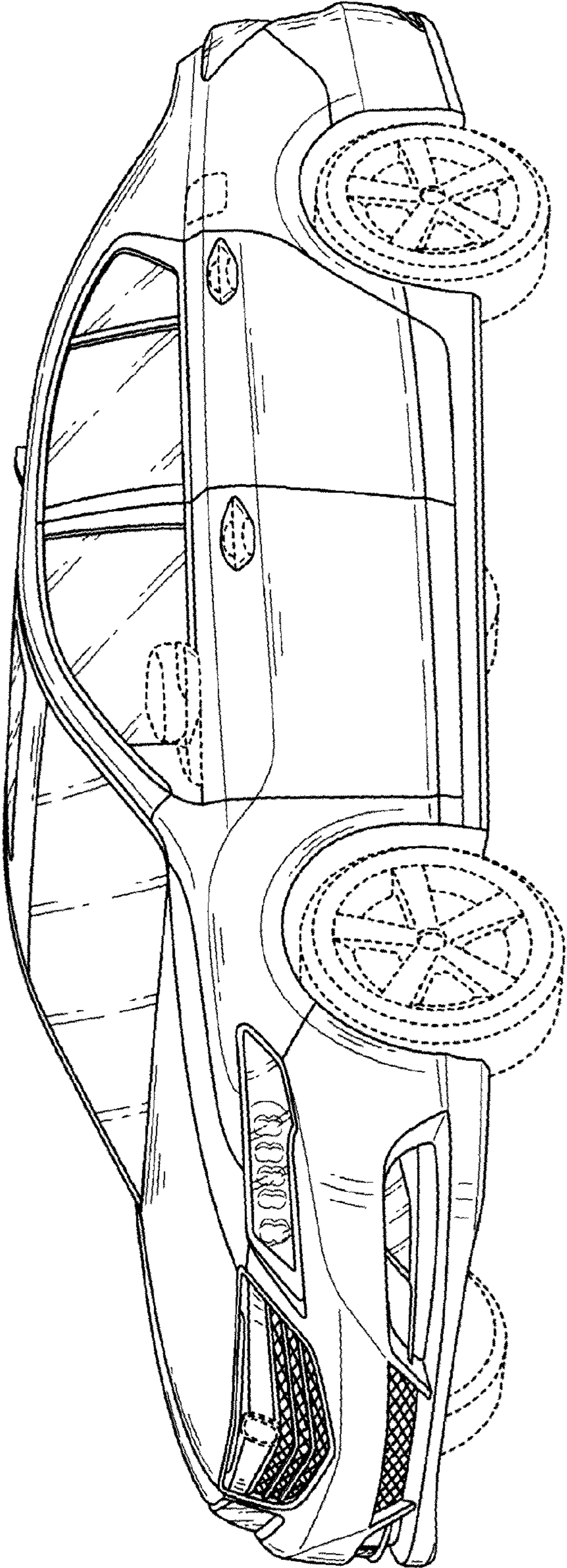


FIG. 1

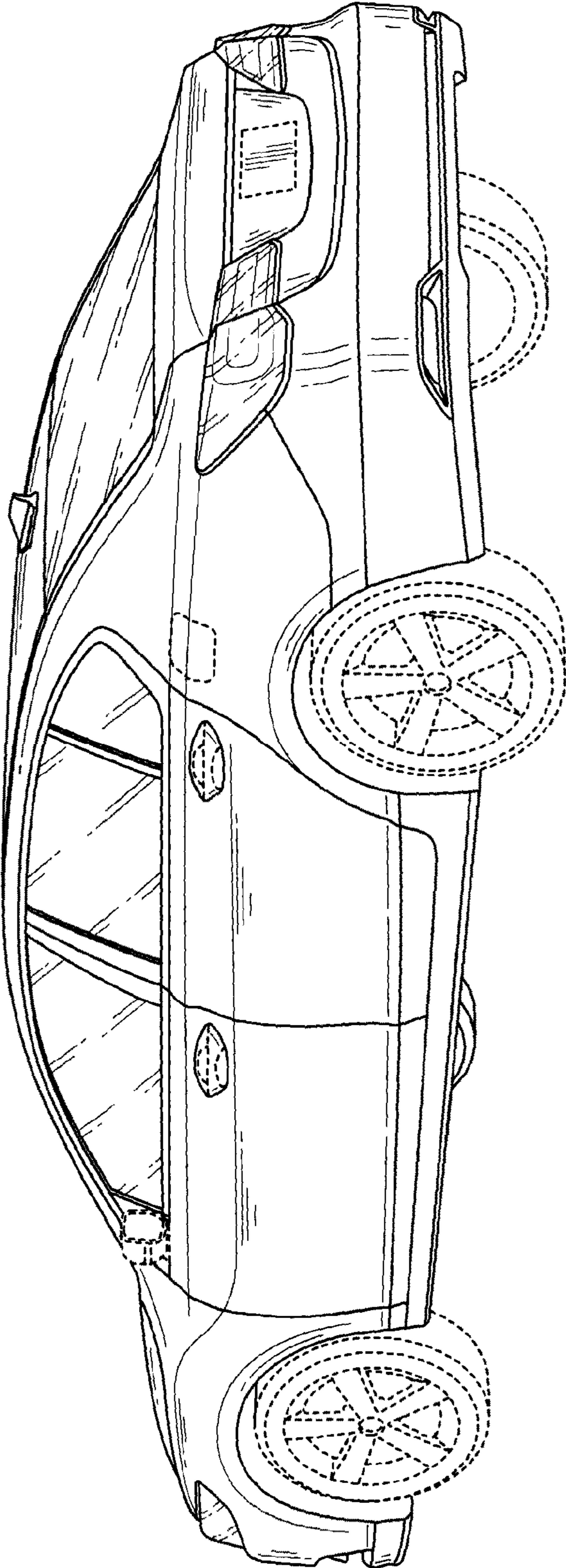


FIG. 2

FIG. 3

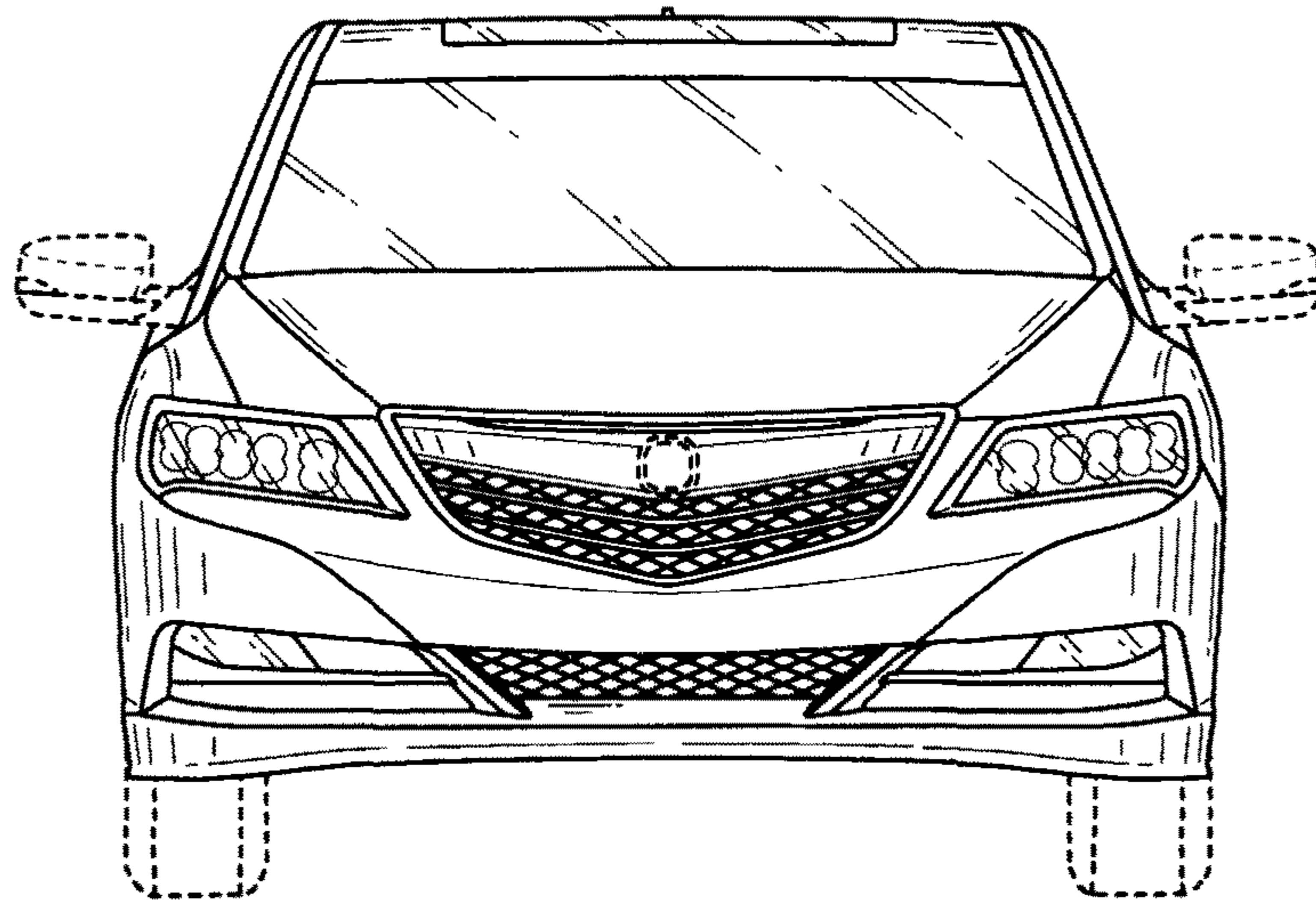


FIG. 4

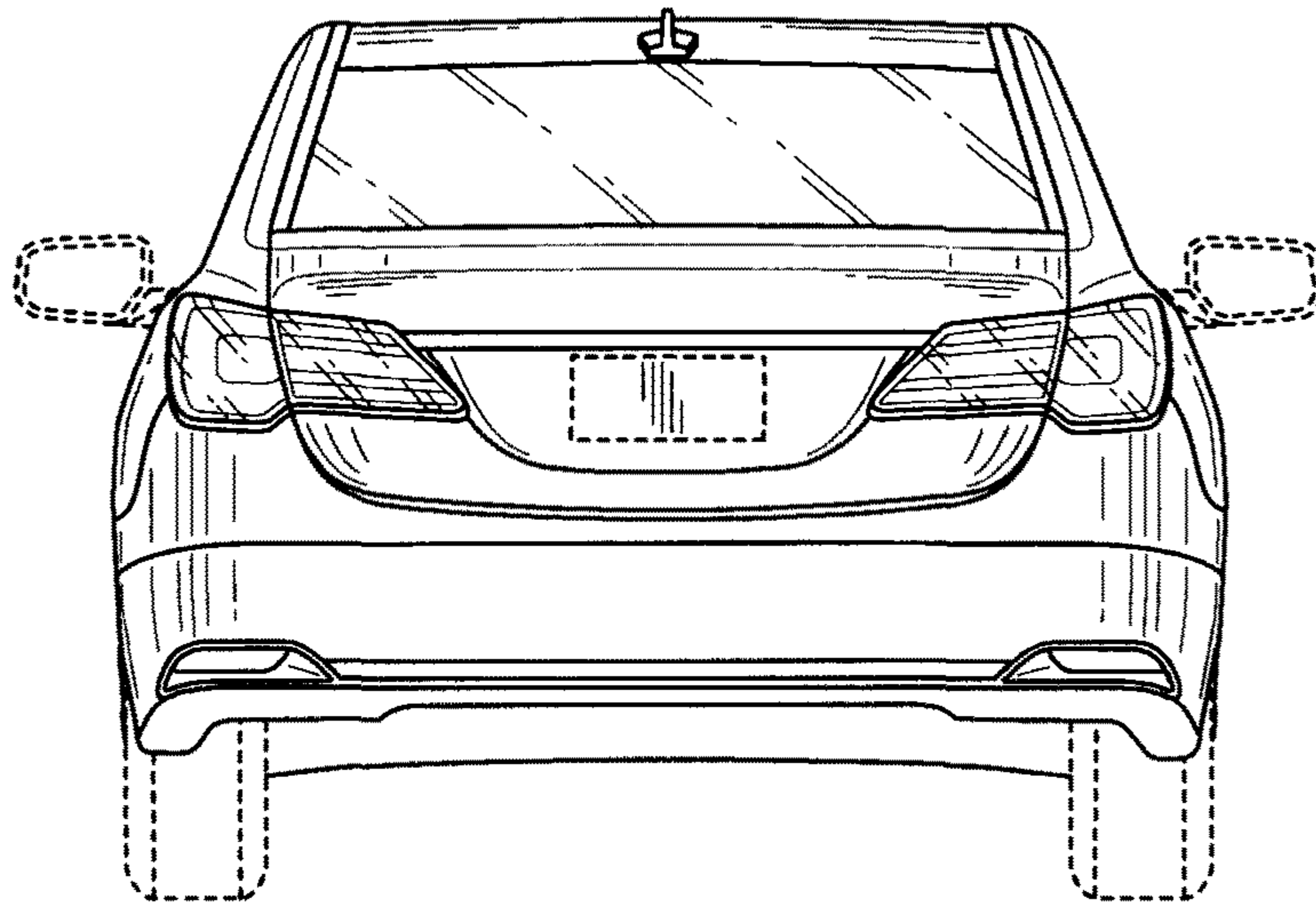
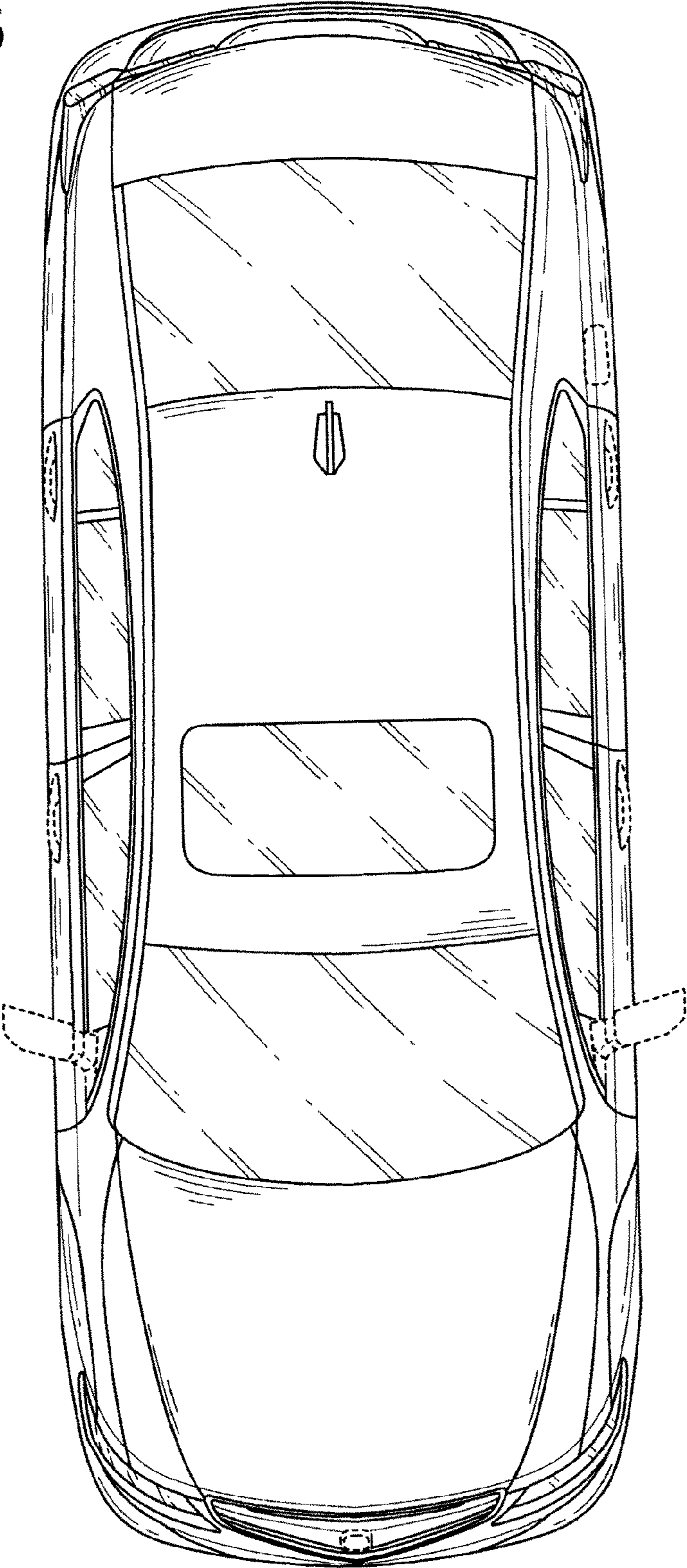


FIG. 5



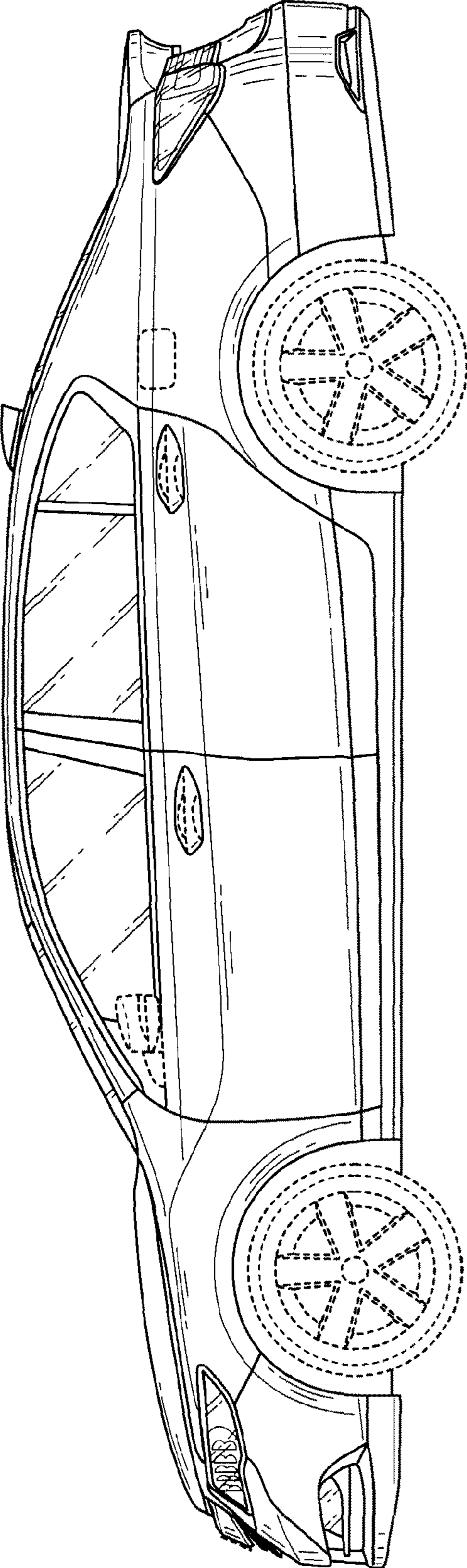


FIG. 6

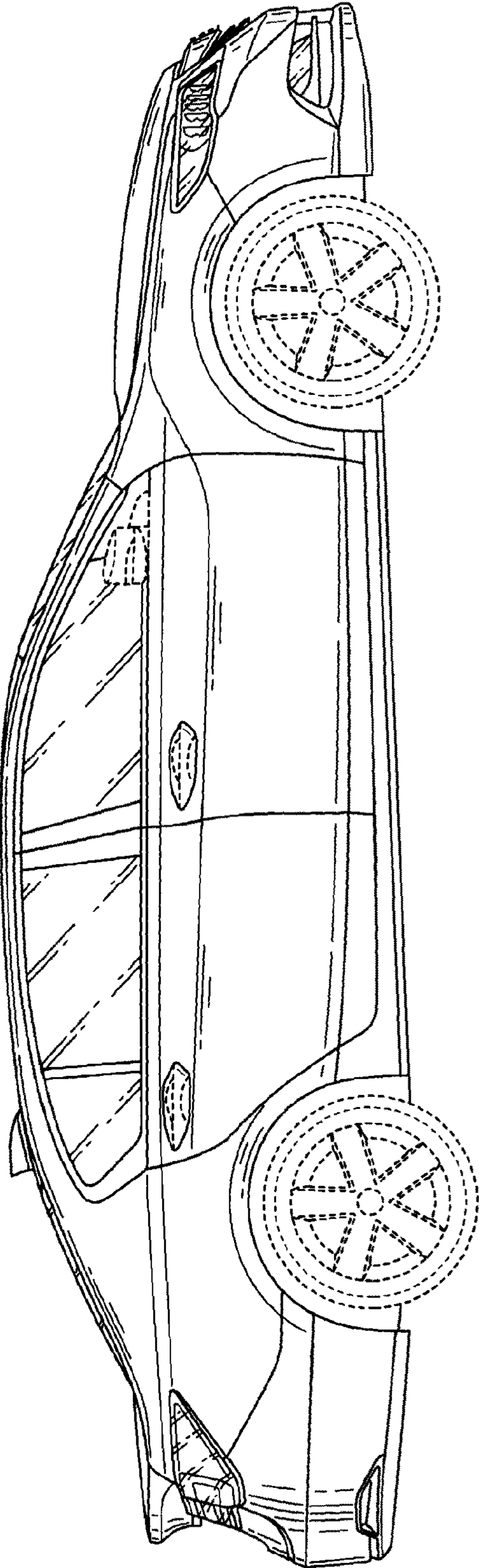


FIG. 7