

US00D695641S

(12) **United States Design Patent**
Coco

(10) **Patent No.:** **US D695,641 S**

(45) **Date of Patent:** **** Dec. 17, 2013**

(54) **BAND OF SECURITY SEALS**

(75) Inventor: **Robert Frank Coco**, Oakleigh (AU)

(73) Assignee: **Tebco International, Inc.**, Hanover Township, PA (US)

(**) Term: **14 Years**

(21) Appl. No.: **29/396,877**

(22) Filed: **Jul. 8, 2011**

(51) **LOC (9) Cl.** **10-05**

(52) **U.S. Cl.**
USPC **D10/106.9**

(58) **Field of Classification Search**
USPC D10/106.9-10.94; D8/71; 292/317,
292/318; 24/587.12, 16 PB; 206/347
See application file for complete search history.

(56) **References Cited**

U.S. PATENT DOCUMENTS

4,042,267 A * 8/1977 Clinch et al. 292/318
5,704,097 A * 1/1998 Rahav 24/16 PB
D545,160 S * 6/2007 Lee D8/71

2006/0006087 A1* 1/2006 Lin 206/347
2013/0026771 A1* 1/2013 Nazzari 292/317
2013/0097824 A1* 4/2013 Chadwick 24/587.12

* cited by examiner

Primary Examiner — George D Kirschbaum

(74) *Attorney, Agent, or Firm* — Robert P. Michal; Lucas & Mercanti, LLP

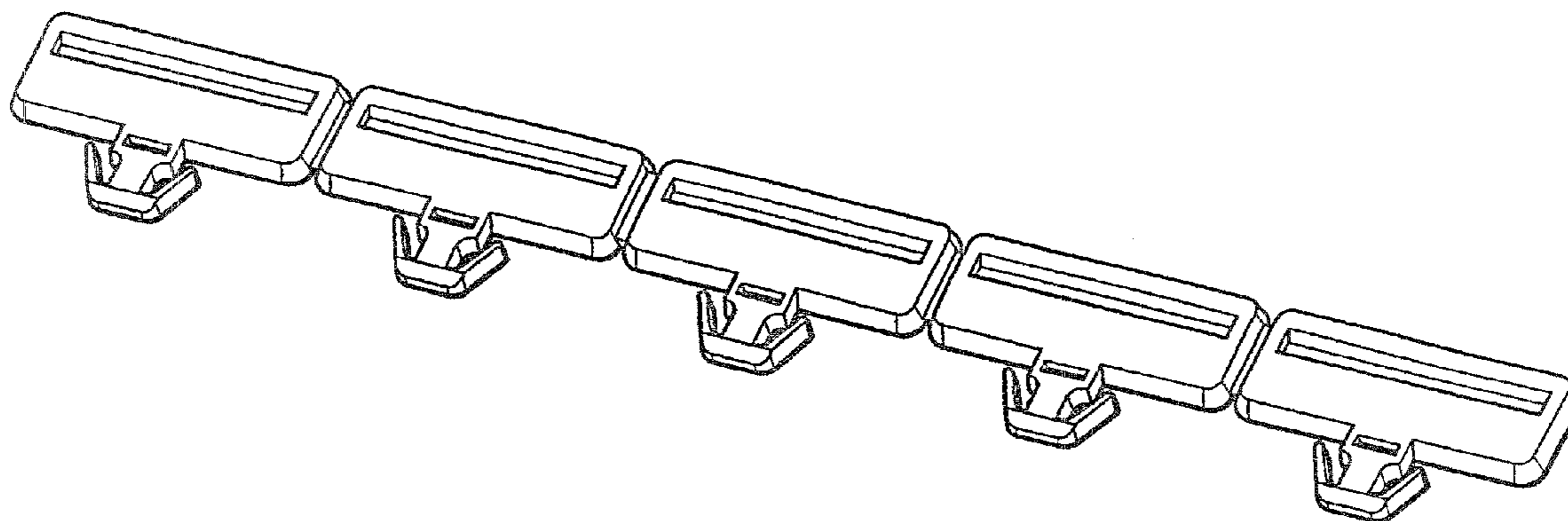
(57) **CLAIM**

The ornamental design for a band of security seals, as shown and described.

DESCRIPTION

FIG. 1 is a bottom perspective view of the band of security seals showing my new design;
FIG. 2 is a top perspective view thereof;
FIG. 3 is a rear view thereof;
FIG. 4 is a bottom view thereof;
FIG. 5 is a front view thereof;
FIG. 6 is a top view thereof;
FIG. 7 is a left side view thereof;
FIG. 8 is a right side view thereof; and,
FIG. 9 is a sectional view along lines 9-9 of FIG. 6.

1 Claim, 3 Drawing Sheets



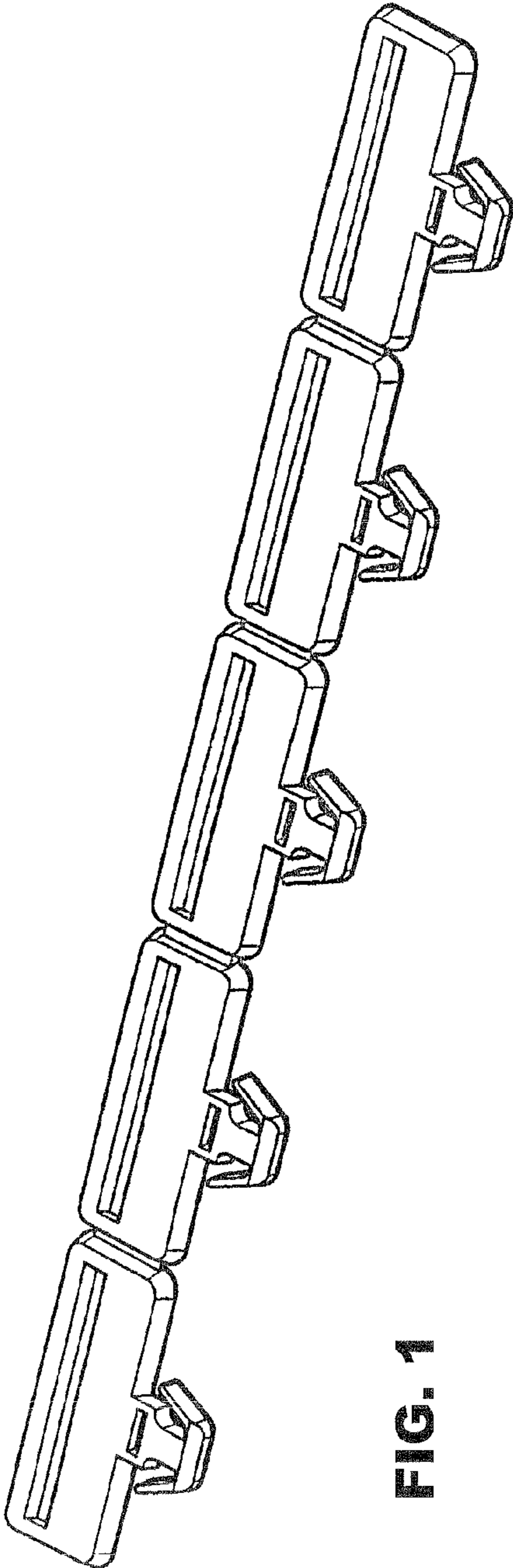


FIG. 1

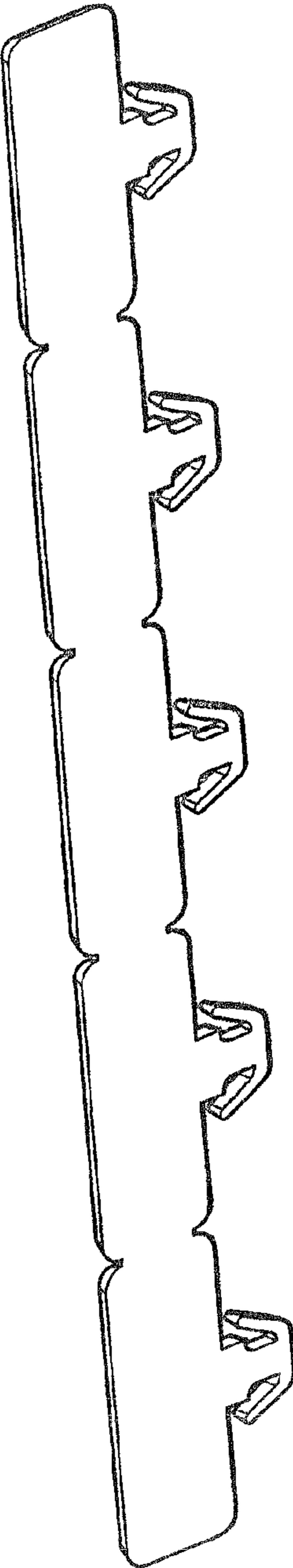


FIG. 2



FIG. 3

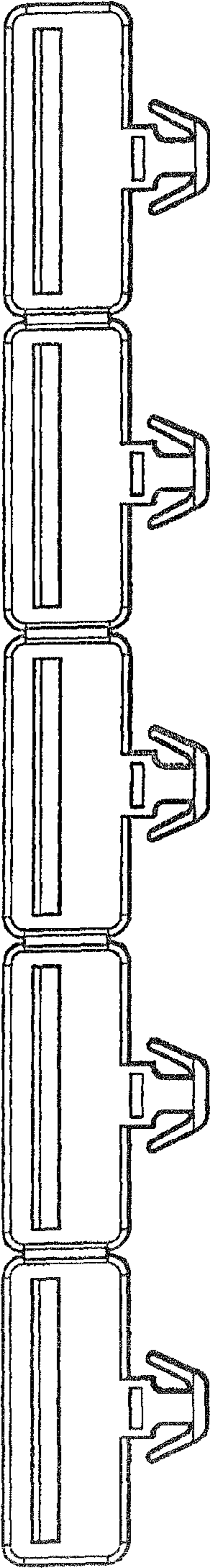


FIG. 4



FIG. 5

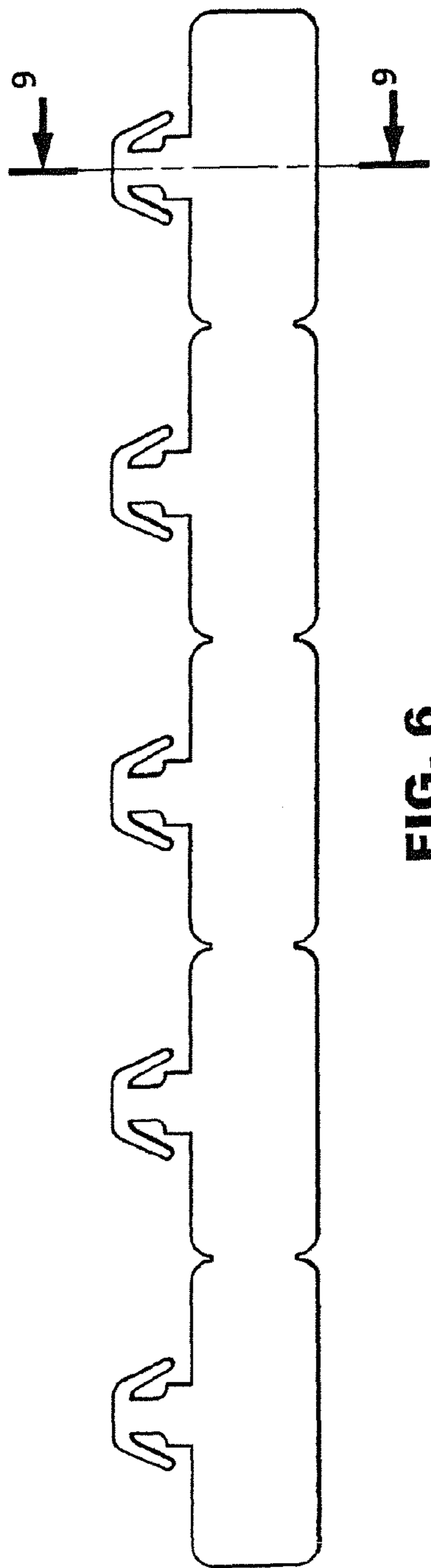


FIG. 6



FIG. 9



FIG. 8



FIG. 7