



US00D695632S

(12) **United States Design Patent**
Akana et al.

(10) **Patent No.:** **US D695,632 S**

(45) **Date of Patent:** **** Dec. 17, 2013**

(54) **PACKAGING WITH ACCESSORY**

(75) Inventors: **Jody Akana**, San Francisco, CA (US);
Bartley K. Andre, Menlo Park, CA (US); **Shota Aoyagi**, San Francisco, CA (US); **Jeremy Bataillou**, San Francisco, CA (US); **Daniel J. Coster**, San Francisco, CA (US); **Daniele De Iuliis**, San Francisco, CA (US); **M. Evans Hankey**, San Francisco, CA (US); **Julian Hoening**, San Francisco, CA (US); **Richard P. Howarth**, San Francisco, CA (US); **Jonathan P. Ive**, San Francisco, CA (US); **Duncan Robert Kerr**, San Francisco, CA (US); **Matthew Dean Rohrbach**, San Francisco, CA (US); **Peter Russell-Clarke**, San Francisco, CA (US); **Mikael Silvanto**, San Francisco, CA (US); **Christopher J. Stringer**, Woodside, CA (US); **Eugene Antony Whang**, San Francisco, CA (US); **Rico Zörkendörfer**, San Francisco, CA (US)

(73) Assignee: **Apple Inc.**, Cupertino, CA (US)

(**) Term: **14 Years**

(21) Appl. No.: **29/431,874**

(22) Filed: **Sep. 11, 2012**

(51) **LOC (9) Cl.** **09-01**

(52) **U.S. Cl.**
USPC **D9/722**

(58) **Field of Classification Search**
USPC D9/415, 416, 418, 419, 423, 432, 433, D9/702, 711, 715, 718, 721, 722, 737, 750, D9/759, 760; 206/338, 348, 443, 464, 206/484-489, 525, 525.1, 526, 775-779, 206/781; 229/117.12, 117.18, 117.23, 229/120.07, 120.08, 121, 162.6, 162.7

See application file for complete search history.

(56) **References Cited**

U.S. PATENT DOCUMENTS

1,509,781 A 9/1924 Roth
D114,891 S 5/1939 Fogel
2,316,384 A 4/1943 Abramson
2,450,089 A * 9/1948 Hergesell et al. 206/306

(Continued)

OTHER PUBLICATIONS

Horwitz, Jeremy, "Apple In-Ear Headphones with Remote and Mic," iLounge.com. (<http://www.ilounge.com/index.php/reviews/entry/apple-in-ear-headphones-with-remote-and-mic/>), published Dec. 12, 2008, 15 pages.

(Continued)

Primary Examiner — Derrick Holland

Assistant Examiner — Lauren Calve

(74) *Attorney, Agent, or Firm* — Sterne, Kessler, Goldstein & Fox P.L.L.C.

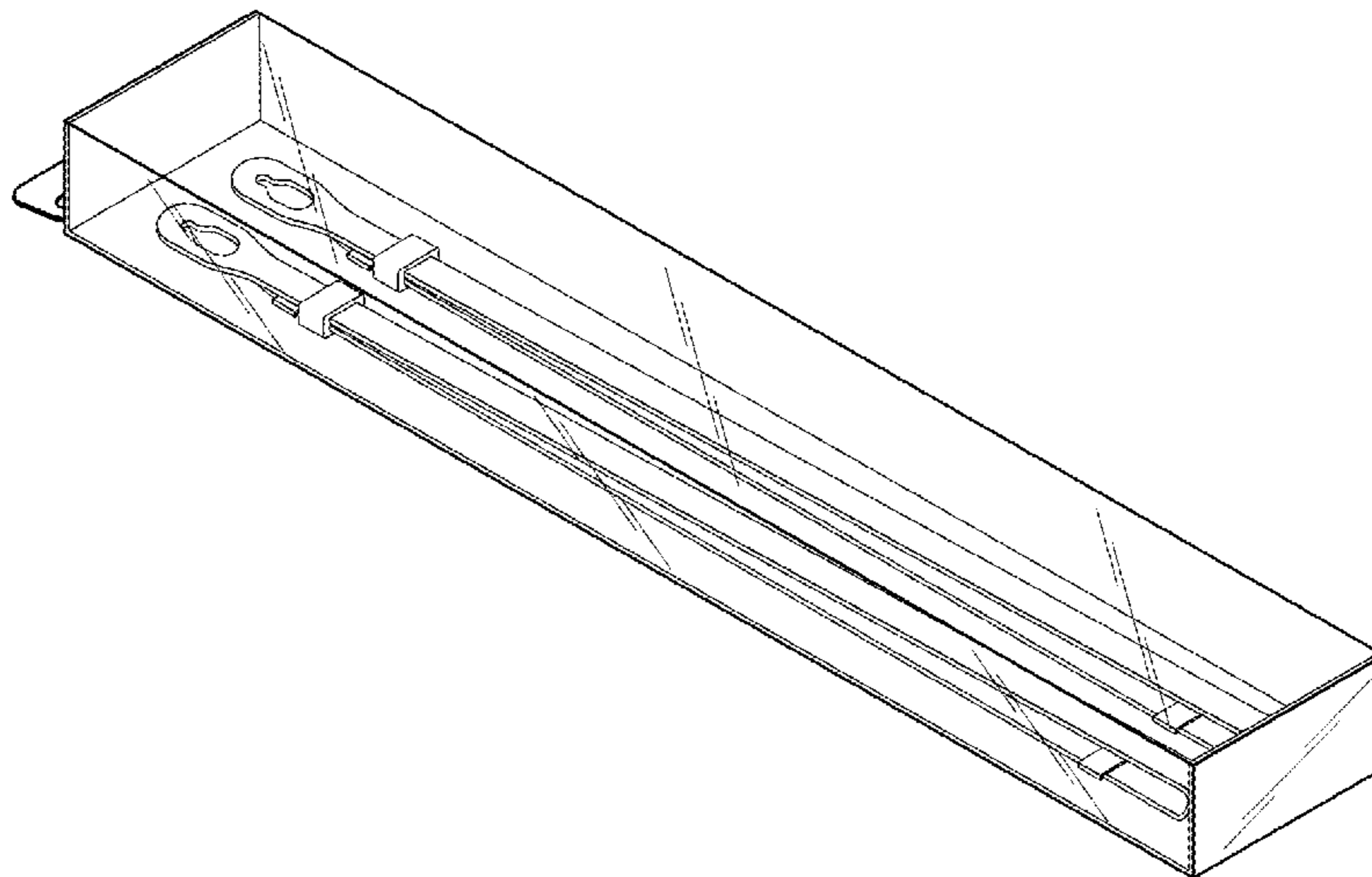
(57) **CLAIM**

The ornamental design for a packaging with accessory, as shown and described.

DESCRIPTION

FIG. 1 is a front perspective view of a packaging with accessory showing our new design;
FIG. 2 is a front view thereof;
FIG. 3 is a rear view thereof;
FIG. 4 is a left side view thereof;
FIG. 5 is a right side view thereof;
FIG. 6 is a top view thereof; and,
FIG. 7 is a bottom view thereof.
The diagonal shade lines in FIGS. 1-7 represent transparency, and not surface ornamentation.

1 Claim, 3 Drawing Sheets



(56)

References Cited

U.S. PATENT DOCUMENTS

2,964,348 A 12/1960 Ingham
 3,010,569 A * 11/1961 Goldman 206/306
 3,220,543 A * 11/1965 McCord et al. 206/362.2
 D209,953 S * 1/1968 Stehl D9/415
 D216,251 S * 12/1969 Offray D9/415
 3,771,275 A 11/1973 Seckerson
 3,890,204 A * 6/1975 Avery 600/572
 4,614,322 A 9/1986 Goetz
 5,027,477 A 7/1991 Seron
 5,046,222 A 9/1991 Byers et al.
 D338,037 S 8/1993 Miller et al.
 D368,028 S * 3/1996 Baker D9/415
 D368,588 S 4/1996 Goraleski et al.
 5,823,364 A 10/1998 Mucciacciaro
 6,070,723 A * 6/2000 Lewis 206/335
 D429,637 S * 8/2000 Kumakura et al. D9/415
 6,171,039 B1 1/2001 Seurujarvi
 6,321,965 B1 11/2001 Lavi et al.
 7,013,675 B2 3/2006 Marquez-Pickering
 7,124,470 B2 10/2006 Alanis

7,188,814 B2 3/2007 Davis
 D541,190 S 4/2007 Plzak
 D550,556 S * 9/2007 Berner D9/432
 D554,495 S 11/2007 Hanji
 D557,008 S 12/2007 Stiller
 D562,807 S 2/2008 Andre et al.
 D584,142 S 1/2009 Andre et al.
 D609,560 S * 2/2010 Mchatet D9/415
 D644,097 S * 8/2011 McDonald et al. D9/418
 8,295,533 B1 10/2012 Schachtman
 8,328,011 B2 * 12/2012 Skurdalsvold et al. 206/335
 2003/0160074 A1 8/2003 Pineda
 2006/0113345 A1 6/2006 Zoullas et al.
 2007/0084020 A1 4/2007 Chiu et al.
 2012/0273541 A1 11/2012 Zwach

OTHER PUBLICATIONS

U.S. Appl. No. 61/665,108, filed Jun. 27, 2012 (Not Published).
 U.S. Appl. No. 29/431,876, filed Sep. 11, 2012 (Not Published).
 U.S. Appl. No. 29/432,143, filed Sep. 13, 2012 (Not Published).
 U.S. Appl. No. 13/621,821, filed Sep. 17, 2012 (Not Published).

* cited by examiner

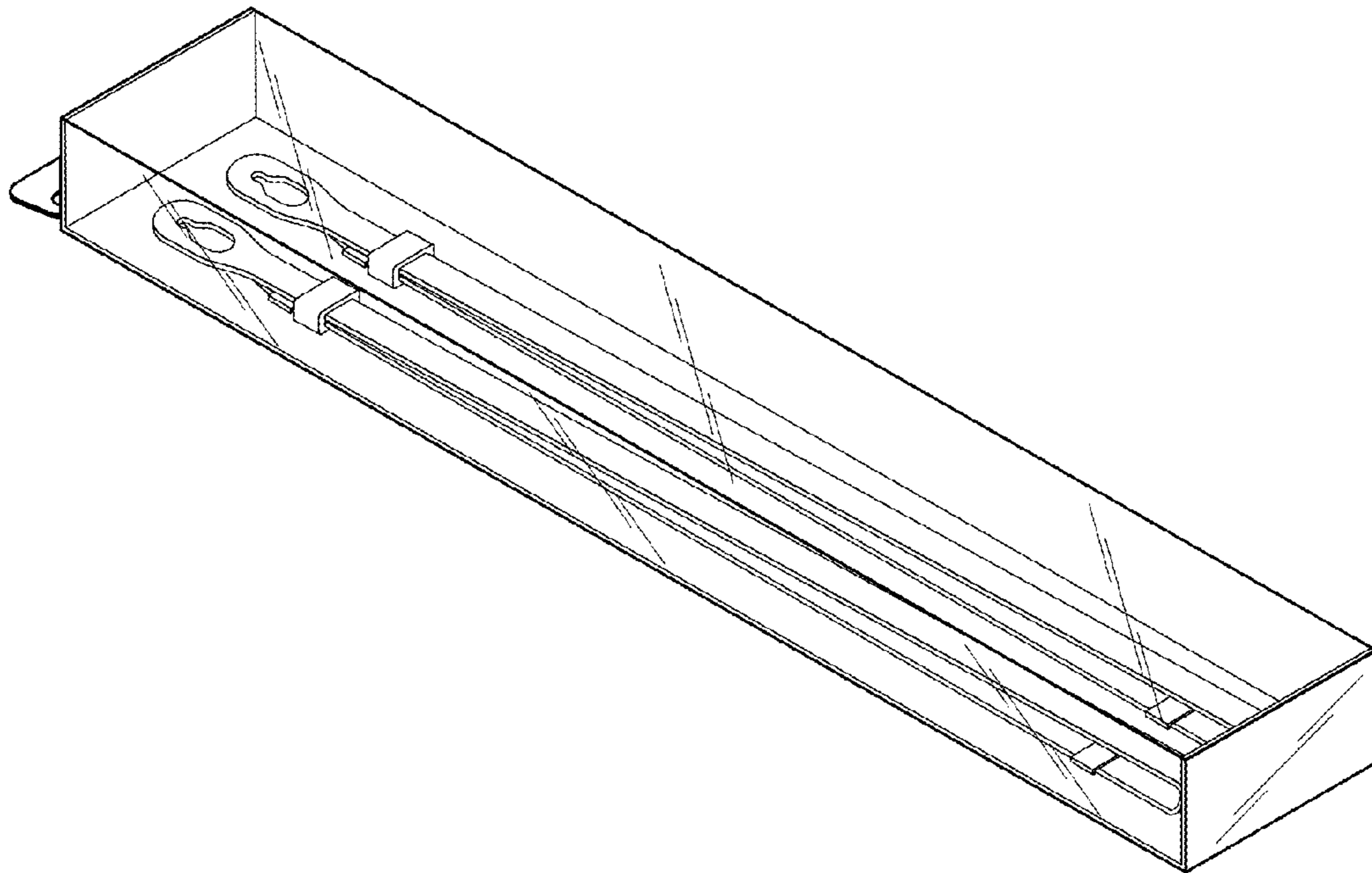


FIG. 1

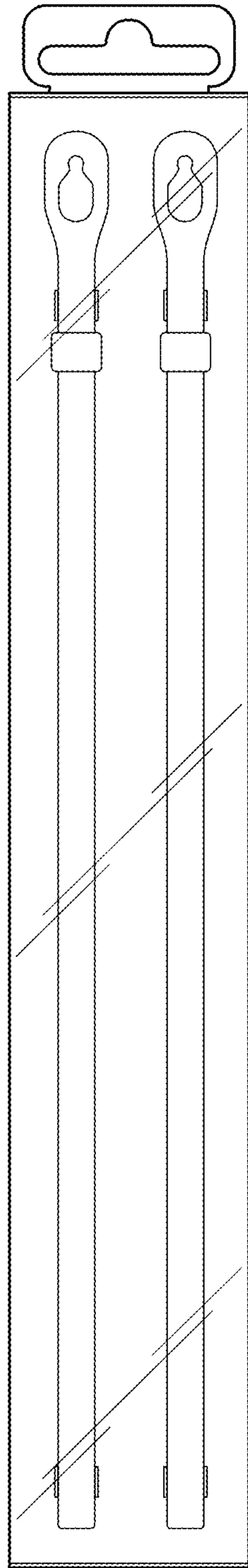


FIG. 2

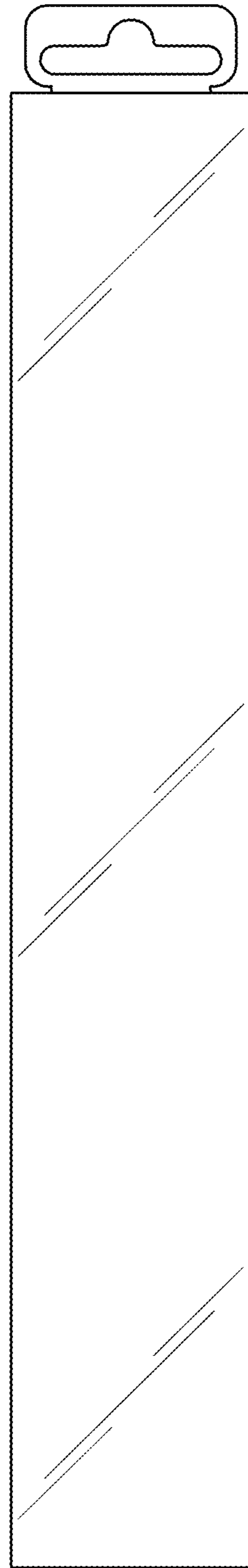


FIG. 3

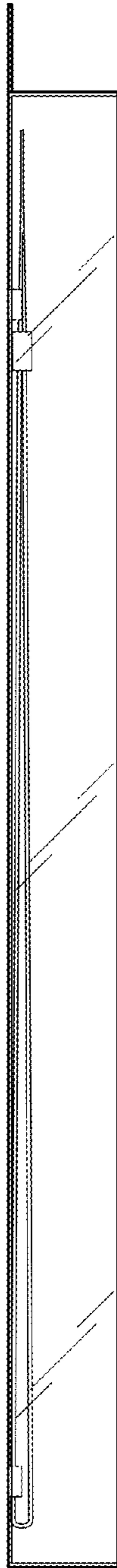


FIG. 4

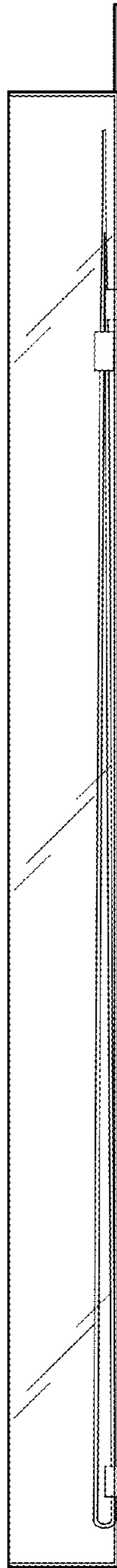


FIG. 5

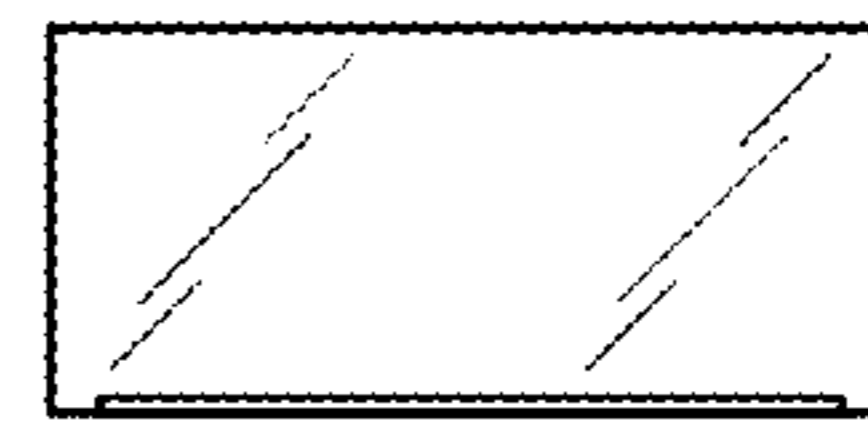


FIG. 6

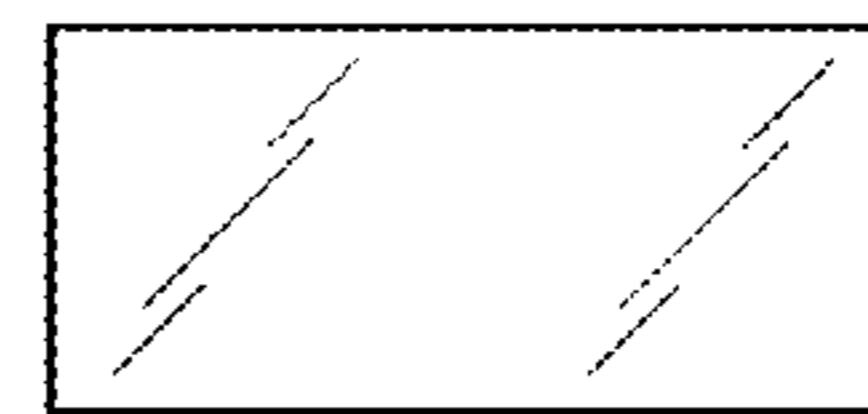


FIG. 7