



US00D695629S

(12) **United States Design Patent**
Hynes et al.

(10) **Patent No.:** **US D695,629 S**
(45) **Date of Patent:** **** Dec. 17, 2013**

(54) **FOOD CONTAINER**

(75) Inventors: **Kenneth A Hynes**, Olmsted Township, OH (US); **Patrick J Poorman**, Bay Village, OH (US)

(73) Assignee: **Flavorseal, LLC**, Avon, OH (US)

(**) Term: **14 Years**

(21) Appl. No.: **29/431,960**

(22) Filed: **Sep. 12, 2012**

Related U.S. Application Data

(60) Continuation of application No. 29/375,772, filed on Sep. 27, 2010, now Pat. No. Des. 669,793, which is a division of application No. 29/341,490, filed on Aug. 6, 2009, now Pat. No. Des. 624,435, which is a continuation of application No. 29/319,988, filed on Jun. 18, 2008, now Pat. No. Des. 622,156, which is a continuation-in-part of application No. 10/917,912, filed on Aug. 13, 2004, now abandoned.

(51) **LOC (9) Cl.** **09-05**

(52) **U.S. Cl.**
USPC **D9/702**

(58) **Field of Classification Search**
USPC D9/702-714, 720, 415-416, 430-433, D9/418; 229/75, 110, 904; 383/61.2, 383/106-108, 92-97, 104; D3/202, 203.1, D3/303; D7/602, 619.1; D24/118, 207; 222/92, 107
See application file for complete search history.

(56) **References Cited**

U.S. PATENT DOCUMENTS

2,297,375 A 12/1936 Vogt
3,186,625 A 6/1965 Mcad
3,407,077 A 10/1968 Helin

D293,187 S * 12/1987 Mattson D7/396.5
D297,306 S * 8/1988 King D9/709
D327,611 S * 7/1992 Capella D7/396.5
5,286,503 A 2/1994 Kupcikevicius
5,332,094 A 7/1994 Cilia et al.
5,393,293 A 2/1995 Cilia et al.
5,558,438 A 9/1996 Warr
5,593,229 A 1/1997 Warr
5,613,423 A 3/1997 Polster

(Continued)

FOREIGN PATENT DOCUMENTS

JP 2000335655 12/2000

OTHER PUBLICATIONS

Product Catalog of The Packaging Factory, Ltd., downloaded from Internet at www.cookchillsupplies.com, Jun. 2004.

(Continued)

Primary Examiner — Caron D Veynar

Assistant Examiner — Abraham Bahta

(74) *Attorney, Agent, or Firm* — Calfee, Halter & Griswold LLP

(57) **CLAIM**

The ornamental design for a food container, as shown and described.

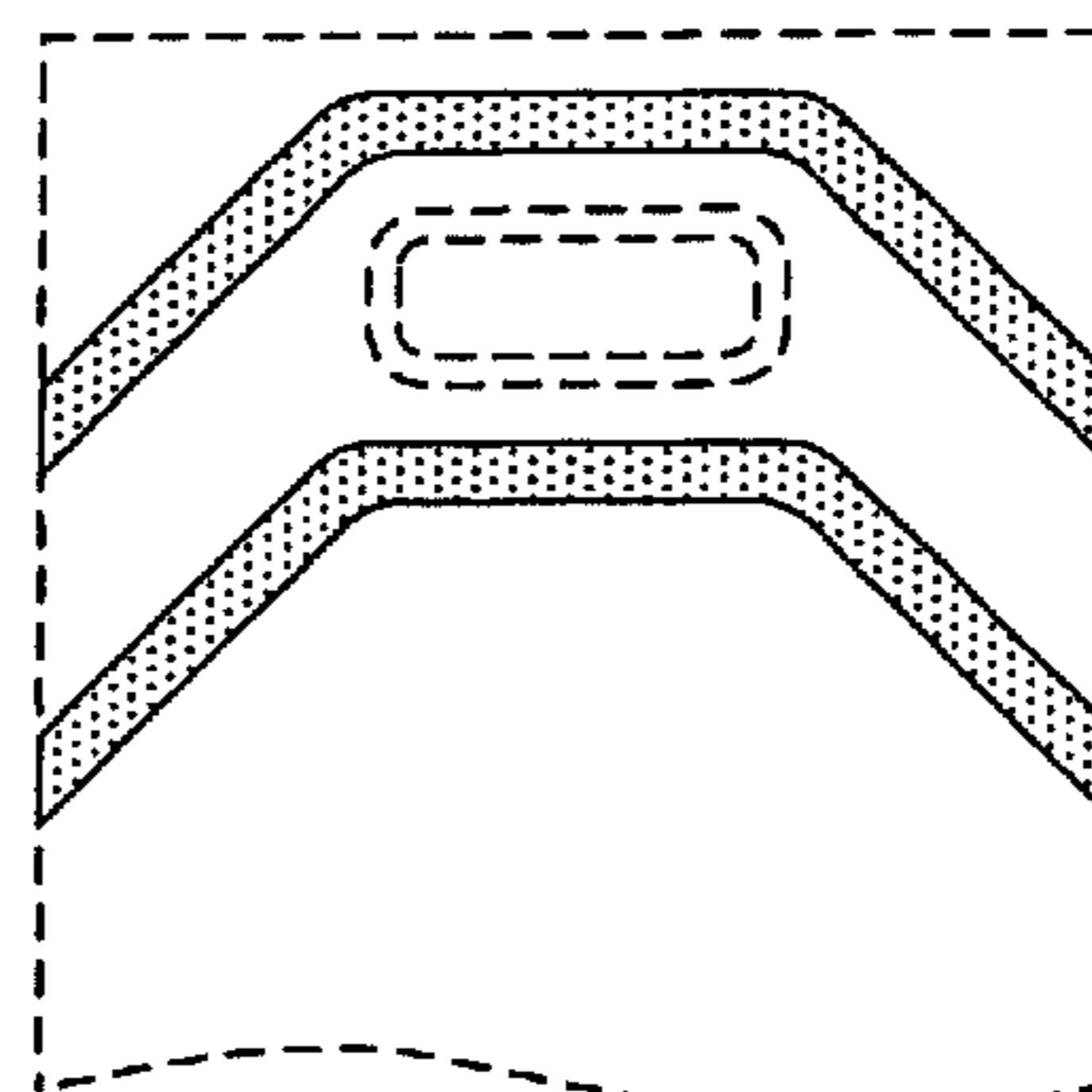
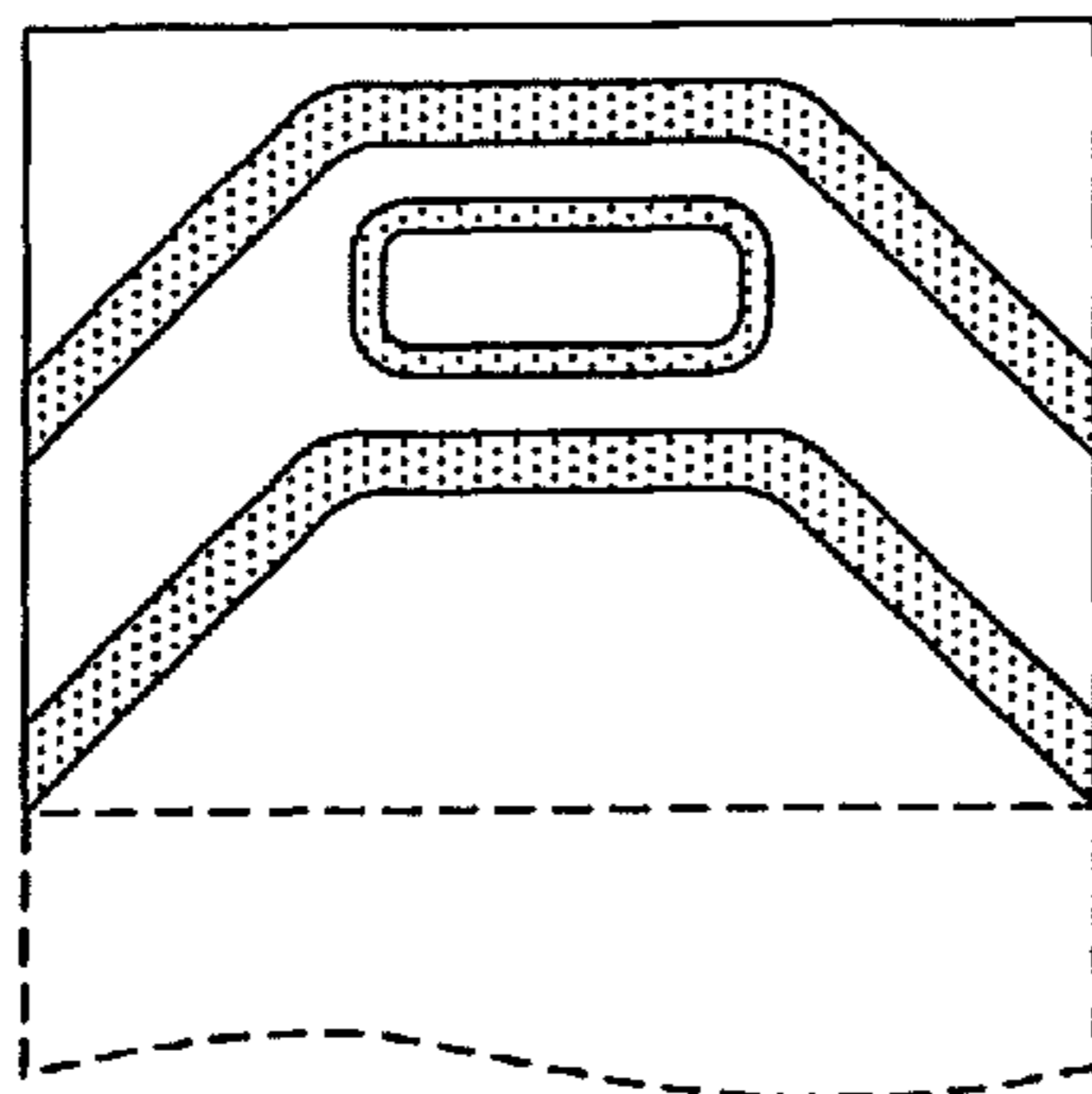
DESCRIPTION

FIG. 1 is a front view of a food container showing our design, side and end views being substantially a line; and, FIG. 2 is a front view of a food container showing our design, side and end views being substantially a line.

The broken lines shown herein are for illustrative purposes only and form no part of the claimed design.

The stippling shown herein indicates securement of a first side of the food container to a second side of the food container.

1 Claim, 1 Drawing Sheet



(56)

References Cited

U.S. PATENT DOCUMENTS

5,653,090 A 8/1997 Weiss et al.
 5,706,718 A 1/1998 Svensson
 5,896,748 A 4/1999 Park
 5,914,142 A 6/1999 Zartner
 6,065,871 A 5/2000 Warr
 6,116,043 A 9/2000 Clark et al.
 6,153,232 A 11/2000 Holten et al.
 6,270,819 B1 8/2001 Wiese
 6,332,335 B1 12/2001 Kajimoto et al.
 D466,404 S 12/2002 Gates
 D470,044 S 2/2003 Pige
 D470,757 S 2/2003 Espinel et al.
 6,586,026 B1 7/2003 Ramesh et al.
 6,624,130 B2 9/2003 Giblin et al.
 6,667,081 B1 12/2003 Aoki et al.
 D486,388 S 2/2004 Rauen
 6,702,460 B1 3/2004 Geyer
 D490,301 S 5/2004 Townsend
 D499,636 S 12/2004 Bennie
 D528,004 S * 9/2006 Ratzlaff D9/516
 D535,192 S 1/2007 Yashima et al.
 7,195,396 B2 3/2007 Diplock
 D540,693 S 4/2007 Smalls

D541,171 S * 4/2007 Delmotte et al. D9/709
 D541,668 S * 5/2007 Pokusa et al. D9/709
 D545,216 S 6/2007 O'Keefe et al.
 D554,138 S * 10/2007 Evans et al. D14/486
 D561,604 S 2/2008 Galor
 D563,241 S * 3/2008 Nimey D9/705
 D567,668 S 4/2008 Lin
 D585,746 S 2/2009 Dodge et al.
 D622,156 S * 8/2010 Hynes D9/702
 D624,435 S * 9/2010 Hynes et al. D9/702
 D626,009 S 10/2010 McClelland et al.
 D632,573 S * 2/2011 Bolsinger D9/457
 D643,723 S 8/2011 Snyder
 D644,925 S * 9/2011 Jaworski D9/434
 2001/0015054 A1 8/2001 Caudle
 2003/0059130 A1 3/2003 Yoneyama et al.
 2004/0096127 A1 5/2004 Rosn
 2004/0253399 A1 12/2004 Menges et al.
 2007/0122067 A1 5/2007 Redmond

OTHER PUBLICATIONS

Park Air Converting Solutions, <http://www.parkair.com>, downloaded Mar. 2008, copyright 2007.

* cited by examiner

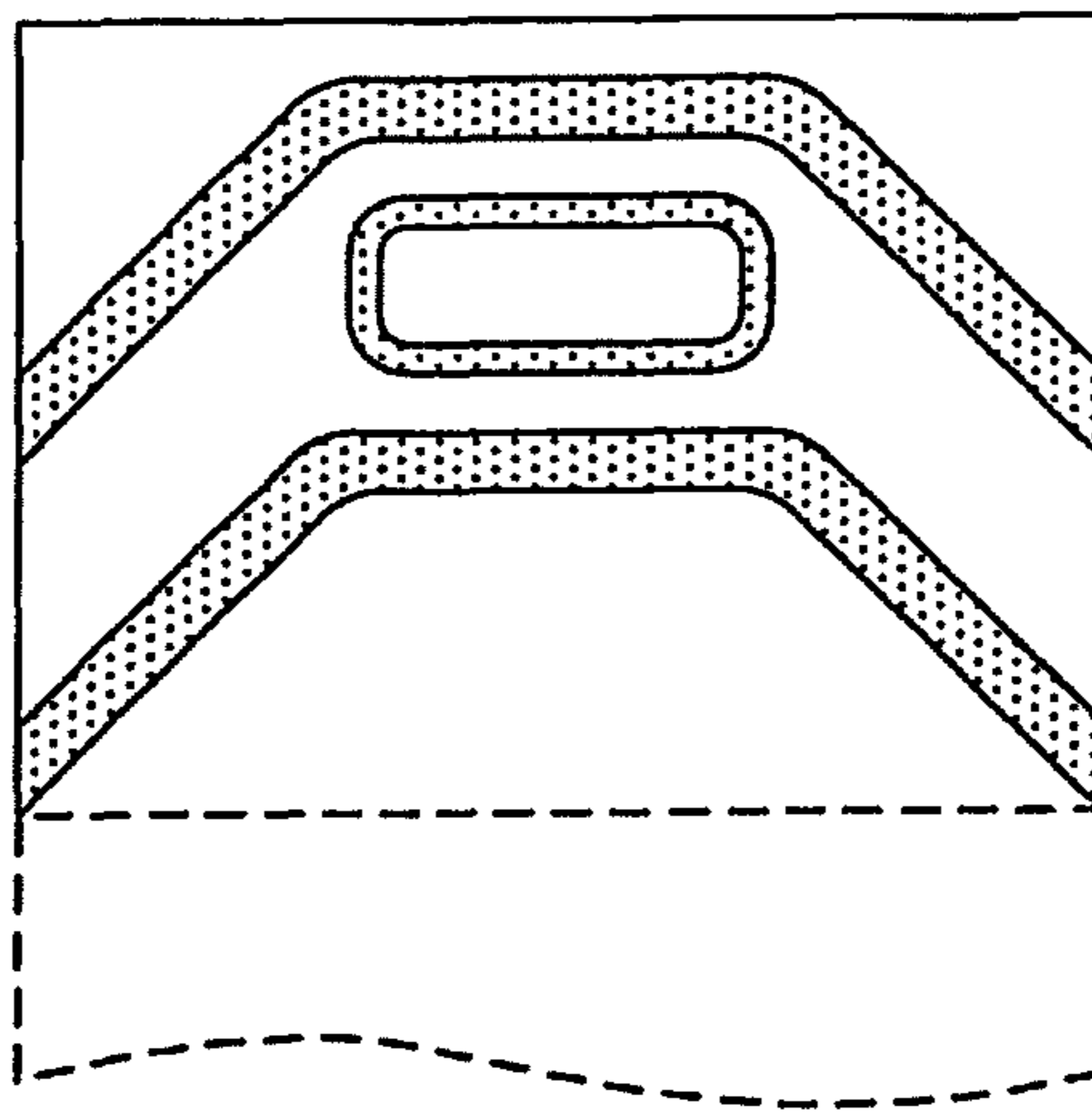


FIG. 1

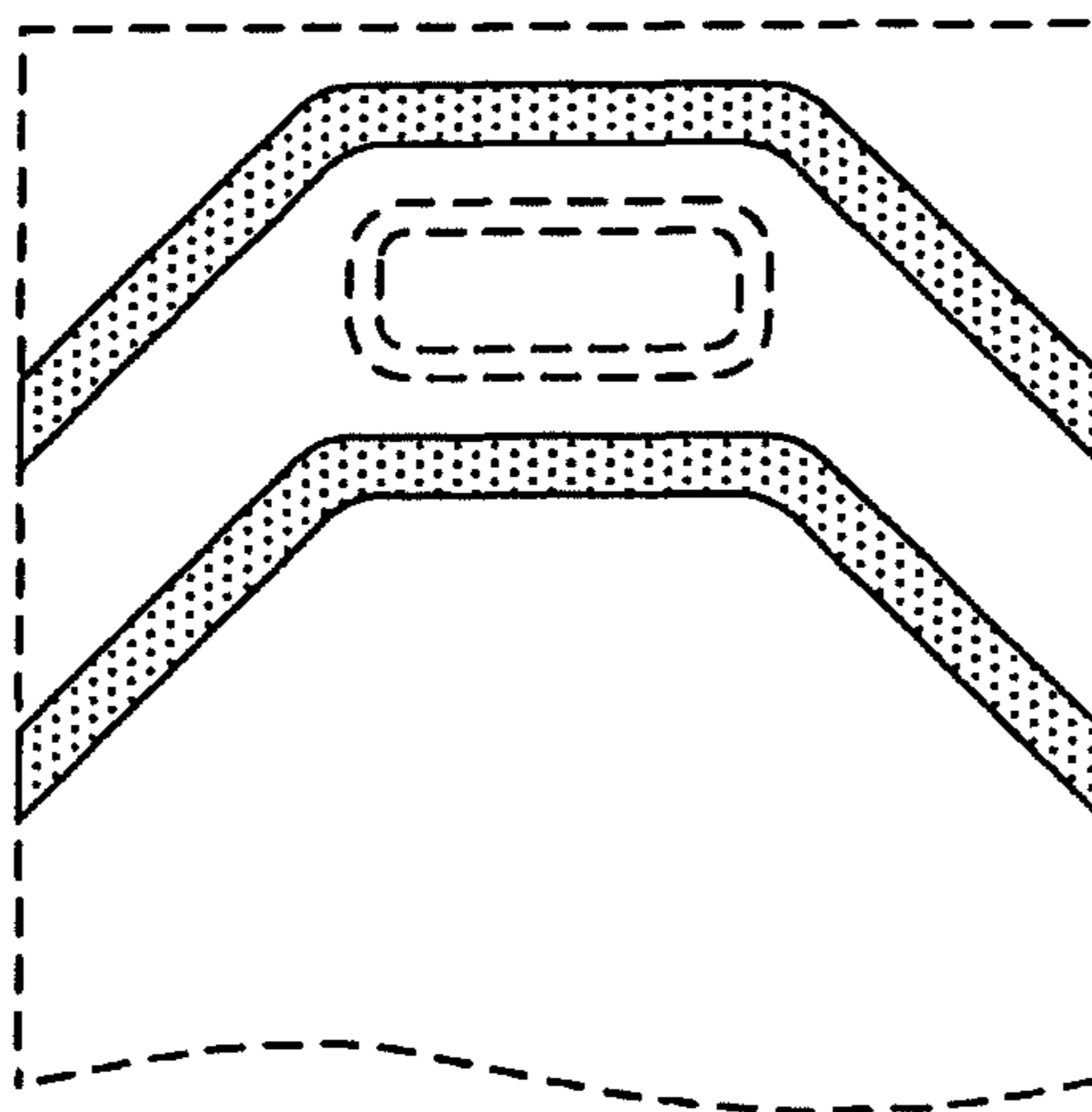


FIG. 2