



US00D695620S

(12) **United States Design Patent**
Karekar

(10) **Patent No.:** **US D695,620 S**

(45) **Date of Patent:** **** Dec. 17, 2013**

(54) **JAR**

(75) **Inventor:** **Shyamsunder Balakrishna Karekar,**
Bangalore (IN)

(73) **Assignee:** **Conopco, Inc.,** Englewood Cliffs, NJ
(US)

(**) **Term:** **14 Years**

(21) **Appl. No.:** **29/417,386**

(22) **Filed:** **Apr. 3, 2012**

(30) **Foreign Application Priority Data**

Oct. 7, 2011 (EM) 001928631-0001

(51) **LOC (9) Cl.** **09-01**

(52) **U.S. Cl.**
USPC **D9/529; D9/561**

(58) **Field of Classification Search**
USPC D9/682, 687, 694, 516, 529, 544, 546,
D9/559-561, 572-575, 414, 430, 435,
D9/444-445; 215/381-385

See application file for complete search history.

(56) **References Cited**

U.S. PATENT DOCUMENTS

D234,416 S *	3/1975	Skolnik	D9/544
D308,336 S *	6/1990	Delbanco	D9/572
D361,038 S *	8/1995	Klappet	D9/529
D382,369 S *	8/1997	Yang	D28/85
D439,838 S *	4/2001	Sagel et al.	D9/430
D449,524 S *	10/2001	Kieras	D9/559
D459,650 S *	7/2002	Gagnon	D9/687
6,592,023 B2 *	7/2003	Li Vigni et al.	229/146
D478,819 S *	8/2003	Pfaeffli et al.	D9/559

6,779,658 B2 *	8/2004	Polloni et al.	206/268
D497,038 S *	10/2004	Tsai	D9/561 X
D500,448 S *	1/2005	Krunas	D9/572
D520,374 S *	5/2006	Herrmann et al.	D9/561
D551,561 S *	9/2007	Bieger et al.	D9/561
D558,579 S *	1/2008	Blasko et al.	D9/529
D563,666 S *	3/2008	Davis	D3/202
D569,254 S *	5/2008	Moretti	D9/529
D582,292 S *	12/2008	Short et al.	D9/571 X
D584,960 S *	1/2009	Sherwood	D9/686
D598,295 S *	8/2009	Miceli et al.	D9/561
D617,554 S *	6/2010	Raile	D3/265
D622,606 S *	8/2010	Masotti et al.	D9/575 X
D624,432 S *	9/2010	Fox et al.	D9/561
D627,657 S *	11/2010	Vogler	D9/544
D646,580 S *	10/2011	Dolhun	D9/575 X
D653,554 S *	2/2012	Kitazawa et al.	D9/561

* cited by examiner

Primary Examiner — Carol P Rademaker

(74) *Attorney, Agent, or Firm* — Ellen Plotkin

(57) **CLAIM**

The ornamental design for a jar, as shown and described.

DESCRIPTION

FIG. 1 is the front elevational view of the jar, showing the new design;

FIG. 2 is the back elevational view thereof;

FIG. 3 is the left side elevational view thereof;

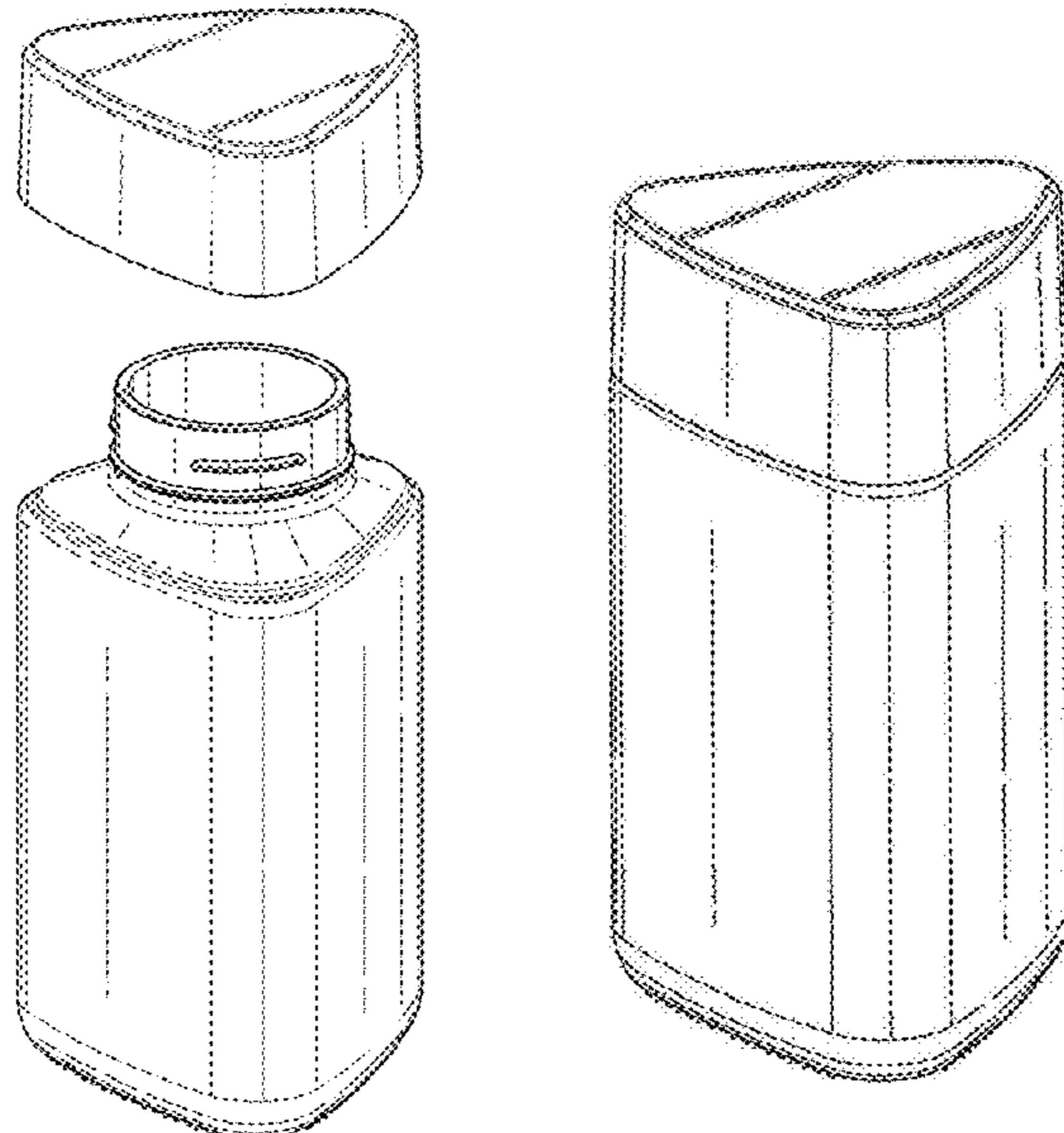
FIG. 4 is the right side elevational view thereof;

FIG. 5 is the top plan view thereof;

FIG. 6 is a top, front, right side perspective view shown in open condition; and,

FIG. 7 is a top, front, right side perspective view shown in closed condition.

1 Claim, 7 Drawing Sheets



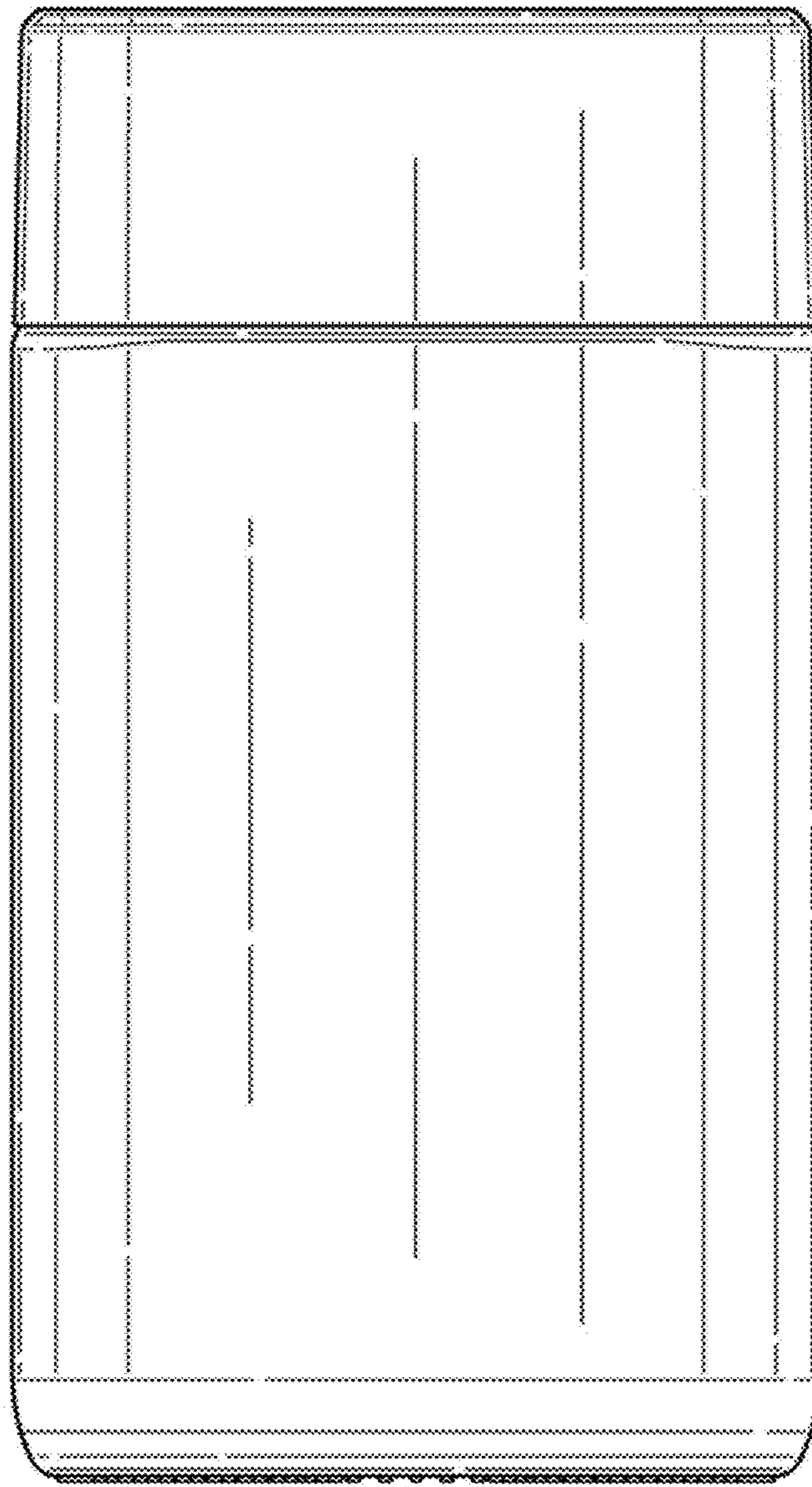


FIG. 1

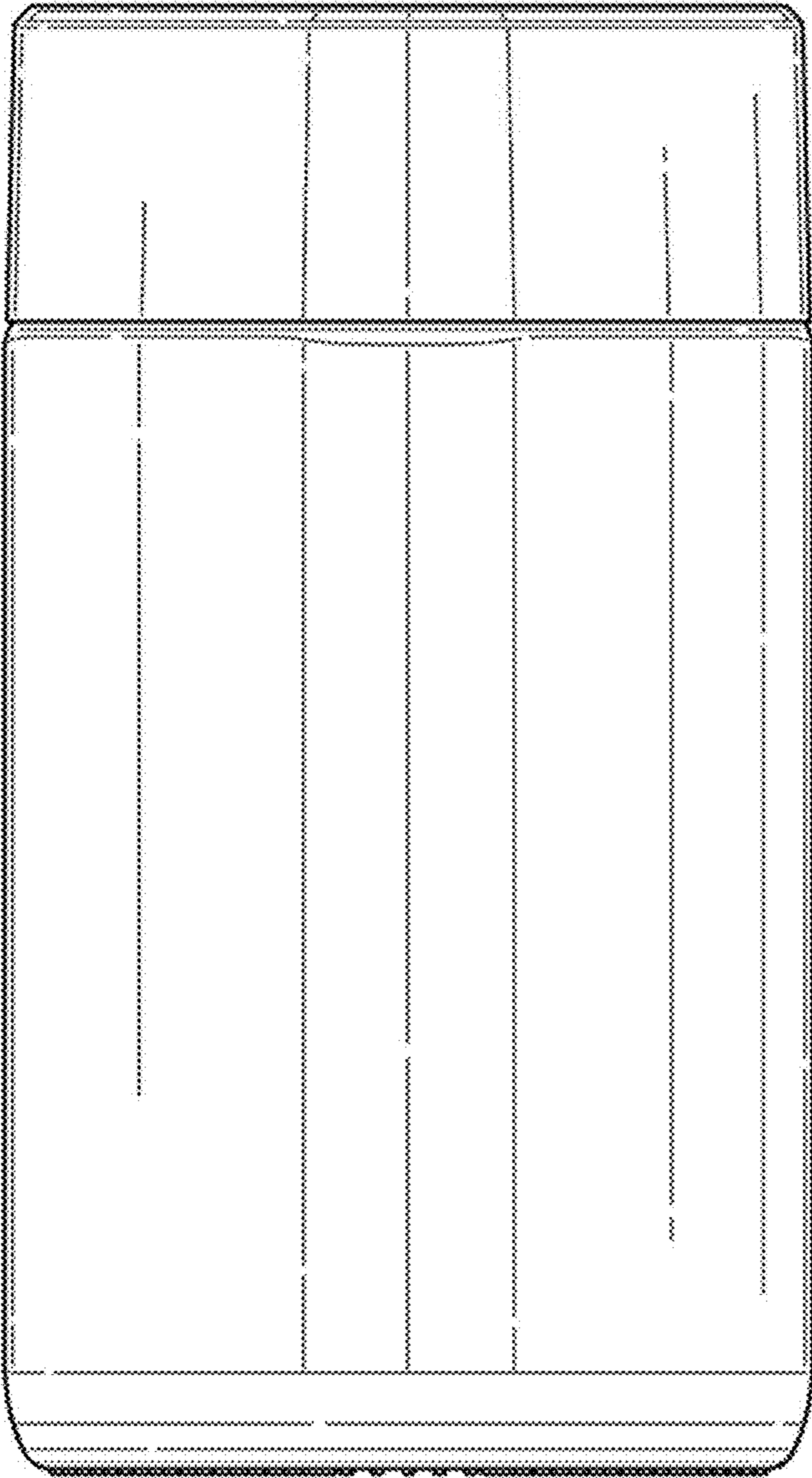


FIG. 2

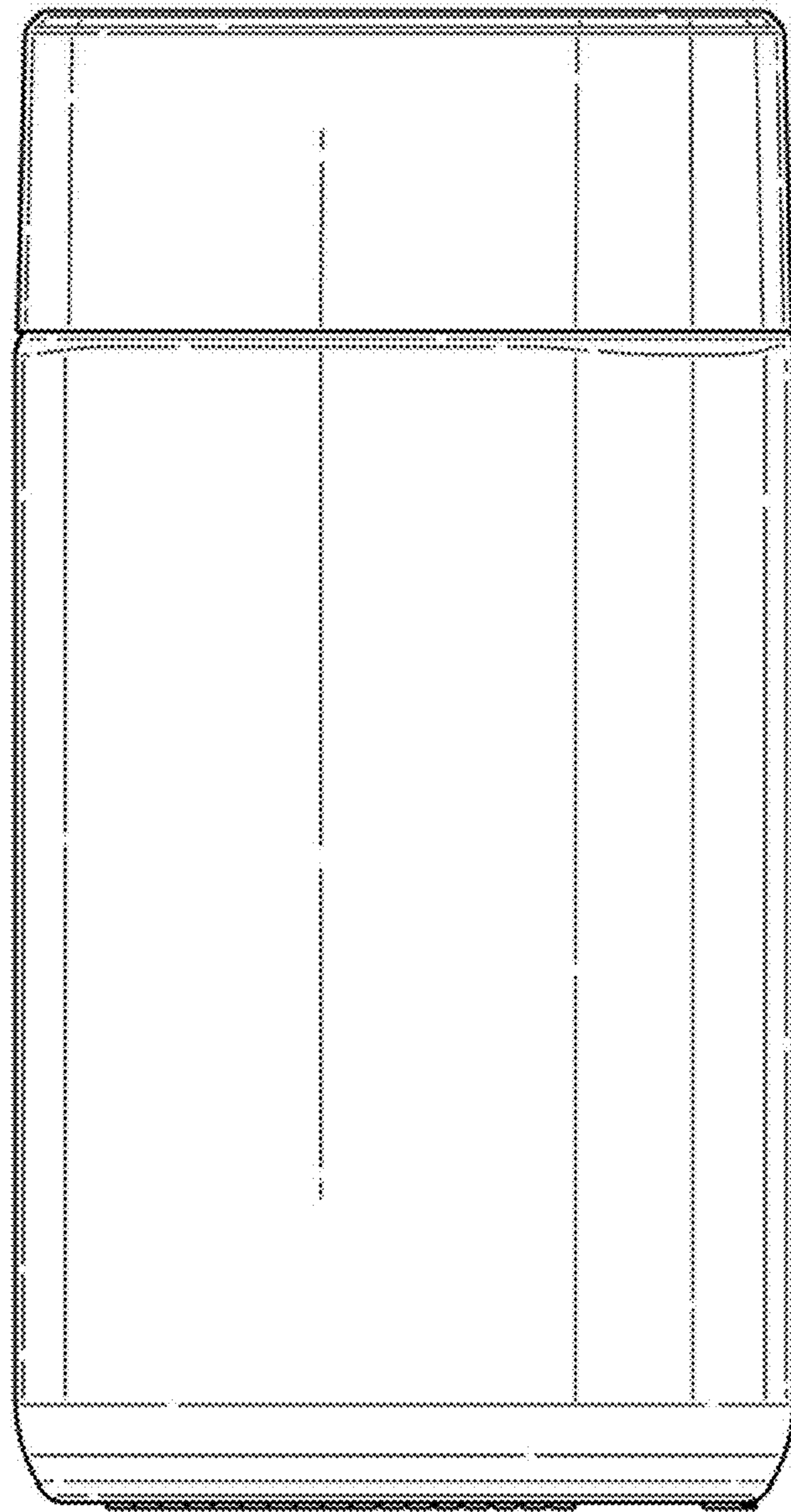


FIG. 3

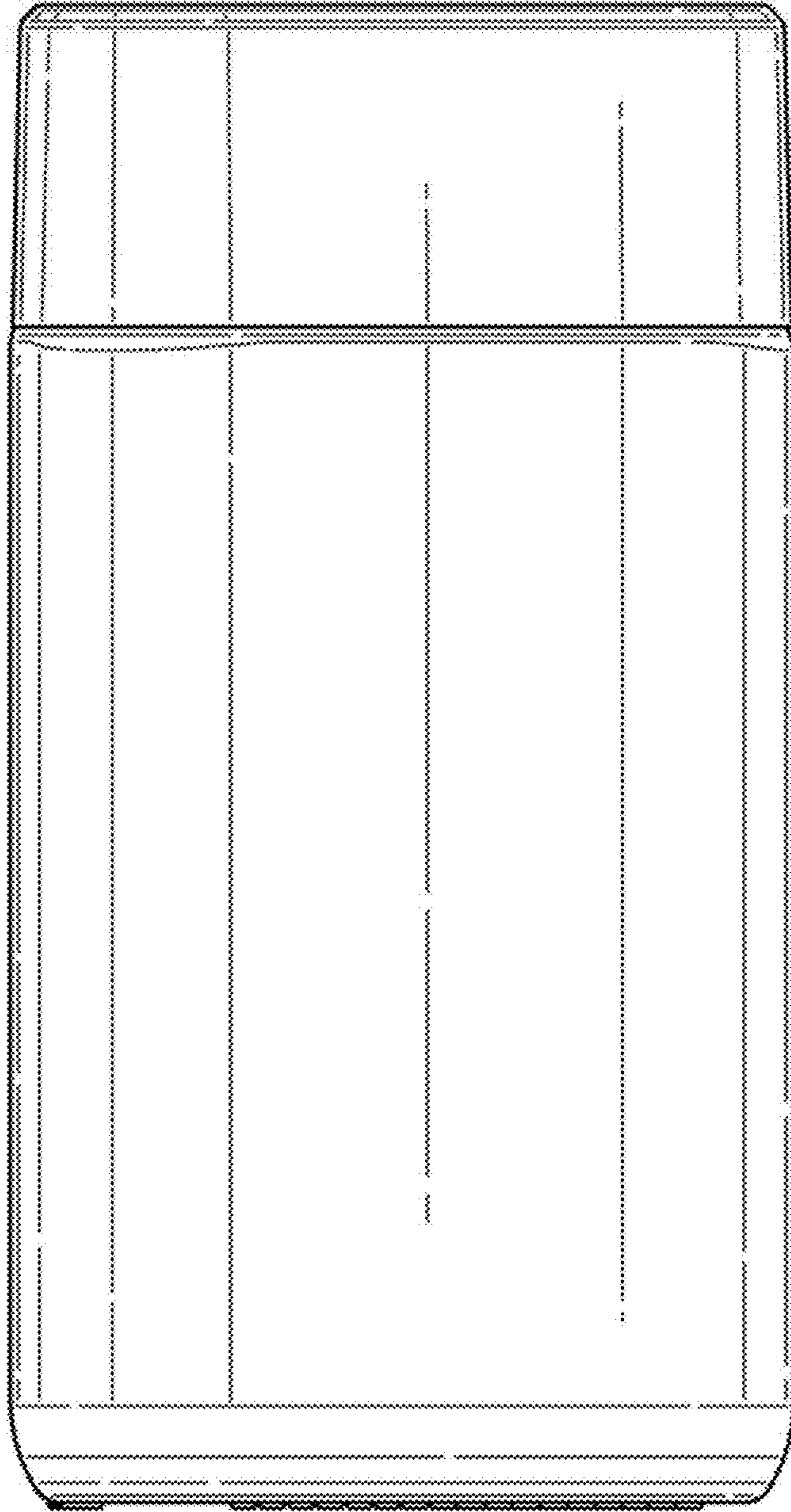


FIG. 4

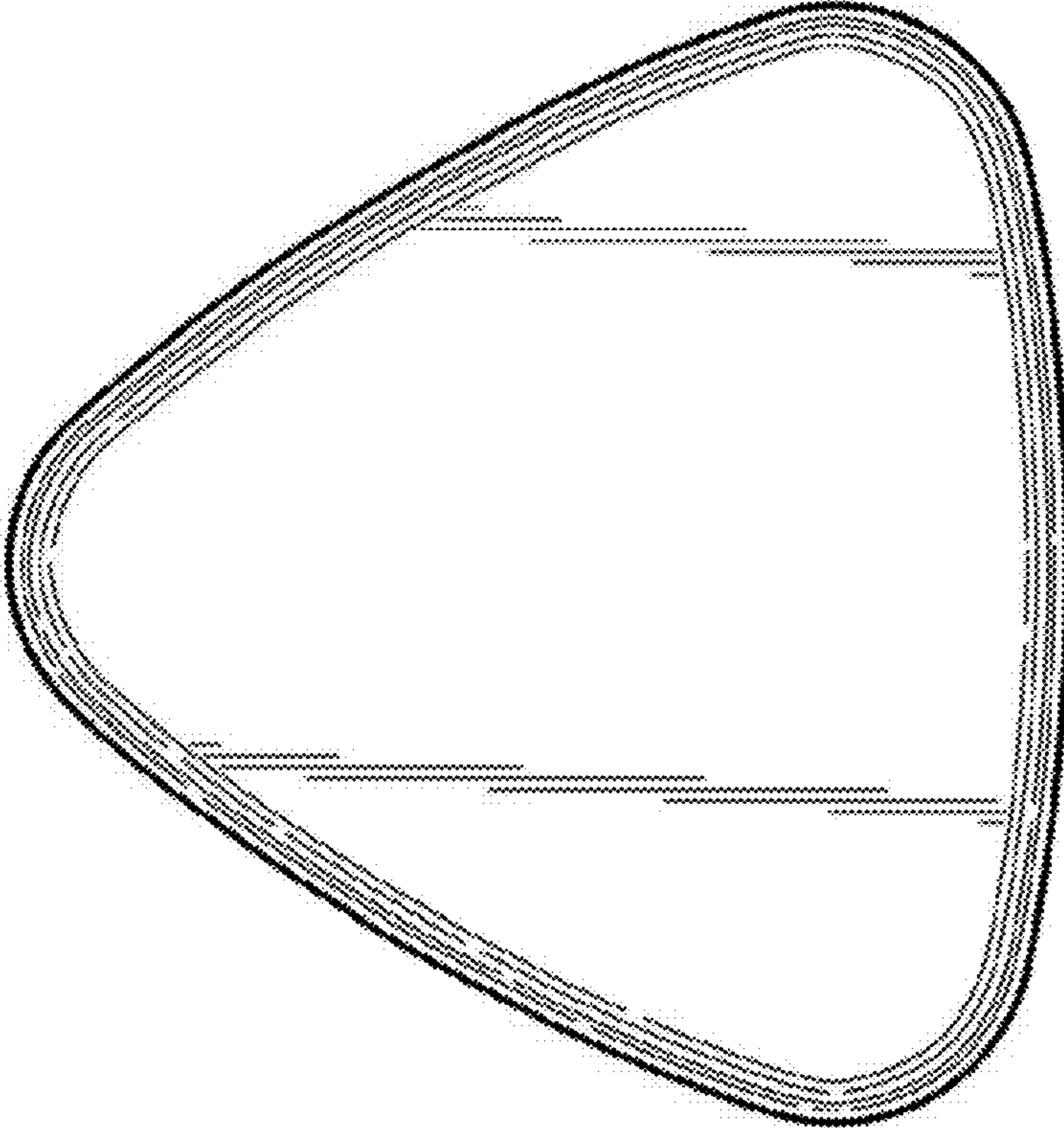


FIG. 5

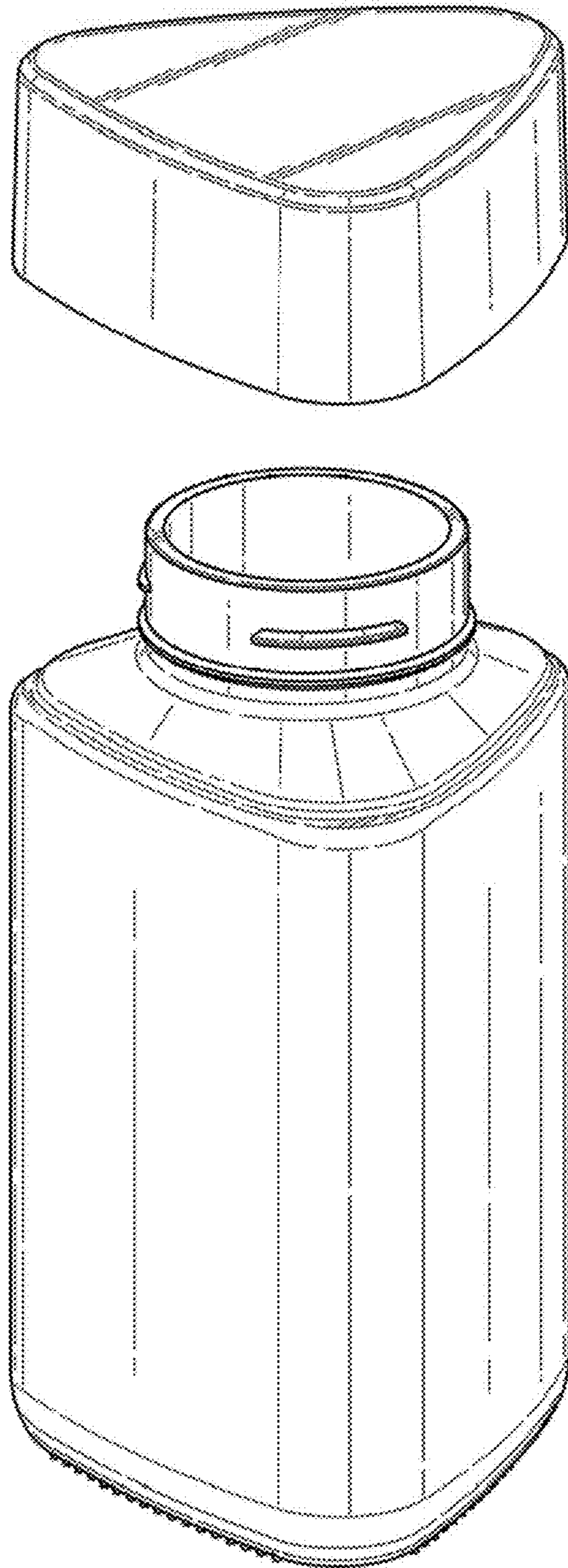


FIG. 6

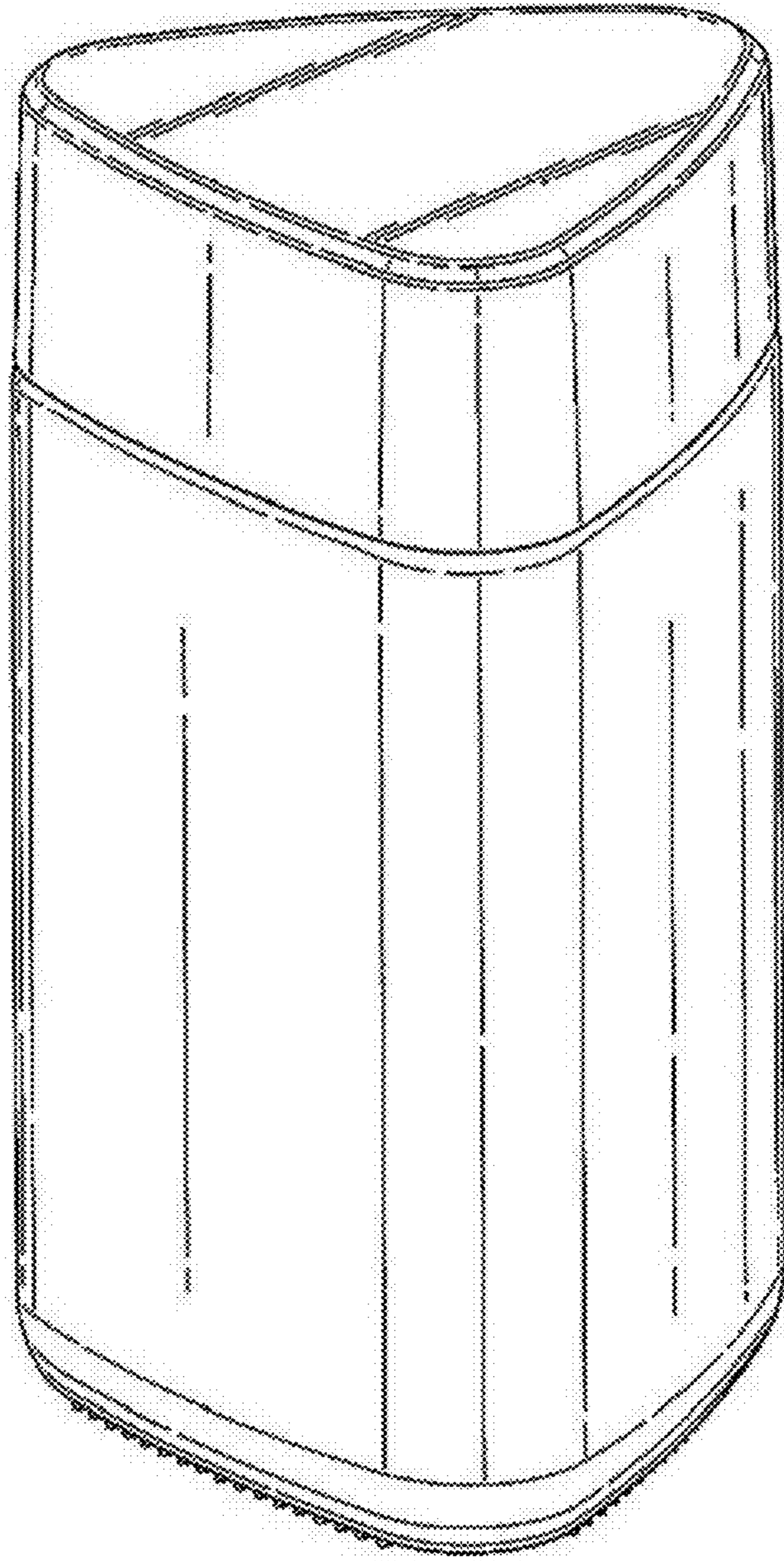


FIG. 7