

US00D695617S

(12) **United States Design Patent**
Becker et al.

(10) **Patent No.:** **US D695,617 S**
(45) **Date of Patent:** **** Dec. 17, 2013**

(54) **FLASK**

(75) Inventors: **Daniela Becker**, Itaim Bibi-SP (BR);
Fabio Rossi, Sao Paulo SP (BR); **Maria**
Filomena Padron Miozzo,
Campinas-SP (BR)

(73) Assignee: **Natura Cosméticos S.A.**, Itapeverica da
Serra, SP (BR)

(**) Term: **14 Years**

(21) Appl. No.: **29/409,404**

(22) Filed: **Dec. 22, 2011**

(51) **LOC (9) Cl.** **09-01**

(52) **U.S. Cl.**
USPC **D9/504**

(58) **Field of Classification Search**
USPC D9/435, 444–445, 447–448, 454, 500,
D9/502–505, 516, 537, 539, 544–545, 549,
D9/558; 215/379, 381–382; 220/660,
220/669–673, 675

See application file for complete search history.

(56) **References Cited**

U.S. PATENT DOCUMENTS

D183,939 S *	11/1958	Loewy	D9/739
3,118,573 A	1/1964	Krogisdale		
3,143,250 A *	8/1964	Pengue	222/182
3,337,901 A	8/1967	Schefer et al.		
D208,885 S	10/1967	Roehrich		
D215,083 S *	9/1969	Carter	D4/116
D221,794 S *	9/1971	Appel et al.	D7/597
D241,011 S *	8/1976	Petengill	D9/500
4,189,245 A *	2/1980	Bennett	401/126
D291,523 S *	8/1987	Minuti	D7/300.1
D337,526 S	7/1993	Teo		
D362,187 S *	9/1995	Thompson	D9/500
D379,585 S	6/1997	Wright		
D403,469 S	12/1998	Driscoll		
D415,319 S *	10/1999	Bakic	D28/76

D423,360 S	4/2000	Hirato et al.		
D425,785 S *	5/2000	Hirato et al.	D9/689
D436,864 S	1/2001	Slater		
D437,528 S *	2/2001	Kitamura et al.	D7/608
D442,633 S	5/2001	Kalczynski		
6,253,942 B1	7/2001	Elias		
D449,517 S *	10/2001	Vignon	D9/504
D449,532 S *	10/2001	Modjeski	D9/500
D449,777 S *	10/2001	Vignon	D9/504
D450,808 S	11/2001	Gottwald		
D456,258 S	4/2002	Chin		
D477,535 S *	7/2003	Thorpe	D9/504
D484,039 S	12/2003	Dretzka		
D497,795 S *	11/2004	Fling et al.	D9/692
D514,939 S	2/2006	Miozzo et al.		
D519,376 S *	4/2006	Ames	D9/504
D538,163 S *	3/2007	de Mourgues	D9/505

(Continued)

OTHER PUBLICATIONS

Design U.S. Appl. No. 29/383,683, filed Jan. 20, 2011; In re: Becker,
entitled *Flask and Cap*.

Primary Examiner — Ian Simmons

Assistant Examiner — Dana L Meyrow

(74) *Attorney, Agent, or Firm* — Alston & Bird LLP

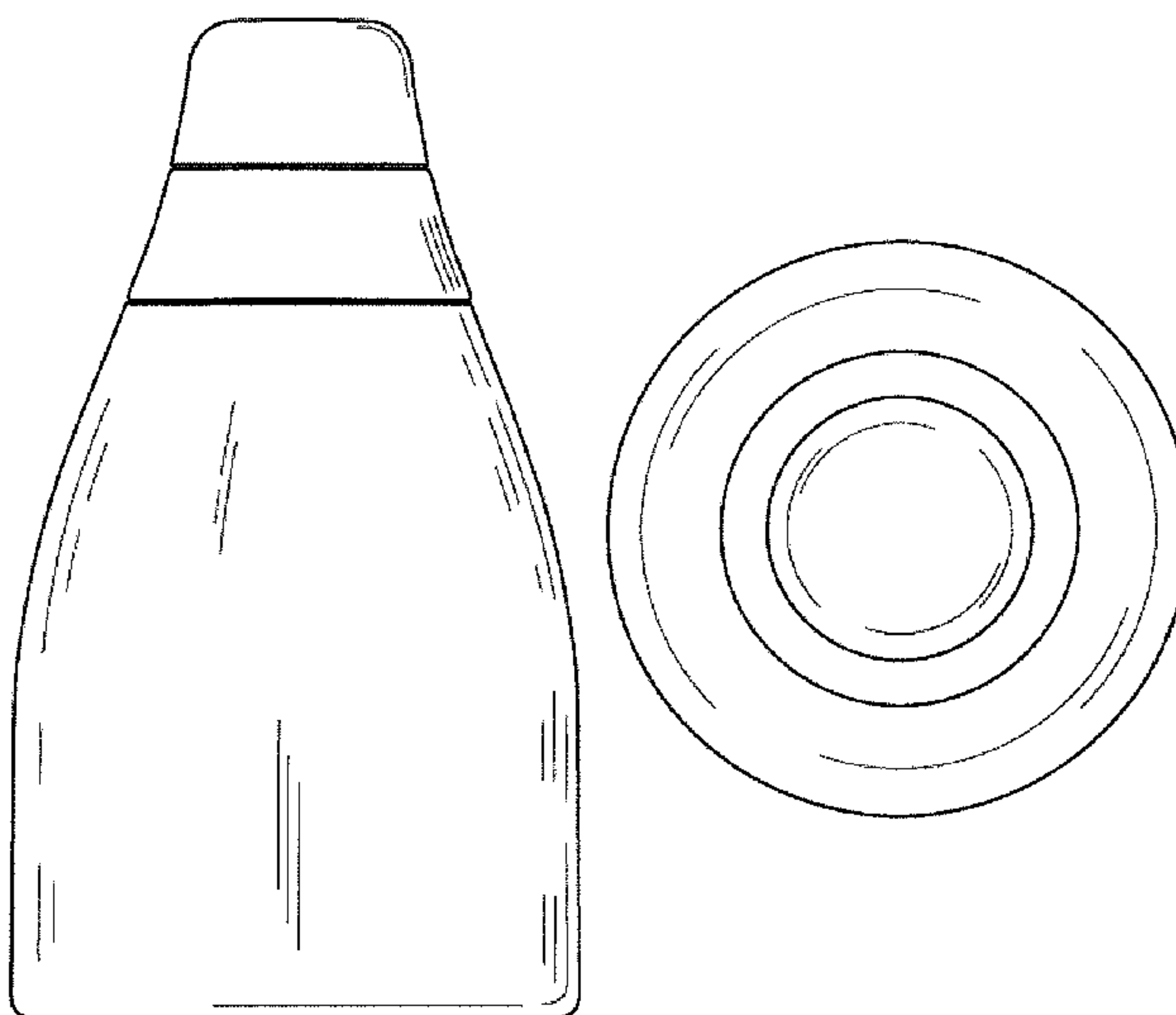
(57) **CLAIM**

We claim the ornamental design for a flask, as shown and
described.

DESCRIPTION

FIG. 1 is a perspective view of a flask showing our new
design;
FIG. 2 is a front elevation view thereof;
FIG. 3 is a top plan view thereof; and,
FIG. 4 is a bottom plan view thereof.
The broken lines in the drawings showing the bottom surface
of the flask illustrate the portions of the design that form no
part of the claim.

1 Claim, 1 Drawing Sheet



(56)

References Cited

U.S. PATENT DOCUMENTS

D584,946 S *	1/2009	Rica	D9/500	D616,748 S	6/2010	Nakamura et al.	
D596,942 S	7/2009	Britto		D638,308 S *	5/2011	Ashiwa et al.	D9/723
D613,601 S	4/2010	Yoneda		D669,362 S *	10/2012	Lam	D9/680
D616,304 S *	5/2010	Prunier et al.	D9/504	D671,004 S *	11/2012	Kelly et al.	D9/500
				D674,146 S *	1/2013	Bae	D28/76
				D686,509 S *	7/2013	Ashiwa et al.	D9/723

* cited by examiner

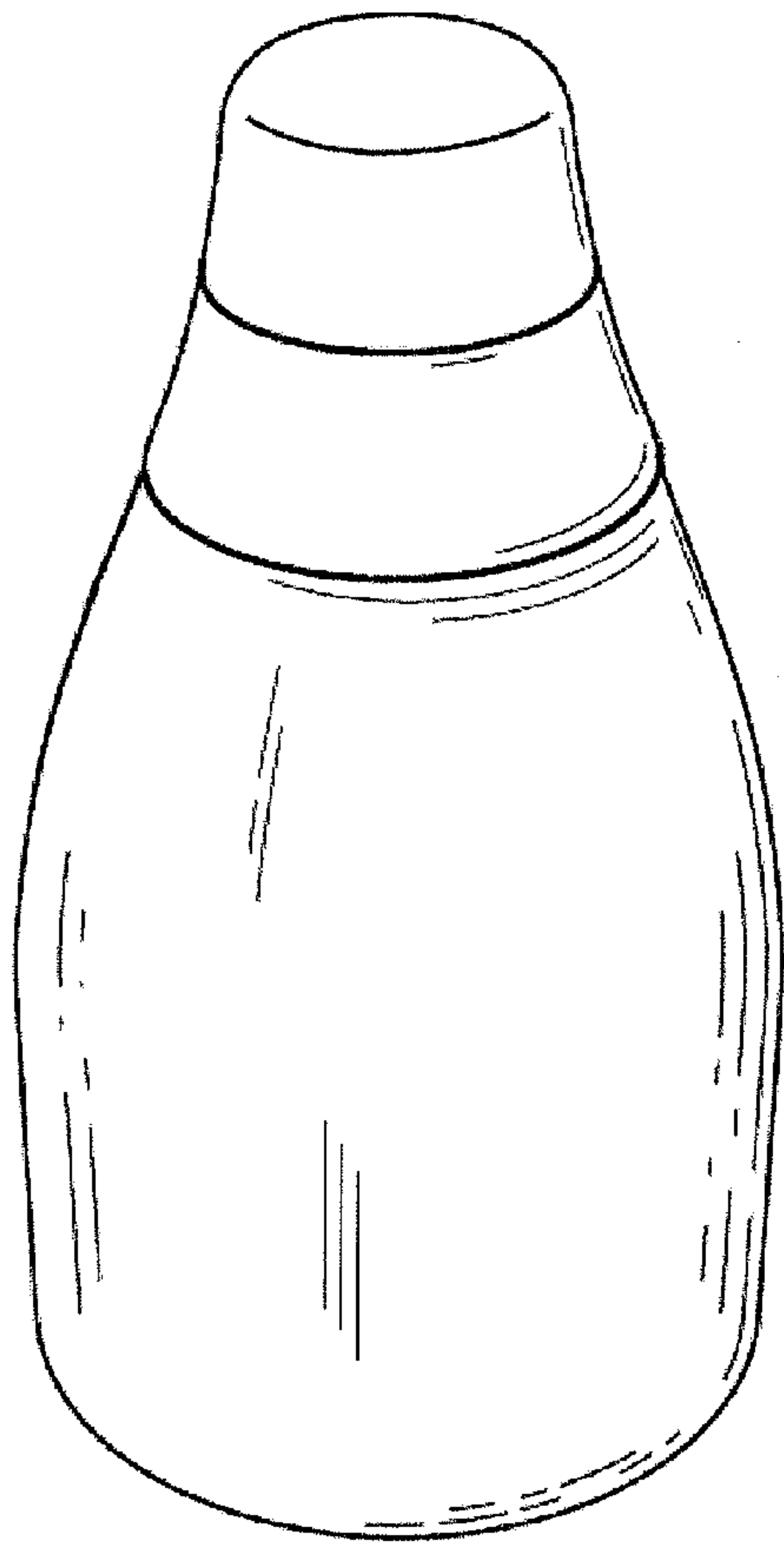


FIG. 1

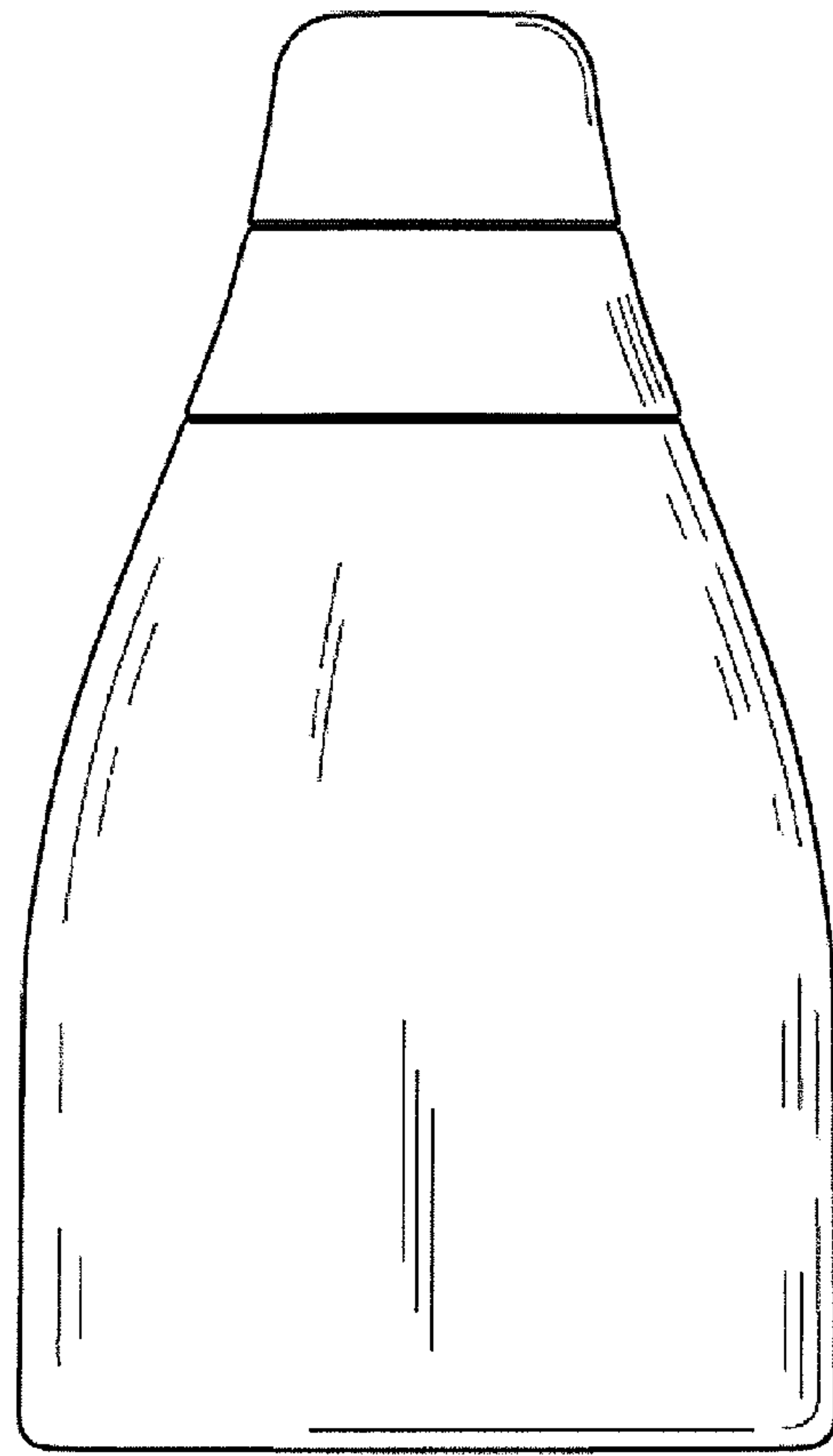


FIG. 2

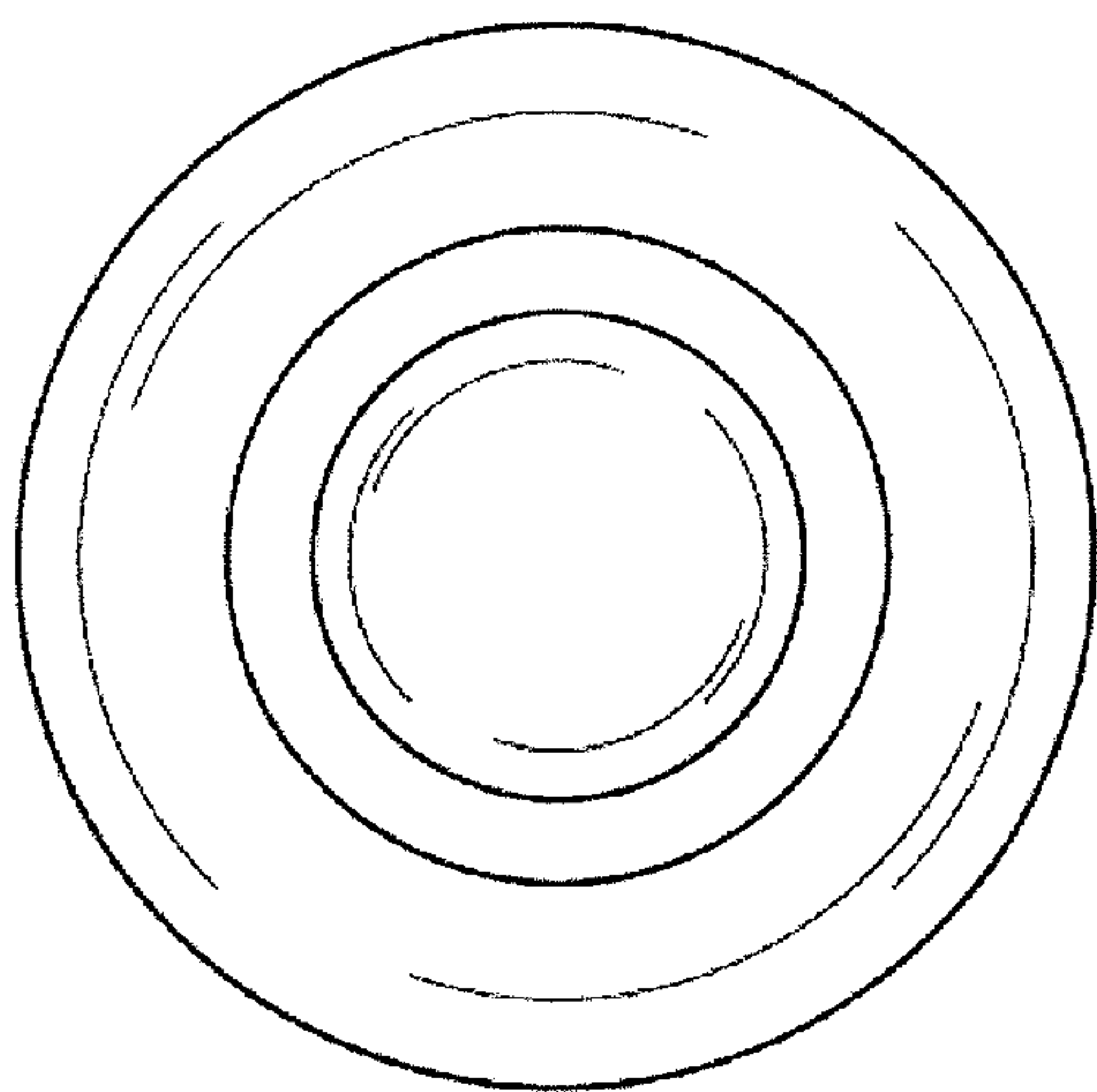


FIG. 3

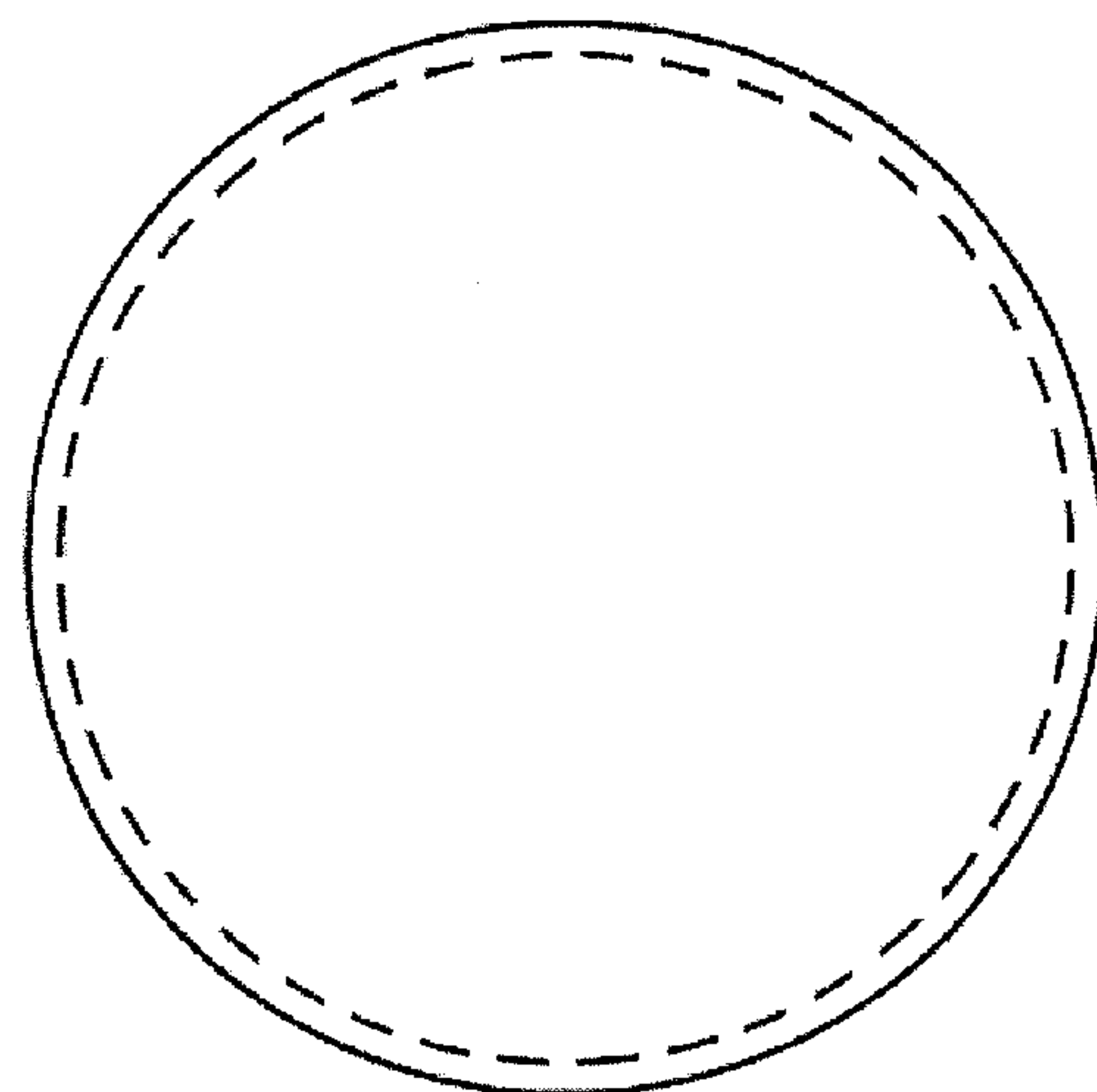


FIG. 4