



US00D695613S

(12) **United States Design Patent**
Miranda De Araujo et al.

(10) **Patent No.:** **US D695,613 S**

(45) **Date of Patent:** **** Dec. 17, 2013**

(54) **FITTED LID FOR CONTAINERS**

(75) Inventors: **Jefferson Luiz Miranda De Araujo**,
Rio de Janeiro (BR); **Claudio Patrick**
Vollers, Barra da tijuca (BR); **Leonardo**
Garcia Nogueira, Niteroi/Inga (BR)

(73) Assignee: **Vilma da Silva Araujo Baptista**, Rio de
Janeiro (BR)

(**) Term: **14 Years**

(21) Appl. No.: **29/406,940**

(22) Filed: **Nov. 21, 2011**

(30) **Foreign Application Priority Data**

May 26, 2011 (BR) DI7102728-9

(51) **LOC (9) Cl.** **09-07**

(52) **U.S. Cl.**
USPC **D9/449**; D9/454

(58) **Field of Classification Search**
USPC D9/454, 453, 449, 447, 446, 443, 440,
D9/439, 417; D7/396.2, 392.1; 222/556,
222/484; 220/837, 715, 259.2,
220/254.2-254.5; 215/306, 235, 236
See application file for complete search history.

(56) **References Cited**

U.S. PATENT DOCUMENTS

3,713,247	A	1/1973	Parrilla	
4,202,456	A	5/1980	Silber	
D322,753	S *	12/1991	Sussman	D9/504
5,361,919	A	11/1994	Hull et al.	
6,296,541	B1	10/2001	Bezalel et al.	
D476,893	S *	7/2003	Pinnavaia	D9/454
D484,644	S *	12/2003	Noh	D28/76
6,702,642	B1	3/2004	Parein	
D522,363	S *	6/2006	Hicks et al.	D9/449

D607,726	S *	1/2010	Wisniewski	D9/449
D609,568	S *	2/2010	Mazurkiewicz	D9/449
D640,556	S *	6/2011	Bragg et al.	D9/449
8,187,050	B1	5/2012	Sorensen	
D661,583	S *	6/2012	Santarelli et al.	D9/449
D663,202	S *	7/2012	Biesecker et al.	D9/449
D683,625	S	6/2013	Miranda De Araujo	
2006/0191933	A1 *	8/2006	Hicks et al.	220/254.3
2011/0139745	A1	6/2011	Ezra et al.	
2012/0021140	A1	1/2012	Dijksman et al.	

FOREIGN PATENT DOCUMENTS

BR	9802607	A	6/2005
BR	PI0802245	A2	9/2009
CN	2571697	Y	9/2003

(Continued)

OTHER PUBLICATIONS

Design U.S. Appl. No. 29/406,936, filed Nov. 21, 2011.

(Continued)

Primary Examiner — Susan Bennett Hattan

(74) *Attorney, Agent, or Firm* — Carter, DeLuca, Farrell & Schmidt, LLP

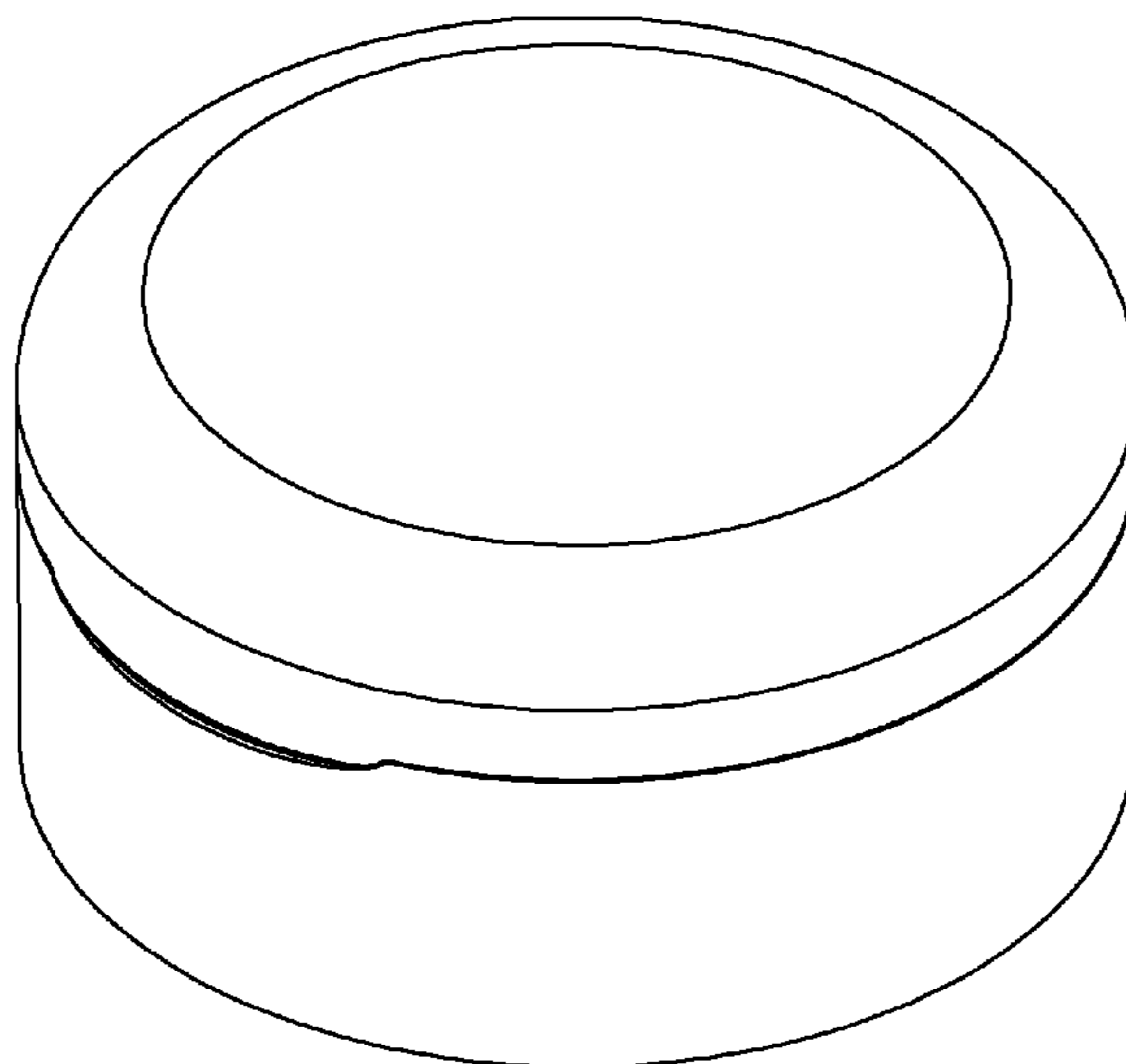
(57) **CLAIM**

We claim the ornamental design for a fitted lid for containers, as shown and described.

DESCRIPTION

FIG. 1 is a perspective view of a fitted lid for containers that is the subject of the present design; FIG. 2 is a side view of the fitted lid as shown in FIG. 1; FIG. 3 is a top view of the fitted lid as shown in FIG. 1; and, FIG. 4 is a bottom view of the fitted lid as shown in FIG. 1. The broken lines in the drawings depict environmental subject matter only and form no part of the claimed design.

1 Claim, 1 Drawing Sheet



(56)

References Cited

FOREIGN PATENT DOCUMENTS

CN	2706417	Y	6/2005
CN	202046587	U	11/2011
DE	8003690	U1	5/1980
GB	2410493	A	8/2005
IL	41948	A	1/1977
WO	9936332	A1	7/1999

WO	99/67151	A1	12/1999
WO	0055063	A1	9/2000
WO	0205918	A1	1/2002
WO	2011153598	A1	12/2011

OTHER PUBLICATIONS

Jefferson Luiz Miranda De Araujo, Design U.S. Appl. No. 29/406,946, filed Nov. 21, 2011.

* cited by examiner

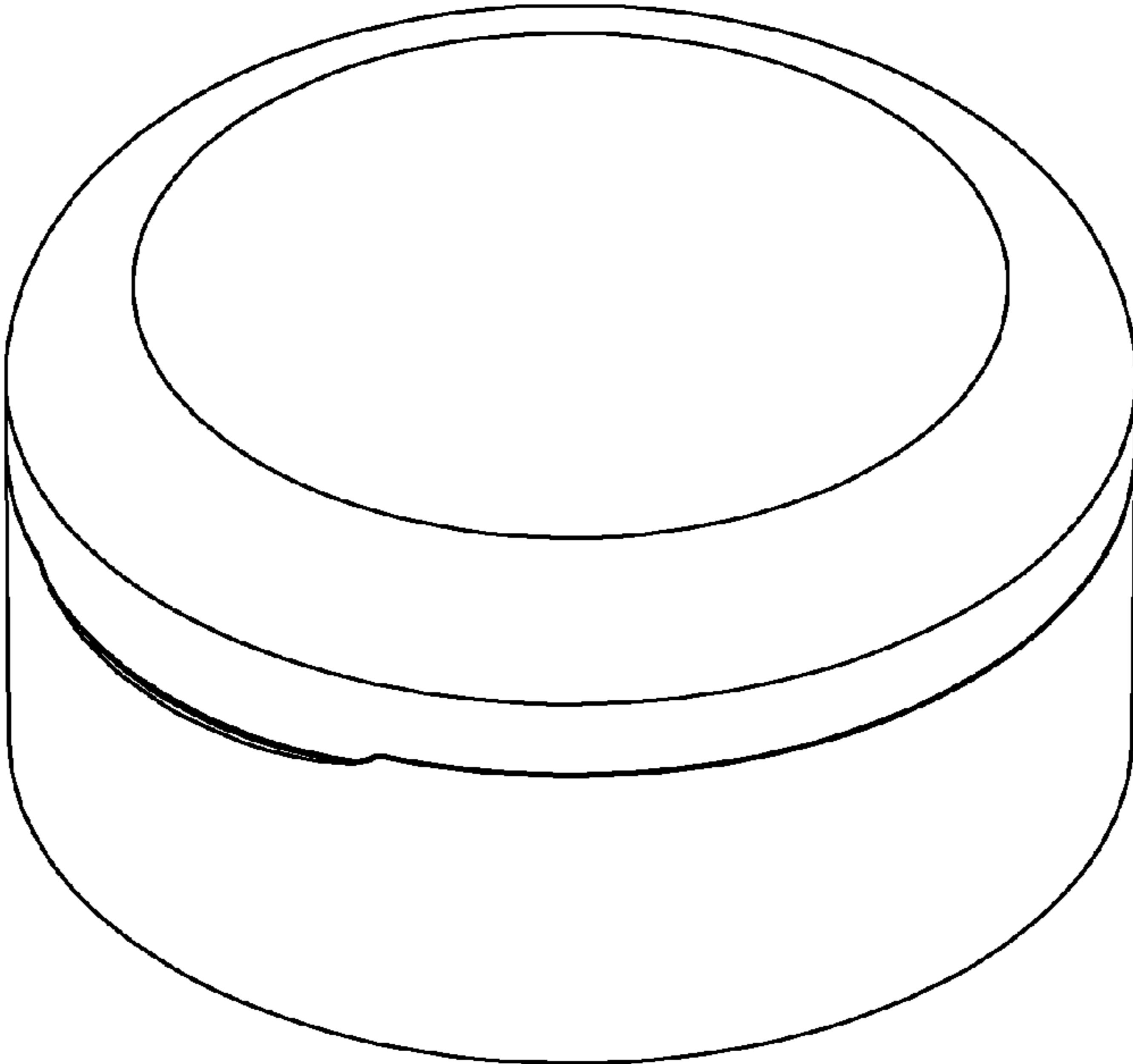


FIG.1

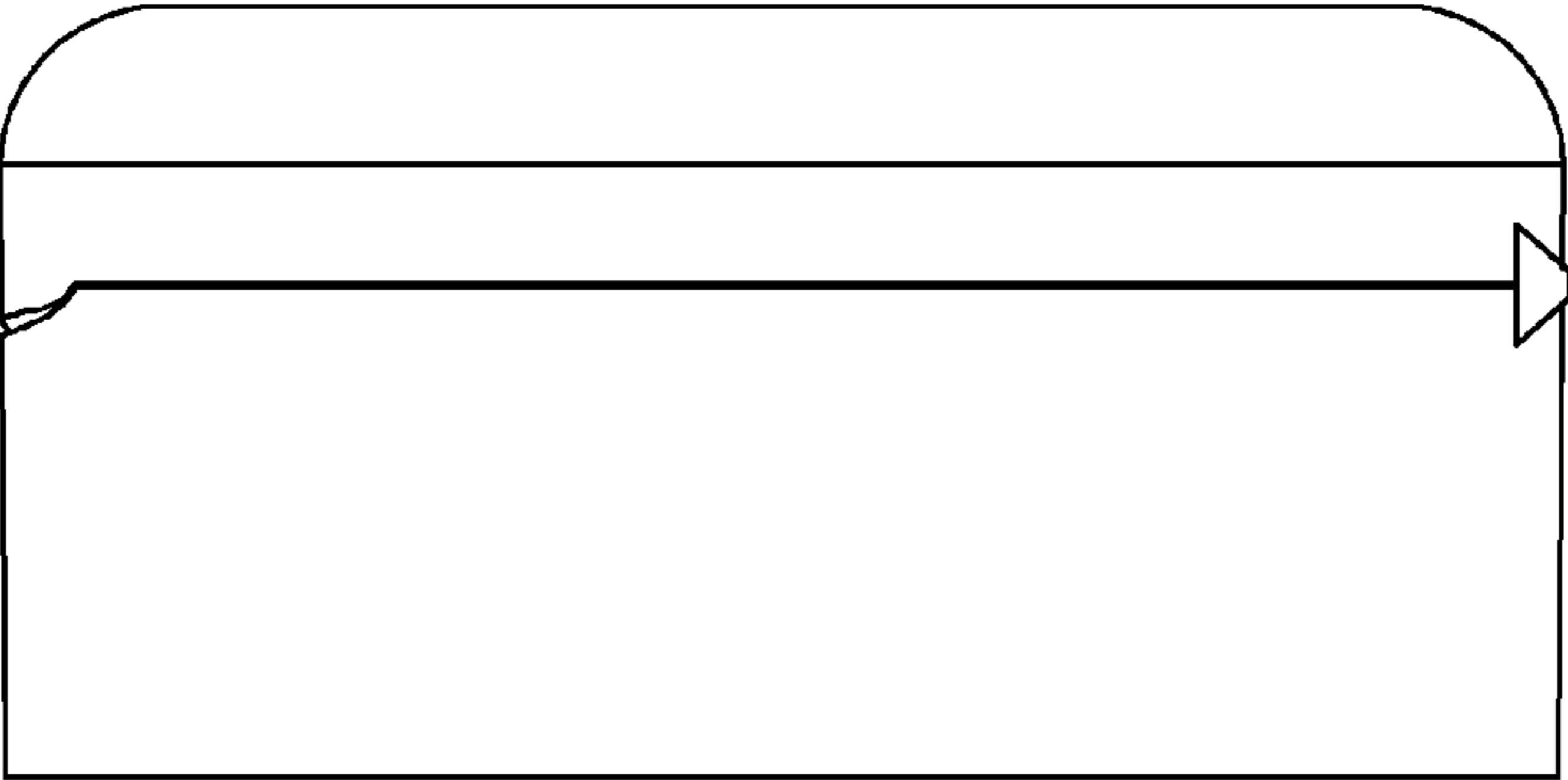


FIG.2

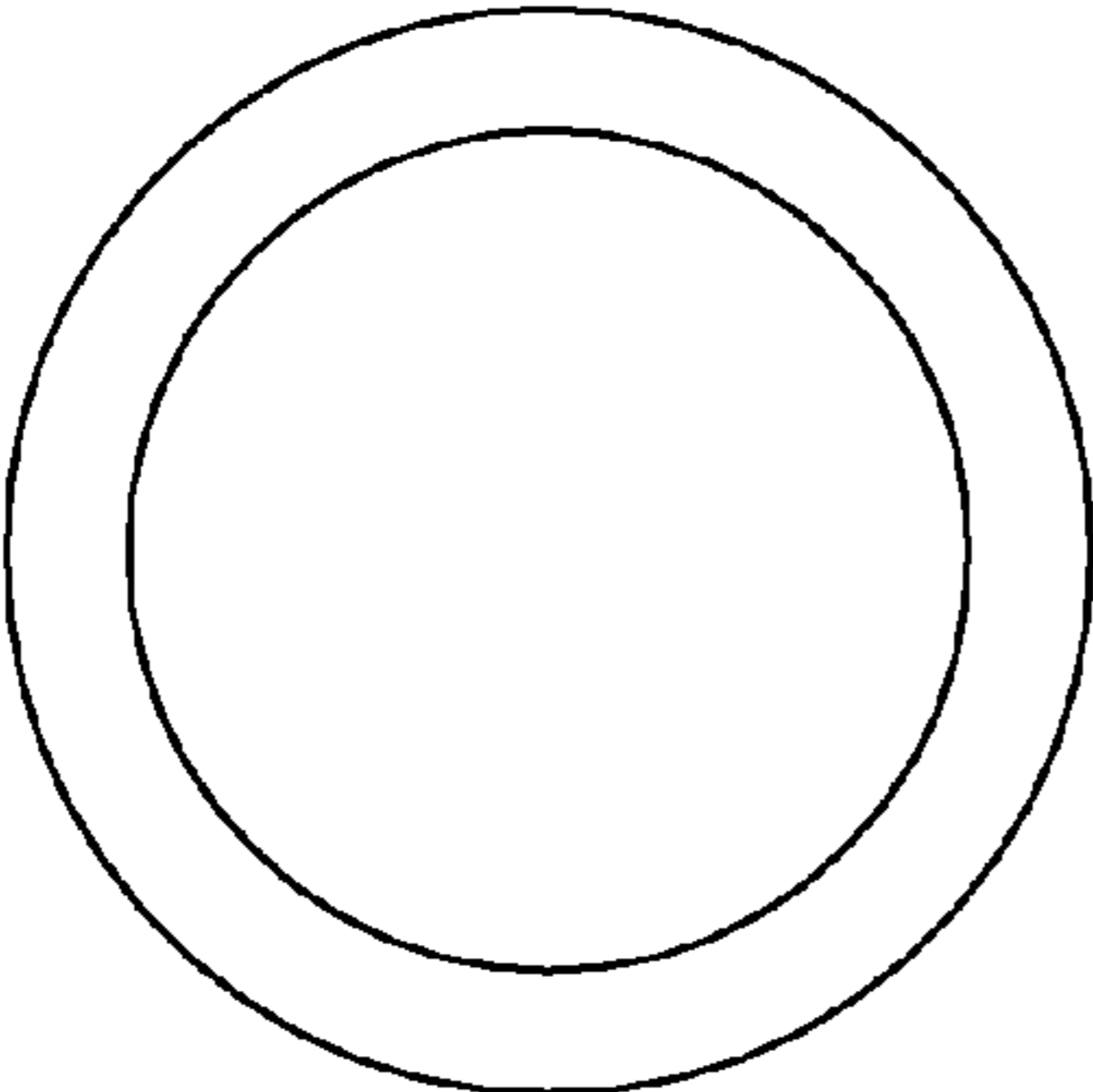


FIG.3

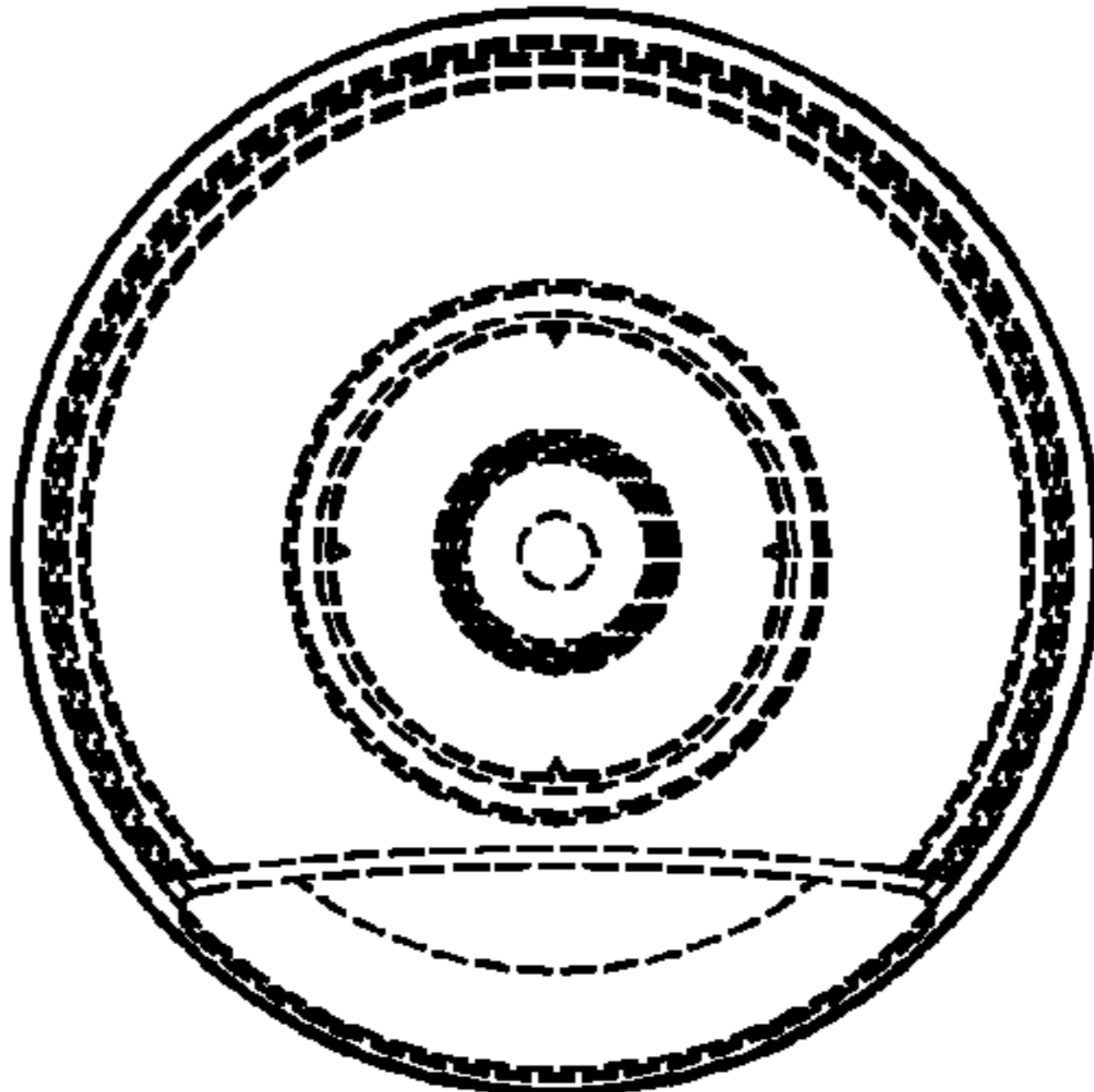


FIG.4