



US00D695611S

(12) **United States Design Patent**  
**Burleson, Jr. et al.**

(10) **Patent No.:** **US D695,611 S**  
(45) **Date of Patent:** **\*\* Dec. 17, 2013**

(54) **CAN END**

(71) Applicant: **Silgan Containers LLC**, Woodland Hills, CA (US)

(72) Inventors: **Lynn A. Burleson, Jr.**, Fort Dodge, IA (US); **John L. Phillips**, Monona, WI (US); **Donald M. Gust**, Oconomowoc, WI (US); **Rohm E. Bloedorn**, Delafield, WI (US)

(73) Assignee: **Silgan Containers LLC**, Woodland Hills, CA (US)

(\*\*) Term: **14 Years**

(21) Appl. No.: **29/455,852**

(22) Filed: **May 24, 2013**

**Related U.S. Application Data**

(63) Continuation of application No. 29/398,281, filed on Jul. 28, 2011, now Pat. No. Des. 685,266, which is a continuation-in-part of application No. 29/377,154, filed on Oct. 18, 2010, now Pat. No. Des. 653,109.

(51) **LOC (9) Cl.** ..... **09-07**

(52) **U.S. Cl.**  
USPC ..... **D9/436; D9/435; D9/454**

(58) **Field of Classification Search**  
USPC ..... D9/780, 772, 767, 763, 454, 438, 434, D9/428, 425; 220/273, 270, 256.1, 254.1, 220/906, 367.1, 366.1, 276, 272, 271, 265; 229/406, 123.2

See application file for complete search history.

(56) **References Cited**

U.S. PATENT DOCUMENTS

D219,370 S 12/1970 Saunders  
D226,073 S 1/1973 Wesphal

(Continued)

OTHER PUBLICATIONS

U.S. Appl. No. 29/398,281, filed Jul. 28, 2011, Burleson Jr. et al.

*Primary Examiner* — Susan Bennett Hattan

(74) *Attorney, Agent, or Firm* — Reinhart Boerner Van Deuren s.c.

(57) **CLAIM**

We claim the ornamental design for a can end, as shown and described.

**DESCRIPTION**

FIG. 1 is a perspective view of an embodiment of the claimed design;

FIG. 2 is a front view of the claimed design of FIG. 1, the rear view, the left side view and the right side view being the same as the front view;

FIG. 3 is a top view of the claimed design of FIG. 1;

FIG. 4 is a bottom view of the claimed design of FIG. 1;

FIG. 5 is a sectional view taken along section line 5-5 in FIG. 3;

FIG. 6 is a perspective view of another embodiment of the claimed design;

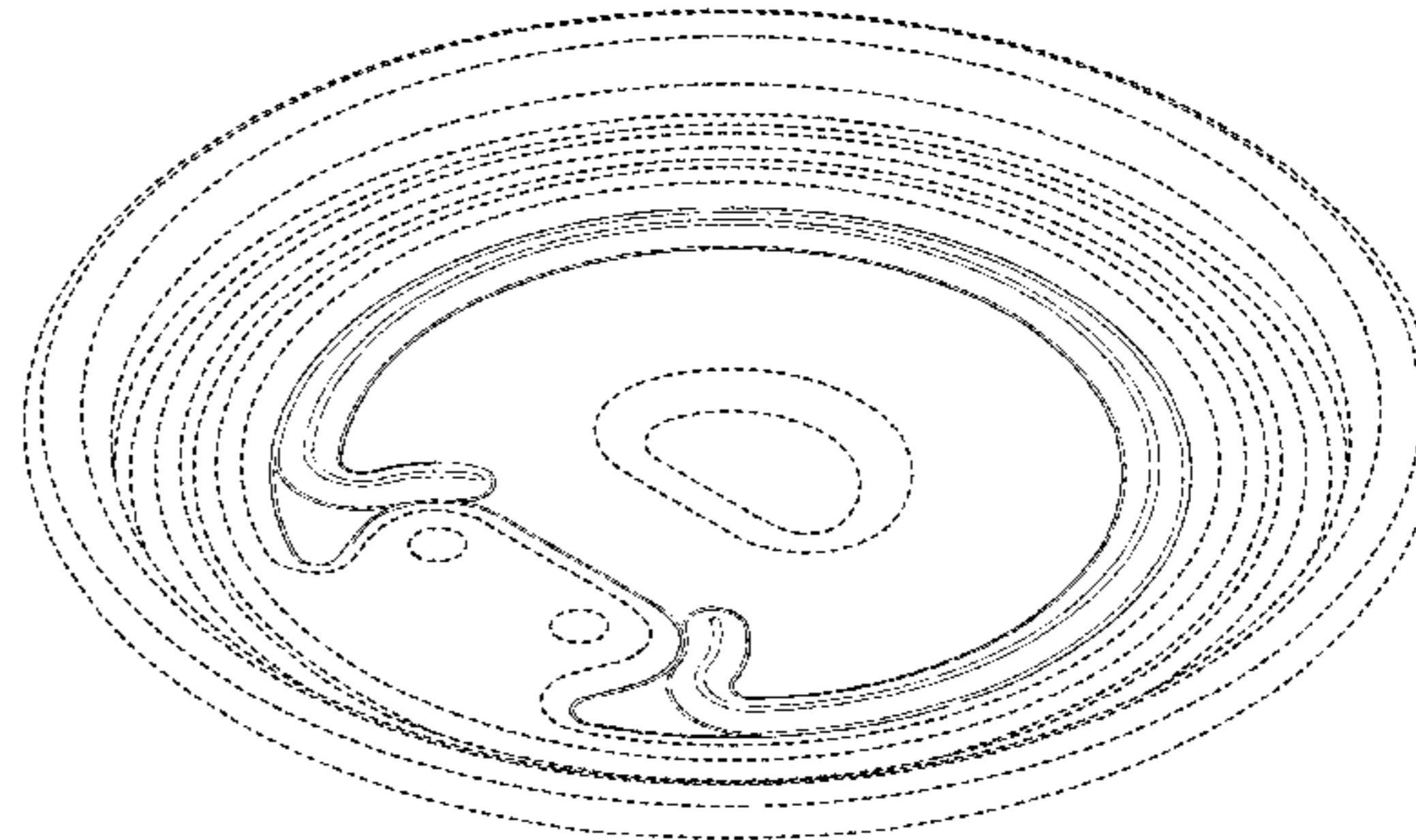
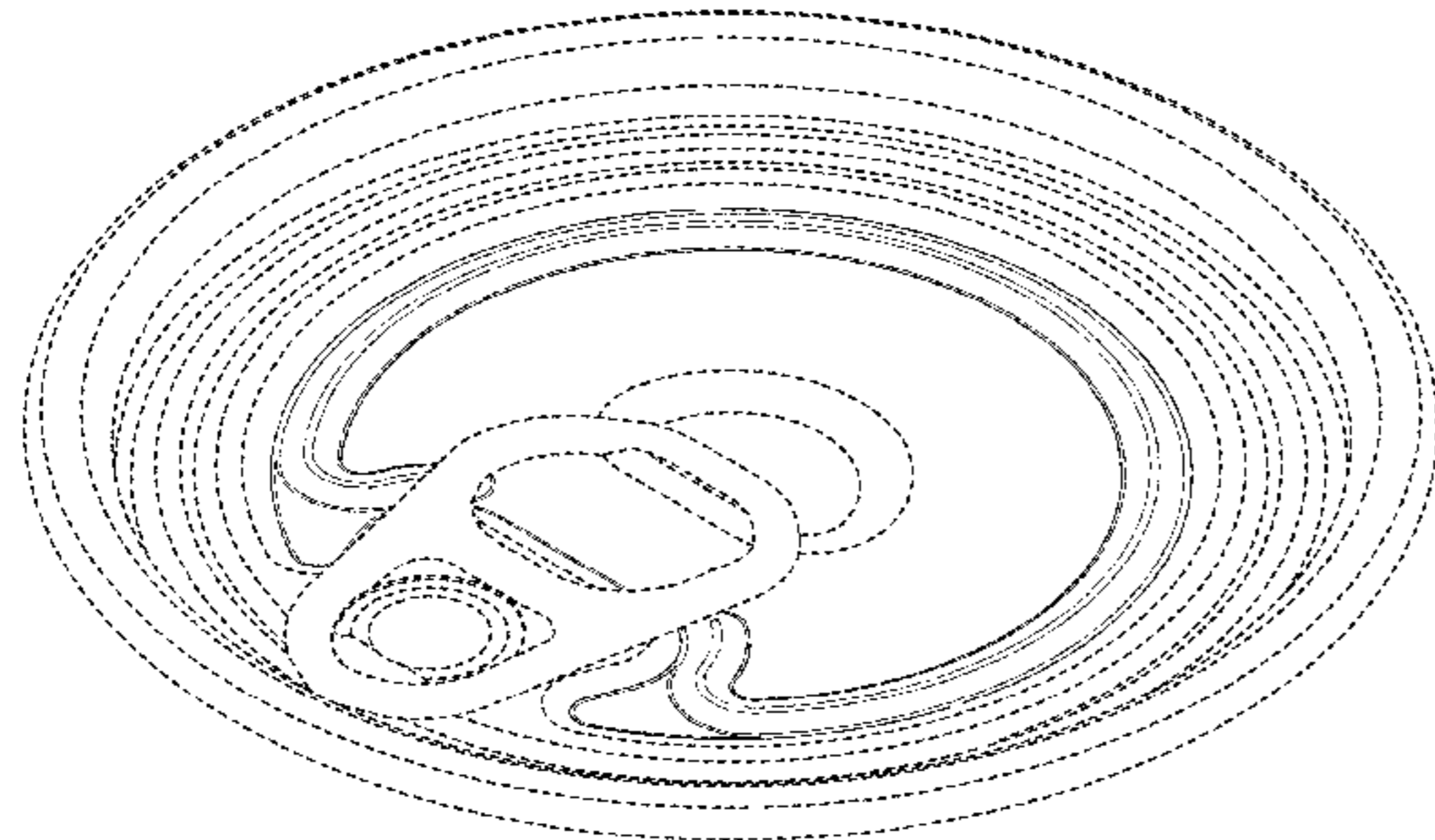
FIG. 7 is a front view of the claimed design of FIG. 6, the rear view, the left side view and the right side view being the same as the front view;

FIG. 8 is a top view of the claimed design of FIG. 6;

FIG. 9 is a bottom view of the claimed design of FIG. 6; and, FIG. 10 is a sectional view taken along section line 10-10 in FIG. 8.

The ornamental design which is claimed is shown in solid lines in the drawings. The broken lines in the drawings are for illustrative purposes only and form no part of the claimed design.

**1 Claim, 6 Drawing Sheets**



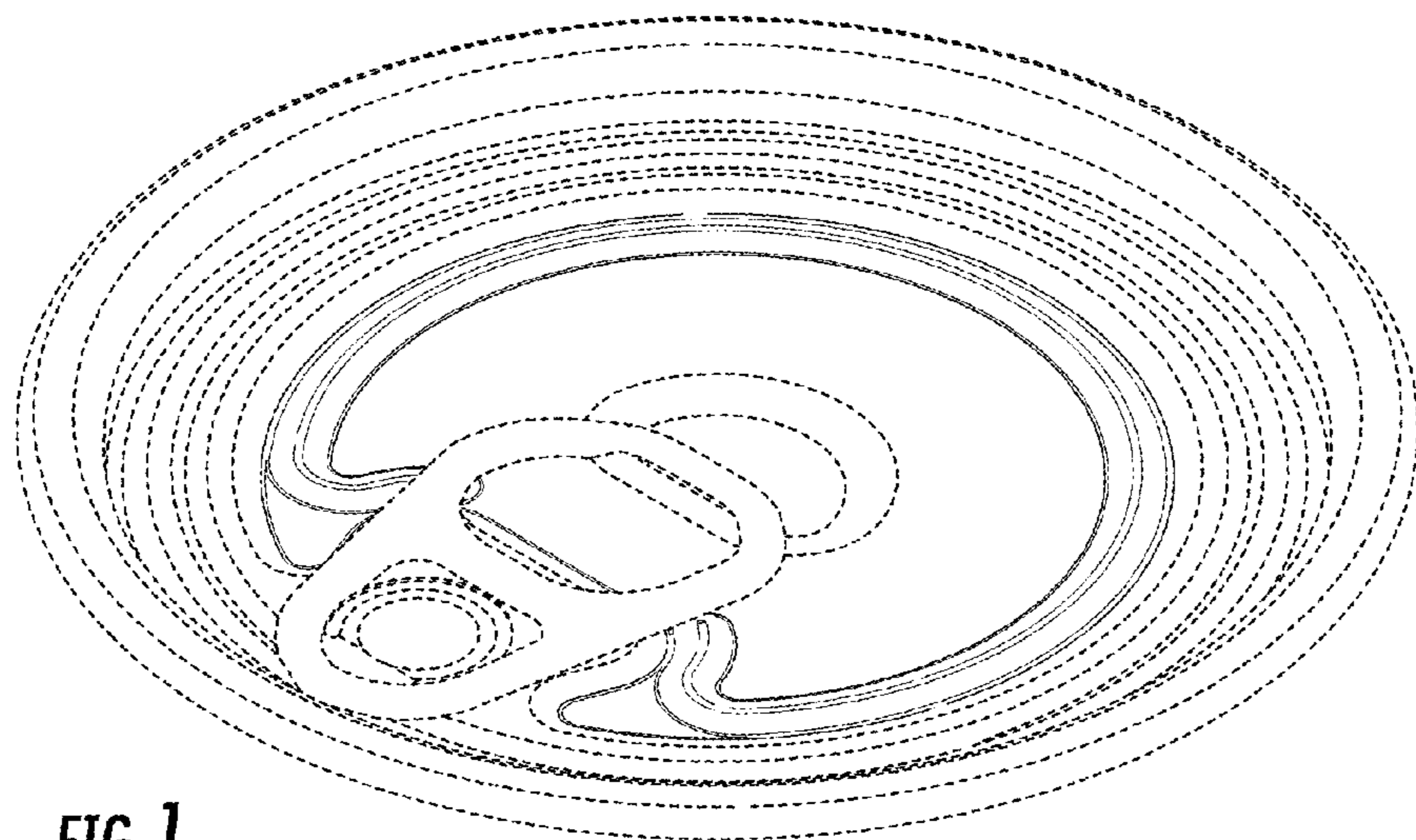
(56)

References Cited

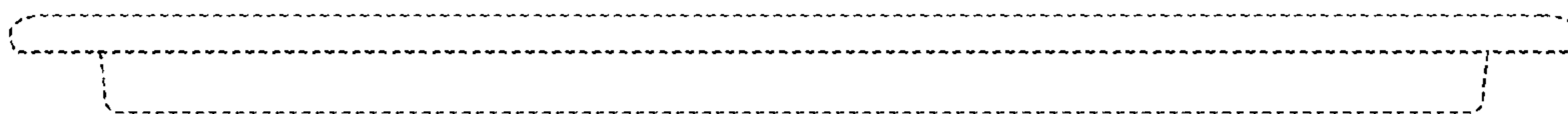
U.S. PATENT DOCUMENTS

4,434,641	A	3/1984	Nguyen	7,302,822	B1	12/2007	Turnbull et al.
4,577,774	A	3/1986	Nguyen	7,305,861	B2	12/2007	Turner et al.
4,808,052	A	2/1989	Bulso, Jr. et al.	D565,406	S	4/2008	Foskett
4,865,506	A	9/1989	Kaminski	D568,741	S	5/2008	Foskett
RE33,217	E	5/1990	Nguyen	7,370,774	B2	5/2008	Watson et al.
4,930,658	A	6/1990	McEldowney	7,434,433	B2	10/2008	Holmes
4,955,223	A	9/1990	Stodd et al.	7,472,575	B2	1/2009	Butcher et al.
4,977,772	A	12/1990	Bulso, Jr. et al.	7,478,550	B2	1/2009	Wynn et al.
4,994,009	A	2/1991	McEldowney	7,493,790	B2	2/2009	Heinicke
5,038,956	A	8/1991	Saunders	7,500,376	B2	3/2009	Bathurst et al.
5,042,284	A	8/1991	Stodd et al.	7,506,779	B2	3/2009	Jentzsch et al.
5,149,238	A	9/1992	McEldowney et al.	7,552,612	B2	6/2009	Heinicke
D337,521	S	7/1993	McNulty	D597,839	S	8/2009	Stuart
5,331,836	A	7/1994	Cudzik	D600,117	S	9/2009	Hall
D352,898	S	11/1994	Vacher	D600,118	S	9/2009	Brehelin
5,671,860	A	9/1997	Louwerse et al.	7,591,392	B2	9/2009	Watson et al.
5,685,189	A	11/1997	Nguyen et al.	7,614,520	B2	11/2009	McEldowney et al.
5,971,259	A	10/1999	Bacon	7,677,404	B2	3/2010	McEldowney et al.
6,004,089	A	12/1999	Legresy et al.	7,743,635	B2	6/2010	Jentzsch et al.
D421,907	S	3/2000	Benge et al.	7,770,430	B2	8/2010	Miceli et al.
6,065,634	A	5/2000	Brifcani et al.	7,819,275	B2	10/2010	Stodd et al.
6,079,249	A	6/2000	Turner et al.	D634,193	S	3/2011	Draxler
6,089,072	A	7/2000	Fields	7,922,025	B2	4/2011	Heinicke
6,102,243	A	8/2000	Fields et al.	7,938,290	B2	5/2011	Bulso
6,460,723	B2	10/2002	Nguyen et al.	7,942,030	B2	5/2011	Miceli et al.
6,575,684	B2	6/2003	Heinicke et al.	RE42,485	E *	6/2011	Fields ..... D9/438
6,666,933	B2	12/2003	Roberts et al.	D650,276	S *	12/2011	Nesling et al. .... D9/438
6,688,832	B1	2/2004	Zysset	D650,278	S *	12/2011	Nesling et al. .... D9/438
6,702,538	B1	3/2004	Heinicke et al.	D653,109	S	1/2012	Stammen
6,848,875	B2	2/2005	Brifcani et al.	2001/0037668	A1	11/2001	Fields
6,877,941	B2	4/2005	Brifcani et al.	2005/0082291	A1	4/2005	Emmerzaal et al.
6,935,826	B2	8/2005	Brifcani et al.	2007/0215620	A1	9/2007	Kasper
D520,358	S	5/2006	Heinicke	2009/0020543	A1	1/2009	Bulso
7,036,348	B2	5/2006	McClung	2010/0059530	A1	3/2010	Niec et al.
7,107,810	B2	9/2006	McClung	2010/0108679	A1	5/2010	Leboucher
7,107,928	B2	9/2006	Chasteen et al.	2010/0116374	A1	5/2010	Wilson et al.
7,124,613	B1	10/2006	McClung	2010/0126994	A1	5/2010	Tielbeke et al.
7,143,623	B1	12/2006	Turnbull et al.	2010/0163560	A1	7/2010	Leboucher
7,147,122	B2	12/2006	Heinicke	2010/0243663	A1	9/2010	Jentzsch et al.
7,240,531	B2	7/2007	Turnbull et al.	2010/0287886	A1	11/2010	Saucedo et al.
7,270,246	B2	9/2007	Butcher et al.	2011/0006065	A1	1/2011	Leboucher et al.
				2012/0263835	A1	10/2012	Burleson, Jr. et al.
				2013/0026169	A1	1/2013	Burleson, Jr. et al.

\* cited by examiner



**FIG. 1**



**FIG. 2**



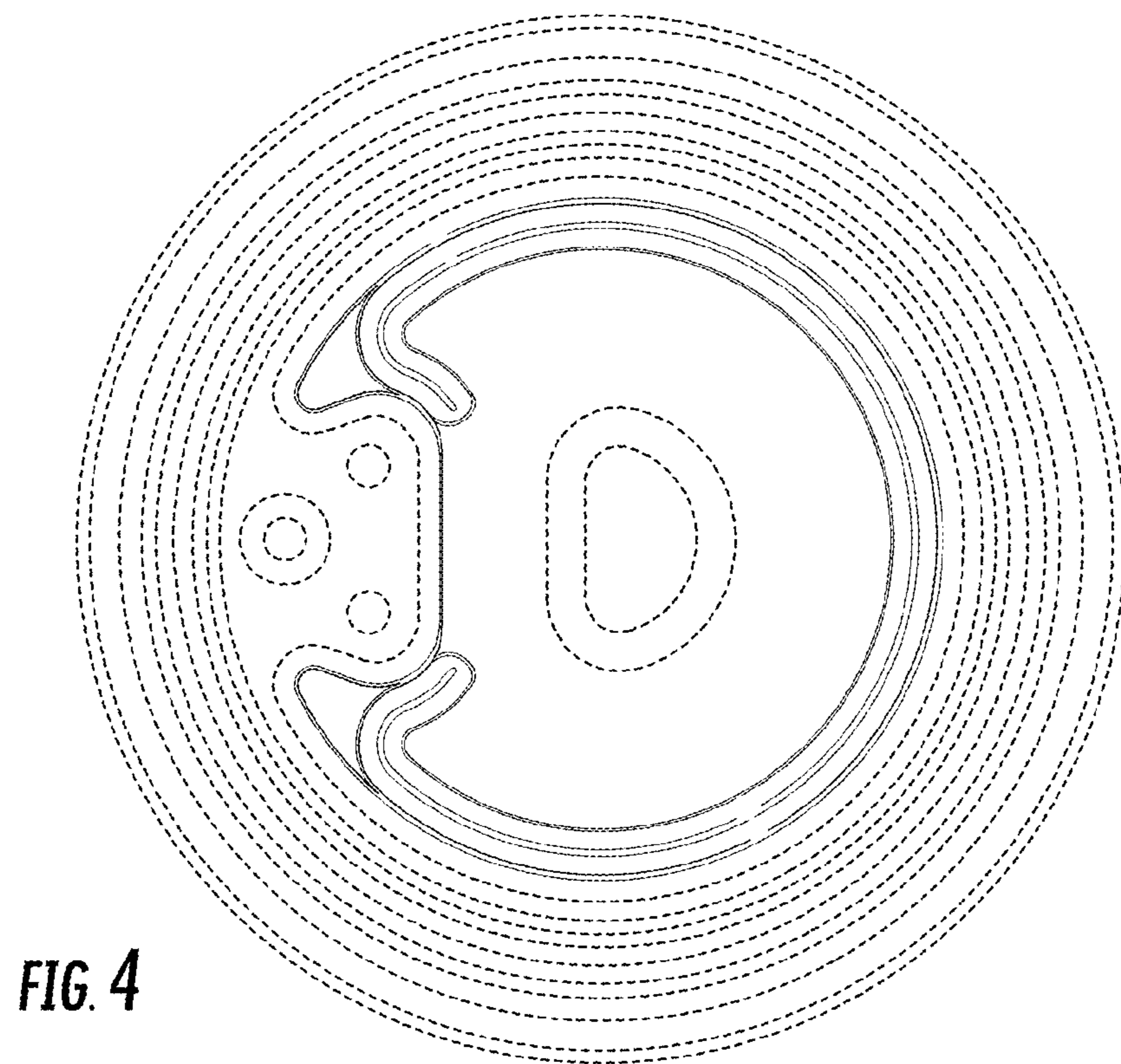
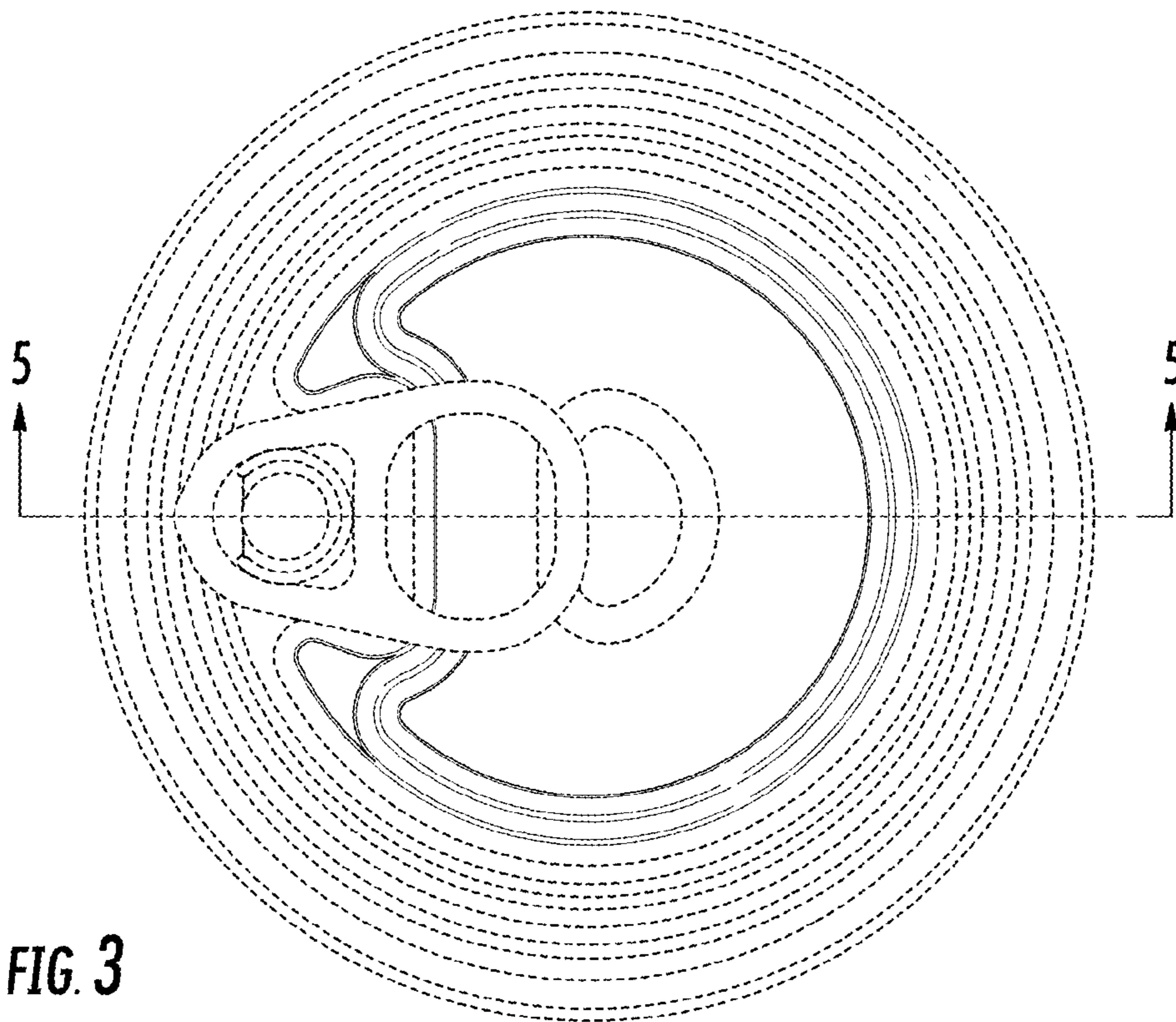




FIG. 5

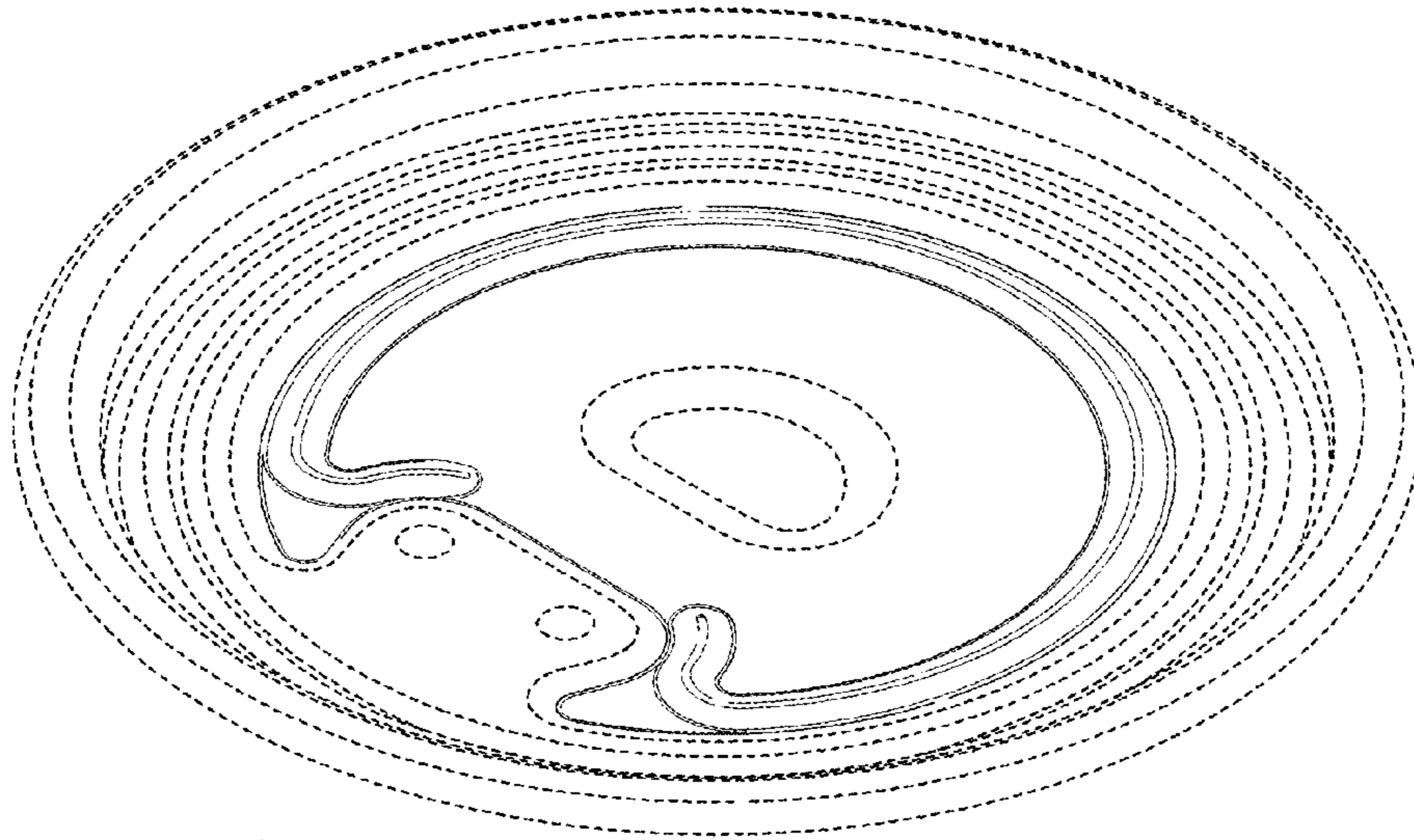


FIG. 6

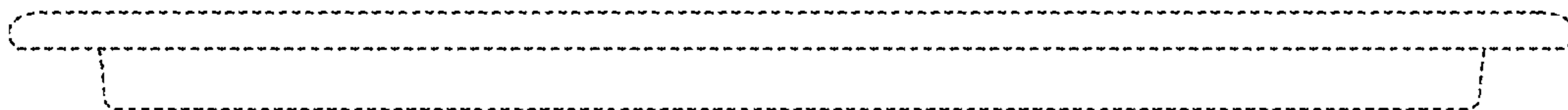
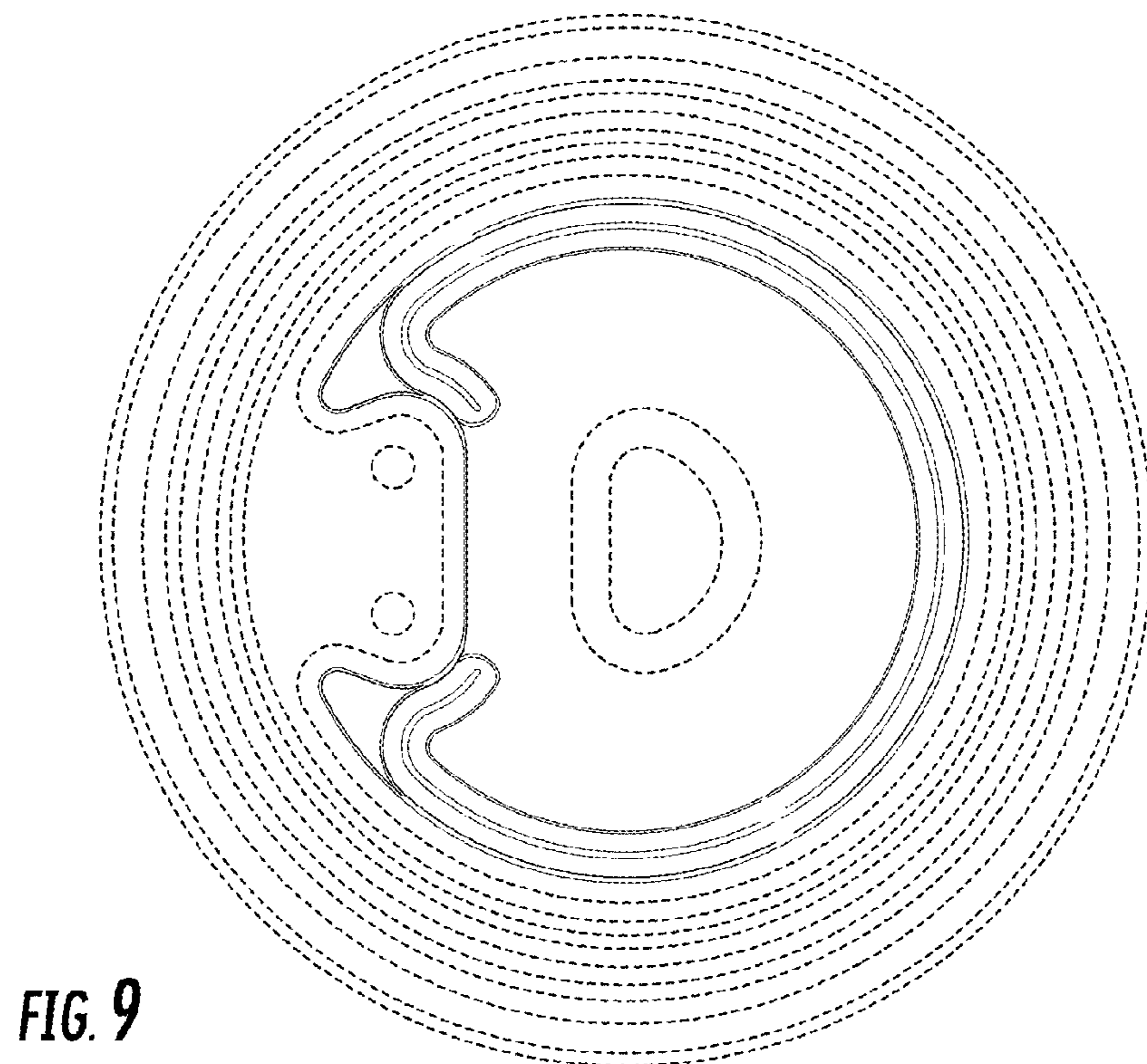
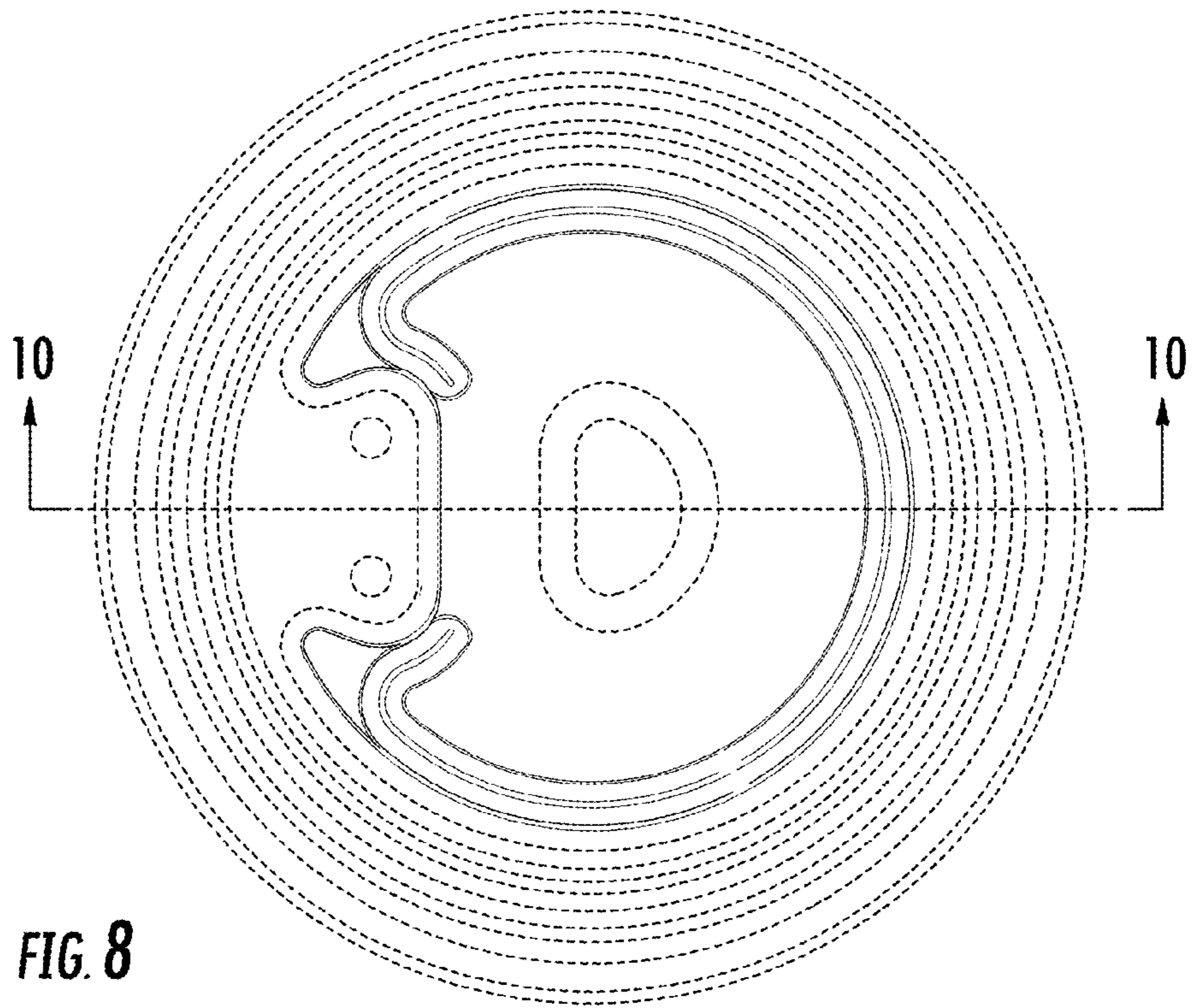
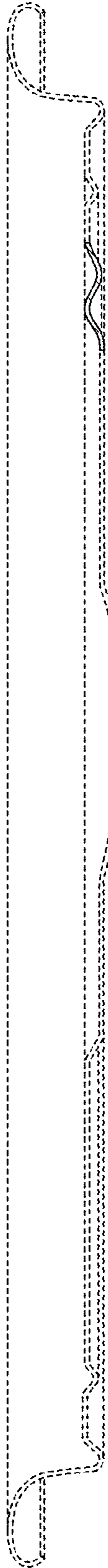


FIG. 7







**FIG. 10**