

US00D695605S

(12) **United States Design Patent**
Johnson

(10) **Patent No.:** **US D695,605 S**
(45) **Date of Patent:** **** Dec. 17, 2013**

(54) **ICE CREAM CONTAINER**

(71) Applicant: **Dominic Johnson**, Sahuarita, AZ (US)

(72) Inventor: **Dominic Johnson**, Sahuarita, AZ (US)

(**) Term: **14 Years**

(21) Appl. No.: **29/455,253**

(22) Filed: **May 17, 2013**

(51) **LOC (9) Cl.** **09-03**

(52) **U.S. Cl.**
USPC **D9/423**

(58) **Field of Classification Search**
USPC D9/430-433, 414, 416, 420-423;
D3/272; 206/278, 297, 299, 457, 770,
206/737, 822; 229/100, 101, 101.3, 106,
229/108, 108.1, 116.1, 116.3, 116.5, 121,
229/122, 201, 213, 221, 222, 227, 922, 939,
229/942

See application file for complete search history.

(56) **References Cited**

U.S. PATENT DOCUMENTS

3,235,167	A *	2/1966	Svensson	229/228
4,003,516	A *	1/1977	Commerford et al.	229/208
4,083,455	A *	4/1978	Keating, Jr.	229/224
4,326,634	A *	4/1982	Meyers	229/228
D298,515	S *	11/1988	Pennell	D9/423
5,141,151	A *	8/1992	Faulstick	229/145

D345,101	S *	3/1994	Abrams	D9/423
D376,759	S *	12/1996	Bradfield	D9/432
6,073,760	A *	6/2000	Roemer et al.	206/215
6,604,676	B2 *	8/2003	Giblin	229/225
D519,830	S *	5/2006	Yocum	D9/420
D583,660	S *	12/2008	Steiger et al.	D9/432
D606,855	S *	12/2009	Jo et al.	D9/423
D629,296	S *	12/2010	De Muynck	D9/433
8,328,078	B2 *	12/2012	Modha et al.	229/221
D685,629	S *	7/2013	McAdam	D9/420
2012/0234904	A1 *	9/2012	Costanzo, Jr.	229/116.5

* cited by examiner

Primary Examiner — Thomas Johannes

(74) *Attorney, Agent, or Firm* — Richard A. Koske; Foster Pepper PLLC

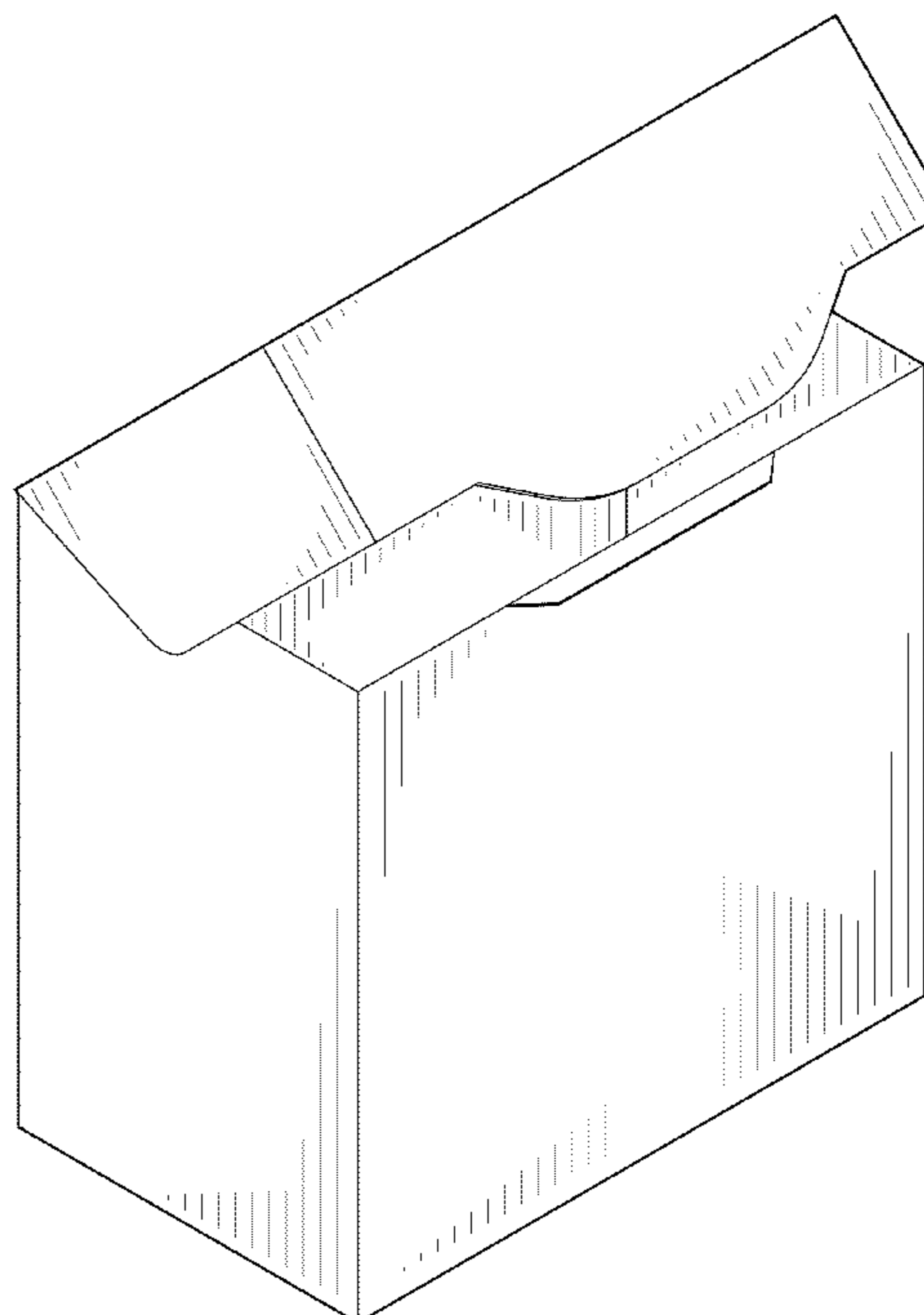
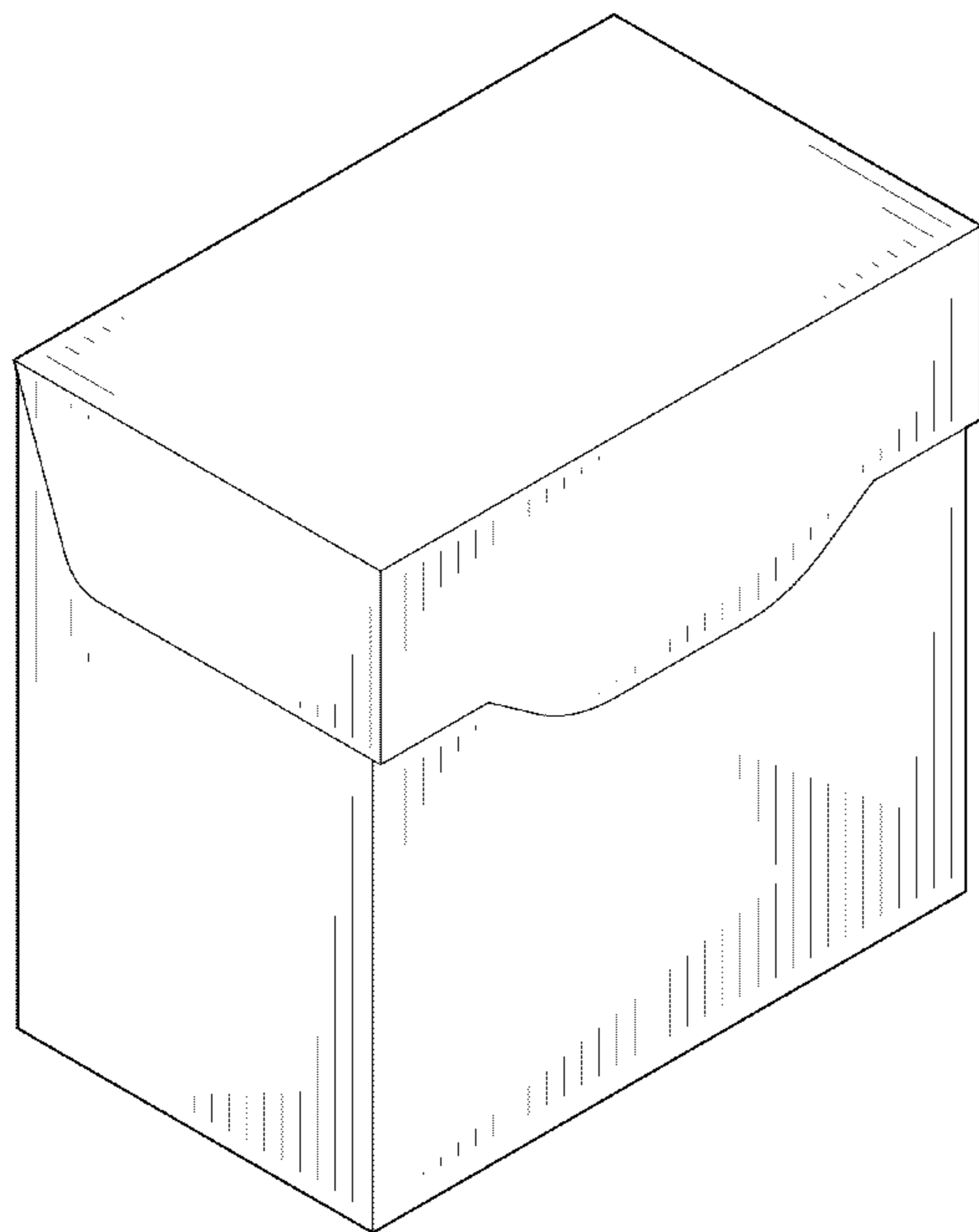
(57) **CLAIM**

I claim the ornamental design for the ice cream container, as shown and described.

DESCRIPTION

FIG. 1 is a front perspective view of an ice cream container, showing my new design;
FIG. 2 is a front elevation view thereof;
FIG. 3 is a left side elevation view thereof;
FIG. 4 is a top plan view thereof;
FIG. 5 is a bottom plan view thereof;
FIG. 6 is a right side elevation view thereof;
FIG. 7 is a back elevation view thereof; and,
FIG. 8 is a front perspective view thereof with the top open.

1 Claim, 7 Drawing Sheets



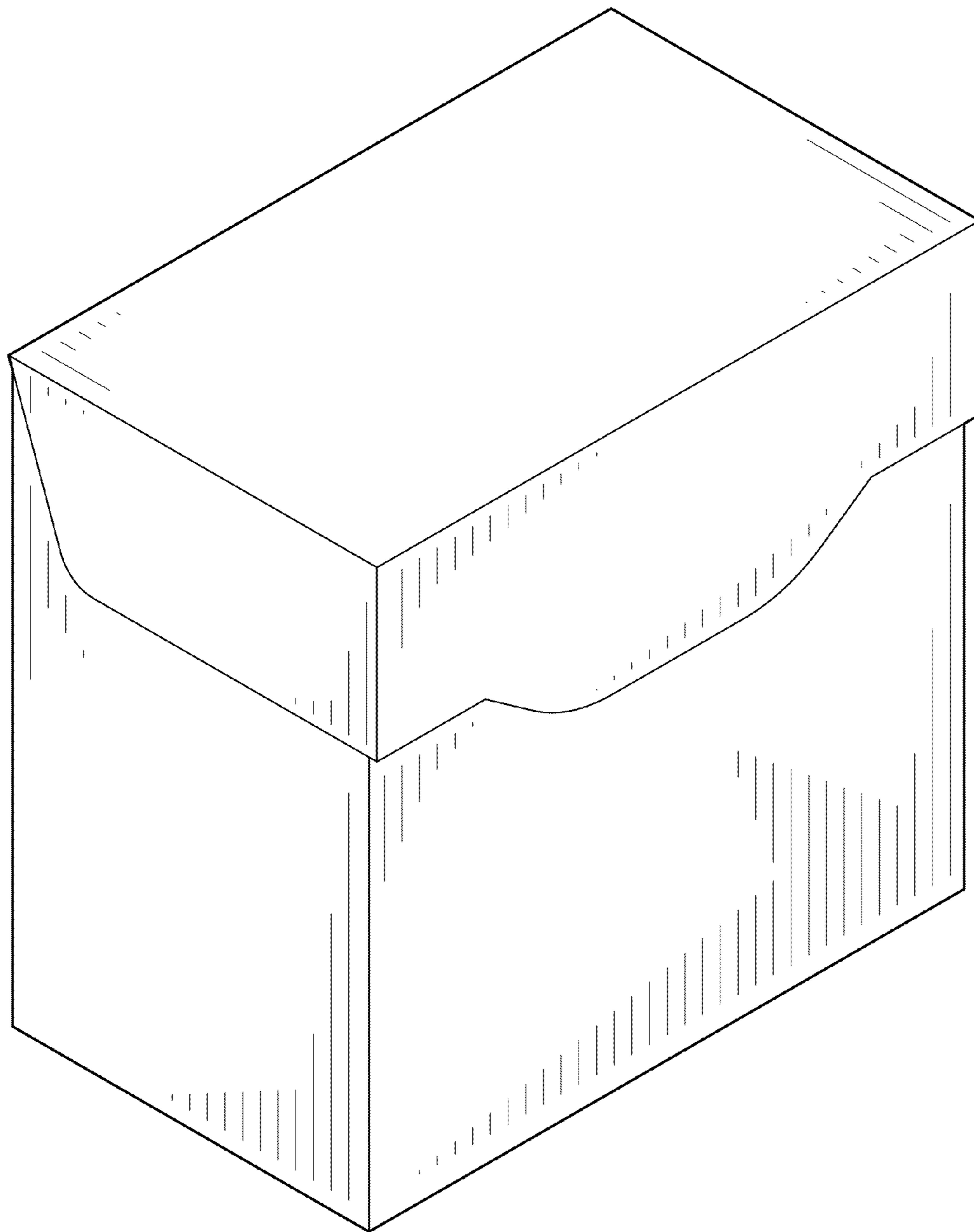


FIG.1

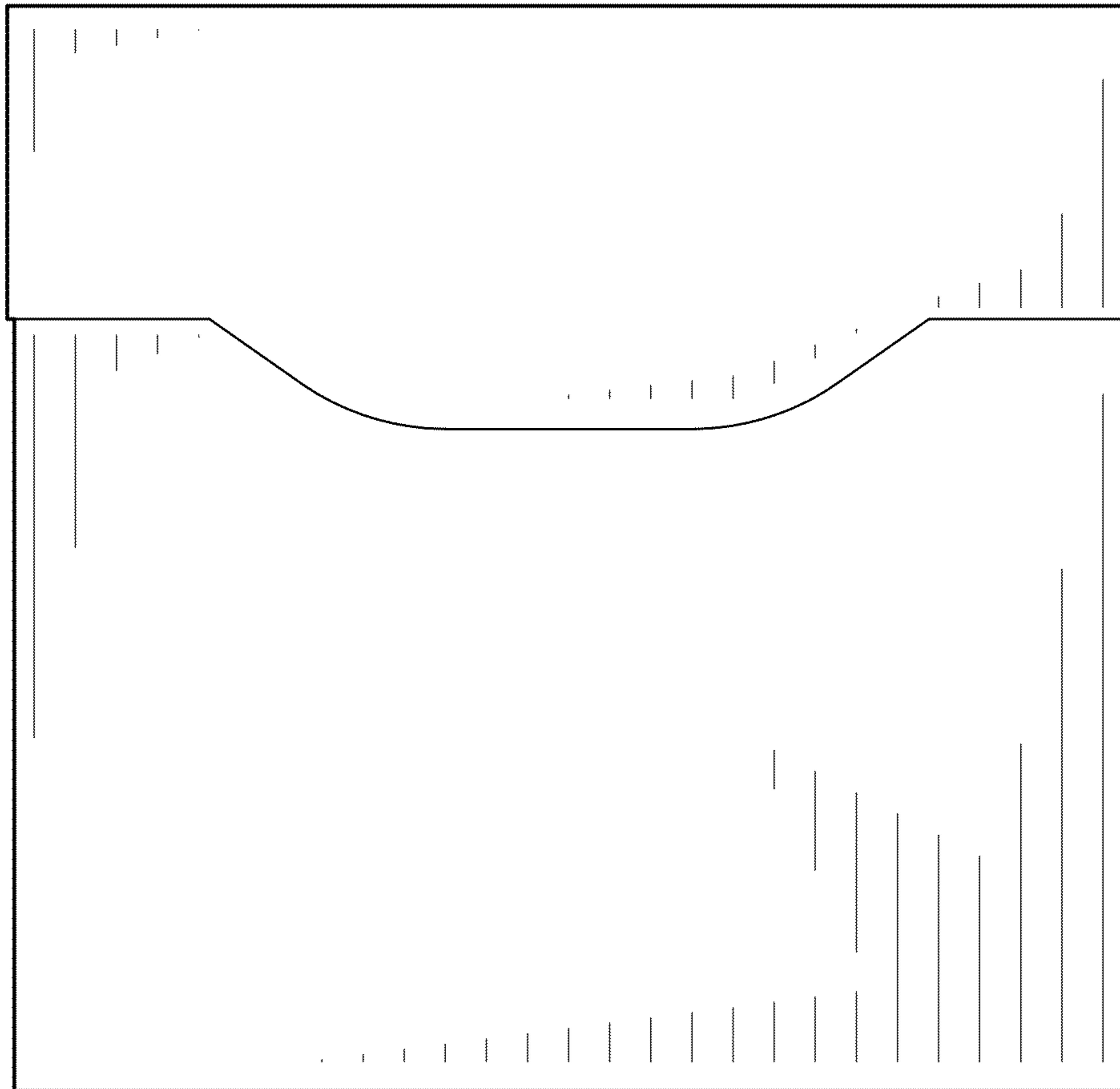


FIG.2

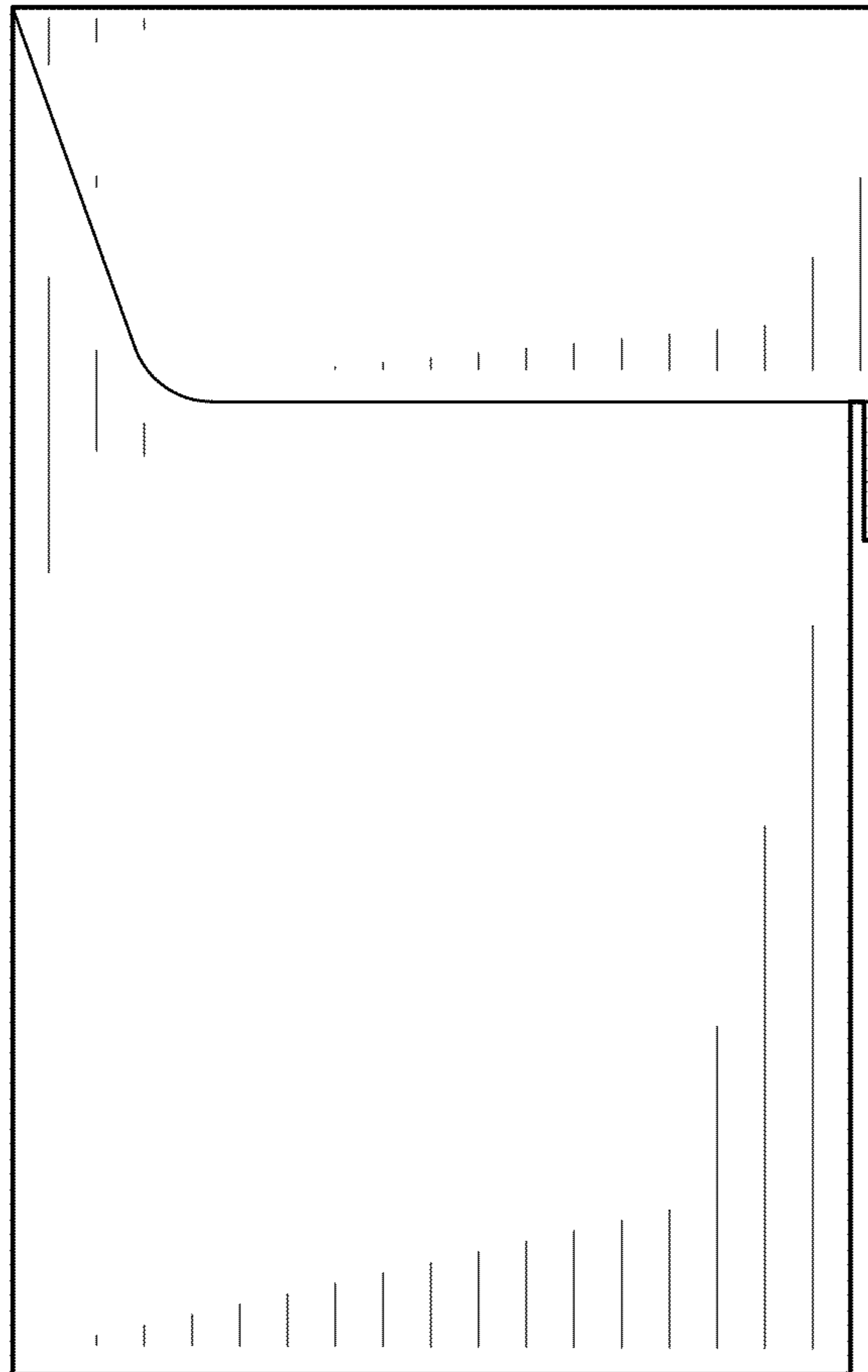


FIG. 3

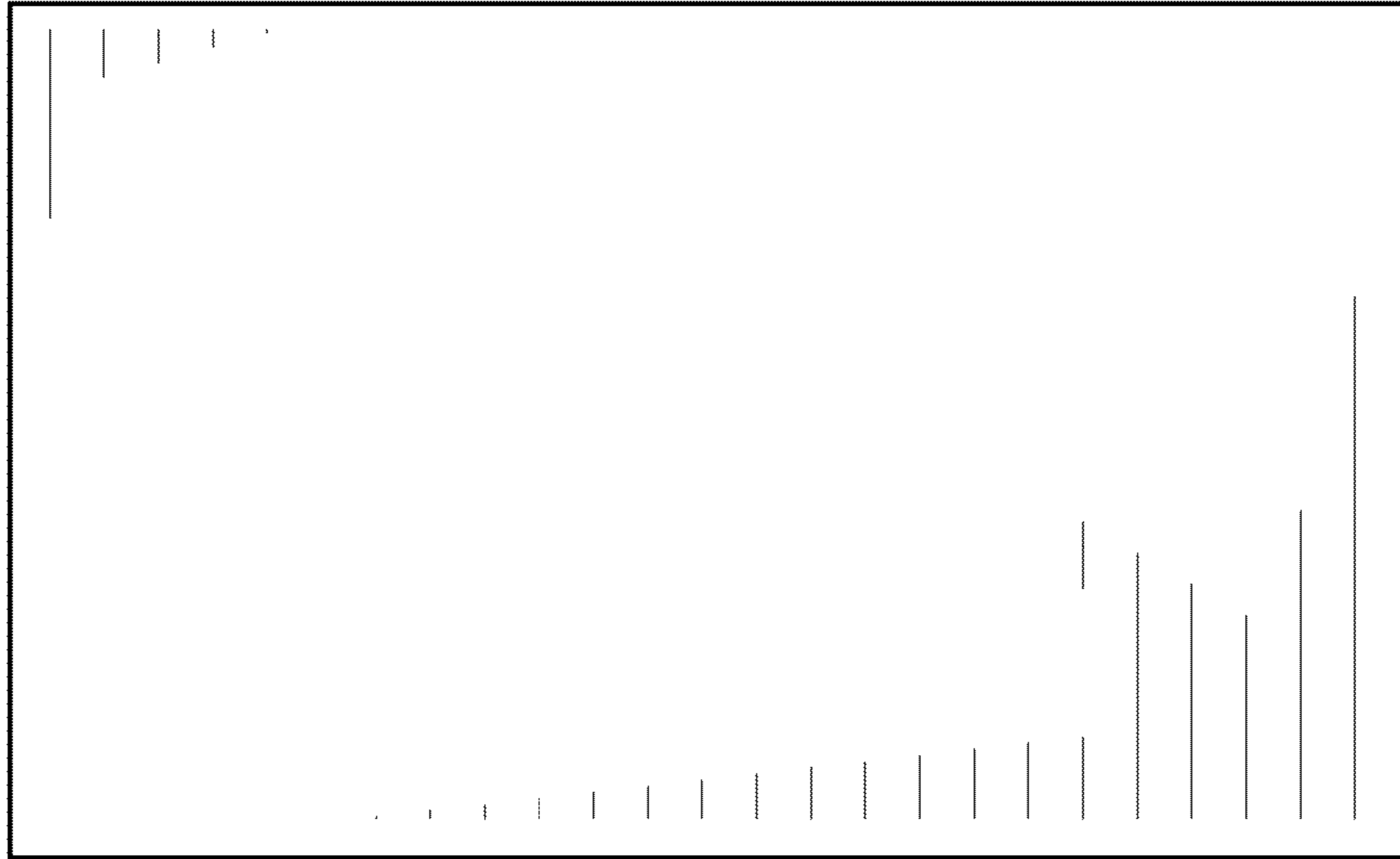


FIG. 4

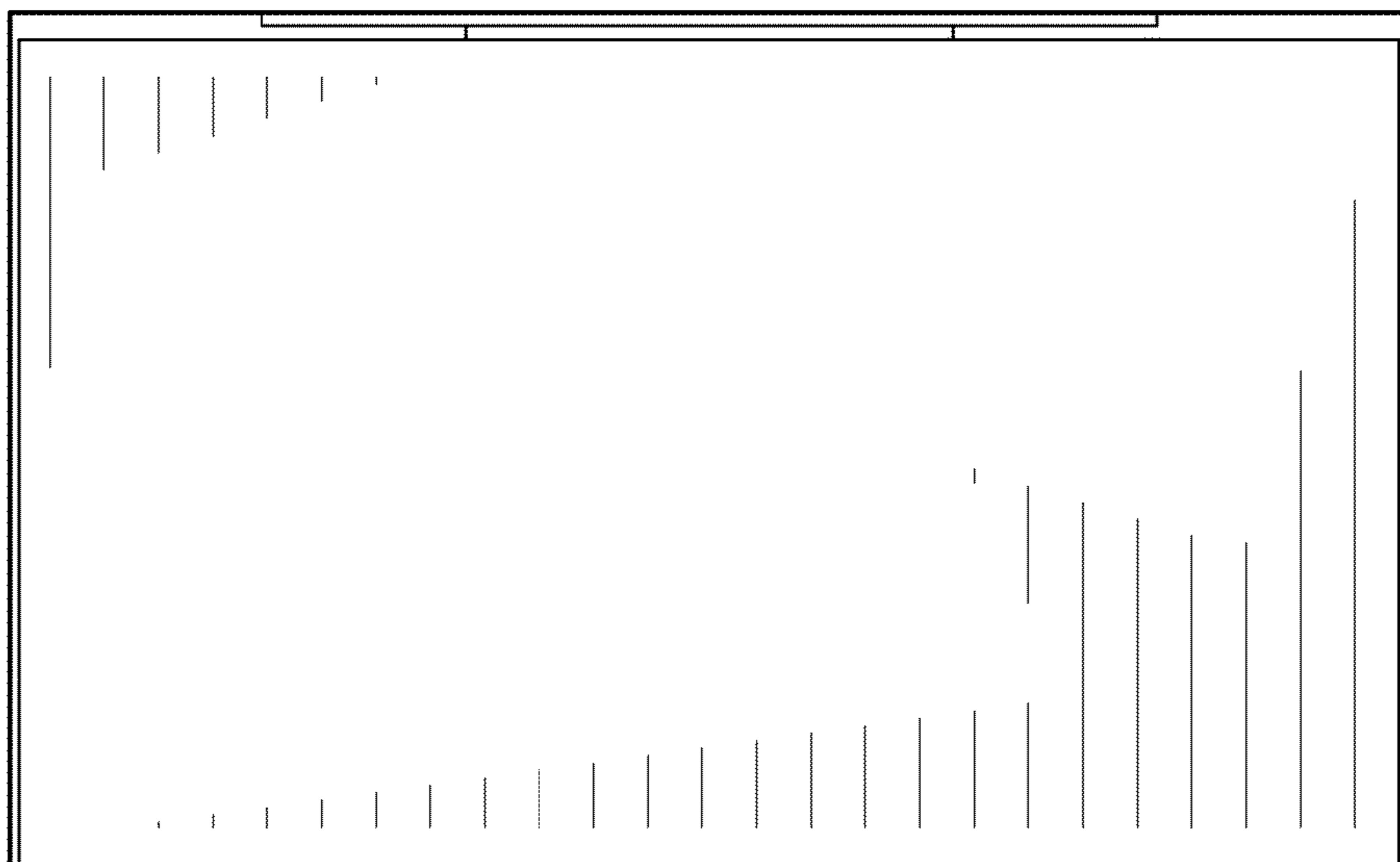


FIG. 5

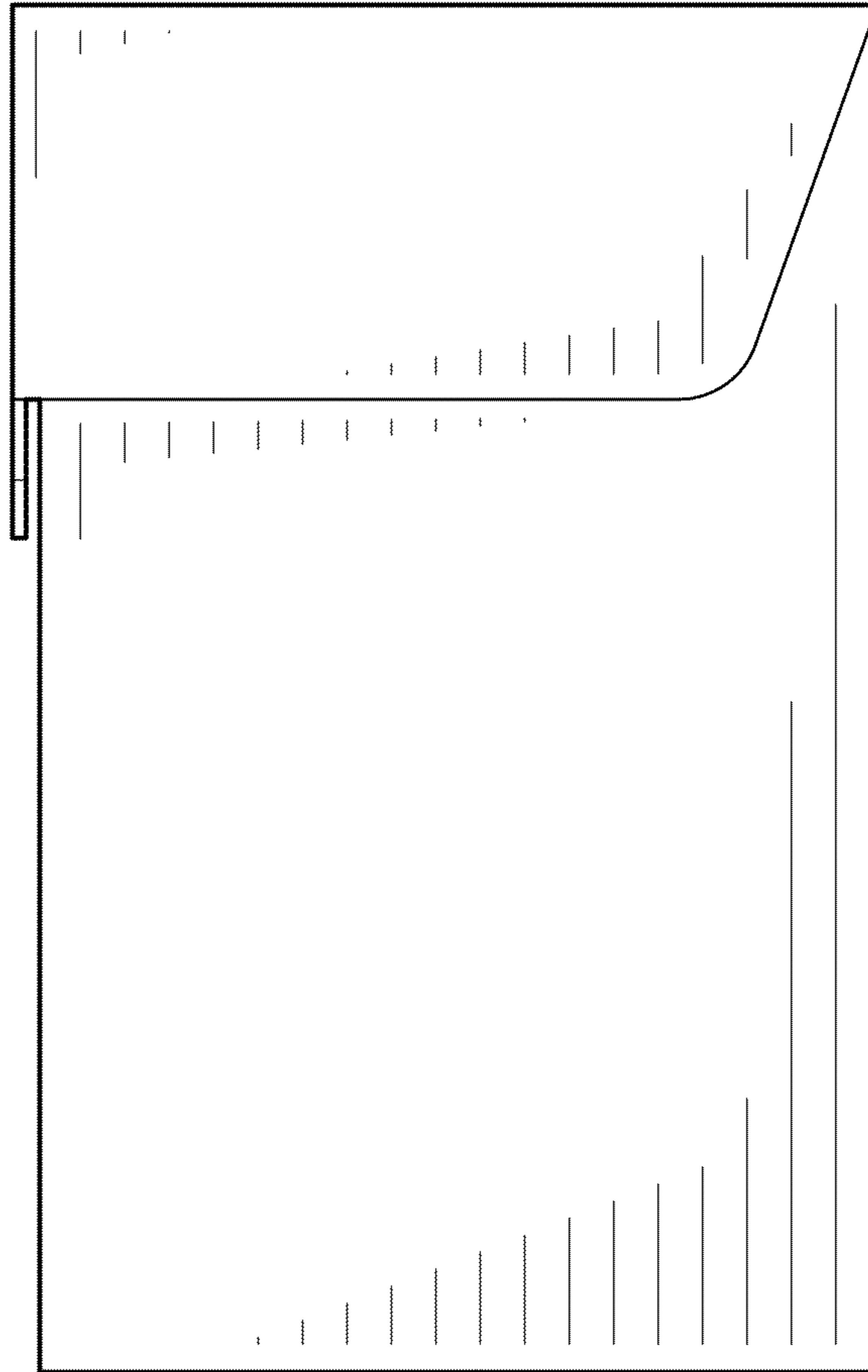


FIG.6

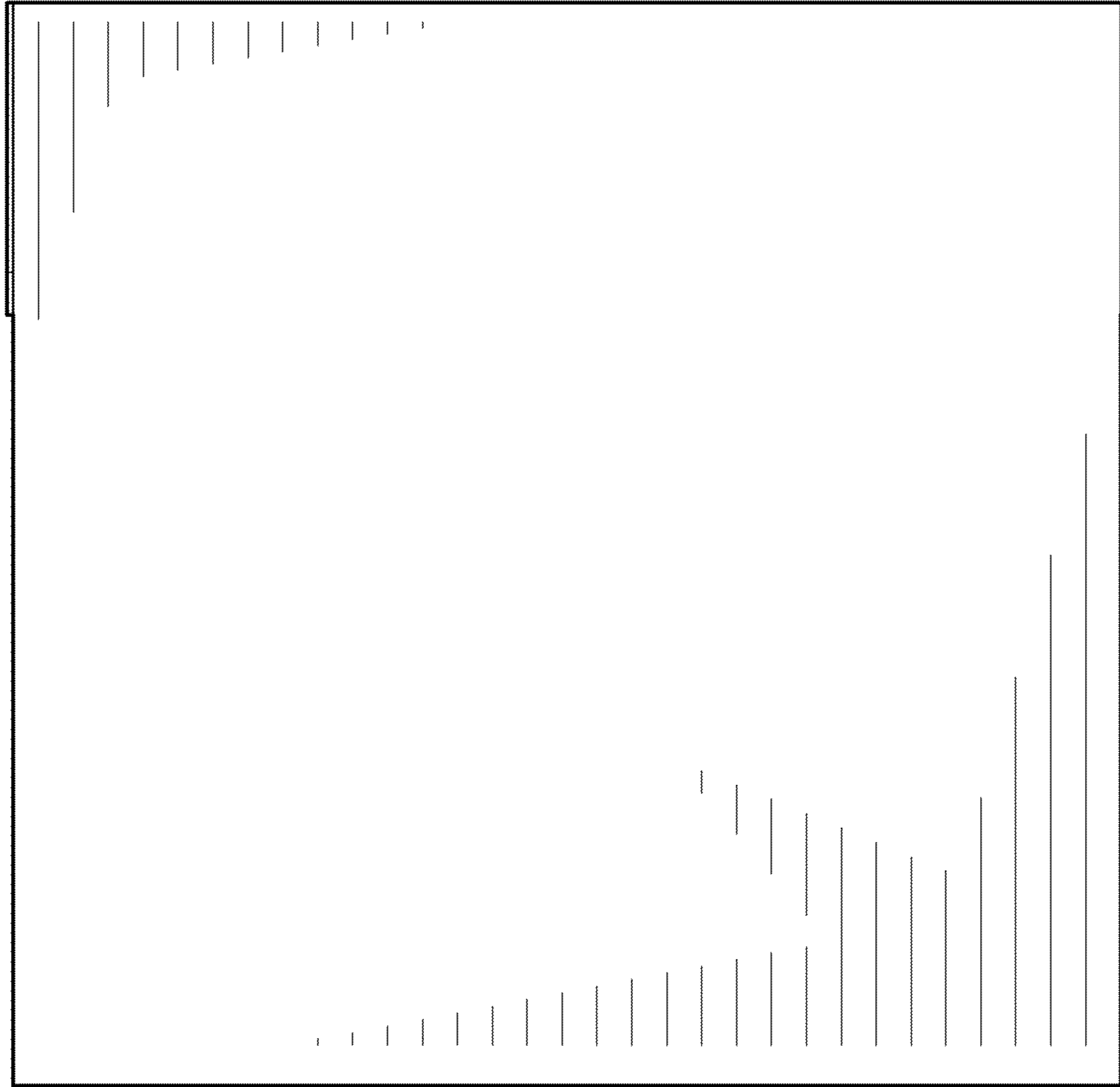


FIG. 7

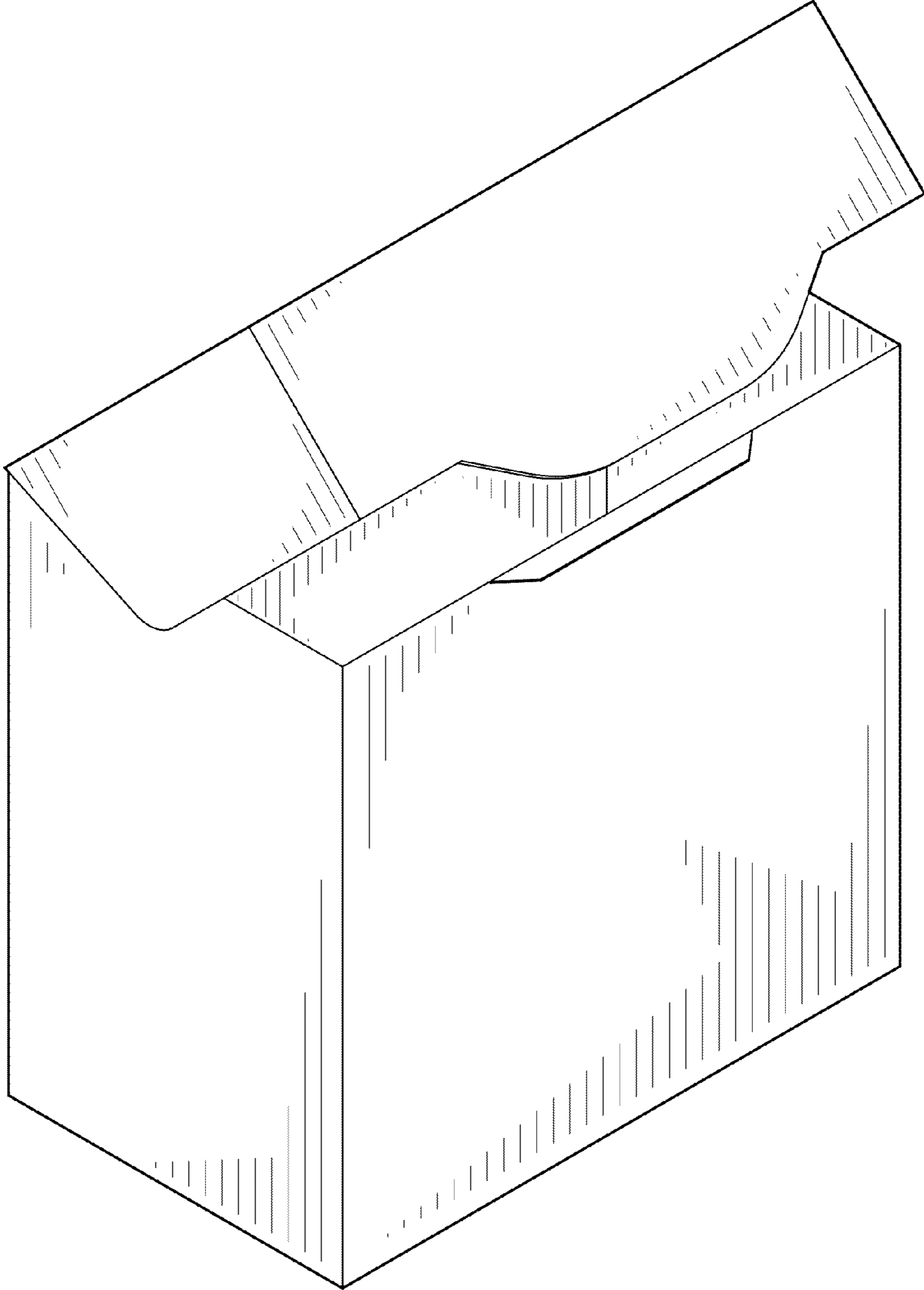


FIG.8