



US00D695604S

(12) **United States Design Patent**  
**Wichowski**

(10) **Patent No.:** **US D695,604 S**

(45) **Date of Patent:** **\*\* Dec. 17, 2013**

(54) **TIN**

(75) Inventor: **Artur Wichowski**, Gerlafingen (CH)

(73) Assignee: **Hoffman Neopac AG**, Thun (CH)

(\*\*) Term: **14 Years**

(21) Appl. No.: **29/426,447**

(22) Filed: **Jul. 5, 2012**

(30) **Foreign Application Priority Data**

Jun. 7, 2012 (WO) ..... DM/078508

(51) **LOC (9) Cl.** ..... **09-03**

(52) **U.S. Cl.**  
USPC ..... **D9/420**

(58) **Field of Classification Search**  
USPC ..... 222/173, 180; 221/26, 33, 45, 63,  
221/282-284; 206/225, 233, 389, 391, 409,  
206/494, 812, 824; 211/13.1, 45; 224/925;  
242/570, 590; 248/309.1, 309.2, 905;  
D12/17, 19; D3/273, 294, 318;  
D9/420, 421, 423, 520, 734; D6/512,  
D6/515-523

See application file for complete search history.

(56) **References Cited**

**U.S. PATENT DOCUMENTS**

2,906,428	A *	9/1959	Fralick	.....	220/283
D469,607	S *	2/2003	Wolff	.....	D3/294
D547,175	S *	7/2007	Berg	.....	D9/423
D617,043	S *	6/2010	Patel et al.	.....	D27/189
D623,052	S *	9/2010	Giraud et al.	.....	D9/420
D624,400	S *	9/2010	Wichowski	.....	D9/420
D649,869	S *	12/2011	Gibson et al.	.....	D9/421
D672,643	S *	12/2012	Giraud	.....	D9/421
D675,516	S *	2/2013	Horton et al.	.....	D9/424
2009/0223841	A1 *	9/2009	Mack, Jr.	.....	206/242

\* cited by examiner

*Primary Examiner* — Thomas Johannes

(74) *Attorney, Agent, or Firm* — Blue Filament Law PLLC;  
Avery N. Goldstein

(57) **CLAIM**

The ornamental design for a tin, as shown and described.

**DESCRIPTION**

FIG. 1 is a front aerial perspective view of an inventive tin in a closed position;

FIG. 2 is a front aerial perspective view of the inventive tin depicted in FIG. 1 in an open lid position showing a removable foil in position;

FIG. 3 is a rear side view of the inventive tin depicted in FIG. 1;

FIG. 4 is a front side view of the inventive tin depicted in FIG. 1;

FIG. 5 is a top view of the inventive tin depicted in FIG. 1;

FIG. 6 is a right side view of the inventive tin depicted in FIG. 1;

FIG. 7 is a left side view of the inventive tin depicted in FIG. 1;

FIG. 8 is a bottom view of the inventive tin depicted in FIG. 1;

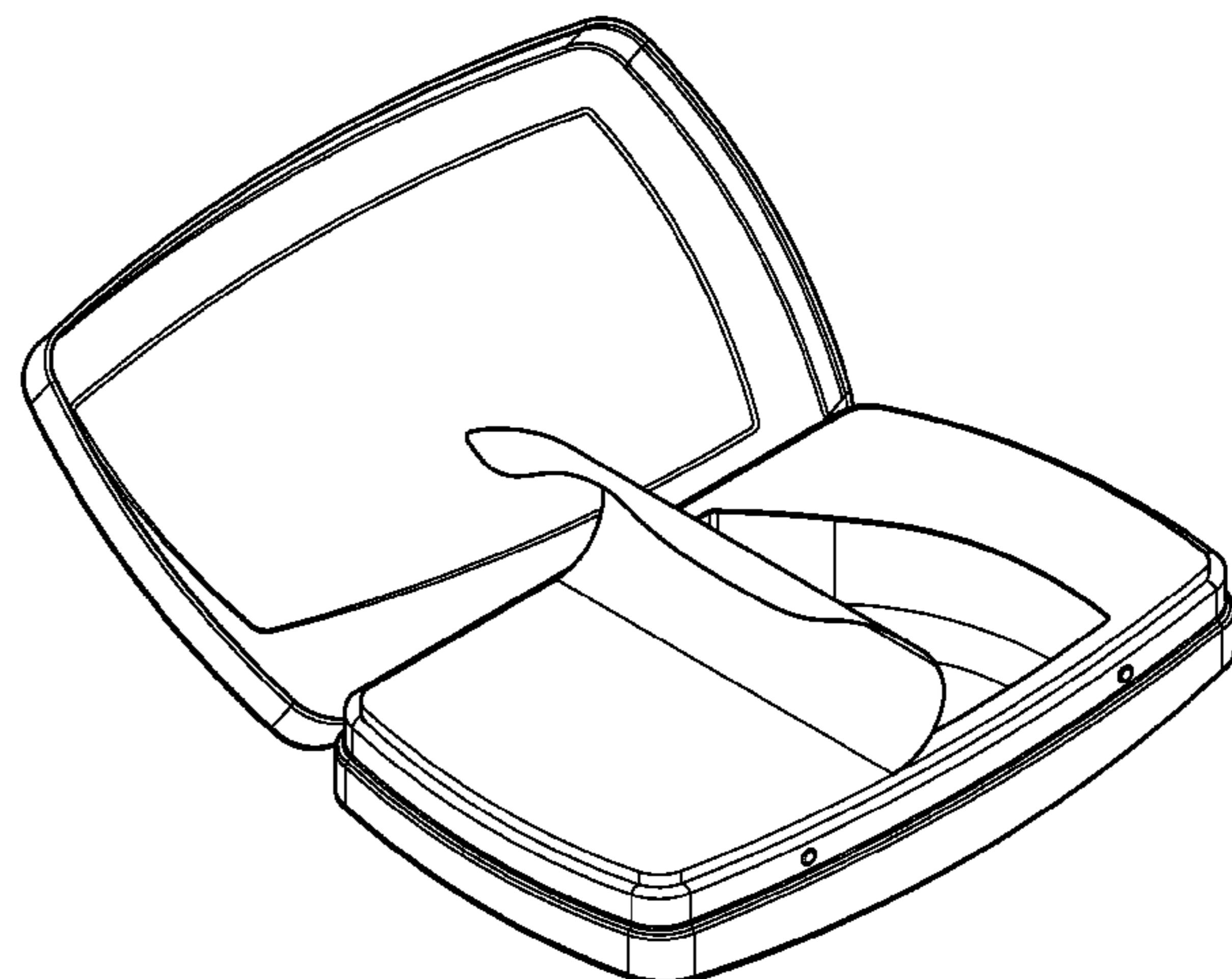
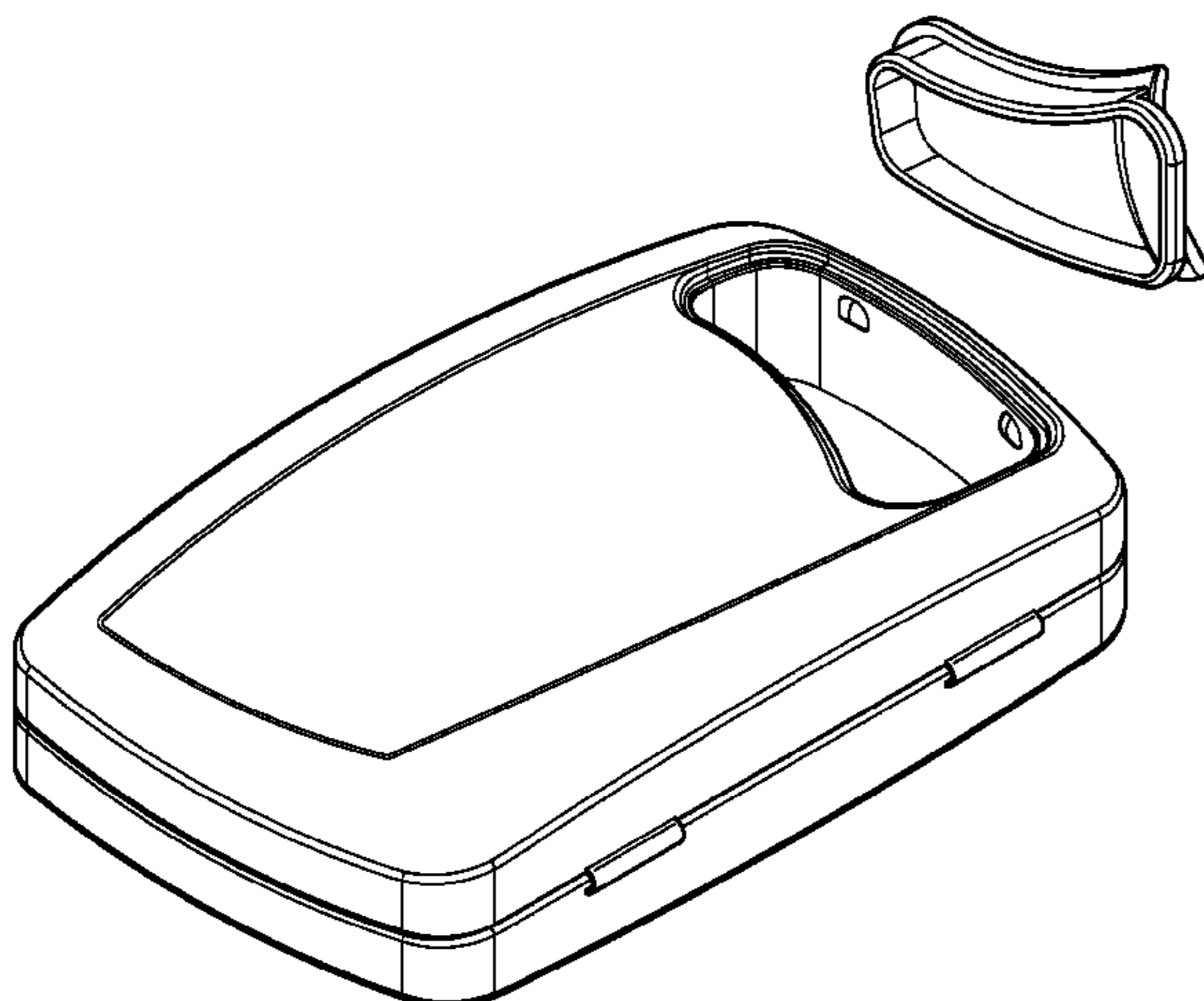
FIG. 9 is a bottom aerial perspective view of the inventive tin depicted in FIG. 1;

FIG. 10 is a bottom aerial perspective exploded view of the inventive tin depicted in FIG. 1 showing a lower compartment;

FIG. 11 is the front aerial perspective view of the inventive tin depicted in FIG. 2 in the open lid position showing the removable foil partially lifted to expose an upper compartment; and,

FIG. 12 is the front aerial perspective view of the inventive tin depicted in FIG. 2 in the open lid position showing the upper compartment and absent the foil.

**1 Claim, 5 Drawing Sheets**



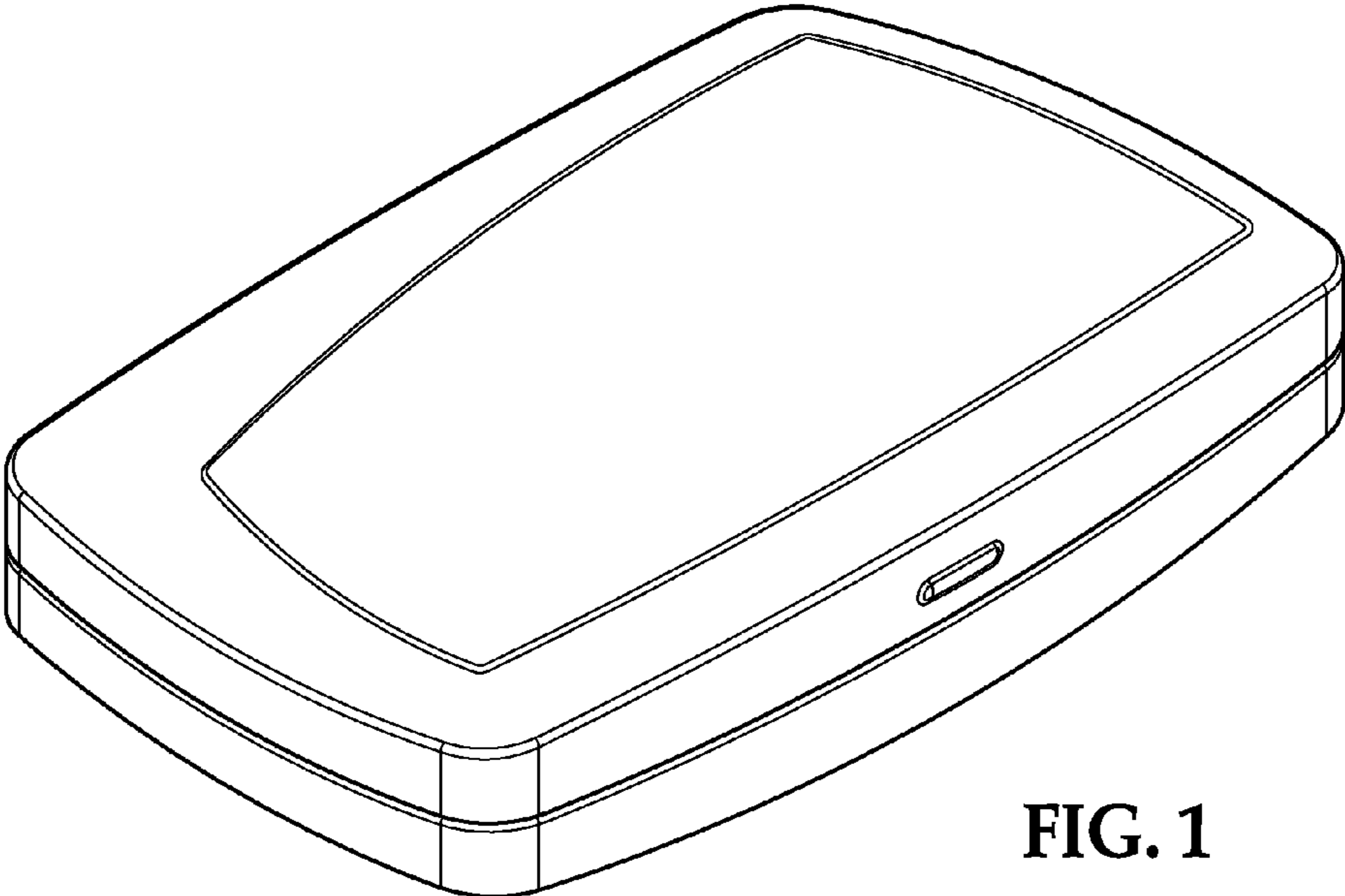


FIG. 1

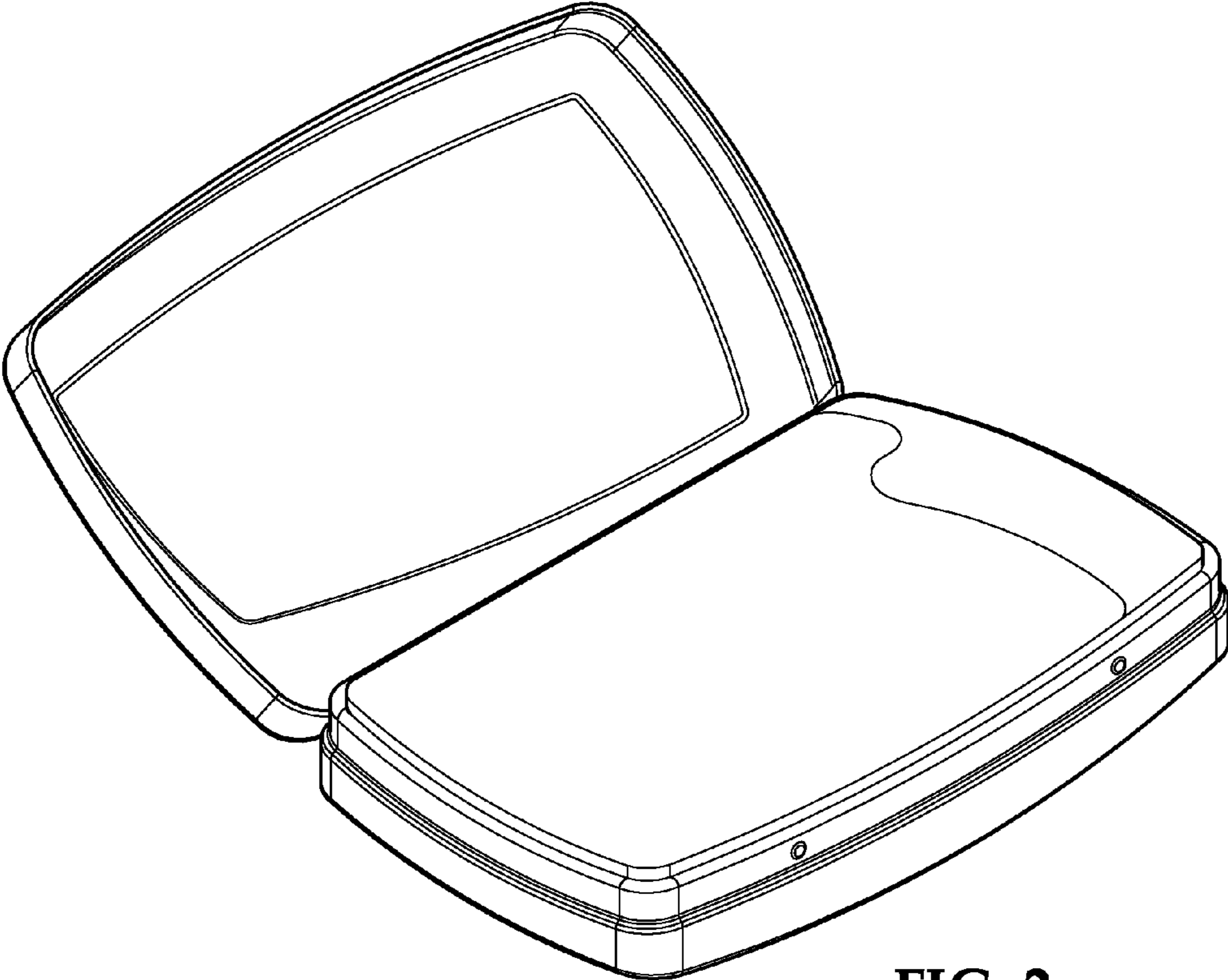


FIG. 2

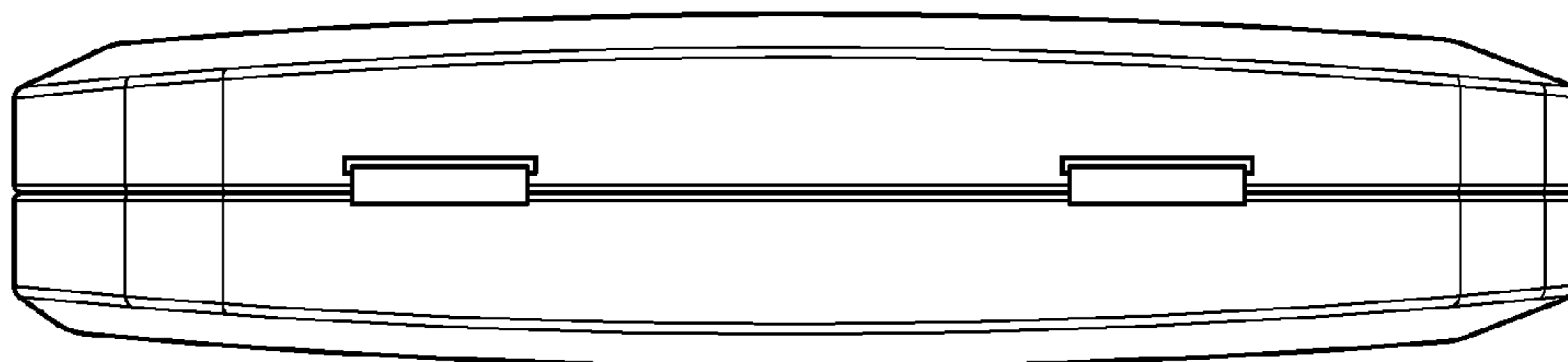


FIG. 3

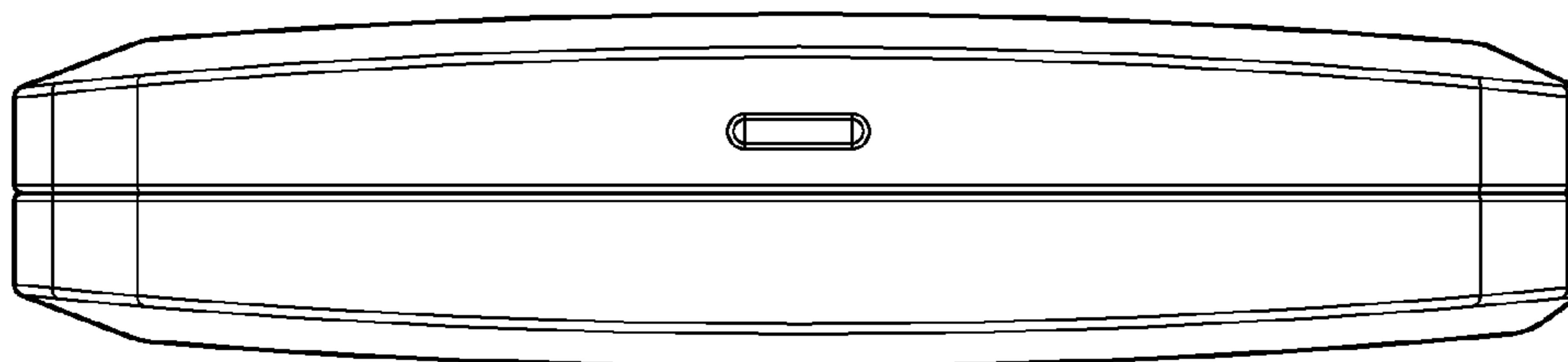


FIG. 4

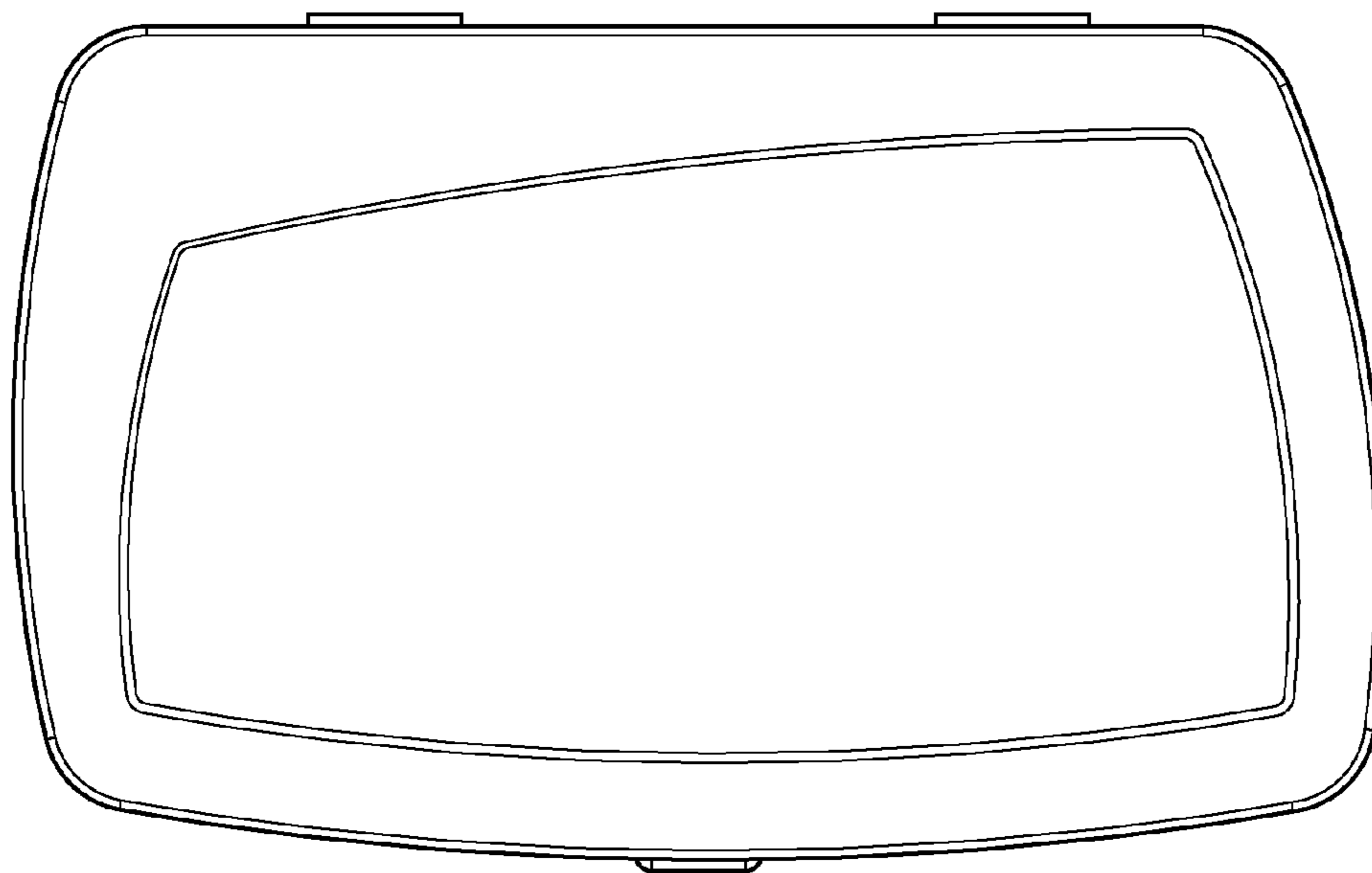


FIG. 5

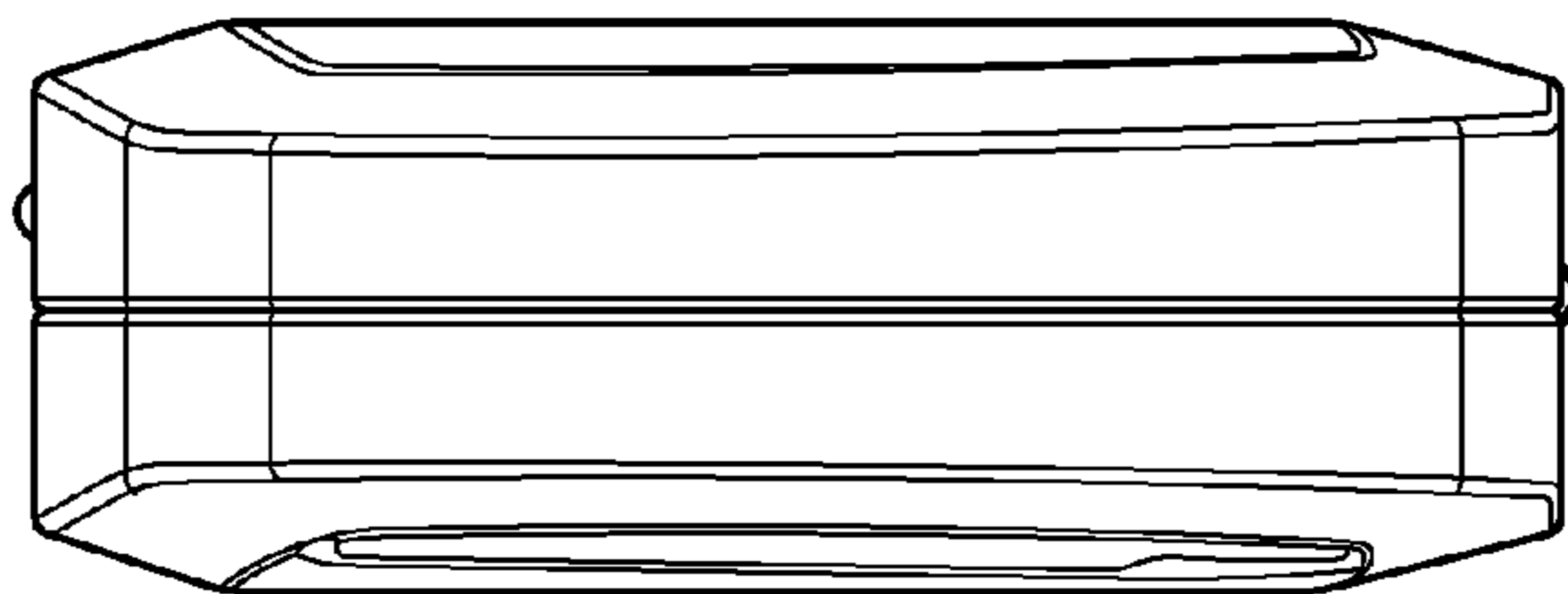


FIG. 6

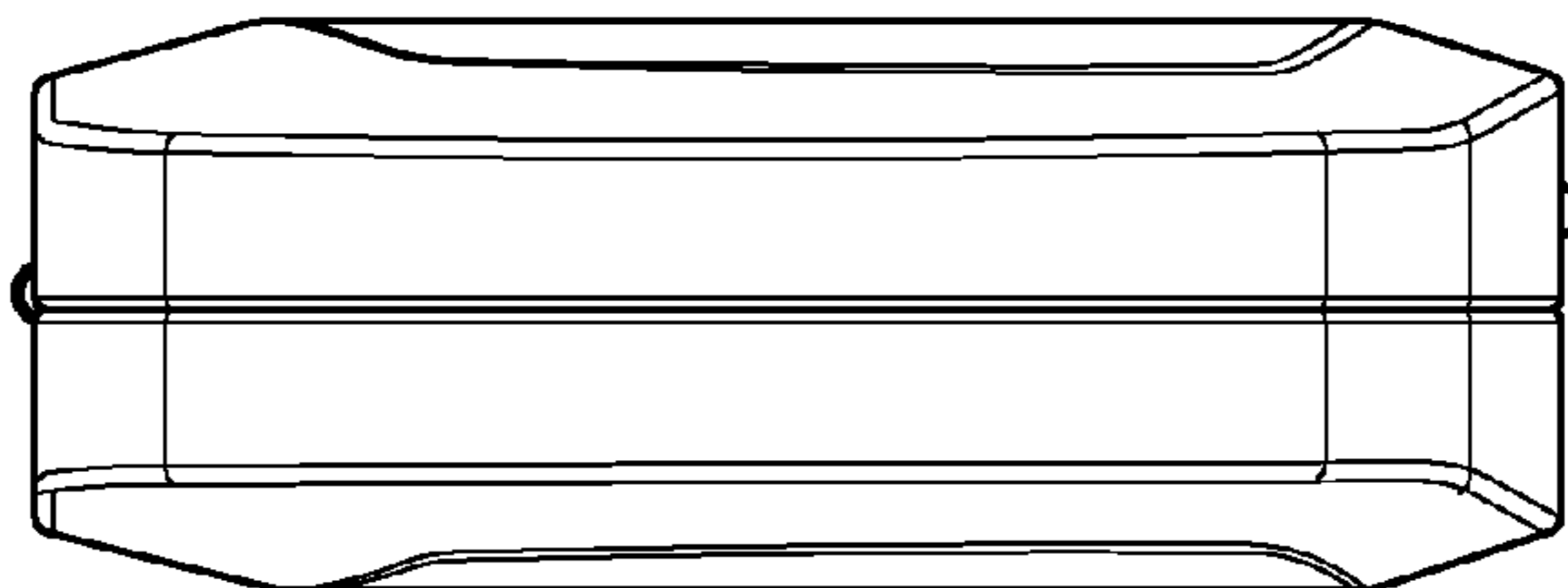


FIG. 7

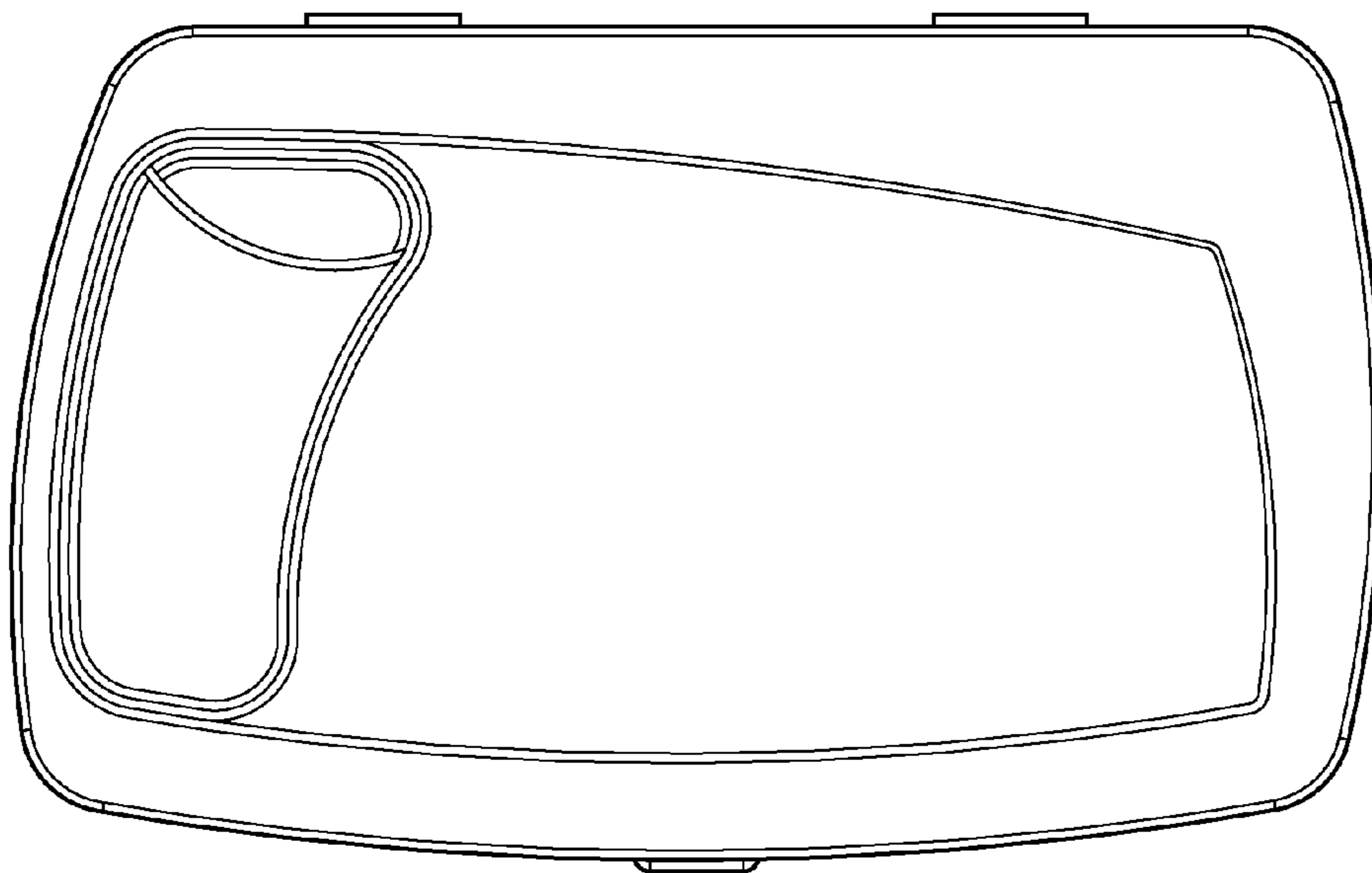


FIG. 8

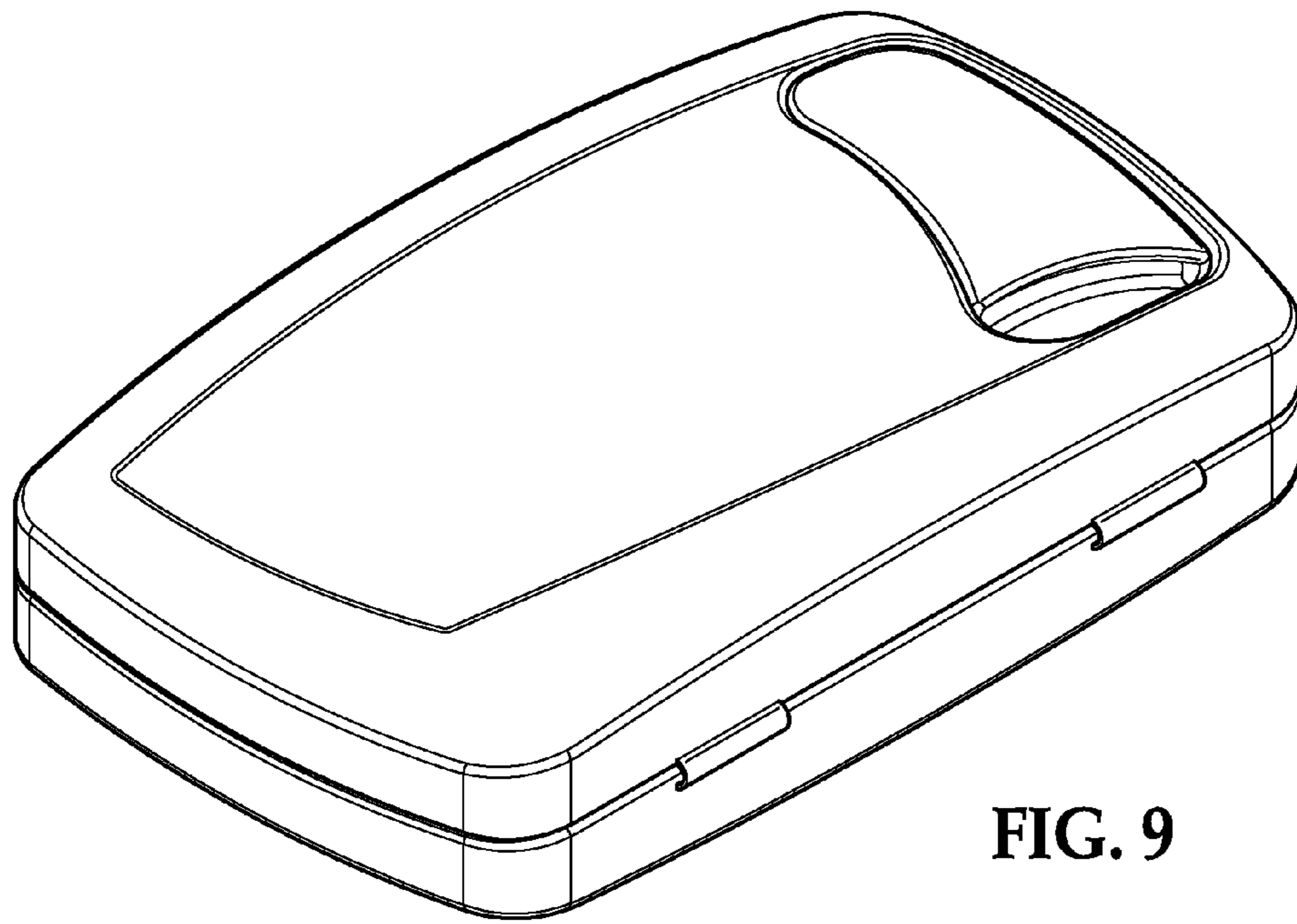


FIG. 9

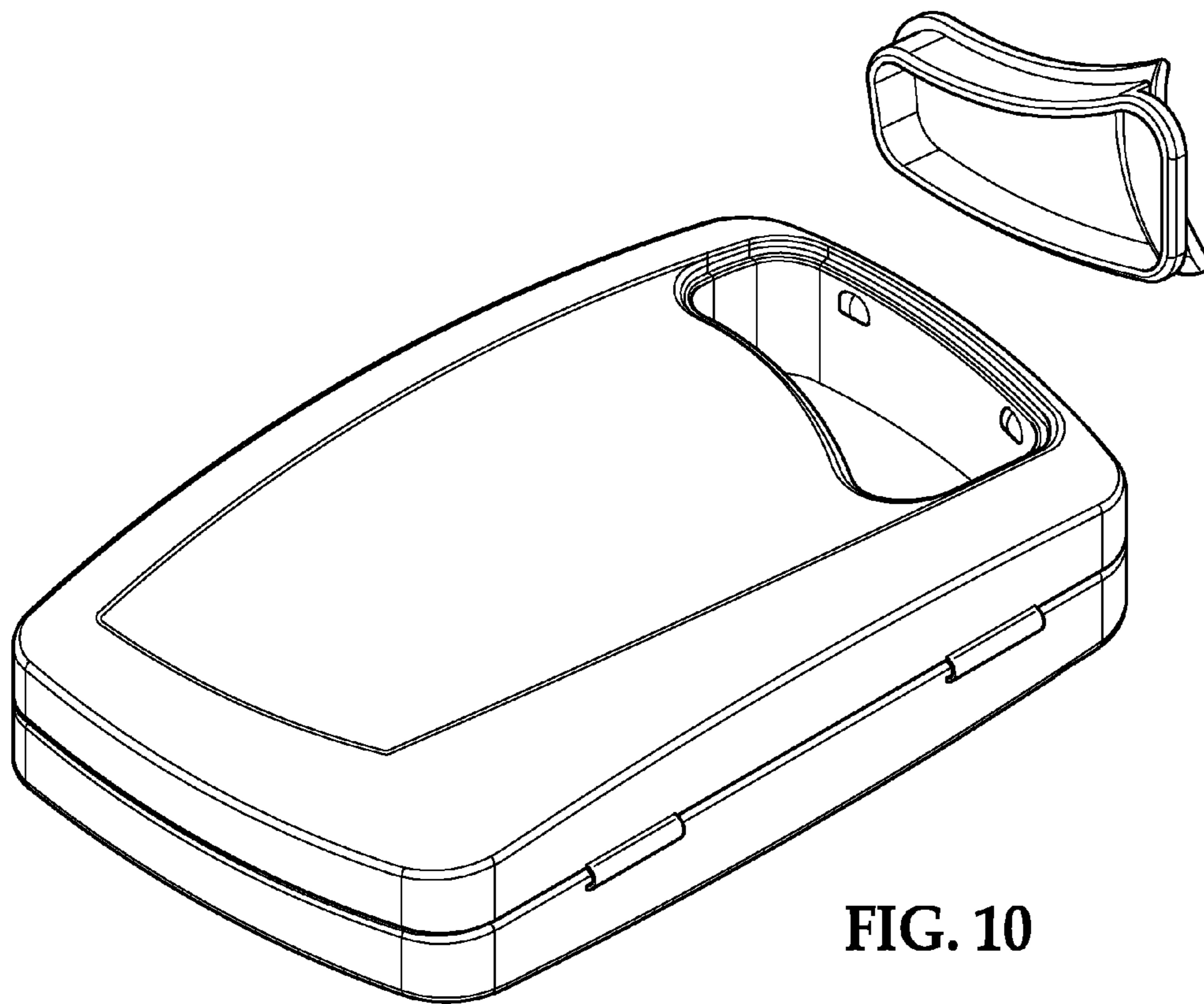


FIG. 10

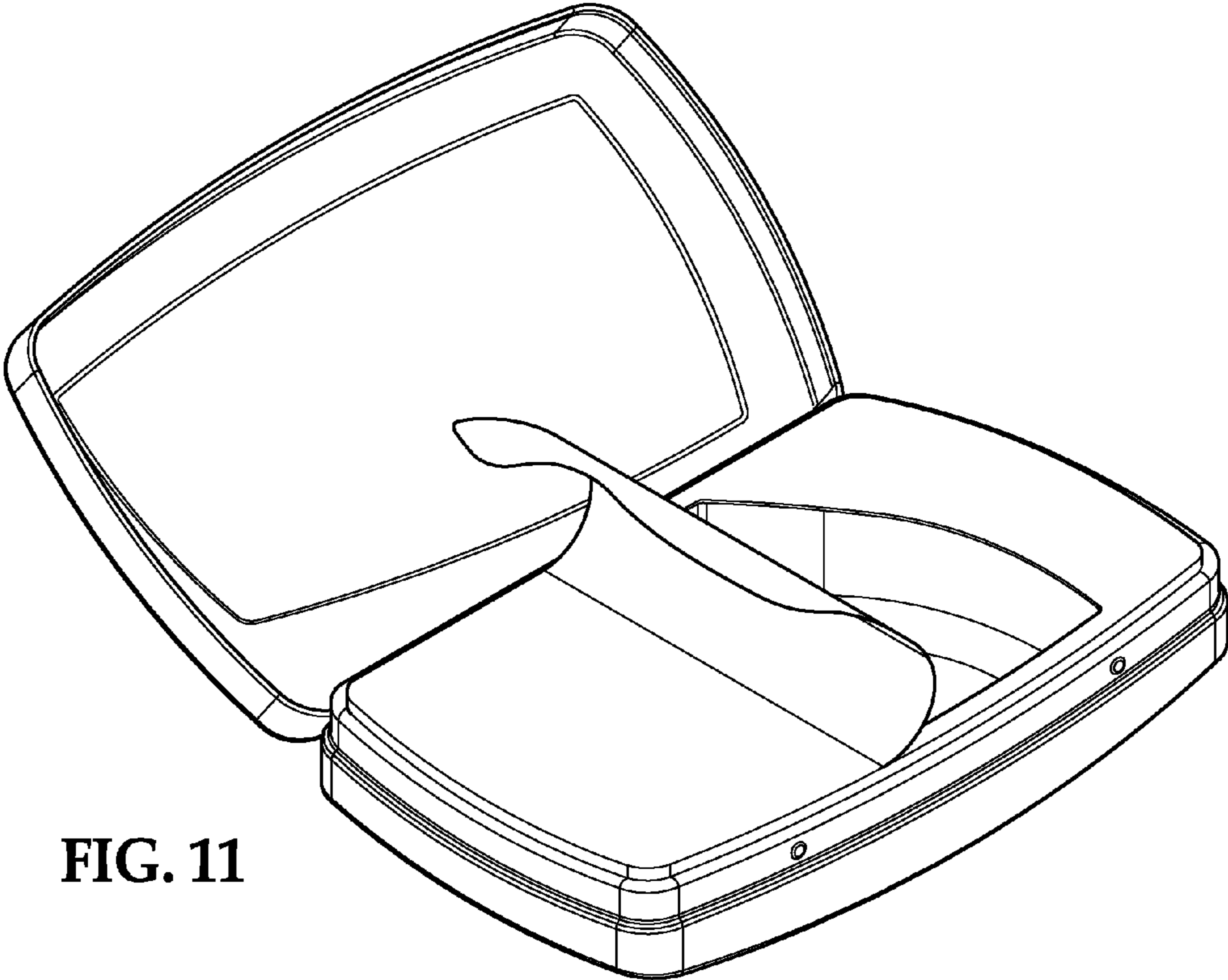


FIG. 11

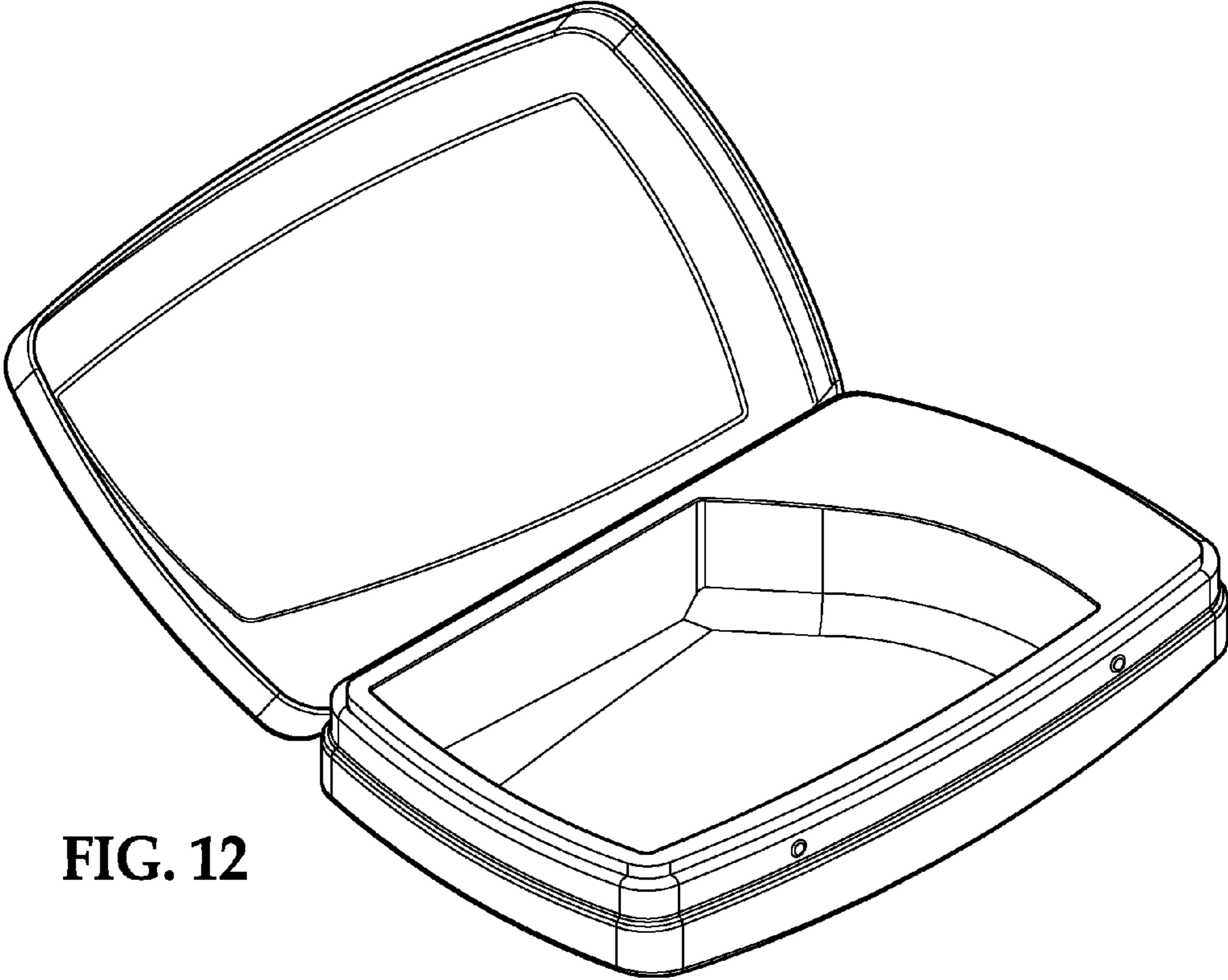


FIG. 12