

US00D695600S

(12) **United States Design Patent**
Fujioka

(10) **Patent No.:** **US D695,600 S**
(45) **Date of Patent:** **** Dec. 17, 2013**

(54) **CONNECTOR BIT**

(75) Inventor: **Robb Fujioka**, Manhattan Beach, CA
(US)

(73) Assignee: **Fuhu Holdings, Inc.**, El Segundo, CA
(US)

(**) Term: **14 Years**

(21) Appl. No.: **29/422,345**

(22) Filed: **May 18, 2012**

(51) **LOC (9) Cl.** **08-08**

(52) **U.S. Cl.**
USPC **D8/382; D8/386**

(58) **Field of Classification Search**
USPC D8/382, 385, 386, 349, 354, 356, 381;
248/200, 300; 63/2, 23; 24/3.1;
D11/200, 222

See application file for complete search history.

(56) **References Cited**

U.S. PATENT DOCUMENTS

D138,579 S * 8/1944 Wing D8/386
5,094,580 A * 3/1992 Abe 411/553
6,012,203 A * 1/2000 Baron Pearson 24/114.9
6,568,044 B1 * 5/2003 Kidd 24/104

D554,847 S 11/2007 Schmelzer et al.
7,698,836 B2 4/2010 Schmelzer et al.
8,011,206 B2 * 9/2011 Imai 63/23
8,122,519 B2 2/2012 Schmelzer et al.
D658,044 S * 4/2012 Cheng D8/382
D674,269 S * 1/2013 Siepel D8/354
2007/0084019 A1 * 4/2007 Wilcox et al. 24/3.1

* cited by examiner

Primary Examiner — Sheryl Lane

(74) *Attorney, Agent, or Firm* — Marc E. Hankin; Kevin Schraven; Hankin Patent Law, APC

(57) **CLAIM**

The ornamental design for a connector bit, as shown and described.

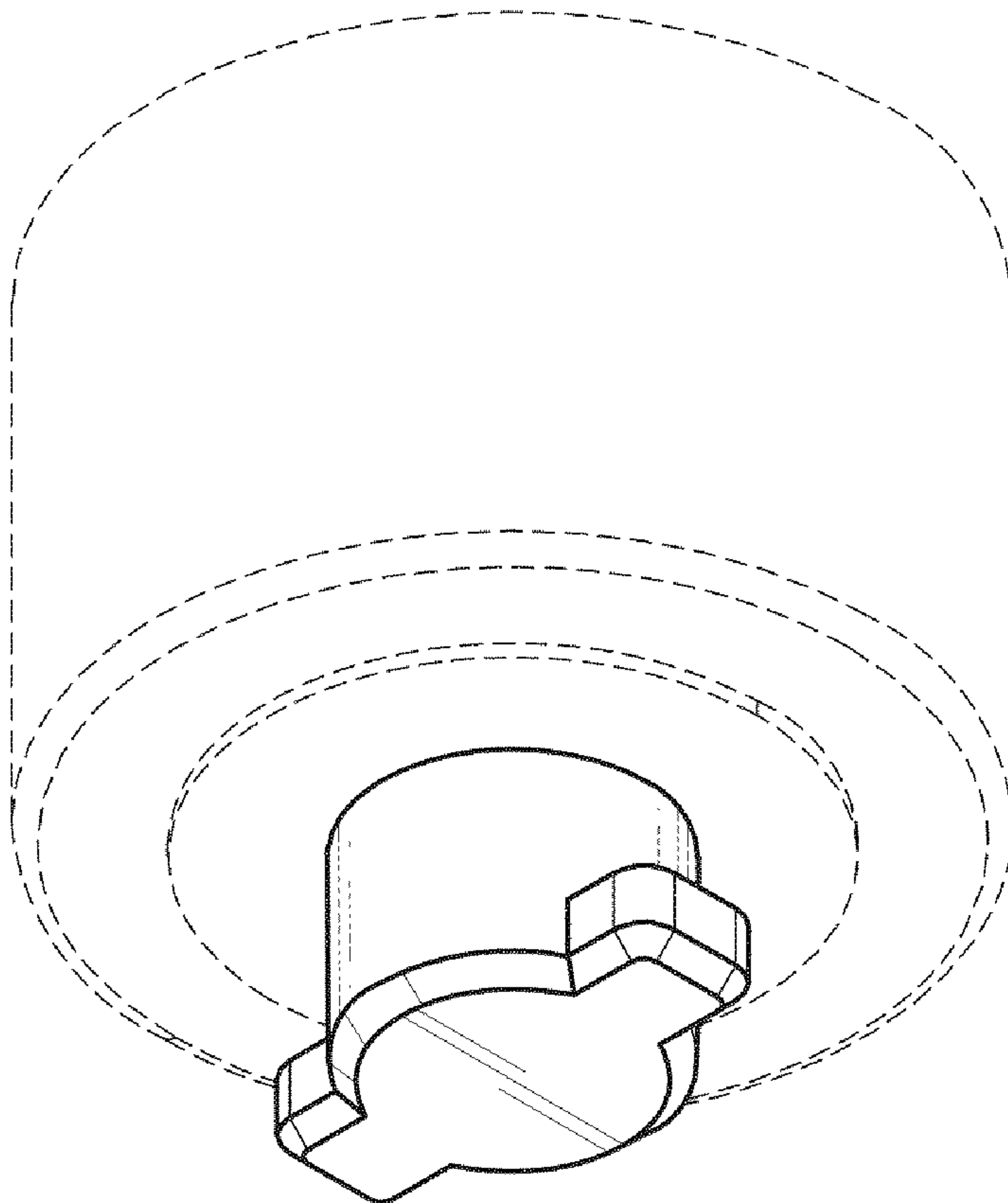
DESCRIPTION

FIG. 1 is a bottom perspective view of the connector bit.
FIG. 2 is a side elevation view of the connector bit.
FIG. 3 is another side elevation view of the connector bit; and,
FIG. 4 is a bottom elevation view of a connector bit.

The broken line portion of the figure drawings is included to show unclaimed subject matter only and forms no part of the claimed design.

Portions of the article not shown in the drawing form no part of the claimed design.

1 Claim, 2 Drawing Sheets



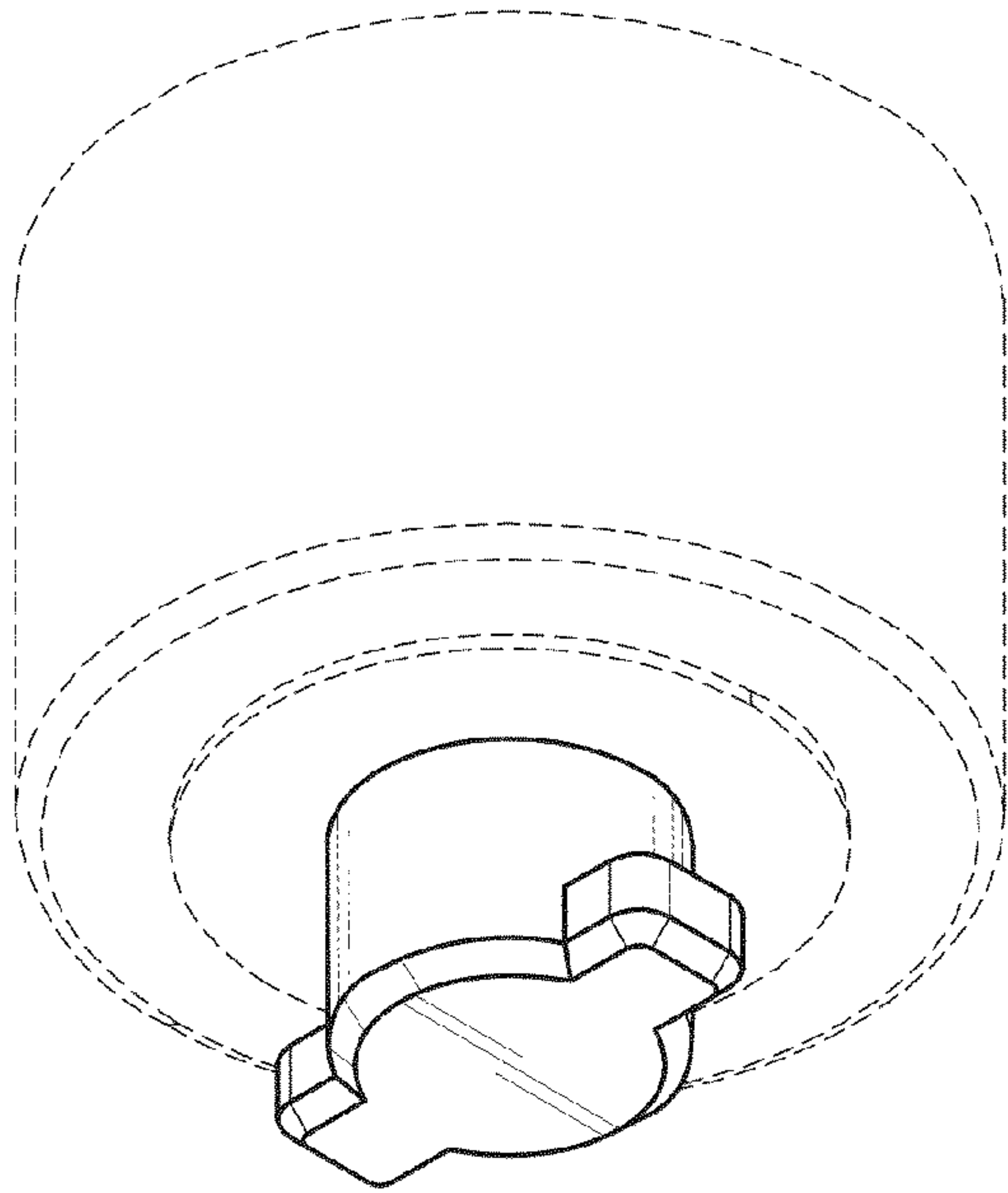


FIG. 1

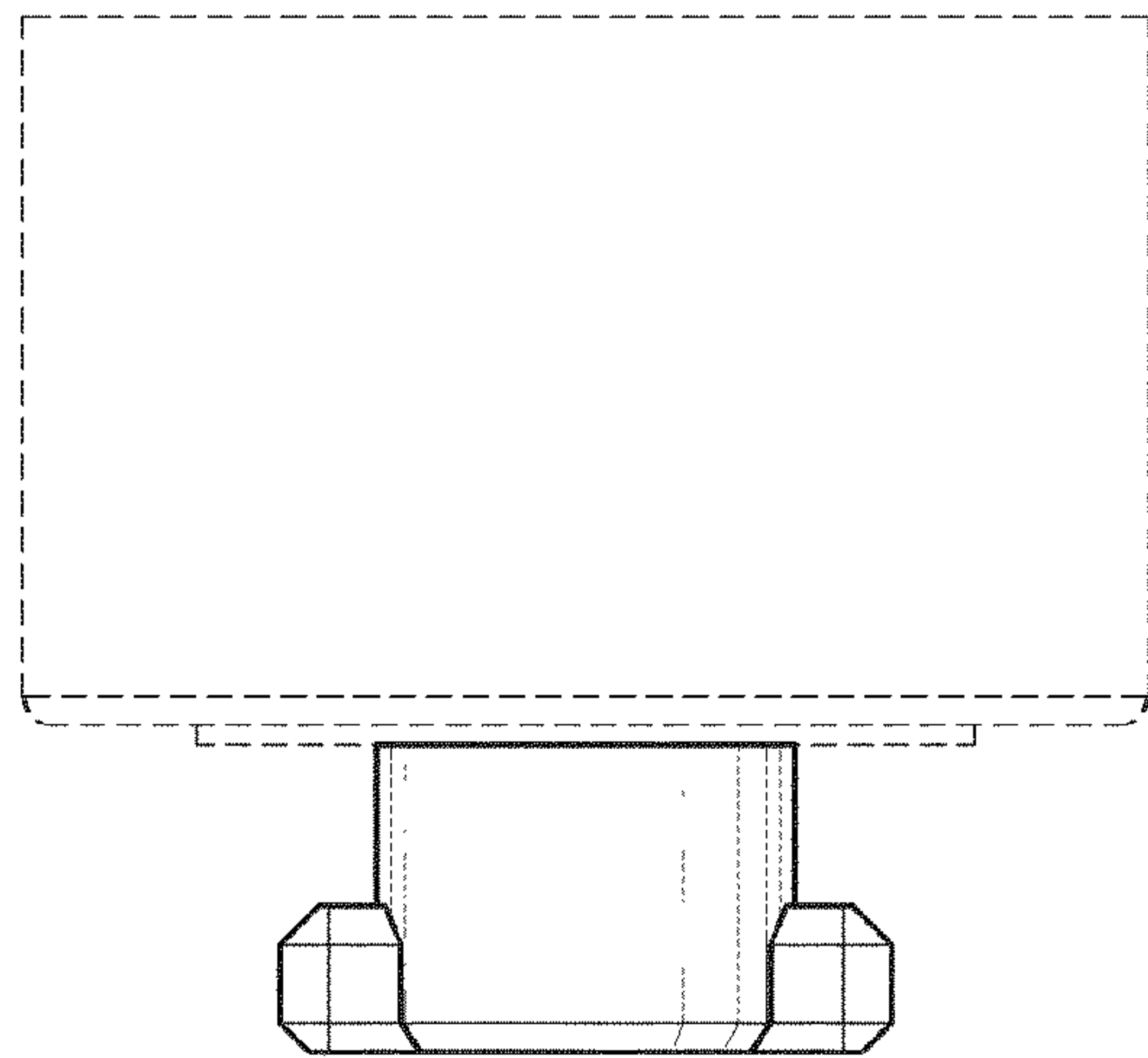


FIG. 2

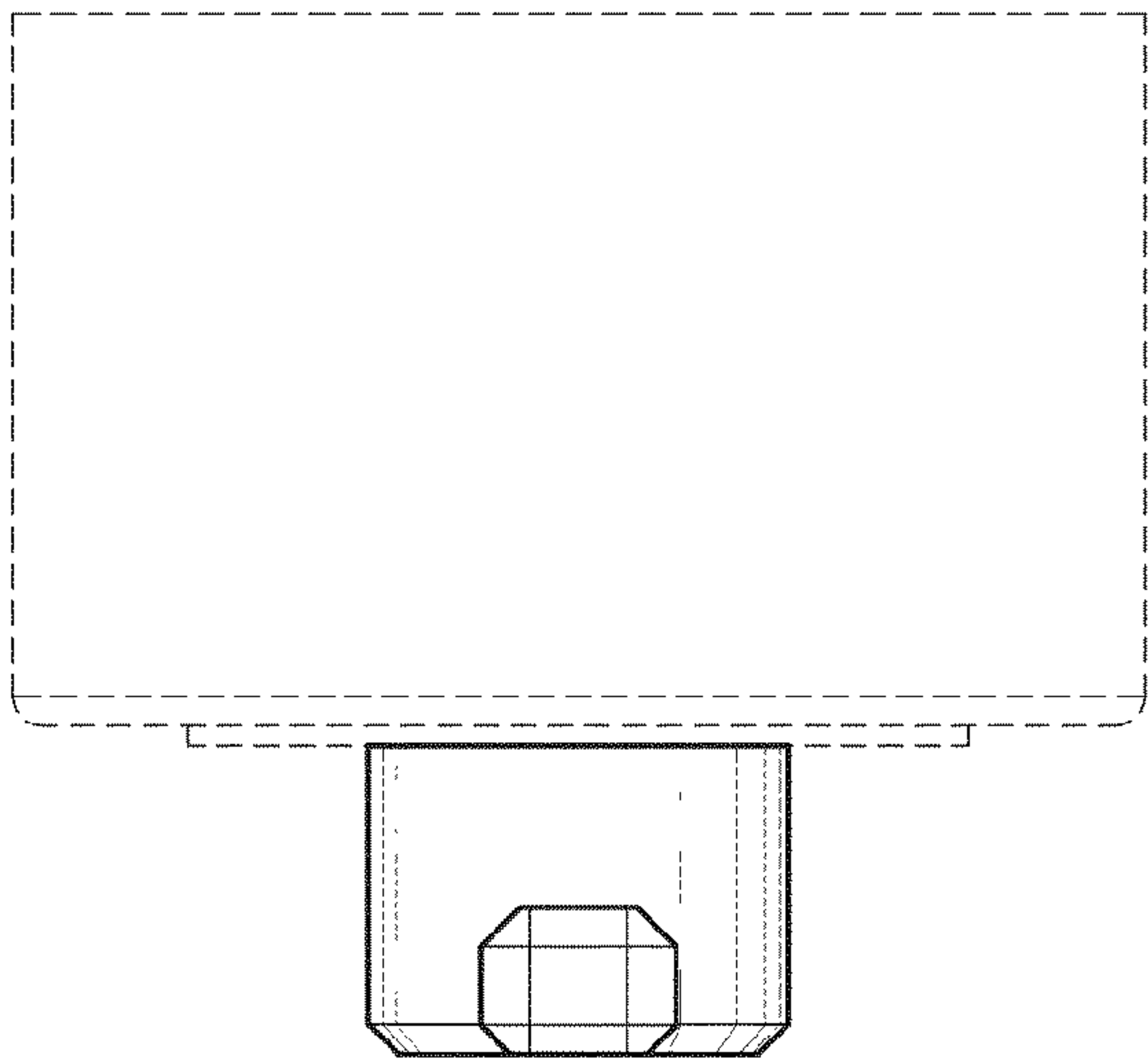


FIG. 3

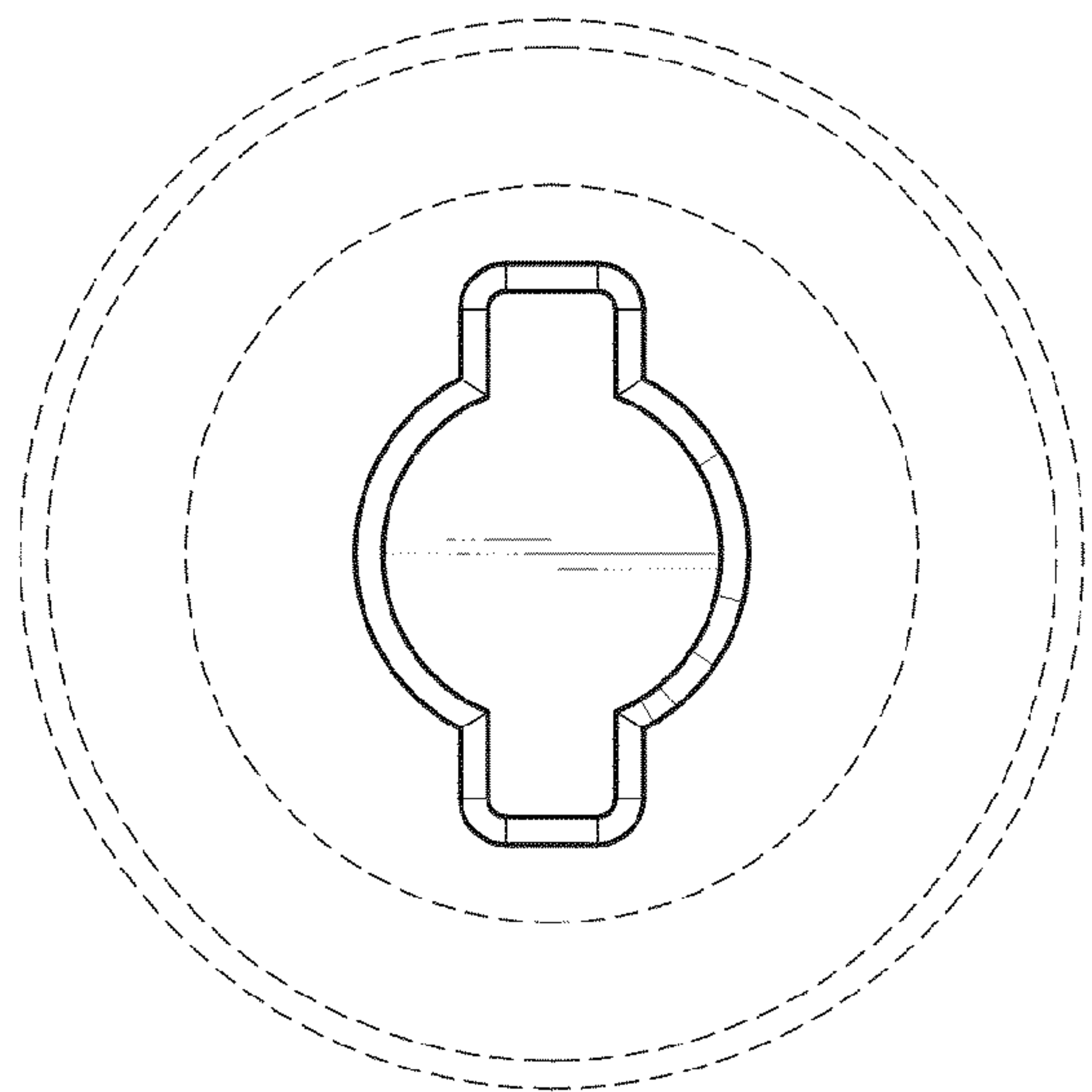


FIG. 4