

US00D695599S

(12) **United States Design Patent**
Rechberg et al.

(10) **Patent No.:** **US D695,599 S**
(45) **Date of Patent:** **** Dec. 17, 2013**

- (54) **DRAWER SLIDE CLOSING MECHANISM**
- (75) Inventors: **Frank H. Rechberg**, Corona, CA (US);
Jason A. Rechberg, Anaheim, CA (US)
- (73) Assignee: **Actron Manufacturing, Inc.**, Corona,
CA (US)
- (**) Term: **14 Years**
- (21) Appl. No.: **29/423,432**
- (22) Filed: **May 31, 2012**
- (51) **LOC (9) Cl.** **08-05**
- (52) **U.S. Cl.**
USPC **D8/377**
- (58) **Field of Classification Search**
USPC D8/377; 312/333, 334.13, 334.41,
312/334.44, 334.46, 334.8, 410
See application file for complete search history.

| | | |
|--------------|---------|---------------------------|
| 4,749,242 A | 6/1988 | Rechberg |
| 4,932,792 A | 6/1990 | Baxter |
| 4,988,214 A | 1/1991 | Clement |
| D317,687 S * | 6/1991 | Fabius et al. D6/429 |
| 5,207,781 A | 5/1993 | Rock |
| 5,316,389 A | 5/1994 | Hoffman |
| 5,466,060 A | 11/1995 | Hoffman |
| D365,315 S | 12/1995 | Parker, Jr. |
| 5,474,375 A | 12/1995 | Hollenstein et al. |
| 5,507,571 A | 4/1996 | Hoffman |
| 5,695,265 A | 12/1997 | Hoffman |
| 5,868,479 A | 2/1999 | Hoffman |
| 5,951,132 A | 9/1999 | Cirocco |
| 6,033,047 A | 3/2000 | Hoffman |
| 6,126,255 A | 10/2000 | Yang |
| 6,145,944 A | 11/2000 | Bayani et al. |

(Continued)

Primary Examiner — Holly Baynham

(74) *Attorney, Agent, or Firm* — Stetina Brunda Garred & Brucker

(57) **CLAIM**

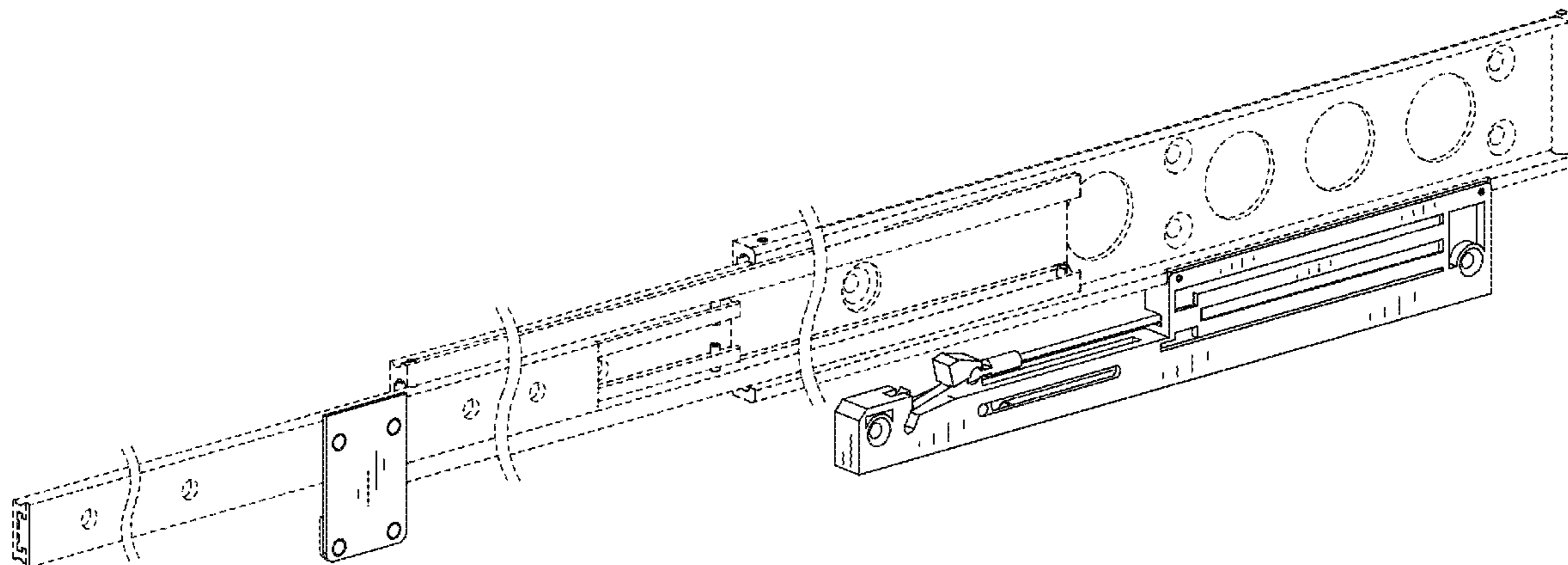
The ornamental design for a drawer slide closing mechanism, as shown and described.

DESCRIPTION

FIG. 1 is a front perspective view of the drawer slide closing mechanism of the present invention showing our new design, with the dotted lines depicting environmental structure and forming no part of the claimed design;
 FIG. 2 is a opposite side perspective view thereof;
 FIG. 3 is a top plan view of FIG. 1;
 FIG. 4 is an elevational view of FIG. 1;
 FIG. 5 is bottom plan view of FIG. 2;
 FIG. 6 is a side elevational view of FIG. 2;
 FIG. 7 is left end view of FIG. 6; and,
 FIG. 8 is a right end view of FIG. 6.
 The broken lines showing portions of the drawer slide are for the purposes of illustrating environment and form no part of the claimed design.

1 Claim, 3 Drawing Sheets

- (56) **References Cited**
U.S. PATENT DOCUMENTS
- | | | |
|--------------|---------|------------------------|
| 1,557,765 A | 10/1925 | Nicholas |
| 1,910,208 A | 5/1933 | Gronberg et al. |
| 2,547,513 A | 4/1951 | Wikman |
| 2,752,219 A | 6/1956 | Yonkers |
| 3,074,766 A | 1/1963 | Meyer |
| 3,059,986 A | 10/1963 | Miller, Jr. |
| 3,259,447 A | 7/1966 | Deutsch |
| 3,401,998 A | 9/1968 | Evans et al. |
| 3,589,778 A | 6/1971 | Olson |
| 3,773,395 A | 11/1973 | Antonaccio |
| 3,801,166 A | 4/1974 | York |
| 3,937,531 A | 2/1976 | Hagen et al. |
| 4,067,632 A | 1/1978 | Sekerich |
| D260,135 S * | 8/1981 | Fairbanks D8/377 |
| 4,423,914 A | 1/1984 | Vanderley |
| 4,441,772 A | 4/1984 | Fielding et al. |
| 4,469,384 A | 9/1984 | Fler et al. |
| 4,537,450 A | 8/1985 | Baxter |
| D291,636 S | 9/1987 | Rechberg |



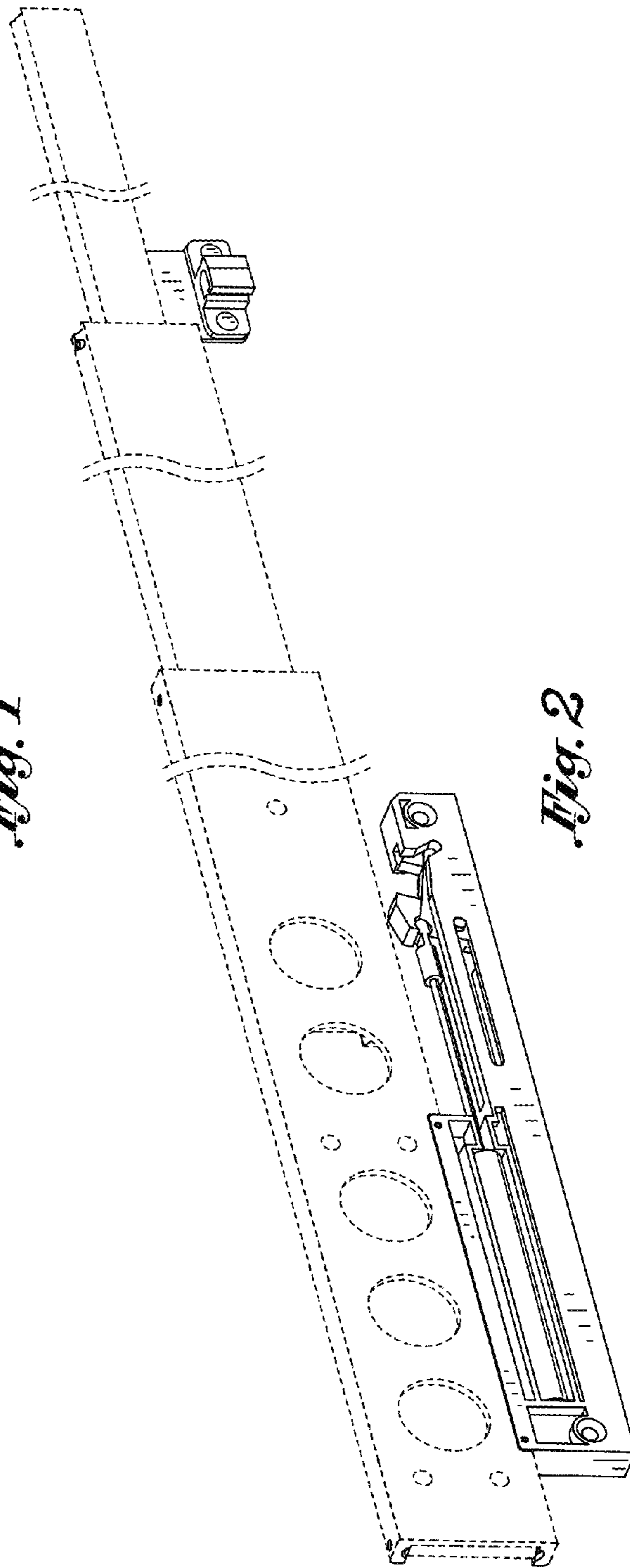
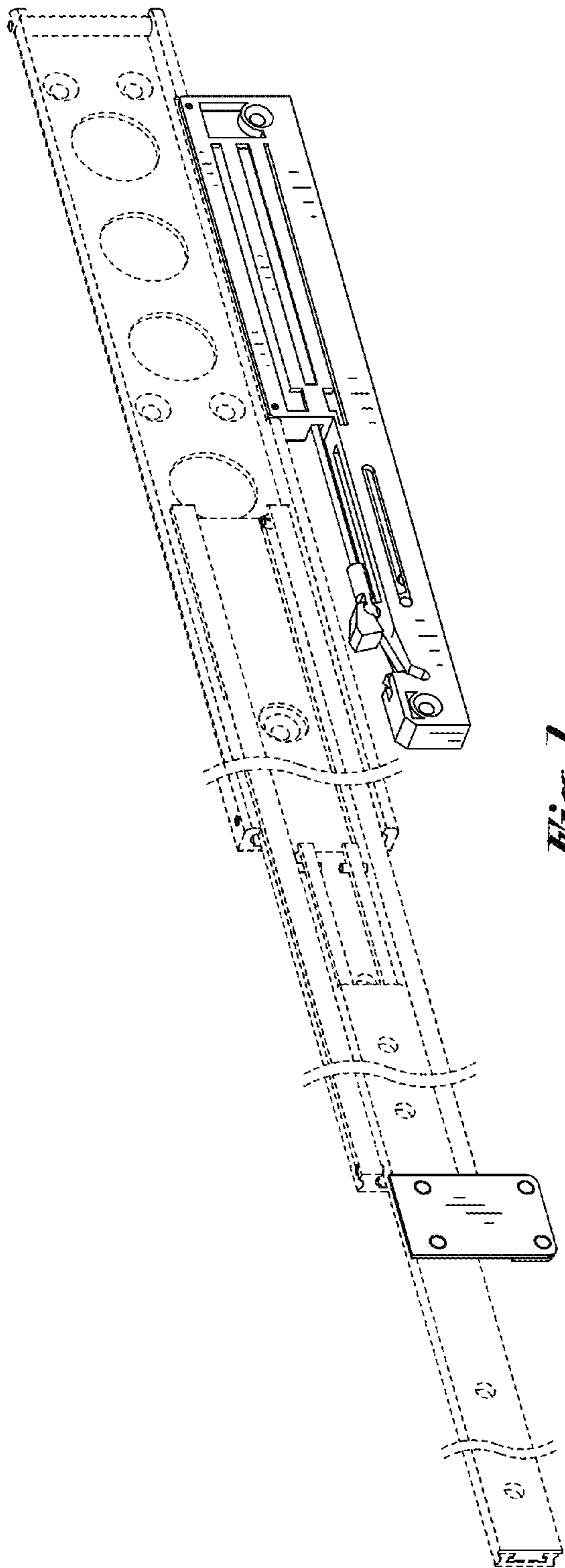
(56)

References Cited

U.S. PATENT DOCUMENTS

| | | | | | | | | |
|-----------|----|---------|-----------------|--------------|-----|---------|-----------------|--------------|
| 6,217,139 | B1 | 4/2001 | Henriott et al. | 6,979,067 | B2 | 12/2005 | Yang | |
| 6,220,683 | B1 | 4/2001 | Chu | 7,008,030 | B2 | 3/2006 | Yang | |
| 6,224,177 | B1 | 5/2001 | Chu | 7,029,080 | B2 | 4/2006 | Barry et al. | |
| 6,224,178 | B1 | 5/2001 | Cirocco | 7,090,319 | B2 | 8/2006 | Milligan et al. | |
| 6,244,678 | B1 | 6/2001 | Dopp et al. | D535,551 | S | 1/2007 | Milligan | |
| 6,435,636 | B1 | 8/2002 | MacMillan | 7,374,260 | B2 | 5/2008 | Lu | |
| 6,460,954 | B1 | 10/2002 | Bayani et al. | 7,404,611 | B1 | 7/2008 | Que | |
| 6,705,689 | B2 | 3/2004 | Chen et al. | 7,513,582 | B2 | 4/2009 | Yoon et al. | |
| 6,824,233 | B2 | 11/2004 | Chen et al. | 7,537,296 | B2 | 5/2009 | Leon et al. | |
| 6,854,816 | B2 | 2/2005 | Milligan | D640,123 | S * | 6/2011 | Stearns et al. | D8/355 |
| 6,860,575 | B2 | 3/2005 | Chen et al. | 8,132,873 | B2 | 3/2012 | Yang | |
| 6,926,377 | B2 | 8/2005 | Lammens et al. | 2003/0071548 | A1 | 4/2003 | Milligan | |
| | | | | 2007/0114896 | A1 | 5/2007 | Orita | |
| | | | | 2007/0241651 | A1 | 10/2007 | Burgess et al. | |
| | | | | 2008/0218046 | A1 | 9/2008 | Rechberg | |

* cited by examiner



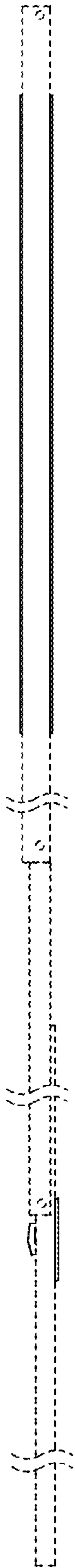


Fig. 3

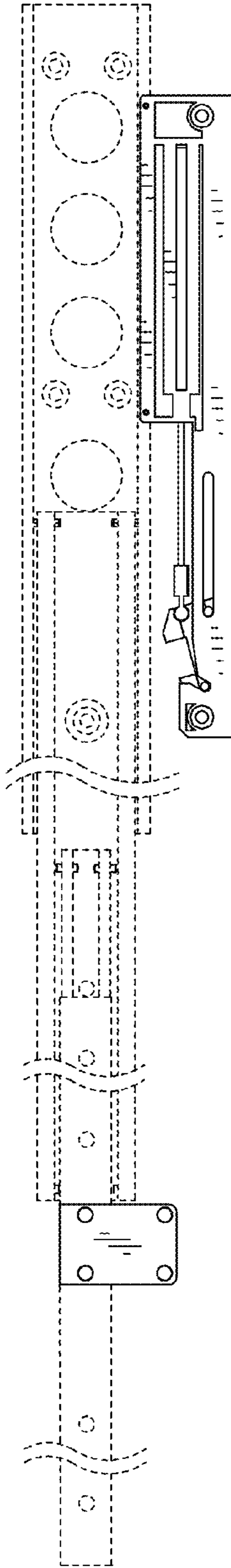


Fig. 4

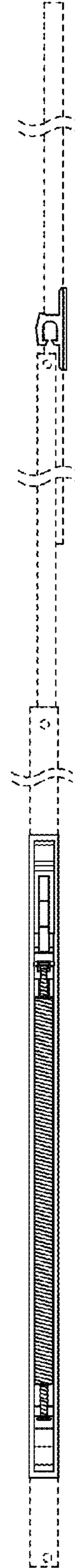


Fig. 5

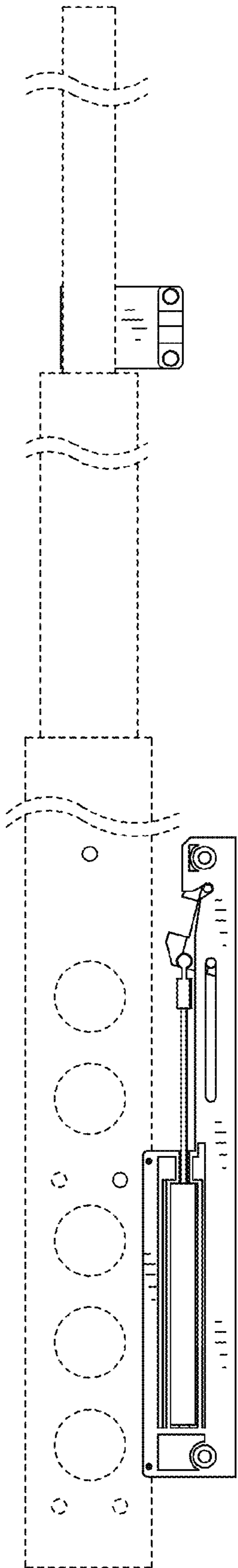


Fig. 6

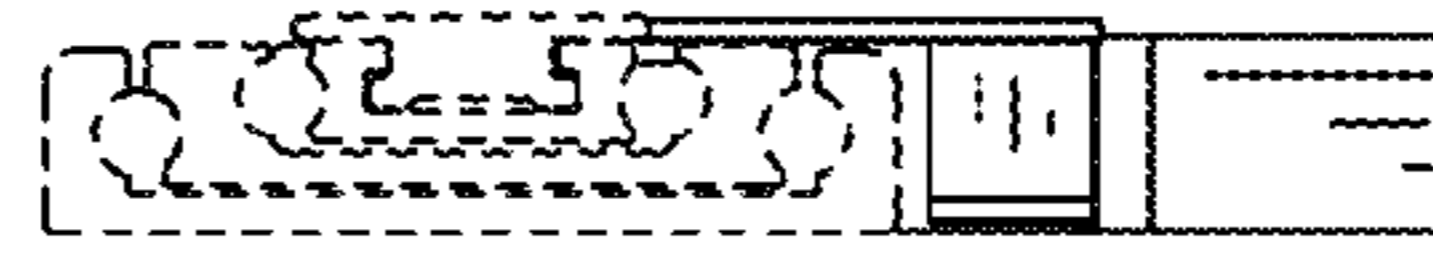


Fig. 7

Fig. 8

