



US00D695597S

(12) **United States Design Patent**  
**Haslam**

(10) **Patent No.:** **US D695,597 S**

(45) **Date of Patent:** **\*\* Dec. 17, 2013**

- (54) **EQUINE SAFETY HOOK**
- (71) Applicant: **Equestrian Safety Products, LLC**,  
Milton, GA (US)
- (72) Inventor: **Danielle Haslam**, Milton, GA (US)
- (73) Assignee: **Equestrian Safety Products, LLC**,  
Milton, GA (US)
- (\*\*) Term: **14 Years**
- (21) Appl. No.: **29/450,596**
- (22) Filed: **Mar. 20, 2013**

7,748,673	B2	*	7/2010	Barrese	.....	248/215
D636,456	S	*	4/2011	Hatfield	.....	D22/144
D637,833	S	*	5/2011	Russell	.....	D6/405
D641,231	S	*	7/2011	Stinson	.....	D8/367
D644,088	S	*	8/2011	Gallaty	.....	D8/354
D646,960	S	*	10/2011	Goodman et al.	.....	D8/372
D669,762	S	*	10/2012	Miekina	.....	D8/356
D671,617	S	*	11/2012	Martin	.....	D22/144
D680,421	S	*	4/2013	Martin et al.	.....	D8/372

\* cited by examiner

*Primary Examiner* — Cynthia Underwood

(74) *Attorney, Agent, or Firm* — Adam K. Sacharoff

(57) **CLAIM**

The ornamental design for a equine safety hook, as shown and described.

**Related U.S. Application Data**

- (62) Division of application No. 29/393,927, filed on Jun. 10, 2011, now Pat. No. Des. 682,077.
- (51) **LOC (9) Cl.** ..... **08-05**
- (52) **U.S. Cl.**  
USPC ..... **D8/372**
- (58) **Field of Classification Search**  
USPC ..... D8/367, 353, 354, 349, 356, 352, 351,  
D8/381, 372; D6/323; 248/301, 304, 214,  
248/215, 508, 354.7, 340, 302; D21/662;  
294/143; 211/118; 16/87.2, 87.8, 330;  
24/DIG. 11; 402/79; D22/144  
See application file for complete search history.

**DESCRIPTION**

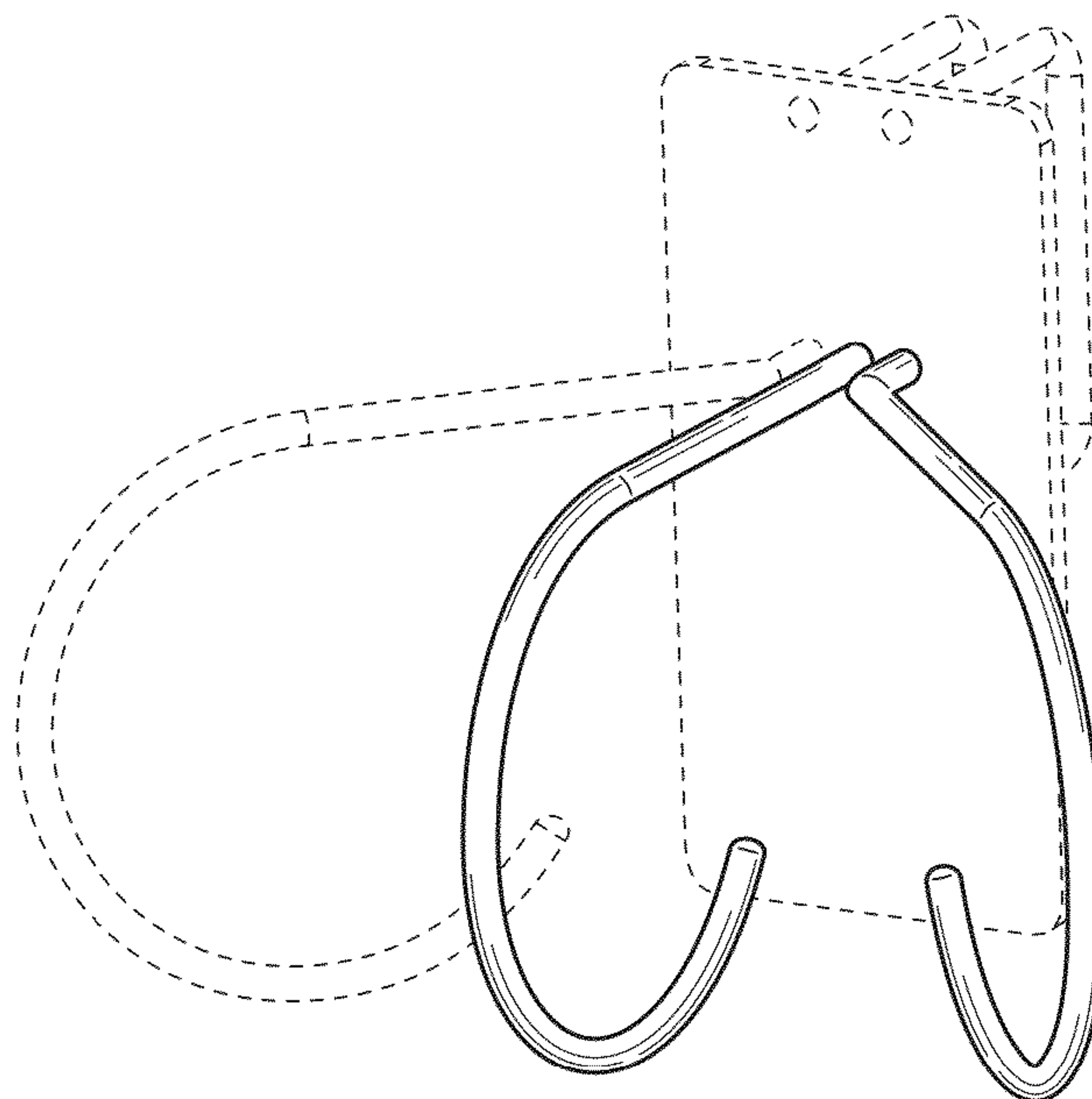
FIG. 1 is a to side perspective view of an equine safety hook in accordance with the present invention;  
 FIG. 2 is a left side view of the equine safety hook from FIG. 1;  
 FIG. 3 is a right side view of the equine safety hook from FIG. 1;  
 FIG. 4 is a front side view of the equine safety hook from FIG. 1;  
 FIG. 5 is a back side view of the equine safety hook from FIG. 1;  
 FIG. 6 is a top side view of the equine safety hook from FIGS. 1; and,  
 FIG. 7 is a bottom side view of the equine safety hook from FIG. 1.  
 The broken lines showing are for the purpose of illustrating portions of the environmental structure and forms no part of the claimed design.

(56) **References Cited**

**U.S. PATENT DOCUMENTS**

1,676,197	A	*	7/1928	Marrinan	.....	52/156
D375,539	S	*	11/1996	Chu	.....	D22/144
D515,657	S	*	2/2006	Ljungstrom	.....	D22/144

**1 Claim, 3 Drawing Sheets**



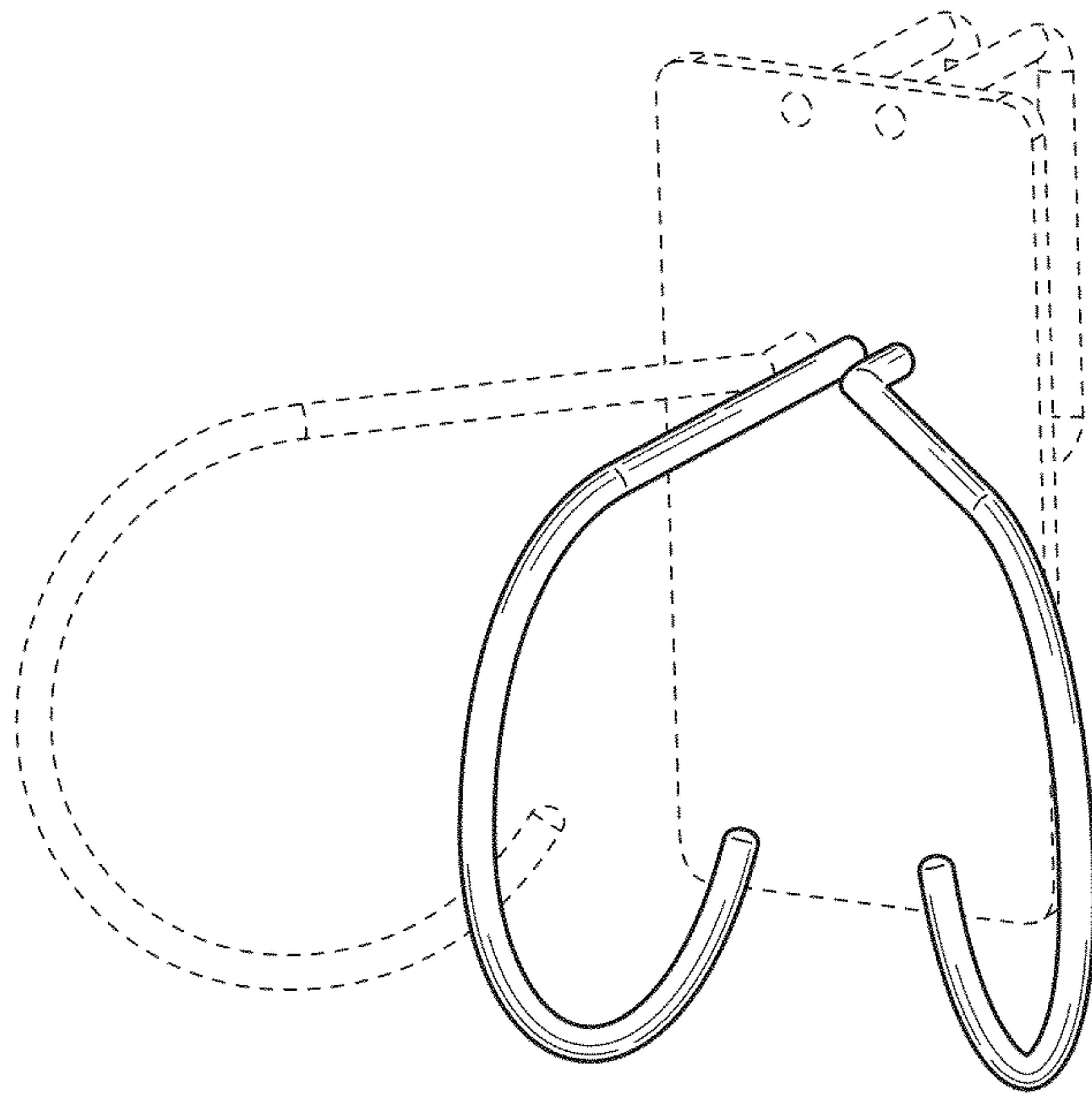


FIG. 1

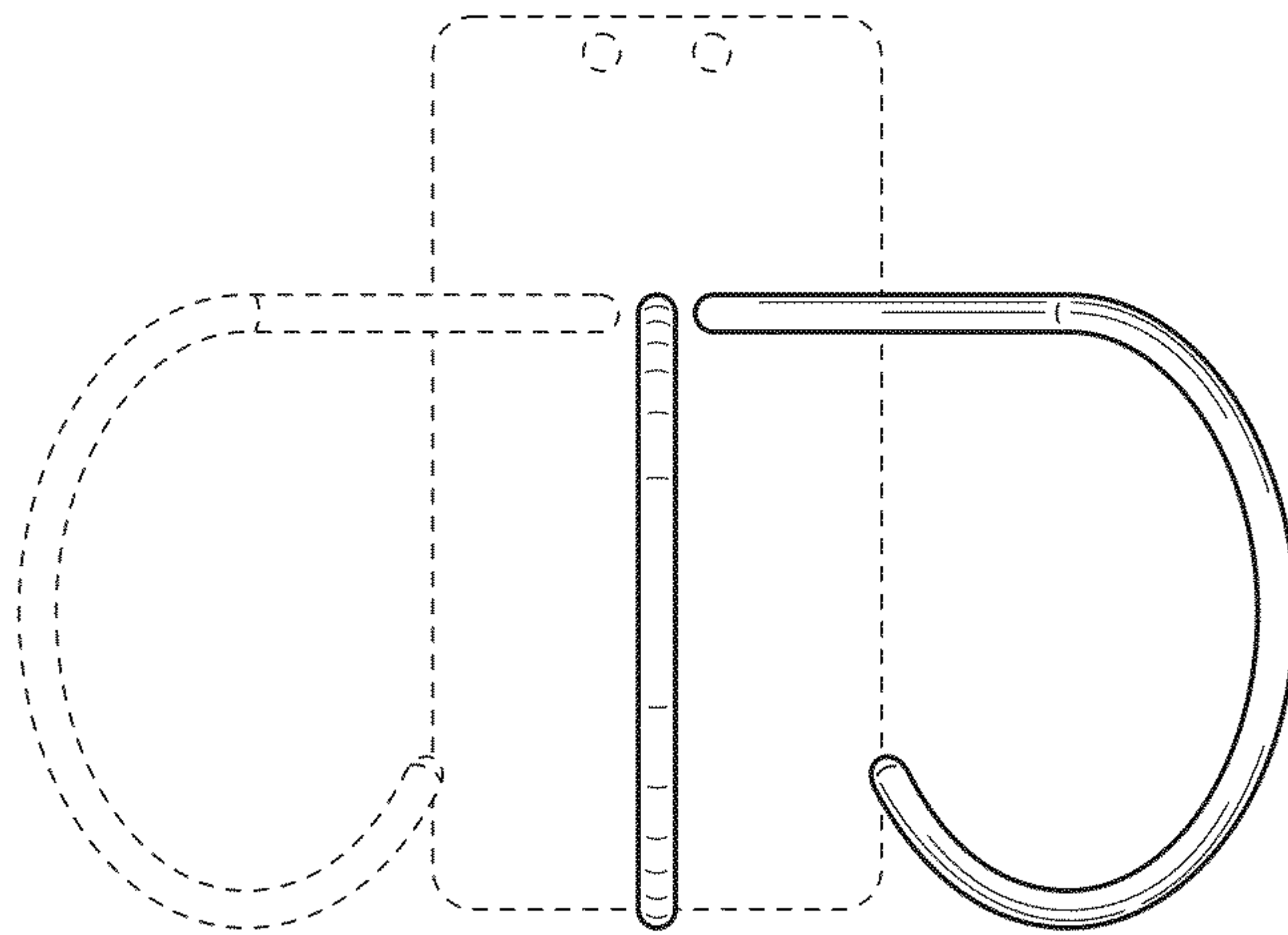


FIG. 2

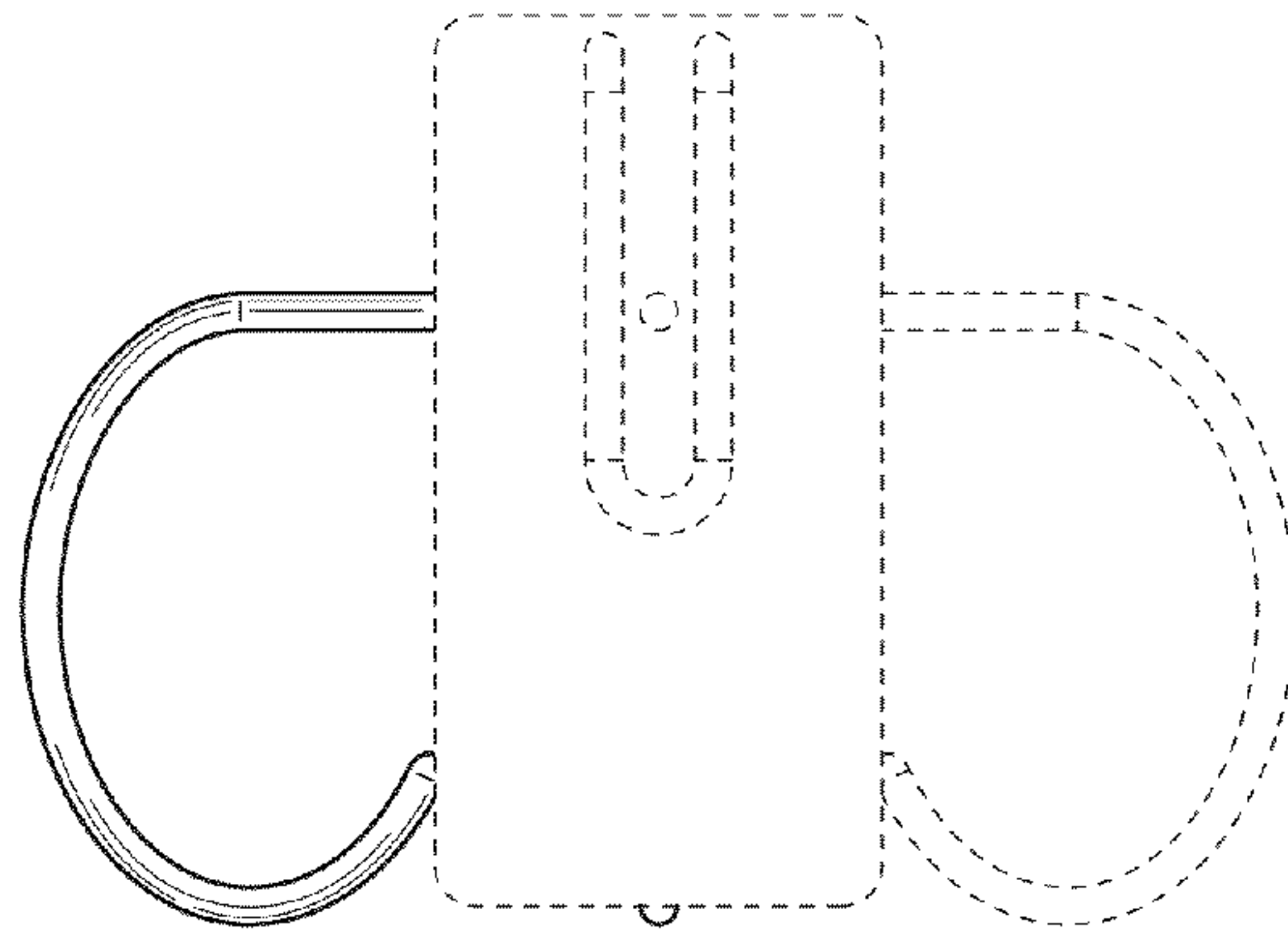


FIG. 3

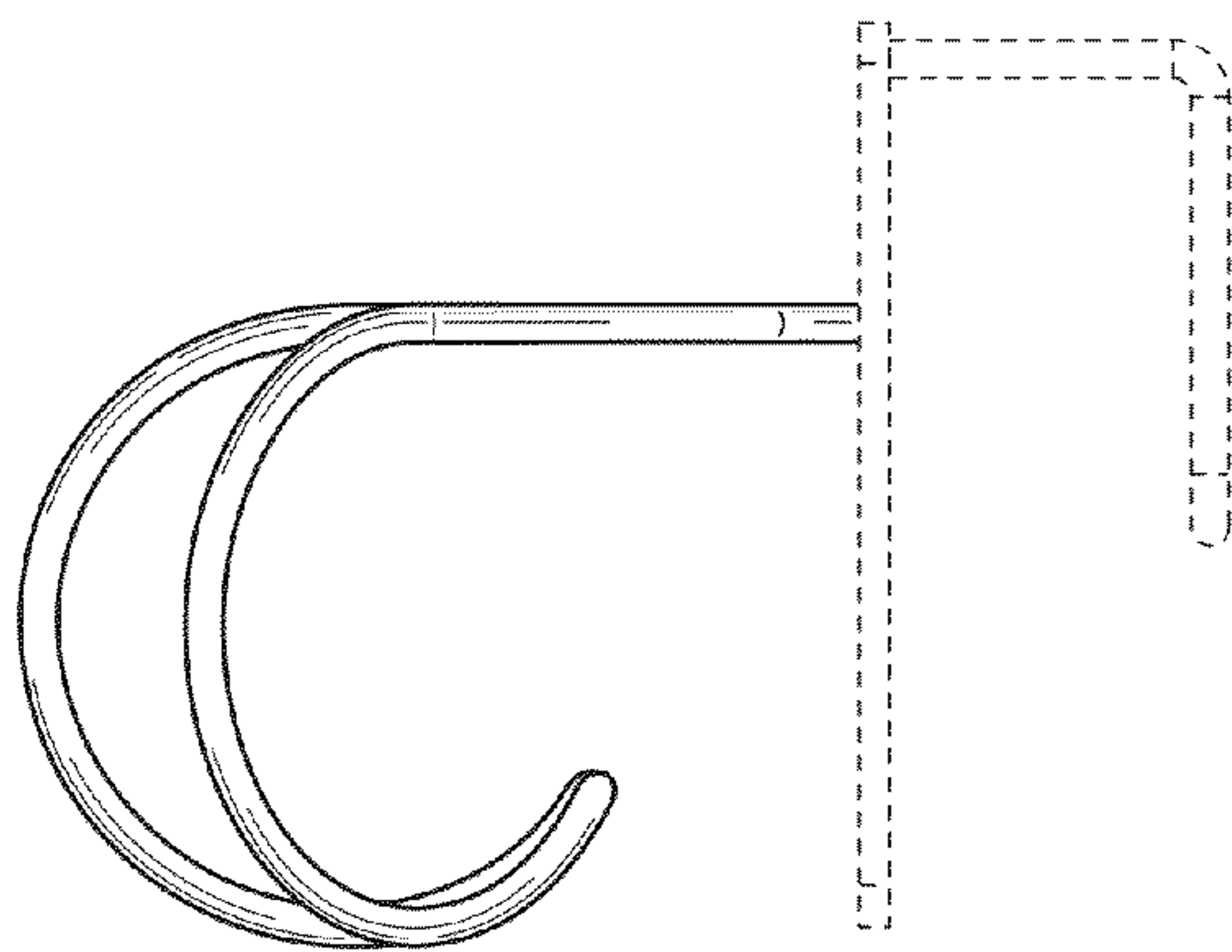


FIG. 4

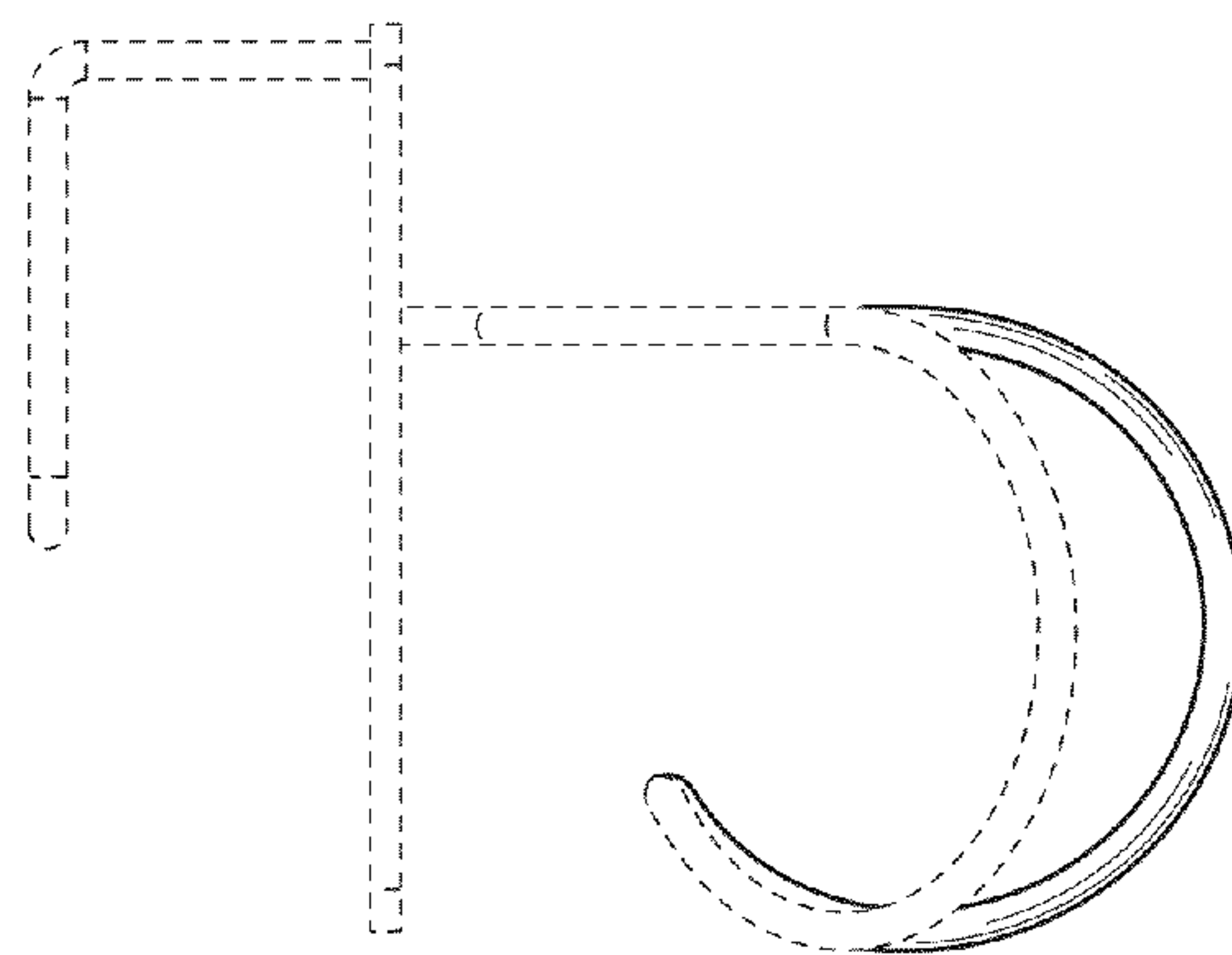


FIG. 5

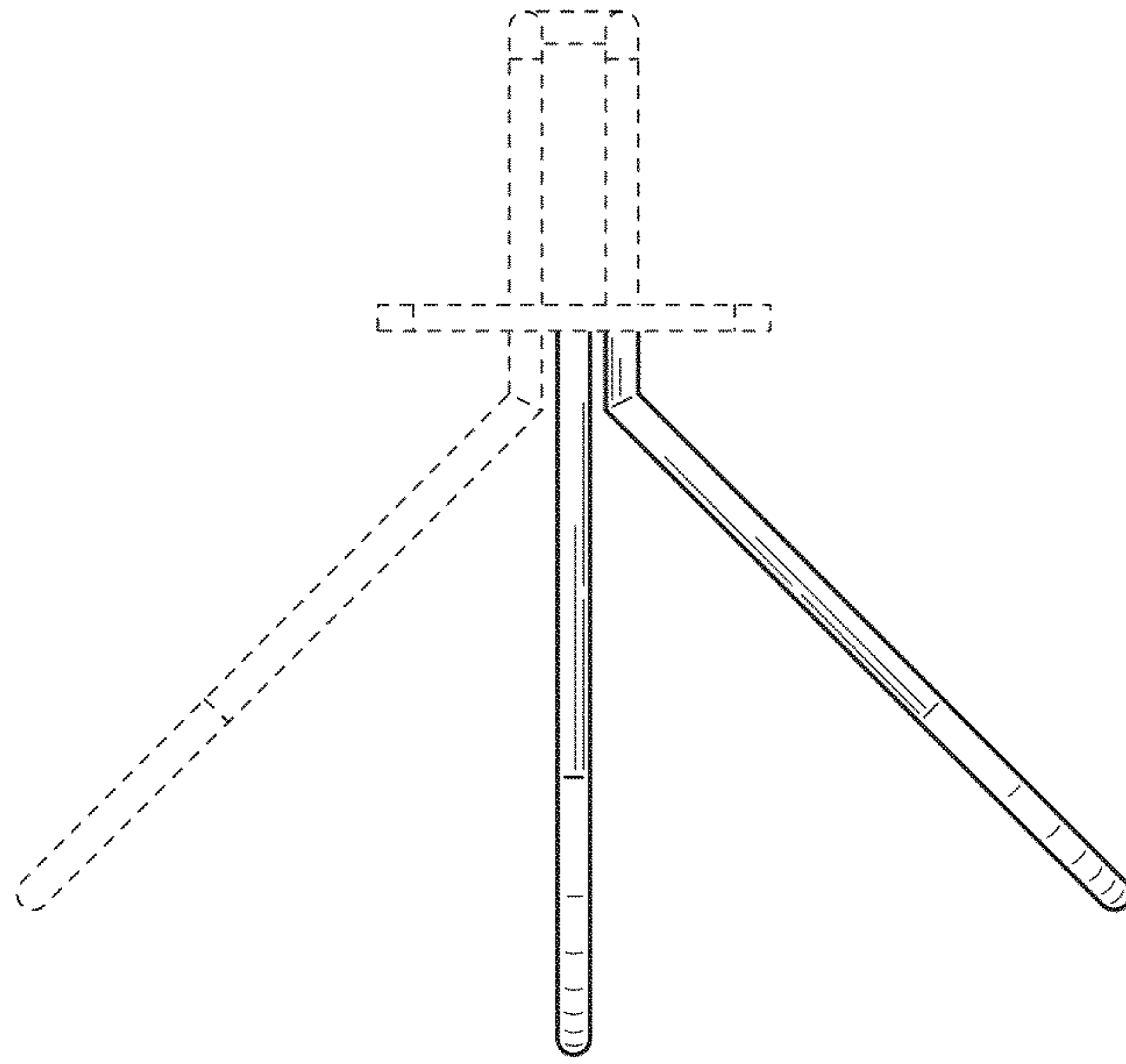


FIG. 6

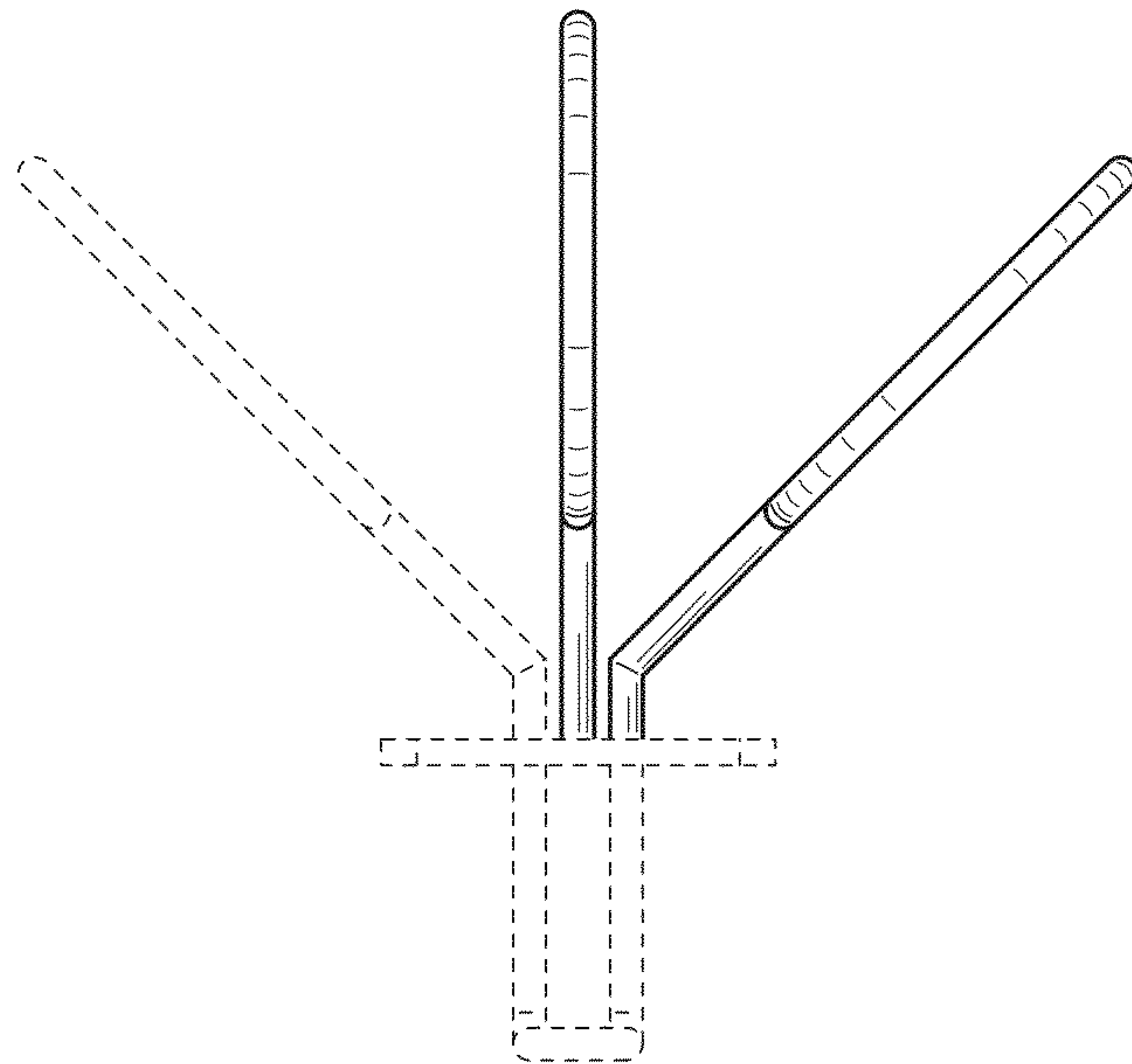


FIG. 7